

The anchor sling, wrapped around a beam, provides an anchorage attachment point capable of supporting a load of 5,000 lbs. (22.2 kN).

For abrasion protection, a webbing liner is fixed on the entire length of the sling to protect it from sharp edges and to prolong its life. Where edges are extremely sharp, it is recommended to use pads.

For further information, refer to the “Use and Maintenance Instructions” for anchor slings.

WARNING

Always select an anchorage point that is rigid and capable of supporting 5,000 lbs. (22.2 kN) per person attached.

APPLICABLE STANDARDS

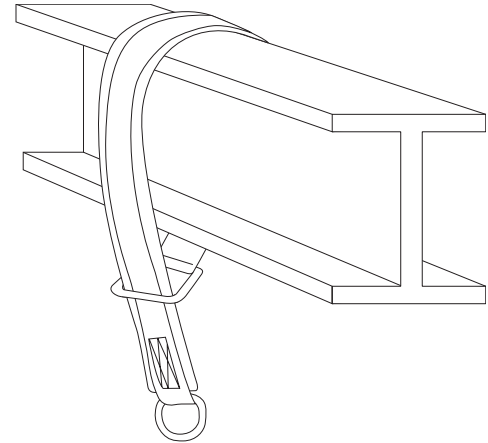
- Manufactured in accordance with ANSI, OSHA and CSA requirements.
- Meets and/or exceeds 5,000 lbs. (22.2 kN) strength requirements for anchorage point.
- Ask customer service for specific standards as federal, state, local or provincial regulations may differ.

SIZES

- Point

AVAILABLE MODELS

- **V4136** 15 in. (0.4 m) anchor sling, rated 5,000 lbs. (22.2 kN)
- **V4135** 3 ft. (0.9 m) anchor sling, rated 5,000 lbs. (22.2 kN)
- **V4165** 6 ft. (1.8 m) anchor sling, rated 5,000 lbs. (22.2 kN)



PARTS	SPECIFICATIONS
SLING WEBBING	Polyester webbing Width: 1¾ in. (45 mm) Thickness: ¼ in. (1.4 mm) Tensile strength: 5,700 lbs. (25.4 kN) Webbing is heat-cut to prevent fraying.
PROTECTIVE WEBBING	Nylon webbing Width: 3 in. (76 mm) Thickness: ⅝ in. (2 mm) Webbing is heat-cut to prevent fraying.
STITCHING	Sling is lock-stitched. Thread: #207, #138 polyester
3 IN. (76 MM) D-RING SINGLE BAR	Plating: zinc dichromate Proof-loaded 100% at 3,600 lbs. (16 kN) Tensile strength: 5,000 lbs. (22.2 kN)
4 IN. (102 MM) D-RING SINGLE BAR	Plating: zinc dichromate Proof-loaded 100% at 3,600 lbs. (16 kN) Tensile strength: 5,000 lbs. (22.2 kN)
CAPACITY	386 lbs. (175 kg), one person