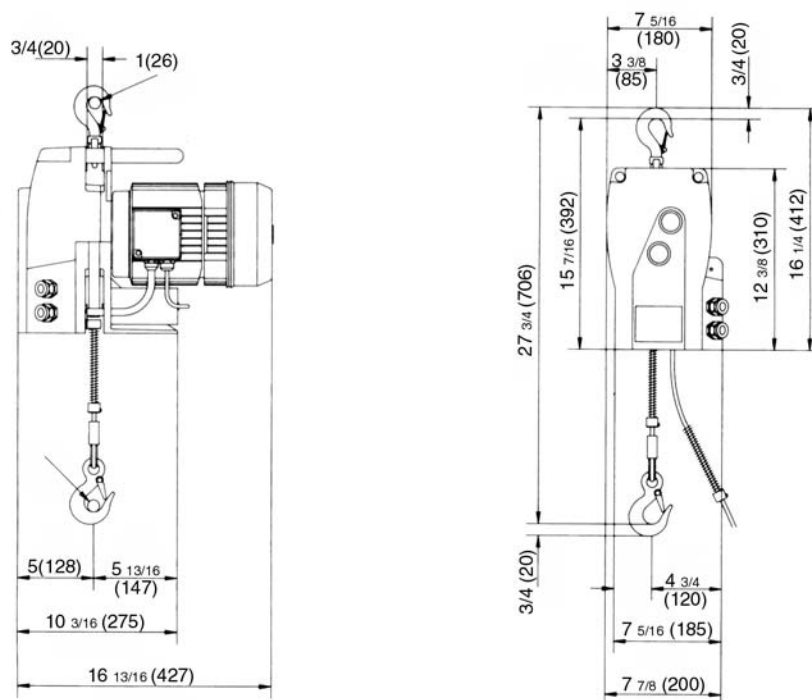


- Meets ANSI ASME B30.16
- Integral handle for easy carrying;
- unlimited lift potential, adapted to most job sites;
- easy and fast setup;
- swiveling suspension hook for efficient operation;
- advantageous weight / power ratio;
- reduced maintenance.

**Operation Safety**

- upper and lower limit switches
- brake motor
- pendant control with emergency stop

Dimensions in. (mm)



MODEL	UNIT	TR 30S			TR50		
		Single phase		Three phase*	Single phase		Three phase*
Capacity (rated load)	lbs. (kg)	660 (300)			1,000 (500)		
Speed of lift	fpm (m/min.)	43 (13)			23 (7)		
Voltage -10% +5%	V	110	220*	220*	110	220*	220*
Motor power	kW	1.1	1.1	1.1	1.1	1.1	1.1
Control voltage	V	115	230	230	115	230	230
Amperage	A	38	20	18	38	20	18
Power required for a generator	KVA	5					
Duty cycle	%	40					
Dimensions of hoists	in. (mm)	16-13/16 x 7-7/8 x 16-1/8 (427 x 200 x 412)					
Weight of hoist	lbs. (kg)	71 (32)					
Wire rope diameter	in. (mm)	1/4 (6.5)					
Wire rope const.		5 x 19 Warrington scale					
Weight of wire rope	lbs./ft. (kg/m)	0.11 (0.17)					
Minimum wire rope breaking strength – factor 5	lbs. (daN)	5,500 (2,500)					

\* Model available on request only, not a stock item.