

**minifor™**
**TR 10 / TR 30 / TR 30S / TR 50 / TR 55 / TR 110**

Installation, operating and maintenance manual	<b>English</b> Original manual	<b>GB</b>
Manuel d'installation d'emploi et d'entretien	<b>Français</b> Traduction de la notice originale	<b>FR</b>
Installations-, Gebrauchs- und Wartungsanleitung	<b>Deutsch</b> Übersetzung der Originalanleitung	<b>DE</b>
Handleiding voor installatie, gebruik en onderhoud	<b>Nederlands</b> Vertaling van de oorspronkelijke handleiding	<b>NL</b>
Manual de instalación, de utilización y de mantenimiento	<b>Español</b> Traducción del manual original	<b>ES</b>
Manuale d'installazione, d'impiego e di manutenzione	<b>Italiano</b> Traduzione del manuale originale	<b>IT</b>
Manual de instalação, de uso e de manutenção	<b>Português</b> Tradução do manual original	<b>PT</b>

**GB** *Electric hoists, wire rope feed-through type*

**FR** *Treuil électrique à câble passant*

**DE** *Motorseilzug mit durchlaufendem Seil*

**NL** *Elektrische lier met doorgaande kabel*

**ES** *Torno eléctrico de cable pasante*

**IT** *Argano elettrico a cavo passante*

**PT** *Guinchos eléctricos de cabo passante*

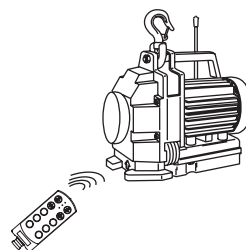
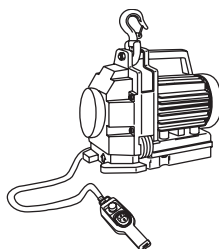
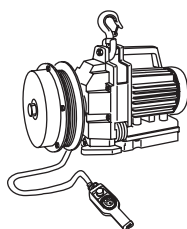
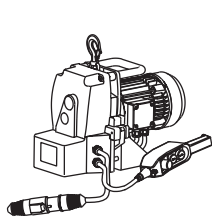


Fig. 1

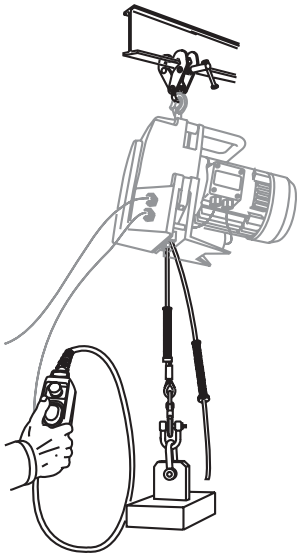


Fig. 3

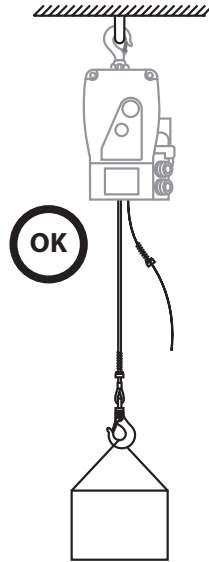


Fig. 2

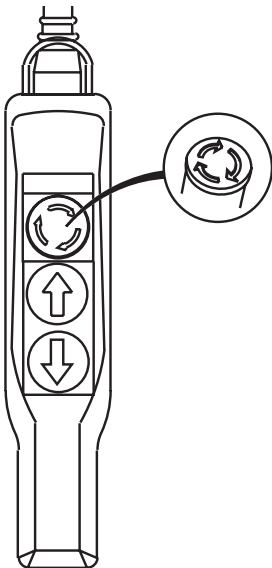


Fig. 4

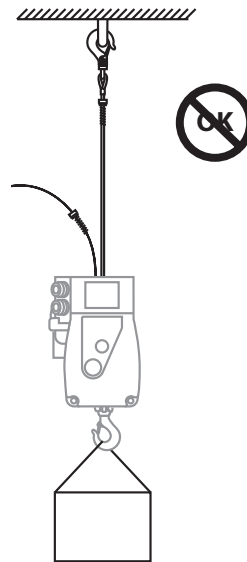


Fig. 5

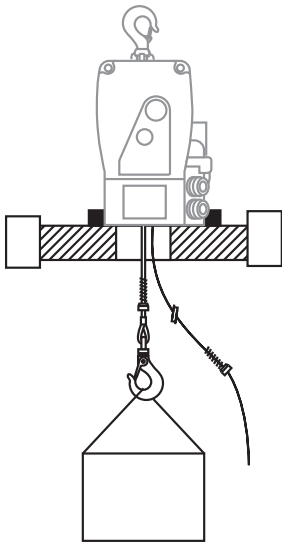


Fig. 7

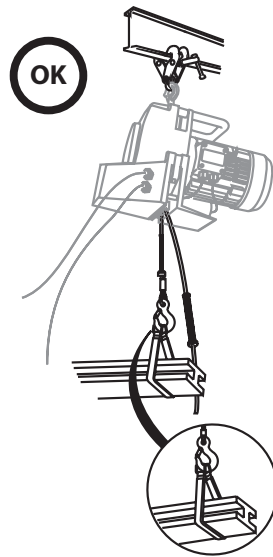


Fig. 6

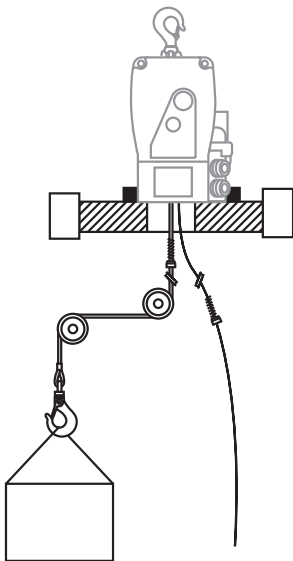


Fig. 8

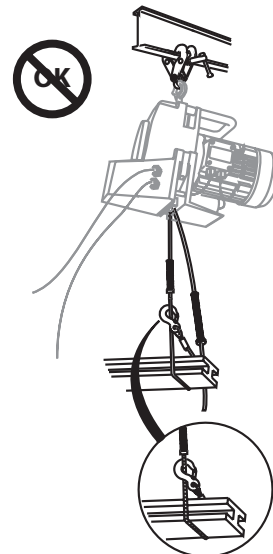


Fig. 9

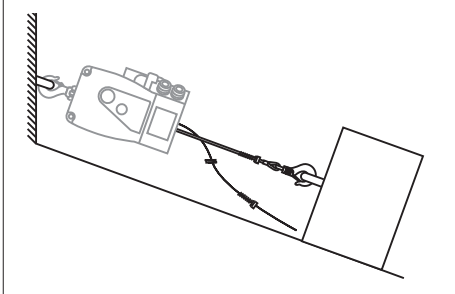


Fig. 10

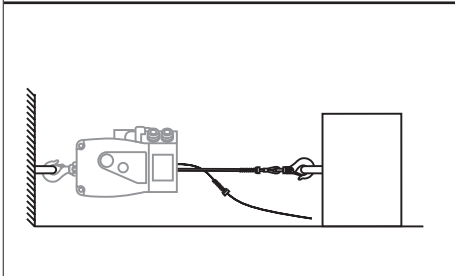


Fig. 11

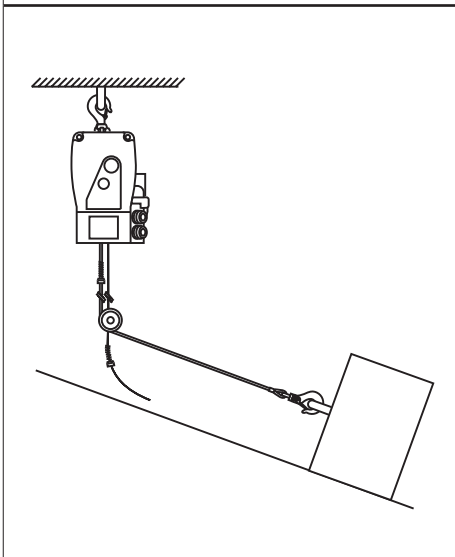


Fig. 12

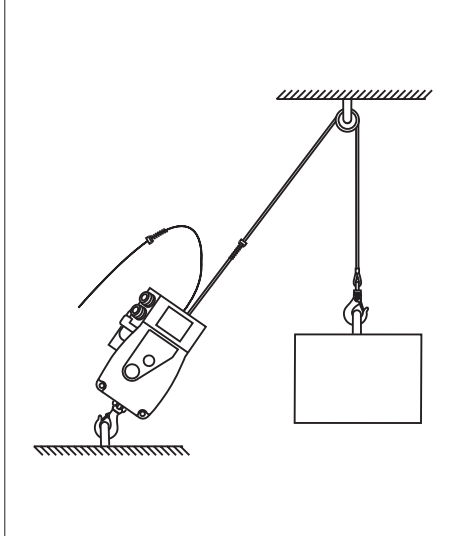


Fig. 13

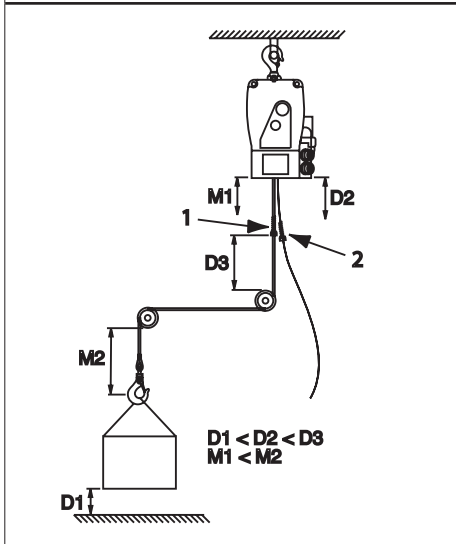


Fig. 14

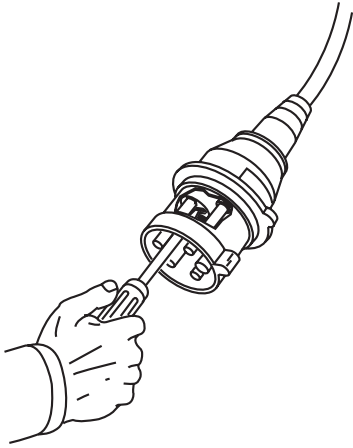


Fig. 15

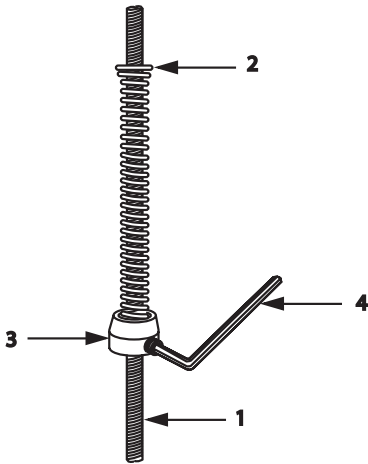


Fig. 16

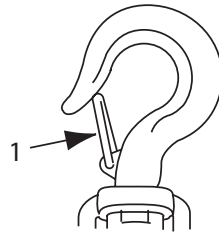


Fig. 17

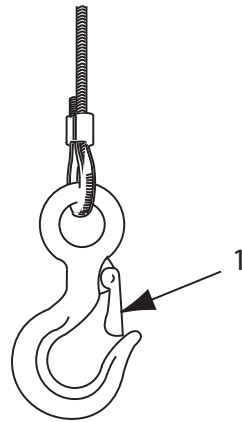


Fig. 18

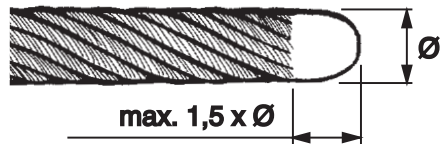


Fig. 19

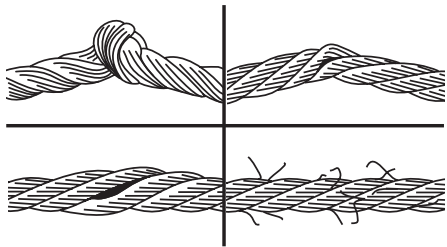


Fig. 20

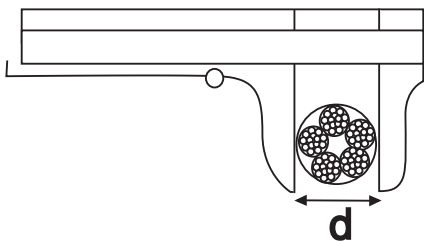


Fig. 21

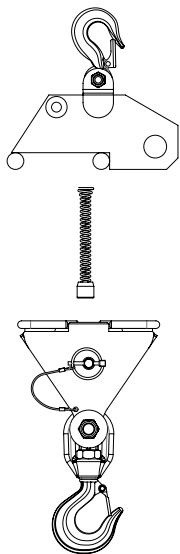


Fig. 22

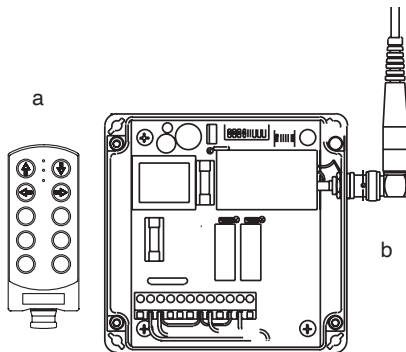


Fig. 23

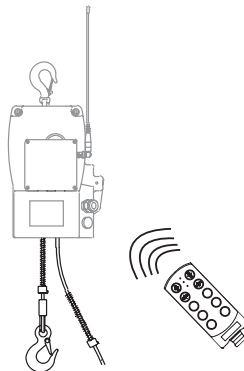


Fig. 24

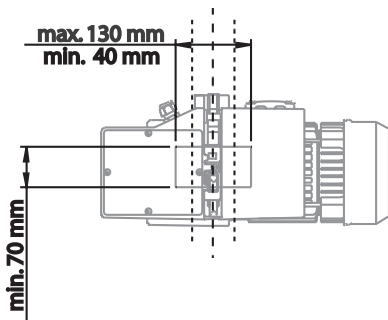


Fig. 25

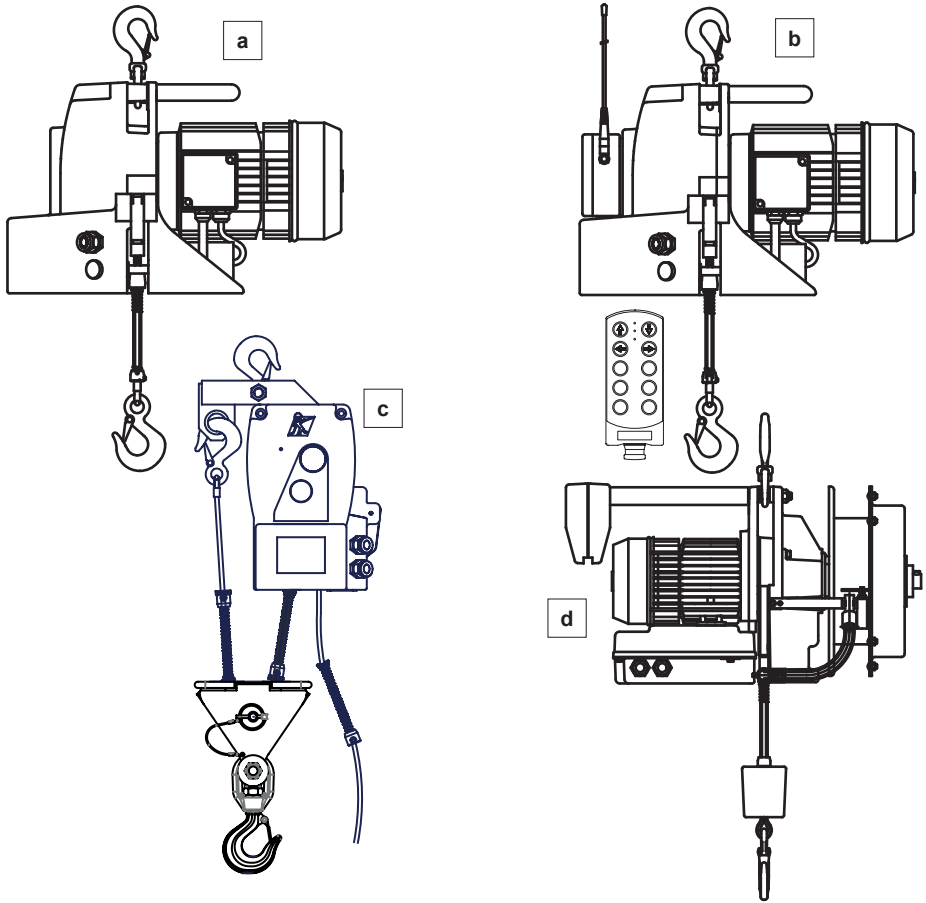
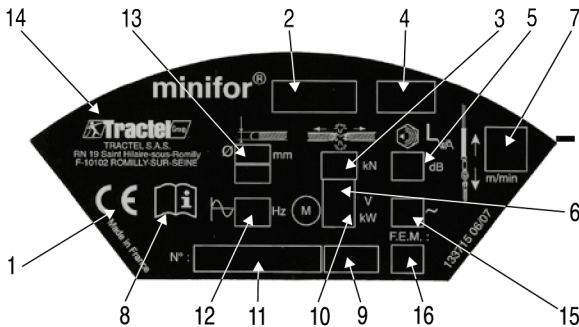
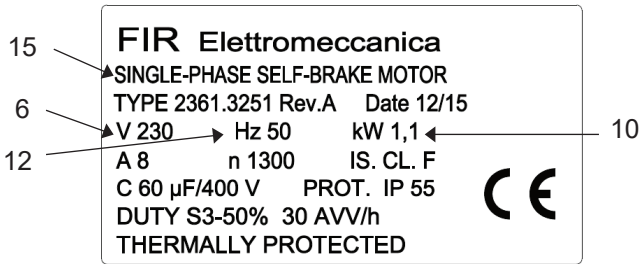
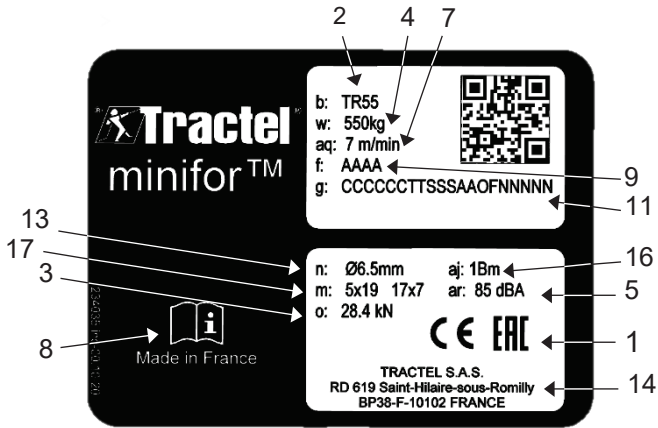


Fig. 26





<b>Summary</b>	<b>Page</b>
GENERAL WARNING .....	9
1. Presentation .....	10
2. Functional specifications .....	11
3. Accessories and spare parts .....	11
4. Anchoring the hoist - installation diagram.....	12
5. Setting up .....	13
6. Operating the hoist .....	14
7. Shutdown – storage .....	15
8. Safety devices .....	15
9. Lifting wire rope .....	15
10. Servicing.....	15
11. Sheaved minifor™ (fig. 25.C) .....	16
12. Special minifor™ hoist.....	16
13. Recommendations for use .....	17
14. Marking.....	17
15. Malfunctions .....	18

Always concerned to improve the quality of its products, the TRACTEL® Group reserves the right to modify the specifications of the equipment described in this manual.

The companies of the TRACTEL® Group and their agents or distributors will supply on request descriptive documentation on the full range of TRACTEL® products: lifting and pulling machines, permanent and temporary access equipment, safety devices, electronic load indicators, accessories such as pulley blocks, hooks, slings, ground anchors, etc.

The TRACTEL® network is able to supply an after-sales and regular maintenance service.

## GENERAL WARNING

1. Before installing and using this unit, to ensure safe, efficient use of the unit, be sure you have read and fully understood the information and instructions given in this manual. A copy of this manual should be made available to every operator. Extra copies of this manual will be supplied on request.
2. Do not use the unit if any of the plates mounted on the unit is missing or if any of the information on the plates, as indicated in section 14 Marking of the manual, is no longer legible. Identical plates can be supplied on request to Tractel®; these must be secured on the unit before it can be used again.
3. Make sure that all persons operating this unit know perfectly how to use it in a safe way, in observance of all safety at work regulations. This manual must be made available to all users.
4. This unit must only be used in compliance with all applicable safety regulations and standards concerning installation, use, maintenance and inspection of equipment lifting devices.
5. For all professional applications, the unit must be placed under the responsibility of a person who is entirely familiar with the applicable regulations and who has the authority to ensure the applicable regulations are applied if this person is not the operator.
6. Any person using the unit for the first time must first verify that he has fully understood all the safety and correct operation requirements involved in use of the unit. The first-time operator must check, under risk-free conditions, before applying the load and over a limited lifting height, that he has fully understood how to safely and efficiently use the unit.
7. The unit must only be installed and set into service under conditions ensuring the installer' safety in compliance with the regulations applicable to its category.
8. Each time, before using the unit, inspect the unit for any visible damage, as well as the accessories used with the unit.
9. Tractel® declines any responsibility for use of this unit in a setup configuration not described in this manual.
10. The unit must be hooked to an anchoring point and a structure having sufficient strength to withstand the maximum utilization load indicated in this manual. If several units are used, the strength of the structure must be compatible with the number of lifting units used and with the maximum utilization load of the units.

11. Tractel® declines any responsibility for the consequences of any changes made to the unit or removal of parts forming part of the unit.
12. Tractel® will only guaranty operation of the unit provided it is equipped with an original Tractel® wire rope in accordance with the specifications indicated in this manual.
13. Tractel® declines any responsibility for the consequences resulting from disassembly of the unit in any way not described in this manual or repairs performed without Tractel® authorization, especially as concerns replacement of original parts by parts of another manufacturer.
14. Tractel® declines any responsibility for the consequences resulting from any unauthorized changes or repairs to the wire rope.
15. The unit must never be used for any operations other than those described in this manual. The unit must never be used to handle any loads exceeding the maximum utilization load indicated on the unit. It must never be used in explosive atmospheres.
16. The unit must never be used for lifting people.
17. When a load is to be lifted by several units, a technical study must first be carried out by a qualified technician before installation of the units. The installation must then be carried out in compliance with the study, in particular to ensure an even distribution of the load under appropriate conditions. Tractel® declines any responsibility for the consequences resulting from use of a Tractel® device in combination with other lifting devices of another manufacturer.
18. During the up-down lifting operations, the user must always keep the load in view.
19. Never park or circulate under a load. Access to the area under the load should be indicated by signs and prohibited.
20. To ensure safe use of the unit, it should be visually inspected and serviced regularly. The unit must be periodically inspected by a Tractel-approved repair agent as indicated in this manual.
21. The wire rope must be in good condition to ensure safe, correct operation of the unit. Discard any wire rope which shows any signs of excess wear or damage. The condition of the wire rope should be checked each time before using the unit as detailed in the "wire rope" section.
22. When the unit is not being used, it should be stored in a location inaccessible to persons not authorized to use the unit.
23. When using the unit, the operator must ensure that the wire rope remains constantly tensioned by the load, and more particularly, the operator must ensure that the load is not temporarily snagged by an obstacle when coming down as this could result in rupture of the wire rope when the load is released from its obstacle.
24. If the unit is to be definitively removed from use, make sure the unit is discarded in a way which will prevent any possible use of the unit. All environment protection regulations must be observed.



### IMPORTANT

For professional applications, in particular if the unit is to be operated by an employee, make sure that you are in compliance with all safety at work regulations governing installation, maintenance and use of the equipment, and more specifically as concerns the required inspections: verification on commissioning by user, periodic inspections, and inspections subsequent to disassembly or repair operations.

## 1. Presentation

### 1.1. Theory of operation

The minifor™ is a portable electric hoist with feed-through wire rope for lifting and pulling operations. The hoist implements a self-clamping drive system providing unlimited lifting wire rope travel.

The drive system is formed by a pulley with a specially-shaped groove, in which the wire rope is clamped under the effect of the load by two swivel rollers.

A pre-clamping spring which acts on the rollers maintains the wire rope on the pulley when no load is attached to the system. Beyond the action of the pre-clamping spring, the clamping action of the wire rope on the drive pulley is proportional to the load.

The technical design of the system ensures a high degree of safety provided the instructions given in this manual in the section entitled "Anchoring the hoist – Installation diagrams" are strictly observed.

The minifor™ hoist must only be used with the specific minifor™ lifting wire rope with diameter indicated (see specifications) to fully ensure safe, efficient use.

TRACTEL® declines any responsibility for the consequences resulting from use of the hoist with a wire rope other than the minifor™ wire rope.

Each minifor™ hoist is tested before shipment for 110 % of its maximum utilization load.

## 1.2. Composition of a standard supply minifor™

Each minifor™ (depending on model) is supplied in a box or metal case containing:

1. The hoist with its control box, equipped with its carrying handle, its safety hook and a power supply cable with male/female connector.
2. A plastic bag, containing:
  - a low limit stop on spring,
  - a 3 mm ALLEN wrench to secure the limit stops on the wire rope.
3. A plastic bag, containing:
  - this manual,
  - the CE compliance certificate,
  - if necessary, the documents concerning the radio remote control.
4. Depending on the control option, the lifting wire rope (to the length required) mounted on a reel, equipped with a safety hook and a high limit stop mounted on spring.

## 1.3. Description and markings

Figure 1 shows a standard minifor™ in its most frequently used operating position, ready for operation, suspended on a clamp secured to a beam. The standard hoist is supplied with a 2.5 m electric control cable with control box (Fig. 2) and a 0.50 m electrical power supply cable. On request, the unit can be supplied with different control and power supply cable lengths. Each unit carries a serial number on the top of the casing. The complete number (including letter) must be given whenever requesting spare parts or repairs.


Regularly check that all the labels are in place and can be easily read.

The length of the lifting wire rope is marked on the end sleeve in the hook. If necessary, check the wire rope length as it is possible that the wire rope may have been shortened since the unit was delivered. All the minifor™ hoists are supplied with a control box (Fig. 2), with double insulation IP 65 and 3 controls: Up, Down and Emergency stop.

**NOTE:** The "Up" and "Down" controls are indicated on the corresponding control buttons by an arrow showing the direction of movement, with the control box held in its hanging position (Fig. 2).

## 2. Functional specifications

On request: other voltages and frequencies.

	TR10	TR30	TR30S		TR50		TR55		TR110
	1~	1~	1~	3~	1~	3~	1~	3~	1~
Number of phases	1~	1~	1~	3~	1~	3~	1~	3~	1~
WLL standard/sheaved (kg)	100 / 200	300 / 600	300 / 600		500 / 950		550 / -		550 / 1100
Speed standard/sheaved (m/min)	15 / 7.5	5 / 2.5	13 / 6.5		7 / 3.5		7 / -		7 / 3.5
Classe FEM 9.511/ISO	-	-	1Bm / M3	1Bm / M3	1Bm / M3	1Bm / M3	1Bm / M3	1Bm / M3	1Bm / M3
Power (kW)	0.25		1.1		1.1		1.1		1.1
Startup current (A)	25.5 / 17.3		54 / 16	19 / 11	54 / 16	19 / 11	54 / 16	19 / 11	16
Nominal current (A)	7.5 / 3.9		16 / 8	5.9 / 3.4	16 / 8	5.9 / 3.4	16 / 8	5.9 / 3.4	8
Power supply voltage (V)	115 / 230		115 / 230	230 / 400	115 / 230	230 / 400	230	400	230
Control voltage (V)	115 / 230		115 / 230	230 / 400	115 / 230	230 / 400	230	400	230
Frequency (Hz)	50		50		50		50		50
Diameter of steel wire rope (mm)	6.5		6.5		6.5		6.5		6.5
Weight of wire rope per meter (kg)	0.17		0.17		0.17		0.17		0.17
Weight of standard hoist (without wire rope) (kg)	21		33	33	33	33	33	33	43
Winder weight with 20m of wire rope (kg)	+23		-	-	-	-	-	-	-
Winder weight with 27m of wire rope (kg)	+28		-	-	-	-	-	-	-
Winder weight with 40m of wire rope (kg)	+30		-	-	-	-	-	-	-
Weight a sheaving kit (kg)	+5		+8		+8		-		+8
 L <sub>WA</sub> dB(A)	86	85	88		90		90		90

## 3. Accessories and spare parts

The following parts and accessories can be supplied and installed by the user:

- High and low limit stops (interchangeable).
- Lifting wire rope equipped with eye hook.
- Fuse.
- Power supply connector (electrician).

## 4. Anchoring the hoist - installation diagram

GB

Check that the fixed attachment point is sufficiently strong for the force to be applied.

If the hoist is to be mounted in a location which is dangerous for the operator, the safety precautions required by the applicable work regulations must be taken to eliminate any safety hazards during the operation. In this case, it may be preferable to install the lifting wire rope in the hoist before starting the fastening operation (see section 5).

The hoist can be used suspended or bearing on its base.

### 4.1. Anchoring the hoist in the suspended position

This is the easiest and most commonly used installation method. The unit must only be secured by its hook (except 4.2 below) and never by its handle. It is prohibited to secure the wire rope hook to the fixed point and to operate the hoist as it moves along the wire rope (Fig. 3: mandatory installation, Fig. 4: prohibited installation).

The hoist hook must be placed in the fixed point fastening device so that the fastening device is fully engaged on the hook. The safety flap on the hook must close completely. If any interference appears in the swivel part of the hoist hook with the fastening component, a sling of appropriate capacity should be used.

### 4.2. Anchoring the hoist bearing on its base

This type of installation requires special precautions:

1. The bearing surface on which the hoist is placed must be flat and horizontal.
2. This surface must have a hole for passage of the two wire rope strands. The configuration and dimensions of the hole are given in figure 24 showing the bearing face of the hoist and its position on the hole.
3. The hoist must be positioned so that the lifting wire rope with load does not rub against the side of the hole, and in such a way that the fixed limit stops on the wire rope are able to come into contact with the limit levers on the hoist.
4. The hoist must be wedged so that it does not move on its bearing face.
5. The platform on which the hoist is placed must have the required stability and strength to ensure safe operation.

6. The load must be freely suspended (Fig. 5) or connected to the unit by means of an idler pulley mandatorily and strictly located directly below the unit (Fig. 6).



#### IMPORTANT

With this installation, never lift a load until it has been placed directly beneath the hoist, except when an idler pulley is used.

### 4.3. Securing the load

The load must be secured using the hook on the lifting wire rope and never the hook on the hoist.

The load must be secured using a sling with a capacity, size and type appropriate to the object to be handled. The hoist wire rope must never be used as a sling, running it around an object and fastened with its hook (Fig. 7: correct slinging, Fig. 8: prohibited slinging).

### 4.4. Installation diagrams

#### 4.4.1. Hoist suspended, load suspended directly

This is the most simple configuration (Fig. 7). The main precaution to be taken is to avoid any obstacle against which the load or lifting wire rope could bear laterally or butt against.

#### 4.4.2. Hoist suspended, direct slanted lifting

This configuration requires a stable slanted plane on which the load is pulled and maintained (Fig. 9).

#### 4.4.3. Hoist suspended, indirect pulling or lifting

This configuration requires an idler pulley secured to a fixed point (Fig. 11). Also see section 5.5.

#### 4.4.4. Hoist secured horizontally for direct pulling

**To ensure safe use of the unit**, neither the hoist or wire rope should touch any object when tensioned (Fig. 10) at any time.

Check that you have **perfectly aligned the unit on the wire rope** by anchoring the hoist so that it can swivel freely, for example using a sling.

**Never secure the hoist rigidly** on a structure. Ensure that the wire rope strands move freely and do not rub against anything.

Note: If an idler pulley is interposed to hoist the load on a slanted plane, due to the driving action of the load, apply the lifting configuration described in section 4.4.3.

#### 4.4.5. Hoist secured on floor

Lifting using idler pulley. Same recommendations as for case described in 4.4.4. The strength of the pulley and its attachment must be calculated for a double load force (Fig. 12). Also see section 5.5.

#### 4.4.6. Hoist bearing against surface, load freely suspended

Strictly follow the instructions given in section 4.2. and 5.5. Be especially careful to avoid any swinging of the load. Proceed as shown in Fig. 5.

#### 4.4.7. Hoist bearing against surface, load not freely suspended

This configuration requires use of an idler pulley secured directly in line with the hoist (Fig. 6). See sections 4.2 and 5.5.

#### 4.4.8. Sheaving

All the above recommendations apply, especially when sheaving is used. In this case, special care must be taken when tensioning (see section 11).

**IMPORTANT:** the minifor™ TR55 can not be sheaved as it is not equipped with a load limiter as required by the European Directive 2006/42/CE for lifting loads over 1000kg.

**NOTE:** If idler pulleys are used, be careful to position the limit stops as described in section 5.4 (Fig. 13).

## 5. Setting up

### 5.1. Preliminary checks

- Ensure that the load or force does not exceed the maximum utilization load specified for the hoist.
- Remember that the use of idler pulleys will significantly increase the force to be produced to lift a load.
- Ensure that the strength of the fixed point is sufficient to safely apply a force equal to the maximum utilization load (or twice this load in the configuration described in 4.4.5).
- Ensure the hoist is correctly secured.
- Ensure the lifting wire rope is in good condition.
- Ensure the length of the lifting wire rope is sufficient for the distance to be covered by the load. Provide an additional 1.50 m for passage through the hoist and a sufficient length of loose strand.
- Ensure the length of the electrical control cable is sufficient to connect the device at the location defined by the operator under safe working conditions.

### 5.2. Electrical recommendations

1. Before using the hoist with a new connection, refer to the nameplate on the motor.

Check the characteristics of the power supply, **single phase** or **three-phase**, voltage, available amperage. Check that the current supplied is compatible with the characteristics on the motor nameplate. The available current must be equal or greater than the current indicated on the nameplate.

2. If a power supply extension is used, ensure the potential has the following characteristics:
  - **single phase** 230 V.: 3 wires (1 phase, 1 neutral, 1 ground) with section of 2.5 mm<sup>2</sup>.
  - **three-phase** 400 V.: 4 wires (3 phases, 1 ground) with section of 2.5 mm<sup>2</sup>.

These characteristics are valid for up to 50 m of electrical cable. For greater lengths, contact your TRACTEL® dealer.
3. The electrical extension connection must be reinforced by an accessory ("sock") to withstand the weight of the extension at the connector.
4. If the connector supplied with the electrical power supply cable is to be changed, this intervention must only be performed by a qualified technician. Any intervention on the control box cable must also only be performed by a qualified technician. No intervention should be performed on the electrical unit of the hoist (except for changing a fuse), by anyone other than a TRACTEL®-approved repair agent.
5. Check that the worksite or building installation on which the minifor™ is to be connected is equipped with the regulatory electrical safety devices such as a differential circuit-breaker and a ground connection to protect the operator, the minifor™ and the equipment.
6. If the minifor™ is supplied from an electric power generator, check that it provides (at minimum), the required startup voltage and power. (6 kVa for single-phase minifor™, 8 kVa for minifor™ three-phase minifor™).

### 5.3. Hoists with three-phase motor (TR30S / TR50 / TR55)

The hoists equipped with a three-phase motor have a phase direction detector inhibiting operation should the phase order be inverted. If following an inverted connection, the three-phase minifor™ TR30S / TR50 / TR55 does not operate, disconnect the power connector and, using a screwdriver, turn the imprint in the male connector by 180° to re-establish the correct phase order (see Fig. 14).

### 5.4. Installing the lifting wire rope in the unit

**NOTE:** Gloves should be worn when handling the wire rope.

- The wire rope must be fully unwound and untwisted over its entire length before you begin to install it in the hoist.
- Lubricate the lifting wire rope to facilitate insertion in the hoist.
- Check that the high limit stop is engaged on the lifting wire rope (spring toward unit) on the wire rope hook side.
- Connect the power wire rope to the power outlet.
- **Insert** the free end of the **lifting wire rope** (welded, rounded tip) in the unit through the **engagement hole marked** by an arrow on the casing.

**NOTE:** Never insert the wire rope in the other hole ; this hole is only used for exit of the wire rope. Never secure a load to the loose end of the wire rope.

- Press the “up” button on the control box while pushing the wire rope so that it engages on the pulley in the unit. (see three-phase units, see 5.3).
- When the wire rope comes out of the unit, continue the movement to obtain a length of wire rope of around 1 meter coming out of the unit.
- On the free end of the wire rope (1), slide on the low limit stop so that the end of the spring is near the unit (2) and tighten the screw on the stop ring (3) using an ALLEN wrench (4). There should be at least **one meter of wire rope between this ring and the wire rope end**.
- Ensure that the stop cannot slide on the wire rope. (Fig. 15).

**NOTE:** You may wish to further limit the travel of the load downward; in this case, unwind the corresponding length of wire rope before securing the limit ring.

On the other end, secure the high limit stop ring in accordance with the height at which you may want to limit the travel of the load in the upward direction. Secure the limit stop and check it by applying the same procedure as for the low limit stop.

- Check that the hoist limit levers operate correctly, as well as the other safety devices as described in section 8.

**There should be a limit stop at around 1 meter ahead of the free end of the lifting wire rope and another limit stop on the wire rope hook slide, both limit stops securely and appropriately attached. This a mandatory safety requirement.**

## 5.5. Limit stops and pulleys

If the installation comprises one or several return pulleys, only pulleys of appropriate diameter should be used. In this case, the high limit (1) and low limit (2) stops must be positioned on the wire rope so that neither the high limit stop or the load be able to come into contact with a pulley. The high limit stop must be mounted between the hoist and the pulley which is nearest on the wire rope path (see Fig. 13).



### IMPORTANT

Check that the anchor points and pulleys are of appropriate strength with respect to the forces which will be applied.

## 5.6. Check with load

With the load fastened, lift it slightly and check that the “Up” and “Down” controls operate correctly; also check operation of the “Emergency stop” control.

Once you have ensured that these functions operate correctly, you can proceed with the maneuvers.

If the unit does not operate correctly, return it to a TRACTEL®-approved repair agent (Also see section 5.3).

## 6. Operating the hoist

The hoist is operated by pressing on either the “Up” or “Down” button on the control box (Fig. 2). The control box must always be held in the vertical position, hanging on its control cable. Never turn over the control box (control cable entry downward) as this can result in control mistakes.

When the “Up” or “Down” button is released, the movement stops. When using the minifor™ to lift a load to a very high location, the unit should be stopped for around 15 minutes every fifty meters of operation to prevent the unit from overheating.

All motors are protected against overheating by a heat probe in the winding. This probe inhibits operation by opening the control circuit so long as the winding temperature has not returned to an acceptable value.

**NOTE:** The casing may heat up to 80°C. This is normal.

A red emergency stop button is provided to stop movement of the system in the event of incorrect operation of the “Up” or “Down” buttons (see section 8: Safety devices).

The following precautions must be taken when performing up or down movements:

- The load should not swing or turn.
- Keep all obstacles away from the lifting wire rope and load.
- Check that the loose strand is free along its entire length.
- Do not allow the loaded strand to become loose if the load is not stably bearing on a sufficiently strong support.
- Do not apply short successive actions on the push buttons.



## IMPORTANT

The loose strand of the wire rope must be kept away from the loaded strand, and more particularly, when two loaded strands are used with sheaving so that the loose strand does not become tangled with the loaded strands.

**For the same reasons, the loose wire rope strand must be kept away from any obstacle which could catch it and you should be careful to prevent the loose strand from becoming tangled in itself; this could result in preventing the low limit stop attached to the loose strand from reaching the stopping mechanisms (limit stop levers) on the unit. Blockage of the loose strand when moving up (load moving down) could result in rupture of the wire rope and the load falling.**

Deformation of the wire rope can also cause the wire rope to block in the hoist or on contact of the deformed part with the hoist. Whatever the cause of the wire rope movement becoming blocked, the hoisting operation should be stopped immediately. See section 13.

The limit stops are not control components but safety components. These should never be used intentionally in this respect and only serve as stopping mechanisms in the event of unintentional overshoot of the planned travel distance.

Never park or work under the load. If necessary, set up a safety barrier around the area under the load.

## 7. Shutdown – storage

Do not disconnect the wire rope hook from the load until the load is stable and firmly bearing on a sufficiently strong support.

The hoist can remain in position provided it is properly sheltered from weather and located in a dry location. Disconnect the unit electrically when not in use.

Make sure the hoist cannot be used by unauthorized persons.

For storage, the unit can be stored in its case. The wire rope must be removed from the unit (except those models having a winder) and rolled on its reel.

The unit must never be set on its base when the wire rope is engaged in the unit as this would result in bending and damaging the wire rope.

## 8. Safety devices

The hoist is provided with the following safety devices:

- A no-current brake motor.

- Emergency stop control on control box – Red button (see Fig. 2).
- Mechanical interlock, prohibiting simultaneous action of Up and Down controls.
- Very-low voltage control (48 V) for three-phase units.
- High and low limit levers on unit, working with stops on wire rope.
- Safety latches (1) on hooks (Figs. 16 and 17)
- Electrical protection for control box: class 2.
- Control protection fuse, in electrical unit.
- electrical load limiter on minifor™ TR110.

The emergency stop function is ensured by pressing the red button (Fig. 2). To restart the unit after an emergency stop, the emergency stop button must be unlocked by turning it in the direction of the arrows marked on the button, after having ensured that all the emergency conditions have been eliminated.

## 9. Lifting wire rope

The minifor™ wire rope is equipped with a safety hook at one of its ends. The hook is mounted on a wire rope loop equipped with a lug crimped in a metal sleeve (see Fig. 17). The other end is welded and ground. This end must be maintained welded, rounded and free of any irregularities (see Fig. 18).

To ensure safe use of the minifor™ hoists, they must only be used with the minifor™ wire rope specially designed for the hoist (diameter of 6.5 mm).

**Use of a damaged or inappropriate wire rope represents a serious risk of accident and failure.**

The condition of the wire rope should be monitored regularly and the wire rope should be immediately eliminated if it shows any sign of damage such as deformation, bending or broken wires (Fig. 19). Any wire rope whose nominal diameter has been reduced by 10% or which has more than 10 broken wires over a length of 200 mm should be eliminated. Standard ISO 4309 (Measure as shown in Fig. 20).

Do not expose the wire rope to temperatures exceeding 100°C or to any corrosive mechanical or chemical agents.

Store the wire rope wound on its reel in a location which is free of humidity after having carefully cleaned and lubricated the wire rope along its entire length. Do not use grease or oil containing molybdenum disulphide or graphite additives.

## 10. Servicing

Servicing the unit consists in regularly checking that it is in good condition, in cleaning it and having it periodically inspected (at least once a year) by a TRACTEL®-approved repair agent. No greasing or lubrication of the unit is required by the user. (For maintenance of the lifting wire rope, see section 9). Check that the



hoist suspension hook mounting screw and the handle locknut are always properly tightened. Replace these if necessary.

GB

**Any visible damage to the unit and its equipment, in particular its hooks, lifting wire rope and electrical conductors should be repaired before resuming use of the unit.**



#### IMPORTANT

Except when replacing a fuse in the electrical box, the unit must only be opened by a TRACTEL®-approved repair agent.

## 11. Sheaving minifor™ (fig. 25.C)

### 11.1. Description

A minifor™ sheaving kit can be mounted the minifor™ TR10 / TR30 / TR30S / TR50 / TR110 only. This system will double the capacity (maximum utilization load) of the unit (except for model TR50). On the other hand, the speed is decreased by half.

The minifor™ must only be equipped using the minifor™ sheaving kit. No additional system should be added.

The minifor™ sheaving kit comprises (Fig. 21):

- A fastening device for the carrier wire rope strand.
- A sheaving pulley with latch hook as standard (or self-locking hook as option) equipped with an upper end-of-run spring,
- An assembly manual.

**This kit must only be used with a minifor™.**

### 11.2. Installation

If sheaving is used, the necessary wire rope length is at least twice the lifting height plus around 2 m which includes one meter for the loose strand coming out of the unit.

The end-of-run sliding spring on the sheaving pulley is designed to replace the top end-of-run stop that comes with the rope. To limit the travel upward, it is still possible to add the standard high limit stop; this is placed between the pulley and the wire rope entry on the unit marked by an arrow.



#### IMPORTANT

If sheaving is used, double the maximum utilization load to be taken into account for safety calculations.

**NOTE:** Take care to mount the sheaving pulley so that the sliding end-of-run spring is located on the rope

between the pulley and the rope entry of the unit. See user manual for sheaving kit. Figure 25 shows the various configurations.

**NOTE:** Due to the risk of the wire rope strands becoming entangled, the minifor™ should only be used for direct vertical lifting (Fig. 5) when sheaving is used.

### 11.3. Operation

When operating the hoist with the sheaving system, the operator must take **special care to ensure that the load does not turn** in order to keep the three strands of the cable from becoming entangled (two loaded strands + loose strand). Immediately stop the load movement if the loose strand becomes entangled with the other strands and clear the loose strand before resuming the hoisting operation.

For more details concerning use of the minifor™ equipped with sheaving, refer to the user manual supplied with the minifor™ sheaving kit.

## 12. Special minifor™ hoist

### 12.1. minifor™ TR10/TR30 with integrated winder

The TR10/TR30 models can be supplied optionally equipped with a spring-type wire rope winder, equipped with its cable with either of two lengths as may be required: 20, 27 or 40 m (Fig. 25.d).

This equipment eliminates the need for a “loose” strand of variable length.

The assembly is supplied with the two high and low limit stops on the cable. The cable hook is equipped with a weight. The weight is indispensable and should not be removed.

The winder must be installed in factory. minifor™ owners can return their unit to Tractel® to have the winder installed.

The unit must be set up and used so that its winder turns freely without rubbing against any exterior obstacle.



#### IMPORTANT

A minifor™ equipped with a winder must not be used bearing against a platform (risk of rubbing).

### 12.2. minifor™ with radio remote control (Fig. 25.b)

All the minifor™ models can be supplied optionally equipped with a radio remote control system consisting of a portable control transmitter (Fig. 22.a) and a



receiver on the hoist (Fig. 22.b). The transmitter operates on a battery. The radio remote control enables the user to control the up, down and emergency stop functions of the hoist with no need for a control cable. It operates by transmission of an encoded RF wave.

The code for each unit can be modified by the user, in particular when several remote-control hoists are used at the same site.

The transmitter and receiver keys must have the same code. Refer to the radio remote control manufacturer's documents supplied with the unit.

**The radio remote controlled minifor™ should only be operated from a location where the load movements are clearly visible. When this is not possible, appropriate measures should be taken to eliminate any uncontrolled hazards which could arise.**

**NOTE:** The transmitter unit must be used and handled with care and is subject to damage from shocks.

**NOTE:** Unless the codes are changed accordingly, any command generated from the transmitter will cause the same and nearly simultaneous movement of all the radio remote controlled hoists located on the same site within range of the radio remote control transmitter.

**NOTE:** When the transmitter is oriented toward the front of the receiver the radio range is up to 500 m. in open field.

**NOTE:** When performing an operation, keep in mind that the system has a slight reaction time. **For this reason, it is not possible to control several hoists from a single transmitter in a perfectly synchronized way.**

This radio remote control system is approved in France by the Telecommunications Authorities (ART) and does not require any individual license for use. No changes should be made to the radio remote control system.

Use of the radio remote controlled minifor™ outside France is subject to verification for compatibility with local regulations concerning radio waves.

The radio remote controlled minifor™s do not come with a control box connected by a control cable (optional, on request).

### 13. Recommendations for use

When used in compliance with the information given in this manual, the minifor™ hoists are entirely safe. The hoist operator should however be careful never to use the minifor™ inappropriately as described below:

#### IT IS PROHIBITED:

- To use a minifor™ hoist, even occasionally, to lift persons.

- To use a minifor™ hoist for operations other than those for which it is designed or using installation diagrams other than those described in this manual.
- To use a hoist beyond its maximum utilization load specification.
- To set up the hoist under conditions which may be dangerous to the operator.
- To fasten a load to the hoist hook and fasten the cable hook to a fixed point.
- To anchor the hoist by its handle.
- To start up the unit without first checking that the limit stops are correctly positioned.
- To connect the unit to an electrical connector without first ensuring that the power supplied matches the hoist specifications and that the power circuit is equipped with the regulatory electrical safety devices.
- To secure the hoist in a structure (except as described in section 4.2) or to interfere with self-alignment on the cable.
- To use sheaving with the hoist other than the specific minifor™ sheaving kit designed for the minifor™ hoist.
- To pull a load along the floor using a unit which is not properly aligned with the movement of the load.
- To force operation if the wire rope is blocked in or against the hoist.
- To operate a hoist using a three-phase power supply with commands inverted with respect to the direction indicated.
- To apply a load on the loose strand of the lifting wire rope.
- To use a minifor™ equipped with a sheaving kit against a surface.
- To use the lifting wire rope as a means of slinging a load.
- To allow the load to swing under the hoist.
- To stand or move around under the load.

### 14. Markings

Markings example as per figure 26.

- 1 : Certification mark (e.g. CE...)
- 2 : Type of device
- 3 : Min. breaking load of the cable
- 4 : Maximum working load
- 5 : Guaranteed noise level
- 6 : Motor voltage
- 7 : Speed of ascent and descent
- 8 : Refer to the instructions for use and maintenance
- 9 : Year of manufacture
- 10 : Motor power
- 11 : Serial number
- 12 : Motor frequency
- 13 : Rope diameter
- 14 : Name and address of the manufacturer
- 15 : Number of phases
- 16 : F.E.M. Classification

## 15. Malfunctions

Fault	Possible causes	Action
1 - Cable binding	<ul style="list-style-type: none"> <li>• Cable deformation inside or in contact with the equipment.</li>   <li>• The slack strand has caught up around another strand or an obstacle.</li> <li>• Load has caught up on something while rising.</li> </ul>	<ul style="list-style-type: none"> <li>• Stop the manoeuvre immediately without forcing.</li> <li>• Take the load by another means that offers the regulatory safety cover and release the unloaded equipment. Try to release the cable from the equipment. If this proves to be impossible, send the equipment and the cable to an approved TRACTEL® repair service.</li> <li>• Should a fault be found on the cable, discard it.</li>   <li>• The slack strand must be released and check the forward cable before starting up movement again.</li> <li>• Release the load and check the forward cable before starting up movement again.</li> </ul>
2 - No motor rotation	<ul style="list-style-type: none"> <li>• Emergency stop has been triggered.</li> <li>• End of run lever in the appliance has triggered.</li>   <li>• Fuse has blown.</li> <li>• End of run lever jammed or broken.</li>   <li>• Power down, defective plug or connector.</li> <li>• Defective contacts or control box.</li>   <li>• After intense usage the motor is too hot and the heat probe triggers (single phase 230 V motor).</li> <li>• Reversed phases (three phase motor).</li> </ul>	<ul style="list-style-type: none"> <li>• Release the emergency stop button (rotation).</li> <li>• If the stop has been caused by the action of the end of run stop on the lever, turn it backwards.</li>   <li>• Change the fuse (2A control protection fuse).</li> <li>• Return the equipment to a TRACTEL® approved repair service.</li>   <li>• Have repaired by an electrician.</li>   <li>• Return the equipment to a TRACTEL® approved repair service.</li>   <li>• Wait for cooling.</li>   <li>• See chapter 5.3.</li> </ul>
3 - Motor rotation in one direction only	<ul style="list-style-type: none"> <li>• End of run damaged.</li> <li>• Defective contact or control box.</li> <li>• Contact spool burned out.</li> </ul>	<ul style="list-style-type: none"> <li>• Return the equipment to a TRACTEL® approved repair service.</li> </ul>

Fault	Possible causes	Action
4 - Feeble motor rotation with "groaning"	<ul style="list-style-type: none"> <li>• Defective power supply.</li> <li>• Major drop in voltage.</li> <li>• Electromagnetic brake jammed shut.</li> <li>• Lack of torque on start-up (defective permanent condenser or motor winding coil burnout).</li> <li>• Defective reduction gear or brake.</li> <li>• Overload.</li> </ul>	<ul style="list-style-type: none"> <li>• Check the power supply voltage.</li> <li>• Return the equipment to a TRACTEL® approved repair service if the power supply voltage or surges are not the cause.</li> <li>• Reduce or hoist the load.</li> </ul>
5 - Cable cannot be inserted	<ul style="list-style-type: none"> <li>• Overly thick cable.</li> <li>• Defective cable tip.</li> <li>• Cable deformation.</li> <li>• For a three phase model, reversed controls.</li> <li>• Worn interior guiding parts.</li> </ul>	<ul style="list-style-type: none"> <li>• Check the diameter. Replace with a cable of the correct diameter.</li> <li>• If necessary, re-weld the end of the cable using a blowtorch. Grind and round off.</li> <li>• Discard the deformed part. Cut, re-weld and grind the cut end.</li> <li>• Press the "Down" button. If the cable engages normally, press the "Up" button to release it and reverse the phases on the connector set up for this purpose.</li> <li>• Should none of the above causes be revealed, send the minifor™ to a TRACTEL® approved repair service.</li> </ul>
6 - The cable slides or slips on the uphill	<ul style="list-style-type: none"> <li>• Overly thin cable.</li> <li>• Cable wear more than 10% of the nominal diameter.</li> <li>• Heavy wear to the tightening system.</li> </ul>	<ul style="list-style-type: none"> <li>• Check the diameter of the cable as shown in the instructions. If the cable should prove to be non-compliant or worn, discard it and replace with a new one.</li> <li>• If the cable is normal, send the minifor™ to a TRACTEL® approved repair service.</li> </ul>
7 - Load descent is no longer slowed: the cable slides despite the motor being stopped	<ul style="list-style-type: none"> <li>• Brake maladjusted.</li> <li>• Worn brake shoes.</li> <li>• Brake shoes tainted by oil or grease.</li> <li>• Overload.</li> </ul>	<ul style="list-style-type: none"> <li>• Adjust the air gap.</li> <li>• Return the equipment to a TRACTEL® approved repair service.</li> </ul>
8 - The motor cuts out during a manoeuvre	<ul style="list-style-type: none"> <li>• After intense usage the motor is too hot and the heat probe triggers.</li> </ul>	<ul style="list-style-type: none"> <li>• Wait for cooling.</li> </ul>

<b>Sommaire</b>	<b>Page</b>
CONSIGNES PRIORITAIRES.....	20
1. Présentation .....	21
2. Spécifications fonctionnelles .....	22
3. Accessoires et pièces de rechange ..	23
4. Amarrage - schéma de montage .....	23
5. Mise en service .....	24
6. Manœuvre .....	26
7. Mise hors service - stockage .....	26
8. Dispositifs de sécurité .....	26
9. Câble de levage .....	27
10. Entretien .....	27
11. minifor™ mouflé (fig. 25.c) .....	27
12. minifor™ spéciaux.....	28
13. Contre-indications d'emploi .....	29
14. Marquage .....	29
15. Anomalies de fonctionnement .....	30

Afin d'assurer l'amélioration constante de ses produits, TRACTEL® se réserve le droit d'apporter toute modification jugée utile, aux matériels décrits dans la présente notice.

Les sociétés du Groupe TRACTEL® et leurs revendeurs agréés vous fourniront sur demande leur documentation concernant la gamme des autres produits TRACTEL® : appareils de levage et de traction, matériel d'accès de chantier et de façade, dispositifs de sécurité, indicateurs de charge électroniques, accessoires tels que poulies, crochets, élingues, ancrages, etc.

Le réseau TRACTEL® peut vous fournir un service d'après-vente et d'entretien périodique.

## CONSIGNES PRIORITAIRES

1. Avant d'installer et d'utiliser cet appareil, il est indispensable, pour sa sécurité d'emploi et son efficacité, de prendre connaissance de la présente notice et de se conformer à ses prescriptions. Un exemplaire de cette notice doit être conservé à disposition de tout opérateur. Des exemplaires supplémentaires peuvent être fournis sur demande.
2. Ne pas utiliser cet appareil si l'une des plaques fixées sur l'appareil, ou si l'une des inscriptions y figurant, comme indiqué au chapitre 14 Marquage du présent manuel, n'est plus présente ou lisible. Des plaques identiques peuvent être fournies sur demande à Tractel qui doivent être fixées avant de continuer l'utilisation de l'appareil.
3. Assurez-vous que toute personne à qui vous confiez l'utilisation de cet appareil en connaît le maniement et est apte à assumer les exigences de sécurité que ce maniement exige pour l'emploi concerné. La présente notice doit être mise à sa disposition
4. La mise en oeuvre de cet appareil doit être conforme à la réglementation et aux normes de sécurité applicables concernant l'installation, l'utilisation, la maintenance et le contrôle des appareils de levage de matériel.
5. Pour tout usage professionnel, cet appareil, doit être placé sous la responsabilité d'une personne connaissant la réglementation applicable, et ayant autorité pour en assurer l'application si elle n'en est pas l'opérateur.
6. Toute personne utilisant cet appareil pour la première fois doit vérifier, hors risque, avant d'y appliquer la charge, et sur une faible hauteur de levage, qu'elle en a compris toutes les conditions de sécurité et d'efficacité de son maniement.
7. La mise en place et la mise en fonctionnement de cet appareil doivent être effectuées dans des conditions assurant la sécurité de l'installateur conformément à la réglementation applicable à sa catégorie.
8. Avant chaque utilisation de l'appareil, vérifier qu'il est en bon état apparent, ainsi que les accessoires utilisés avec l'appareil.
9. Tractel® exclut toute responsabilité pour le fonctionnement de cet appareil dans une configuration de montage non décrite dans la présente notice.
10. L'appareil doit être amarré à un point d'amarrage et à une structure suffisamment résistants pour supporter la charge maximum d'utilisation indiquée sur la présente notice. En cas d'utilisation de plusieurs appareils, la résistance de la structure doit être fonction du nombre d'appareils, suivant leur charge maximale d'utilisation.

11. Toute modification de l'appareil hors du contrôle de Tractel, ou suppression de pièce en faisant partie exonèrent Tractel® de sa responsabilité.
12. Tractel® ne garantit le fonctionnement de l'appareil que s'il est équipé d'un câble Tractel® d'origine, suivant les spécifications indiquées dans le présent manuel
13. Toute opération de démontage de cet appareil non décrite dans cette notice, ou toute réparation effectuée hors du contrôle de Tractel® exonèrent Tractel® de sa responsabilité, spécialement en cas de remplacement de pièces d'origine par des pièces d'une autre provenance.
14. Toute intervention sur le câble pour le modifier ou le réparer en dehors du contrôle de Tractel® exclut la responsabilité de Tractel® pour les suites de cette intervention.
15. Cet appareil ne doit jamais être utilisé pour des opérations autres que celles décrites dans cette notice. Il ne doit jamais être utilisé pour une charge supérieure à la charge maximale d'utilisation indiquée sur l'appareil. Il ne doit jamais être utilisé en atmosphère explosive.
16. Il est interdit d'utiliser cet appareil pour le levage ou le déplacement de personnes.
17. Lorsqu'une charge doit être soulevée par plusieurs appareils, l'installation de ceux-ci doit être précédée d'une étude technique par un technicien compétent, puis conduite conformément à cette étude, notamment pour assurer la répartition constante de la charge dans des conditions convenables. Tractel® exclut toute responsabilité pour le cas où l'appareil Tractel® serait utilisé en combinaison avec d'autres appareils de levage d'autre origine.
18. Pendant les opérations de levage, en montée et en descente, l'utilisateur doit rester constamment en vue de la charge.
19. Ne jamais stationner ou circuler sous la charge. Signaler et interdire l'accès à la zone située sous la charge.
20. Le contrôle permanent du bon état apparent de l'appareil et son bon entretien font partie des mesures nécessaires à sa sécurité d'emploi. L'appareil doit être vérifié périodiquement par un réparateur agréé Tractel® comme indiqué dans cette notice.
21. Le bon état du câble est une condition essentielle de sécurité et de bon fonctionnement de l'appareil. Le contrôle du bon état du câble doit être effectué à chaque utilisation comme indiqué au chapitre « câble ». Tout câble présentant des signes de détérioration doit être mis au rebut définitivement.
22. Quand l'appareil n'est pas utilisé, il doit être placé hors d'atteinte de personnes non autorisées à l'utiliser.
23. L'utilisateur doit s'assurer en cours d'utilisation que le câble est constamment tendu par la charge, et particulièrement que celle-ci n'est pas neutralisée temporairement par un obstacle en descente, ce qui peut entraîner un risque de rupture du câble lorsque la charge se libère de son obstacle.
24. En cas d'arrêt définitif d'utilisation, mettre l'appareil au rebut dans des conditions interdisant son utilisation. Respecter la réglementation sur la protection de l'environnement.



### IMPORTANT

Pour tout usage professionnel, spécialement si vous devez confier cet appareil à un personnel salarié ou assimilé, conformez vous à la réglementation du travail applicable au montage, à la maintenance et à l'utilisation de ce matériel, notamment concernant les vérifications exigées : vérification à la première mise en service par l'utilisateur, vérifications périodiques et après démontage ou réparation.

## 1. Présentation

### 1.1. Principe de fonctionnement

Le minifor™ est un treuil palan électrique portable, de levage et de traction, à câble passant, fonctionnant par un système d'entraînement auto-serreur permettant une course illimitée du câble de levage.

Le système d'entraînement est constitué par une poulie dont la gorge à un profil spécial, et dans laquelle le câble est serré sous l'effet de la charge par deux galets articulés.

Un ressort de pré-serrage, agissant sur ces galets, assure hors charge l'adhérence du câble sur la poulie. Au-delà de l'action du ressort de pré-serrage, le serrage du câble sur la poulie d'entraînement est proportionnel à la charge.

Cette conception technique assure une grande sécurité à condition de respecter les instructions données dans la présente notice au chapitre "Amarrage - schémas de montage".

L'appareil minifor™ doit être utilisé exclusivement avec le câble de levage spécial minifor™ de diamètre indiqué (voir spécifications) pour assurer pleinement la sécurité et l'efficacité de son emploi.

TRACTEL® décline toute responsabilité pour les conséquences d'un emploi de l'appareil avec un câble autre que le câble minifor™.

Chaque appareil minifor™ fait l'objet d'un essai, avant expédition, à 110 % de la charge maximale d'utilisation.

## 1.2. Composition d'une livraison standard minifor™

Chaque minifor™ suivant modèle est livré dans un carton ou coffret métallique qui contient :

1. L'appareil avec sa boîte à boutons, équipé de sa poignée de portage, de son crochet de sécurité et d'une rallonge d'alimentation avec prise mâle/femelle.
2. Un sachet plastique contenant :
  - une butée de fin de course basse sur ressort,
  - une clé ALLEN de 3 pour la fixation des butées de fin de course sur le câble.
3. Un sachet plastique contenant :
  - la présente notice d'instructions,
  - la déclaration CE de conformité,
  - Le cas échéant, les documents concernant la radio commande.
4. Suivant option de commande, le câble de levage à longueur monté sur bobine, équipé d'un crochet de sécurité, d'une butée de fin de course haut montée sur ressort.

## 1.3. Description et marquage

La figure 1 montre un minifor™ standard dans sa position d'utilisation la plus courante et en ordre de marche, suspendu à une pince d'accrochage sur poutre. L'appareil standard est livré avec un câble électrique de commande de 2.50 m avec boîte à boutons pendante (Fig. 2) et un câble électrique d'alimentation de 0.50 m. Il peut être livré sur demande avec des longueurs différentes de câble de commande et d'alimentation. Chaque appareil porte un numéro de série situé sur le dessus du carter de l'appareil. Ce numéro est à rappeler dans son intégralité (lettre comprise) pour toute demande de pièces de rechange ou de réparations.


Assurez-vous constamment que toutes les étiquettes sont en place et lisibles.

La longueur du câble de levage, est marquée sur le manchon de l'extrémité passée dans le crochet. Il convient de vérifier, au besoin, cette longueur car le câble peut avoir été raccourci postérieurement à sa livraison. Tous les minifor™ sont livrés avec une boîte à boutons (Fig. 2) double isolation IP 65 à 3 commandes : Montée, Descente et Arrêt d'urgence.

**NOTA :** L'indication « Montée » ou « Descente » est figurée, sur le bouton de commande correspondant, par une flèche orientée dans le sens de mouvement commandé, la boîte étant tenue dans sa position pendante (Fig. 2).

## 2. Spécifications fonctionnelles

Sur demande : autres tensions et fréquences.

	TR10		TR30		TR30S		TR50		TR55		TR110
	1~	1~	1~	3~	1~	3~	1~	3~	1~	3~	1~
Nombre de phases	1~	1~	1~	3~	1~	3~	1~	3~	1~	3~	1~
C.M.U. standard/mouflé (kg)	100 / 200	300 / 600	300 / 600		500 / 950		550 / -		550 / 1100		
Vitesse standard/mouflé (m/min)	15 / 7,5	5 / 2,5	13 / 6,5		7 / 3,5		7 / -		7 / 3,5		
Classe FEM 9.511/ISO	-	-	1Bm / M3	1Bm / M3	1Bm / M3	1Bm / M3	1Bm / M3	1Bm / M3	1Bm / M3	1Bm / M3	
Puissance (kW)	0,25		1,1		1,1		1,1		1,1		
Intensité démarrage (A)	25,5 / 17,3		54 / 16	19 / 11	54 / 16	19 / 11	54 / 16	19 / 11	54 / 16	19 / 11	
Intensité nominale (A)	7,5 / 3,9		16 / 8	5,9 / 3,4	16 / 8	5,9 / 3,4	16 / 8	5,9 / 3,4	16 / 8	5,9 / 3,4	
Tension alimentation (V)	115 / 230		115 / 230	230 / 400	115 / 230	230 / 400	230	400	230	400	
Tension commande (V)	115 / 230		115 / 230	230 / 400	115 / 230	230 / 400	230	400	230	400	
Fréquence (Hz)	50		50		50		50		50		
Diamètre câble acier (mm)	6,5		6,5		6,5		6,5		6,5		
Poids du câble au mètre (kg)	0,17		0,17		0,17		0,17		0,17		
Poids de l'appareil std (sans câble) (kg)	21		33	33	33	33	33	33	33	33	
Poids enrouleur avec 20m de câble (kg)	+23		-	-	-	-	-	-	-	-	
Poids enrouleur avec 27m de câble (kg)	+28		-	-	-	-	-	-	-	-	
Poids enrouleur avec 40m de câble (kg)	+30		-	-	-	-	-	-	-	-	
Poids kit moufflage (kg)	+5		+8		+8		-		+8		
 L <sub>WA</sub> dB(A)	86	85	88		90		90		90		

### 3. Accessoires et pièces de rechange

Les pièces et accessoires suivants peuvent être approvisionnés et montés par l'utilisateur :

- Butée de fin de course haute et butée de fin de course basse (interchangeables).
- Câble de levage équipé avec crochet à œil.
- Fusible.
- Prise d'alimentation (électricien).

### 4. Amarrage - schéma de montage

Vérifier que le point fixe d'amarrage présente une résistance suffisante pour l'effort à appliquer.

Si la fixation de l'appareil doit se faire à un endroit dangereux pour l'opérateur, les précautions de sécurité prévues par la réglementation du travail doivent être prises pour exclure tout risque non maîtrisé dans cette opération. Il peut être préférable dans ce cas de mettre en place le câble de levage dans l'appareil avant l'opération d'amarrage (voir chapitre 5).

L'appareil peut être utilisé en suspension ou en appui sur sa semelle.

#### 4.1. Fixation de l'appareil en suspension

C'est le montage le plus simple et le plus courant. L'amarrage de l'appareil doit se faire exclusivement par son crochet (sauf 4.2 ci-dessous) et jamais par sa poignée. Il est exclu d'amarrer le crochet du câble au point fixe pour faire travailler l'appareil en déplacement sur le câble (Fig. 3 montage obligatoire, Fig. 4 montage interdit).

Le crochet de l'appareil doit être placé dans l'organe du point de fixation, de sorte que cet organe porte à fond de crochet. Le clapet de sécurité du crochet doit se fermer complètement. Si une gêne apparaît dans l'articulation du crochet d'appareil avec l'organe de fixation, il est indispensable d'interposer une élingue de capacité appropriée.

#### 4.2. Fixation de l'appareil en appui sur sa base

Ce type d'installation nécessite des précautions particulières :

1. La surface d'appui sur laquelle est posé l'appareil doit être plane et horizontale.
2. Cette surface doit comporter, pour le passage des deux brins de câble, un orifice dont la configuration et les dimensions sont indiquées sur la figure 24 montrant la face d'appui de l'appareil et son emplacement sur l'orifice.

3. L'appareil doit être positionné de façon que le câble de levage sous charge ne frotte pas contre les parois de l'orifice, et de façon que les butées de fin de course fixées sur le câble puissent venir au contact des leviers de fin de course de l'appareil.
4. L'appareil doit être calé de façon à ne subir aucun déplacement de sa face d'appui.
5. La plate-forme sur laquelle l'appareil est placé en appui doit avoir la stabilité et la résistance nécessaires à la sécurité de l'opération.
6. La charge doit être en suspension libre (Fig. 5) ou reliée à l'appareil par l'intermédiaire d'une poulie de renvoi située impérativement et strictement à l'aplomb de l'appareil (Fig. 6).



#### IMPORTANT

Avec ce montage, ne jamais lever la charge sans l'avoir placée au préalable à l'aplomb de l'appareil, sauf cas de la poulie de renvoi.

#### 4.3. Amarrage de la charge

L'amarrage de la charge doit se faire obligatoirement par le crochet du câble de levage et jamais sur le crochet de l'appareil.

L'amarrage de la charge doit se faire par une élingue de capacité, de dimensions et de type appropriés à l'objet à manutentionner. Il est interdit d'utiliser le câble de l'appareil comme élingue en le passant autour d'un objet pour le reprendre sur son crochet (Fig. 7 élingage correct et Fig. 8 élingage interdit).

#### 4.4. Schémas de montage

##### 4.4.1. Appareil en suspension, charge suspendue directement

C'est le cas le plus simple (Fig. 7). La principale précaution est d'éviter la présence de tout obstacle contre lequel la charge ou le câble de levage pourrait porter latéralement ou contre lequel la charge pourrait buter.

##### 4.4.2. Appareil en suspension, levage oblique direct

Ce cas nécessite la présence d'un plan incliné stable sur lequel la charge est hissée et maintenue (Fig. 9).

##### 4.4.3. Appareil en suspension, traction ou levage indirect

Ce cas nécessite une poulie de renvoi amarrée à un point fixe (Fig. 11). Voir également Chap. 5.5.

#### 4.4.4. Appareil amarré horizontalement pour traction directe

Il est indispensable pour la sécurité de l'opération, qu'à aucun moment, l'appareil ni le câble puisse porter latéralement sur un objet quelconque, lorsqu'ils sont sous tension (Fig. 10).

Assurez-vous du **parfait alignement de l'appareil sur le câble** par un amarrage de l'appareil librement articulé, par exemple par une élingue.

**Ne jamais fixer l'appareil rigidement** sur une structure d'amarrage. Assurer la liberté de mouvement des différents brins du câble en les préservant de tout frottement.

**N.B.** : Si une poulie de renvoi est interposée pour hisser la charge sur un plan incliné, la charge étant motrice, on est dans un cas de levage (cas 4.4.3).

#### 4.4.5. Appareil amarré au niveau du sol

Levage par poulie de renvoi. Mêmes recommandations que pour le cas 4.4.4. La résistance de la poulie et celle de son accrochage doivent être calculées pour un effort double de la charge (Fig. 12). Voir également Chap. 5.5.

#### 4.4.6. Appareil en appui, charge suspendue librement

Suivre strictement les instructions du chapitre 4.2. et chapitre 5.5. Prendre un soin particulier pour éviter tout balancement de la charge. Se conformer à la Fig. 5.

#### 4.4.7. Appareil en appui, charge non suspendue librement

Ce cas d'utilisation nécessite le recours à une poulie de renvoi fixée à l'aplomb de l'appareil (Fig. 6). Voir chapitre 4.2 et chapitre 5.5.

#### 4.4.8. Mouflage

Toutes les recommandations ci-dessus s'appliquent particulièrement en cas de mouflage. Dans ce cas, la mise en tension doit se faire avec une attention particulière (voir chapitre 11).

**IMPORTANT:** le minifor™ TR55 ne peut pas être mouflé car il n'est pas équipé de limiteur de charge comme exigé par la Directive Européenne 2006/42/CE pour le levage de charge supérieur à 1000kg»

**N.B.:** En cas d'utilisation de poulies de renvoi, l'utilisateur prendra soin de positionner les butées de fin de course comme indiqué au chapitre 5.4 (Fig. 13).

## 5. Mise en service

### 5.1. Vérifications préliminaires

- Charge ou effort, non supérieur à la charge maximale d'utilisation de l'appareil.
- Les poulies de renvoi augmentent l'effort à produire pour lever une charge dans des proportions non négligeables.
- Résistance du point fixe suffisante pour appliquer en toute sécurité un effort égal à la charge maximale d'utilisation (ou au double de cette charge dans le cas 4.4.5).
- Amarrage correct.
- Câble de levage en bon état.
- Longueur du câble de levage suffisante pour le trajet de la charge. Compter un supplément d'au moins 1.50 m pour le passage dans l'appareil et une longueur de brin mou apparent suffisante.
- Longueur du câble électrique de commande suffisante pour relier l'appareil à l'emplacement prévu de l'opérateur dans des conditions satisfaisantes de sécurité.

### 5.2. Recommandations d'ordre électrique

1. Avant chaque mise en service sur un nouveau branchement, se reporter à la plaque d'identification du moteur.  
Se renseigner sur les caractéristiques du courant fourni : **monophasé** ou **triphase**, tension, ampérage disponible. Vérifier que le courant fourni est compatible avec les caractéristiques indiquées sur la plaque d'identification du moteur. L'intensité disponible doit être égale ou supérieure à celle indiquée sur la plaque du moteur.
2. En cas d'utilisation d'une rallonge d'alimentation, choisir une rallonge ayant les caractéristiques suivantes :
  - **monophasé** 230 V. : 3 fils (1 phase, 1 neutre, 1 terre) de section 2.5 mm<sup>2</sup>.
  - **triphase** 400 V. : 4 fils (3 phases, 1 terre) de section 2.5 mm<sup>2</sup>.
 Ces caractéristiques sont valables jusqu'à 50 m de longueur de câble électrique. Au-delà, consulter le réseau TRACTEL®.
3. La connexion de la rallonge électrique doit être renforcée par un accessoire («chaussette») évitant de faire supporter le poids de la rallonge aux prises de connexion.
4. Le changement de la prise livrée sur le câble électrique d'alimentation nécessite l'intervention d'un technicien qualifié. Toute intervention sur le câble de la boîte à boutons doit être réservée à un technicien qualifié. Aucune intervention sur le boîtier électrique de l'appareil (sauf changement de fusible) ne doit être fait en dehors d'un réparateur agréé TRACTEL®.



5. S'assurer que l'installation du chantier ou de l'immeuble sur laquelle est raccordé le minifor™ est équipée des dispositifs de sécurité électrique réglementaires tels que disjoncteur différentiel et liaison à la terre, protégeant l'opérateur, le minifor™ et son équipement.
6. Si le minifor™ est alimenté à partir d'un groupe électrogène, vérifier que celui-ci délivre au minimum la tension et la puissance au démarrage requises. (6 kVa pour minifor™ monophasé 8 kVa pour minifor™ triphasé).

### 5.3. Cas des appareils à moteur triphasé (TR30S / TR50 / TR55)

Les appareils à moteur triphasé sont équipés d'un détecteur de sens de phase qui interdit le fonctionnement en cas d'ordre inversé. Si après raccordement inversé le minifor™ (TR30S / TR50 / TR55) triphasé ne fonctionne pas, déconnecter la prise de courant et à l'aide d'un tournevis, tourner de 180° l'empreinte située à l'intérieur de la prise mâle pour rétablir le bon ordre des phases. (voir Fig. 14).

### 5.4. Mise en place du câble de levage dans l'appareil

**NOTA** : Il est recommandé de se munir de gants pour manipuler le câble.

- Il est indispensable que le câble soit complètement déroulé et dévillé sur toute sa longueur avant son montage dans l'appareil.
- Graisser le câble de levage pour faciliter son introduction dans l'appareil.
- Vérifier que la butée de fin de course haute est engagée sur le câble de levage (ressort vers l'appareil) du côté du crochet de câble.
- Brancher le câble d'alimentation sur la prise de courant.
- **Introduire l'extrémité libre du câble de levage** (pointe soudée et arrondie) dans l'appareil par **l'orifice d'engagement dont l'emplacement est marqué par une flèche** sur le carter.

**N.B.** : veillez à ne jamais introduire le câble dans l'autre orifice, celui-ci est exclusivement réservé à la sortie du câble. **Ne jamais fixer une charge sur le brin mou du câble.**

- Appuyer sur le bouton "Montée" de la boîte à boutons en poussant le câble de façon qu'il s'engage sur la poulie située à l'intérieur de l'appareil. (Pour les appareils à courant triphasé, voir 5.3).
- Lorsque le câble ressort de l'appareil, prolonger le mouvement de façon à obtenir une longueur de câble dépassant d'environ un mètre.
- Enfiler sur l'extrémité libre du câble (1) la butée de fin de course basse, de façon que l'extrémité du ressort soit proche de l'appareil (2) et visser la vis située sur

la bague de butée (3) à l'aide de la clé ALLEN (4). Il doit y avoir **au moins un mètre de câble entre cette bague et l'extrémité du câble.**

- Vérifier que le dispositif de butée ne peut pas glisser sur le câble. (Fig. 15).

**N.B.** : On peut souhaiter limiter davantage la course de la charge vers le bas ; dans ce cas on fera défiler la longueur de câble correspondante avant de fixer la bague de butée.

Fixer, de l'autre côté, la bague de la butée de fin de course haute suivant la hauteur à laquelle on veut éventuellement limiter la course de la charge vers le haut. Fixer et vérifier suivant la même procédure que pour la butée de fin de course bas.

- Vérifier le bon fonctionnement des leviers de fin de course de l'appareil et des autres dispositifs de sécurité comme indiqué au chapitre 8.

**La présence d'une butée de fin de course environ un mètre avant l'extrémité libre du câble de levage et d'une autre butée de fin de course du côté du crochet de câble, toutes deux solidement et convenablement fixées, est une exigence impérative de sécurité.**

### 5.5. Butées de fin de course et poulies

Si le montage de l'installation comporte une ou plusieurs poulies de renvoi, on aura soin de n'utiliser que des poulies de diamètre adéquat. Dans ce cas, les butées de fin de course haute (1) et basse (2) devront être positionnées sur le câble de façon que ni la butée de fin de course haute, ni la charge ne puissent venir au contact d'une poulie. La butée de fin de course haute devra évidemment être fixée entre l'appareil et la poulie qui en est la plus proche sur le parcours du câble. (Voir Fig. 13).



#### IMPORTANT

Vérifier la compatibilité de la résistance des points d'ancrages et des poulies avec les efforts qui lui sont appliqués.

### 5.6. Vérification sous charge

La charge étant accrochée, soulever celle-ci à faible hauteur et vérifier le bon fonctionnement des commandes "Montée" et "Descente", ainsi que de la commande "Arrêt d'urgence".

Si ces fonctions opèrent normalement, on peut alors procéder aux manœuvres. Sinon, retourner l'appareil à un réparateur agréé du réseau TRACTEL® (Voir également Chap. 5.3).

## 6. Manœuvre

La manœuvre de l'appareil se fait en appuyant sur l'une ou l'autre commande "Montée" ou "Descente" de la boîte à boutons (Fig. 2) ; celle-ci doit toujours être tenue dans la position verticale où elle pend à son câble de commande. Ne pas la placer en position renversée (c'est-à-dire entrée de câble électrique vers le bas), ce qui pourrait provoquer des erreurs de manœuvre.

Dès qu'on cesse d'appuyer sur le bouton "Montée" ou "Descente", le mouvement s'arrête. Dans le cas d'une opération de levage sur grande hauteur avec un minifor™, il est recommandé de respecter un temps d'arrêt d'environ 15 minutes tous les cinquante mètres de marche pour éviter un échauffement excessif.

Tous les moteurs sont protégés contre les échauffements excessifs par une sonde thermique insérée dans le bobinage. Cette sonde interdit le fonctionnement en interrompant le circuit de commande tant que la température du bobinage n'est pas revenue à une valeur acceptable.

**N.B.** : Un échauffement du carter jusqu'à 80° est normal.

Un bouton d'arrêt d'urgence, rouge, permet d'arrêter le mouvement en cas de mauvais fonctionnement des boutons "Montée" ou "Descente" (Voir chapitre 8 : Dispositifs de sécurité).

La manœuvre de montée ou descente doit être accompagnée des précautions suivantes :

- Éviter à la charge de se balancer ou de tourner.
- Tenir tout obstacle à l'écart du câble de levage ou de la charge.
- S'assurer que le brin mou est libre sur toute sa longueur.
- Ne pas laisser le brin chargé prendre du mou si la charge n'est pas en appui stable sur un support suffisamment résistant.
- Éviter d'actionner la boîte à boutons par impulsions successives (pianotage).



### IMPORTANT

Il est indispensable de tenir le brin mou à l'écart du brin chargé et, a fortiori, des deux brins chargés, dans le montage mouflé, de façon que ce brin mou ne s'emmêle pas avec les autres brins.

**Pour les mêmes raisons, il est indispensable de tenir ce brin mou à l'écart de tout obstacle pouvant le retenir, et d'éviter qu'il s'emmêle sur lui-même, ce qui pourrait avoir pour effet notamment d'empêcher la butée de fin de course basse qui y est fixée, d'atteindre les organes d'arrêt (leviers**

**de fin de course) de l'appareil. Un blocage du brin mou dans son mouvement de montée (Descente de la charge) peut entraîner la rupture du câble et la chute de la charge.**

**Une déformation du câble peut également entraîner le blocage dans l'appareil ou au contact avec l'appareil de la partie déformée. Quelle que soit la cause du blocage du câble dans son mouvement, arrêter immédiatement la manœuvre sans insister. Voir chapitre 13.**

**Les butées de fin de course ne sont pas des organes de manœuvre mais des organes de sécurité. Elles ne doivent donc pas être utilisées volontairement mais servent uniquement d'organes d'arrêt en cas de dépassement involontaire de la course prévue.**

**Ne jamais stationner ni travailler sous la charge. Au besoin, disposer au sol une barrière de sécurité autour de la zone sous la charge.**

## 7. Mise hors service - stockage

Ne déconnecter le crochet de câble de la charge que lorsque celle-ci est en appui stable sur un support fixe et suffisamment solide.

L'appareil peut rester à poste à condition que ce soit à l'abri des intempéries et dans un endroit sec. Débrancher électriquement l'appareil quand il n'est pas en cours d'emploi.

Tenir l'appareil hors de l'intervention de personnes non autorisées à l'employer.

Pour son stockage, l'appareil peut être conservé dans son coffret. Le câble doit être retiré de l'appareil (sauf pour les à enrouleur) et enroulé sur sa bobine.

L'appareil ne doit jamais être posé sur sa base lorsque le câble est engagé dans l'appareil, ce qui aurait pour effet de plier le câble et de le détériorer.

## 8. Dispositifs de sécurité

Les dispositifs de sécurité présentés par les appareils sont les suivants :

- Moteur frein à manque de courant électrique.
- Commande d'arrêt d'urgence sur la boîte à boutons - Couleur rouge (voir Fig. 2).
- Verrouillage mécanique interdisant l'action simultanée des commandes Montée et Descente.
- Commande en très basse tension 48 V pour appareils triphasés.
- Leviers de fin de course haut et bas sur l'appareil, coopérant avec les butées sur câble.

- Linguets de sécurité (1) sur crochets (Fig. 16 et 17).
- Protection électrique de la boîte à boutons : classe 2.
- Fusible de protection de la commande, dans coffret électrique.
- limiteur de charge électrique sur minifor™ TR110

L'arrêt d'urgence est obtenu par pression sur le bouton rouge (Fig. 2). Pour permettre le redémarrage, après arrêt d'urgence, il faut désenclencher le bouton d'arrêt d'urgence en le faisant tourner dans le sens des flèches marquées sur celui-ci, après s'être assuré que les conditions d'urgence ont disparu.

## 9. Câble de levage

A l'une de ses extrémités, le câble du minifor™ comporte un crochet de sécurité monté sur une boucle du câble équipée d'une cosse et sertie dans un manchon métallique (voir Fig.17). L'autre extrémité est soudée et meulée. Elle doit être maintenue soudée, arrondie et sans aspérité (voir Fig. 18).

Il est essentiel, pour garantir la sécurité d'emploi des appareils minifor™, de les utiliser exclusivement avec du câble minifor™ conçu spécialement pour ces appareils, de diamètre 6.5 mm.

**L'utilisation de câble détérioré ou non adapté à l'appareil constitue le risque majeur d'accident et de panne.** Il est donc nécessaire de surveiller constamment le bon état du câble et d'éliminer immédiatement tout câble présentant des signes de détérioration tels que déformation, pliure ou rupture de fils (Fig. 19). Tout câble dont l'usure a réduit le diamètre nominal de 10 % ou qui comporte plus de 10 fils coupés sur 200 mm de longueur doit être éliminé. Norme ISO 4309 (Mesurer comme indiqué (Fig. 20)).

Ne pas exposer le câble à une température supérieure à 100°C ni à l'agression d'agents mécaniques ou chimiques.

Stocker le câble enroulé sur une bobine à l'abri de l'humidité après l'avoir convenablement nettoyé et graissé sur toute sa longueur. Ne pas utiliser de graisse ou huile contenant du bisulfure de molybdène ou des additifs graphités.

## 10. Entretien

L'entretien de l'appareil consiste à en surveiller le bon état, à le nettoyer, à le faire contrôler périodiquement (au moins une fois par an) par un réparateur agréé TRACTEL®. Aucun graissage ni lubrification de l'appareil n'est à effectuer par l'utilisateur. (Pour l'entretien du câble de levage voir chapitre 9). Veiller à ce que la vis de fixation du crochet de suspension de

l'appareil et l'écrou-frein de fixation de la poignée soient toujours serrés efficacement. Changer si nécessaire.

**Tout détérioration apparente de l'appareil et de son équipement, notamment de ses crochets, câble de levage et conducteurs électriques doit faire l'objet d'une remise en état avant de reprendre l'utilisation.**



### IMPORTANT

L'ouverture de l'appareil, sauf pour changer le fusible dans le boîtier électrique, ne doit être opérée que par un réparateur agréé du réseau TRACTEL®.

## 11. minifor™ mouflé (fig. 25.c)

### 11.1. Description

Un kit de mouflage minifor™ peut être monté sur tous les modèles «minifor™ TR10/TR30/TR30S/TR50/TR110 uniquement. Ce montage permet de doubler la capacité (charge maximale d'utilisation) de l'appareil (sauf modèle TR 50). En contrepartie, la vitesse est diminuée de moitié.

Le minifor™ ne doit pas être mouflé autrement qu'avec le kit de mouflage minifor™. Aucun système complémentaire ne doit être ajouté.

Le kit de mouflage minifor™ comporte (Fig. 21) :

- Un dispositif d'accrochage du brin porteur,
- Une poulie de mouflage avec crochet à linguet en standard (ou crochet auto-bloquant en option) équipée d'un ressort de fin de course haute,
- Une notice de montage code.

**Ce kit doit être utilisé que pour le mouflage d'un minifor™**

### 11.2. Montage

L'utilisateur doit noter qu'en cas de mouflage, la longueur nécessaire de câble est au moins le double de la hauteur de levage plus environ 2 m dont un mètre de brin mou apparent.

Le ressort de fin de course couissant sur la poulie de mouflage est prévu pour remplacer la butée de fin de course haute livrée avec le câble. Toutefois, si on veut limiter la course vers le haut, il reste possible d'ajouter la butée de fin de course haute standard, à placer entre la poulie et l'entrée de câble de l'appareil marquée par une flèche.



### IMPORTANT

En cas de mouflage, doubler la charge maximale d'utilisation à prendre en compte pour les calculs de sécurité.

FR

**NOTA :** Prendre soin de monter la poulie de mouflage de façon que le ressort de fin de course coulissant soit situé sur le câble entre la poulie et l'entrée de câble de l'appareil. Voir notice d'instructions du kit de mouflage. La figure 25 montre les différentes configurations du minifor™.

**NOTA :** Compte tenu des risques d'emmêlement des brins du câble de levage, il est déconseillé d'utiliser le minifor™ autrement que pour le levage vertical direct (Fig. 5) lorsqu'il est mouflé.

### 11.3. Manœuvre

Lors de la manœuvre avec le système de mouflage, l'opérateur **veillera spécialement à ce que la charge ne tourne pas**, afin d'éviter d'emmêler les trois brins du câble (deux brins chargés + brin mou). Arrêter immédiatement le mouvement de la charge si le brin mou vient à s'emmêler avec les autres brins et le dégager avant de reprendre le mouvement.

Pour plus de détails sur l'emploi du minifor™ mouflé, se reporter à la notice d'instructions livrée avec le kit de mouflage minifor™.

## 12. minifor™ spéciaux

### 12.1. minifor™ TR10/TR30 avec enrouleur intégré

Les modèles TR10/TR30 peuvent être livrés en option équipés d'un enrouleur de câble à rappel par ressort, garni de son câble équipé en deux longueurs suivant demande : 20, 27 ou 40 m. (Fig 25.d).

Cet équipement permet de supprimer la présence d'un « brin mou » de longueur variable.

L'ensemble est livré avec les deux butées de fin de course haute et basse montées sur le câble. Le crochet du câble est muni d'un lest. Ce lest est indispensable et ne doit pas être enlevé.

**L'enrouleur doit être monté en usines.** L'utilisateur peut retourner à Tractel® un appareil précédemment acquis pour y faire monter cet enrouleur.

L'appareil doit être mis en place et utilisé de façon à ce que son enrouleur puisse tourner librement **sans frotter contre aucun obstacle extérieur.**



### IMPORTANT

Le minifor™ équipé d'un enrouleur ne doit pas être utilisé en appui sur une plateforme (risque de frottement).

### 12.2. minifor™ à télécommande radio HF (Fig. 25.b)

Tous les modèles de minifor™ peuvent être livrés en option équipés d'un dispositif de télécommande composé d'un émetteur de commande portatif (Fig. 22.a) et d'un récepteur situé sur l'appareil (Fig. 22.b). L'émetteur fonctionne sur batterie. Ce dispositif permet de commander à distance la montée, la descente et l'arrêt de l'appareil, sans câble de commande. Il fonctionne par transmission d'onde radio HF codée.

Le codage de chaque appareil est modifiable par l'utilisateur, principalement pour le cas d'utilisation de plusieurs appareils à télécommande sur le même site.

Les touches de l'émetteur et du récepteur doivent être en position de codage identique. Se référer aux documents du constructeur de la radiocommande, livrés avec l'appareil.

**Il est fortement recommandé de manœuvrer le minifor™ radiocommandé en restant toujours en vue de la charge. A défaut, des mesures adéquates doivent exclure les risques non maîtrisés qui pourraient s'ensuivre.**

**N.B. :** le boîtier émetteur doit être manipulé et conservé avec soin car il peut se détériorer par choc.

**NOTA :** En l'absence de modification du codage, toute manipulation de l'émetteur entraînera la mise en mouvement identique et quasi simultanée de tous les appareils à radiocommande se trouvant sur le même site à portée de commande.

**NOTA :** La portée radio lorsque l'émetteur est orienté vers la face avant du récepteur est de 500 m. maxi en champ libre.

Cette portée peut toutefois être altérée dans une autre situation du fait notamment :

- de la présence d'obstacles.
- de l'existence de perturbations électro-magnétiques.
- de certaines conditions atmosphériques.

En cas de difficultés ou utilisation particulière, consulter le réseau Tractel®.

**NOTA :** Lors de la manœuvre, il faut tenir compte d'un léger temps de réaction du système. La manœuvre de

plusieurs appareils à partir d'un même émetteur ne permet donc pas une synchronisation rigoureuse.

Ce dispositif de télécommande est agréé en France par l'autorité de régulation des télécommunications (ART) sans obligation de licence individuelle. Aucune modification ne doit être apportée à ce dispositif de télécommande.

L'utilisation du minifor™ à radiocommande hors de France est subordonnée à une vérification de compatibilité avec la réglementation locale des ondes radio.

Les minifor™ radiocommandés ne comportent pas de boîte à boutons reliée par câble de commande. (Option sur demande).

### 13. Contre-indications d'emploi

L'utilisation des appareils minifor™ conformément aux indications de la présente notice donne toute garantie de sécurité. Il apparaît toutefois utile de mettre l'opérateur en garde contre les manipulations fautives suivantes :

#### IL EST INTERDIT :

- D'utiliser un appareil minifor™, même occasionnellement, pour le levage de personnes.
- D'utiliser un appareil minifor™ pour d'autres opérations que celles auxquelles il est destiné ou suivant des schémas de montage autres que ceux décrits dans la présente notice.
- D'utiliser un appareil au-delà de sa charge maximale d'utilisation.
- De procéder à la mise en place de l'appareil dans des conditions dangereuses pour l'opérateur.
- D'amarrer la charge au crochet de l'appareil et le crochet de câble au point fixe.
- D'amarrer l'appareil par sa poignée.
- De mettre l'appareil en service sans vérifier la présence correcte des deux butées de fin de course.
- De brancher l'appareil sur une prise sans s'assurer de la conformité à l'appareil du courant fourni et de la présence sur le circuit des dispositifs de sécurité électrique règlementaires.
- De fixer l'appareil dans une structure (sauf cas décrit au chapitre 4.2) ou de gêner son auto-alignement sur le câble.
- De moufler un appareil par des moyens autres que le kit de mouflage minifor™.
- De ripier une charge au sol par un appareil non situé dans l'alignement du déplacement de la charge.
- De forcer la manœuvre en cas de blocage du câble dans ou contre l'appareil.
- De manœuvrer un appareil en alimentation triphasée avec des commandes inversées par rapport au sens affiché.

- D'appliquer une charge sur le brin mou du câble de levage.
- D'utiliser en appui un appareil mouflé.
- D'utiliser le câble de levage comme moyen d'élinguer la charge.
- De laisser la charge se balancer sous l'appareil.
- De stationner ou se déplacer sous la charge.

### 14. Marquage

exemple de marquage sur la figure 26.

- 1 : Marquage de certification (ex: CE...)
- 2 : Type d'appareil
- 3 : Charge de rupture mini. du câble
- 4 : Charge maximale d'utilisation
- 5 : Puissance acoustique garantie
- 6 : Tension moteur
- 7 : Vitesse de montée et de descente
- 8 : Se référer à la notice d'instructions d'emploi et d'entretien
- 9 : Année de fabrication
- 10 : Puissance moteur
- 11 : N° de série
- 12 : Fréquence moteur
- 13 : Diamètre du câble
- 14 : Nom et adresse du fabricant
- 15 : Nombre de phases
- 16 : Classification F.E.M.

## 15. Anomalies de fonctionnement

Anomalie	Cause possible	Action
1 - Blocage du câble	<ul style="list-style-type: none"> <li>• Déformation du câble à l'intérieur ou au contact de l'appareil.</li> <li>• Accrochage du brin mou autour d'un autre brin ou d'un obstacle.</li> <li>• Accrochage de la charge en montée.</li> </ul>	<ul style="list-style-type: none"> <li>• Arrêter immédiatement la manœuvre sans insister.</li> <li>• Reprendre la charge par un autre poyen offrant des garanties réglementaires de sécurité et dégager l'appareil hors charge. Tenter de sortir le câble de l'appareil. Si cela est impossible renvoyer l'appareil et son câble à un réparateur agréé TRACTEL®.</li> <li>• Si une anomalie apparaît sur le câble, éliminer celui-ci.</li> <li>• Dégager impérativement le brin mou et vérifier le câble avant de reprendre le mouvement.</li> <li>• Dégager la charge et vérifier le câble avant de reprendre de mouvement.</li> </ul>
2 - Absence de rotation du moteur	<ul style="list-style-type: none"> <li>• Arrêt d'urgence enclenché.</li> <li>• Levier de fin de course dans l'appareil, actionné.</li> <li>• Fusible brûlé.</li> <li>• Levier de fin de course bloqué ou cassé.</li> <li>• Alimentation coupée, prise ou connecteur défectueux.</li> <li>• Contacteurs ou boîte à boutons défectueux.</li> <li>• Le moteur après un usage intensif est trop chaud et la sonde thermique est déclenché (moteur monophasé 230V).</li> <li>• Phases inversées (moteur triphasé).</li> </ul>	<ul style="list-style-type: none"> <li>• Désenclencher le bouton d'arrêt d'urgence (rotation).</li> <li>• Si l'arrêt est provoqué par l'intervention de la butée de fin de course sur le levier, manœuvrer en sens inverse.</li> <li>• Changer le fusible (fusible calibre 2A protection de la commande).</li> <li>• Renvoyer l'appareil à un réparateur agréé TRACTEL®.</li> <li>• Réparer par un électricien.</li> <li>• Renvoyer l'appareil à un réparateur agréé TRACTEL®.</li> <li>• Attendre le refroidissement.</li> <li>• Voir le chapitre 5.3.</li> </ul>
3 - Rotation du moteur dans un seul sens	<ul style="list-style-type: none"> <li>• Fin de course endommagé.</li> <li>• Contacteur ou boîte à boutons défectueux.</li> <li>• Bobine de contacteur grillée.</li> </ul>	<ul style="list-style-type: none"> <li>• Renvoyer l'appareil à un réparateur agréé TRACTEL®.</li> </ul>

Anomalie	Cause possible	Action
4 - Rotation faible du moteur avec "grognement".	<ul style="list-style-type: none"> <li>• Réseau d'alimentation défectueux.</li> <li>• Forte chute de tension.</li> <li>• Maintien fermé du frein électromagnétique.</li> <li>• Manque de couple au démarrage (condensateur permanent défectueux ou coupure d'un enroulement du bobinage moteur).</li> <li>• Réducteur ou frein défectueux</li> <li>• Surcharge.</li> </ul>	<ul style="list-style-type: none"> <li>• Vérifier la tension d'alimentation.</li> <li>• Renvoyer l'appareil à un réparateur agréé TRACTEL® si la tension d'alimentation ou la surcharge n'est pas en cause.</li> <li>• Réduire la charge ou modifier.</li> </ul>
5 - Impossibilité d'introduire le câble.	<ul style="list-style-type: none"> <li>• Câble de diamètre excessif.</li> <li>• Pointe de câble défectueuse.</li> <li>• Déformation du câble.</li> <li>• Pour un modèle triphasé, commande inversées.</li> <li>• Pièces de guidage interne détériorées.</li> </ul>	<ul style="list-style-type: none"> <li>• Vérifier le diamètre. Remplacer par un câble de diamètre correct.</li> <li>• Le cas échéant ressouder au chalumeau la pointe du câble. Meuler et arrondir.</li> <li>• Supprimer la partie déformée. Couper, ressouder, meuler l'extrémité coupée.</li> <li>• Actionner le bouton "Descente". Si le câble s'engage normalement, actionner le bouton "Montée" pour le dégager et inverser les phases sur la prise aménagée à cet effet.</li> <li>• En l'absence des causes ci-dessus, renvoyer le minifor™ à un réparateur agréé TRACTEL®.</li> </ul>
6 - Le câble glisse ou patine à la montée.	<ul style="list-style-type: none"> <li>• Câble de diamètre trop faible.</li> <li>• Usure du câble supérieure à 10% du diamètre nominal.</li> <li>• Forte usure du système de serrage.</li> </ul>	<ul style="list-style-type: none"> <li>• Vérifier le diamètre du câble comme indiqué dans la notice. S'il apparait que le câble est non conforme ou usé, éliminer celui-ci et prendre un câble neuf.</li> <li>• Si le câble est normal, renvoyer le minifor™ à un réparateur agréé TRACTEL®.</li> </ul>
7 - La descente de la charge n'est plus freinée : le câble glisse malgré l'arrêt du moteur.	<ul style="list-style-type: none"> <li>• Frein dérégulé.</li> <li>• Garniture de frein usée.</li> <li>• Garniture de frein imbibée d'huile ou de graisse.</li> <li>• Surcharge.</li> </ul>	<ul style="list-style-type: none"> <li>• Régler l'entrefer.</li> <li>• Renvoyer l'appareil à un réparateur agréé TRACTEL®.</li> </ul>
8 - Le moteur s'arrête en cours de manœuvre.	<ul style="list-style-type: none"> <li>• Le moteur après usage intensif est trop chaud et la sonde thermique est déclenchée.</li> </ul>	<ul style="list-style-type: none"> <li>• Attendre le refroidissement.</li> </ul>

Inhalt	Seite
ALLGEMEINE WARNHINWEISE.....	32
1. Präsentation .....	33
2. Technische Daten .....	34
3. Zubehör- und ersatzteile .....	35
4. Anschlagen – montagepläne .....	35
5. Inbetriebnahme .....	36
6. Betrieb .....	38
7. Ausserbetriebnahme - lagerung .....	38
8. Sicherheitsvorrichtungen .....	38
9. Hubseil .....	39
10. Wartung .....	39
11. minifor™ mit Umlenkrolle (Abb. 25.c) .....	39
12. minifor-sonderausführungen .....	40
13. Anwendungsverbote .....	41
14. Kennzeichnungen .....	41
15. Funktionsstörungen .....	42

Im Rahmen der ständigen Verbesserung seiner Produkte behält sich TRACTEL® Änderungen aller Art an den in dieser Anleitung beschriebenen Ausrüstungen vor.

Die Firmen der TRACTEL®-Gruppe und ihre Vertragshändler liefern Ihnen auf Anfrage die Dokumentation über die gesamte TRACTEL®-Produktreihe: Hebezeuge und Zugmittel, vorübergehende und permanente Zugangstechnik, Sicherheitsvorrichtungen, elektronische Lastanzeiger, Zubehöre wie Flaschen, Haken, Schlingen, Anker, usw.

Das TRACTEL®-Netz bietet Ihnen einen Kundendienst und eine regelmäßige Wartung an.

## ALLGEMEINE WARNHINWEISE

1. Vor der Installation und Benutzung dieses Gerätes müssen Sie zur Gewährleistung der Betriebssicherheit und einer optimalen Effizienz der Ausrüstung unbedingt die vorliegende Anleitung zur Kenntnis nehmen und die darin enthaltenen Vorschriften einhalten. Ein Exemplar dieser Anleitung muß allen Benutzern zur Verfügung gestellt werden. Auf Anfrage sind zusätzliche Exemplare erhältlich.
2. Benutzen Sie das Gerät nicht, wenn eines der in Abschnitt 14. Kennzeichnungen dieser Anleitung aufgeführten am Gerät befestigten Schilder oder deren Beschriftung fehlt oder nicht lesbar ist. Auf Anfrage an Tractel® sind identische Schilder erhältlich, die vor dem weiteren Betrieb des Gerätes angebracht werden müssen.
3. Stellen Sie sicher, daß alle Personen, die Sie mit der Benutzung des Gerätes beauftragen, mit dessen Handhabung vertraut und in der Lage sind, die für den geplanten Einsatz geltenden Sicherheitsvorschriften einzuhalten. Die vorliegende Anleitung muß ihnen zur Verfügung gestellt werden.
4. Die Handhabung des Gerätes muß in Übereinstimmung mit den für die Installation, Benutzung, Wartung und Prüfung von Materialhebezeugen geltenden Vorschriften und Sicherheitsnormen erfolgen.
5. Bei gewerblicher Nutzung muß das Gerät einer Person anvertraut werden, die die geltenden Vorschriften kennt und über die notwendige Autorität verfügt, um deren Einhaltung sicherzustellen, wenn sie das Gerät nicht selbst benutzt.
6. Jeder, der das Gerät zum ersten Mal benutzt, muß vor dem Anlegen der Last risikofrei bei einer geringen Hubhöhe sicherstellen, daß er die sichere und effiziente Handhabung völlig verstanden hat.
7. Die Anbringung und Inbetriebnahme des Gerätes muß unter Bedingungen erfolgen, die die Sicherheit des Installateurs gemäß den für seine Kategorie geltenden Vorschriften garantieren.
8. Vor jeder Benutzung des Gerätes müssen Sie sicherstellen, daß das Gerät sowie die damit verwendeten Zubehörteile sichtbar in einwandfreiem Zustand sind.
9. Die GREIFZUG GmbH lehnt jede Haftung für die Benutzung des Gerätes in einer nicht in dieser Anleitung beschriebenen Montagekonfiguration ab.
10. Das Gerät muß an einem Befestigungspunkt und an einer Struktur eingehakt werden, deren Tragfähigkeit den in dieser Anleitung gemachten Angaben entspricht. Beim Einsatz mehrerer Geräte hängt die notwendige Tragfähigkeit der Struktur von der Anzahl der Geräte und deren Tragfähigkeit ab.



11. Jede Änderung des Gerätes außerhalb der Kontrolle von GREIFZUG und jedes Entfernen eines Bauteils befreit die GREIFZUG GmbH von ihrer Haftung.
12. Die GREIFZUG GmbH garantiert die Funktionsfähigkeit des Gerätes nur, wenn es mit einem Original-GREIFZUG-Seil gemäß den Angaben dieser Anleitung ausgestattet ist.
13. Jede nicht in dieser Anleitung beschriebene Demontage des Gerätes bzw. jede Reparatur außerhalb der Kontrolle von GREIFZUG befreit die GREIFZUG GmbH von ihrer Haftung, insbesondere beim Ersatz von Originalteilen durch Teile anderer Herkunft.
14. Jede Änderung oder Reparatur des Seils außerhalb der Kontrolle von GREIFZUG befreit die GREIFZUG GmbH von ihrer Haftung für die Folgen dieser Maßnahme.
15. Das Gerät darf nie für andere als die in dieser Anleitung beschriebenen Arbeiten verwendet werden. Es darf nie für Lasten benutzt werden, die die auf dem Gerät angegebene Tragfähigkeit übersteigen. Es darf nicht in explosionsgefährdeter Umgebung eingesetzt werden.
16. Es ist verboten, das Gerät zum Heben oder Transportieren von Personen zu verwenden.
17. Wenn eine Last von mehreren Geräten gehoben werden muß, muß die Installation der Geräte nach einer zuvor von einem Sachkundigen durchgeführten technischen Studie durchgeführt werden, insbesondere um eine gleichmäßige Lastverteilung unter optimalen Bedingungen zu gewährleisten. Die GREIFZUG GmbH lehnt bei Benutzung des GREIFZUG-Gerätes in Verbindung mit Hebezeugen anderer Herkunft jede Haftung ab.
18. Während der Hubarbeiten muss der Benutzer beim Heben und Senken ständig die Last im Auge behalten.
19. Der Aufenthalt bzw. die Bewegung unter der Last sind verboten. Der Bereich unter der Last muß gekennzeichnet und abgesperrt werden.
20. Die ständige Prüfung des einwandfreien Gerätezustands und die ordnungsgemäße Wartung sind zur Gewährleistung der Betriebssicherheit unbedingt erforderlich. Das Gerät muß regelmäßig von einem von der GREIFZUG GmbH zugelassenen Sachkundigen gemäß dieser Anleitung geprüft werden.
21. Der einwandfreie Zustand des Seils ist eine Grundvoraussetzung für die Arbeits- und Funktionssicherheit des Gerätes. Die Prüfung des einwandfreien Seilzustands muß bei jeder Inbetriebnahme gemäß dem Kapitel „Seil“ erfolgen. Jedes Seil, das Anzeichen von Beschädigung aufweist, muß endgültig ausgemustert werden.
22. Wenn das Gerät nicht benutzt wird, muß es von unbefugten Personen ferngehalten werden.
23. Der Benutzer muß während des Betriebs sicherstellen, daß das Seil ständig von der Last gespannt wird und insbesondere, daß die Last beim Senken nicht vorübergehend von einem Hindernis blockiert wird, wobei die Gefahr besteht, daß das Seil beim Lösen der Last vom Hindernis bricht.
24. Bei einer endgültigen Außerbetriebnahme muß das Gerät so ausgemustert werden, daß seine Benutzung unmöglich ist. Die Umweltschutzvorschriften beachten.



### WICHTIG

Bei gewerblicher Nutzung, insbesondere wenn Sie das Gerät einer angestellten oder gleichgestellten Person anvertrauen müssen, müssen Sie die geltenden Arbeitsschutzbestimmungen hinsichtlich Montage, Wartung und Benutzung der Ausrüstung einhalten. Dies gilt vor allem in Bezug auf die vorgeschriebenen Prüfungen: Prüfung bei der ersten Inbetriebnahme durch den Benutzer, regelmäßige Prüfungen und Prüfungen nach Demontage oder Reparatur.

## 1. Präsentation

### 1.1. Funktionsprinzip

Der Minifor™ ist ein tragbarer elektrischer Motorseilzug zum Heben und Ziehen mit durchlaufendem Seil, der dank seines selbstklemmenden Antriebssystems eine beliebige Hubseillänge ermöglicht.

Das Antriebssystem besteht aus einer Seilrolle, deren Rille ein Spezialprofil aufweist und in der das Seil unter der Wirkung der Last durch zwei Gelenkrollen eingeklemmt wird.

Eine Vorspannfeder wirkt auf diese Rollen und sorgt für die Haftung des Seils auf der Seilrolle auch ohne Last. Über die Wirkung der Vorspannfeder hinaus ist die Klemmung des Seils auf der Antriebsrolle proportional zur Last.

Diese Konstruktion garantiert eine hohe Sicherheit unter der Voraussetzung, dass die Anweisungen der vorliegenden Anleitung im Kapitel „Anschlagen - Montagepläne“ befolgt werden.

Der Minifor™-Seilzug darf ausschließlich mit dem speziellen Minifor™-Hubseil des angegebenen Durchmessers (siehe technische Daten) benutzt werden, um eine optimale Betriebssicherheit und Effizienz zu garantieren.

TRACTEL® lehnt jede Haftung für die Folgen einer Benutzung des Geräts mit einem anderen als dem Minifor™-Seil ab.

Jedes Minifor™-Gerät wurde vor dem Versand einer Prüfung mit 110 % der Tragfähigkeit unterzogen.

## 1.2. Zusammensetzung einer Standardausstattung Minifor™

Jeder Minifor™ wird je nach Modell in einer Kartonverpackung oder in einer Stahlblechbox mit folgendem Inhalt geliefert:

- Das Gerät mit Steuerbirne, Tragegriff, Sicherheitshaken und einem Anschlusskabel mit Steckverbinder.
- Ein Plastikbeutel mit folgendem Inhalt:
  - eine Endschaltefeder zur Auslaufsicherung,
  - ein 3-mm-Inbusschlüssel für die Befestigung der Endschaltefedern am Seil.
- Ein Plastikbeutel mit folgendem Inhalt:
  - die vorliegende Gebrauchsanleitung
  - die EG-Konformitätserklärung
  - gegebenenfalls die Dokumente der Fernbedienung.
- Je nach gewählter Option, das Hubseil der gewünschten Länge auf einer Haspel, ausgestattet mit einem Sicherheitshaken und einer Endschaltefeder zur Hubbegrenzung

## 1.3. Beschreibung und Kennzeichnung

Abbildung 1 zeigt einen betriebsbereiten Standard-Minifor™ in der typischen Betriebsposition an einer an einem Träger befestigten Trägerklemme. Das Standardgerät wird mit 2,50 m Steuerkabel mit Steuerbirne (Abb. 2) und 0,50 m.

Anschlusskabel geliefert. Es kann auf Wunsch mit anderen Steuer- und Anschlusskabeln geliefert werden. Jedes Gerät trägt auf der Gehäuseoberseite eine Seriennummer. Diese Nummer muss bei jeder Ersatzteilbestellung bzw. bei jedem Reparaturauftrag vollständig (einschließlich Buchstaben) angegeben werden.


Stellen Sie ständig sicher, dass alle Etiketten vorhanden und lesbar sind.

Die Länge des Hubseils ist auf der Hülse an dem mit dem Haken verbundenen Seilende angegeben. Gegebenenfalls muss diese Länge geprüft werden, da das Seil nach der Auslieferung möglicherweise gekürzt wurde. Alle Minifor™ sind mit einer Steuerbirne (Abb. 2) mit IP 65-Schutzisolierung und 3 Tasten ausgestattet: Auf, Ab und Not-Aus.

**HINWEIS:** Die Angabe „Auf“ oder „Ab“ wird auf den entsprechenden Bedientasten durch einen bei hängender Steuerbirne in Bewegungsrichtung gerichteten Pfeil dargestellt (Abb. 2).

## 2. Technische Daten

Andere Spannungen und Frequenzen auf Wunsch.

	TR10		TR30		TR30S		TR50		TR55		TR110
	1~	1~	1~	3~	1~	3~	1~	3~	1~	3~	1~
Anzahl der Phasen	1~	1~	1~	3~	1~	3~	1~	3~	1~	3~	1~
Std.-Tragfähigkeit/m. Umlenkrolle (kg)	100 / 200	300 / 600	300 / 600		500 / 950		550 / -		550 / 1100		
Std.-Hubgeschw./m. Umlenkrolle (m/min)	15 / 7,5	5 / 2,5	13 / 6,5		7 / 3,5		7 / -		7 / 3,5		
Klasse FEM 9.511/ISO	-	-	1Bm / M3	1Bm / M3	1Bm / M3	1Bm / M3	1Bm / M3	1Bm / M3	1Bm / M3	1Bm / M3	
Leistung (kW)	0,25		1,1		1,1		1,1		1,1		1,1
Anlaufstrom (A)	25,5 / 17,3		54 / 16	19 / 11	54 / 16	19 / 11	54 / 16	19 / 11	54 / 16	19 / 11	16
Nennstrom (A)	7,5 / 3,9		16 / 8	5,9 / 3,4	16 / 8	5,9 / 3,4	16 / 8	5,9 / 3,4	16 / 8	5,9 / 3,4	8
Versorgungsspannung (V)	115 / 230		115 / 230	230 / 400	115 / 230	230 / 400	230	400	230	400	230
Steuerspannung (V)	115 / 230		115 / 230	230 / 400	115 / 230	230 / 400	230	400	230	400	230
Frequenz (Hz)	50		50		50		50		50		50
Stahseildurchmesser (mm)	6,5		6,5		6,5		6,5		6,5		6,5
Seilgewicht je Meter (kg)	0,17		0,17		0,17		0,17		0,17		0,17
Standardgewicht Gerät (ohne Seil) (kg)	21		33	33	33	33	33	33	33	33	43
Gewicht Seiltrommel mit 20 m Seil (kg)	+23		-	-	-	-	-	-	-	-	-
Gewicht Seiltrommel mit 27 m Seil (kg)	+28		-	-	-	-	-	-	-	-	-
Gewicht Seiltrommel mit 40 m Seil (kg)	+30		-	-	-	-	-	-	-	-	-
Gewicht Umlenkrollen-Bausatz (kg)	+5		+8		+8		+8		-		+8
 L <sub>WA</sub> dB(A)	86	85	88		90		90		90		90

### 3. Zubehör- und ersatzteile

Die folgenden Ersatz- und Zubehörteile können vom Benutzer bestellt und eingebaut werden:

- Endschaltefeder zur Hubbegrenzung und Auslaufsicherung (untereinander austauschbar).
- Hubseil mit Ösenhaken.
- Sicherung.
- Steckverbinder (Elektriker).

### 4. Anschlagen – montagepläne

Sicherstellen, dass der feste Anschlagpunkt eine für die einwirkende Kraft ausreichende Tragfähigkeit besitzt.

Wenn die Befestigung des Geräts an einem für den Bediener gefährlichen Ort erfolgen muss, müssen die von den Arbeitsschutzbestimmungen vorgesehenen Sicherheitsmaßnahmen ergriffen werden, um alle unkontrollierten Risiken bei dieser Maßnahme auszuschließen. In diesem Fall kann es sinnvoll sein, das Hubseil vor dem Anschlagen im Gerät anzubringen (siehe Kapitel 5).

Das Gerät kann hängend oder auf seiner Fußplatte stehend benutzt werden.

#### 4.1. Hängende Befestigung des Geräts

Dies ist die einfachste und häufigste Montage. Das Anschlagen des Geräts darf ausschließlich am Haken (abgesehen von 4.2 unten) und niemals am Handgriff erfolgen. Es ist streng verboten, den Seilhaken am Festpunkt anzuschlagen, so dass sich das Gerät beim Betrieb am Seil entlang bewegt (Abb. 3 obligatorische Montage, Abb. 4 verbotene Montage).

Der Geräterhaken muss so im Anschlagmittel des Befestigungspunkts angebracht werden, dass der Haken fest im Anschlagmittel sitzt. Die Sicherheitsklinke des Hakens muss vollständig geschlossen sein. Wenn die gelenkige Verbindung von Geräterhaken und Befestigungsmittel nicht frei beweglich ist, muss ein Stropp mit einer geeigneten Tragfähigkeit eingefügt werden.

#### 4.2. Auf der Fußplatte stehendes Gerät

Diese Installationsart verlangt spezielle Vorkehrungen:

1. Die Stützfläche, auf der das Gerät steht, muss eben und waagrecht sein.
2. Die Fläche muss für den Durchgang der zwei Seilstränge eine Öffnung aufweisen, deren Konfiguration und Abmessungen in Abbildung 24 angegeben sind. Die Abbildung zeigt die Stützfläche des Geräts und die Position auf der Öffnung.

3. Das Gerät muss so platziert werden, dass das belastete Hubseil nicht an den Rändern der Öffnung reibt und die am Seil befestigten Endschaltefedern ungehindert mit den Endschaltern des Geräts in Kontakt kommen können.
4. Das Gerät muss so verkeilt werden, dass jede Bewegung seiner Stützfläche ausgeschlossen ist.
5. Die Plattform, auf der das Gerät steht, muss eine ausreichende Stabilität und Tragfähigkeit für einen sicheren Betrieb bieten.
6. Die Last muss frei hängen (Abb. 5) oder mit dem Gerät über eine Umlenkrolle verbunden sein, die unbedingt ganz genau in der Lotrechten des Geräts liegen muss (Abb. 6).



#### WICHTIG

Bei dieser Montage niemals eine Last heben, ohne sie vorher in die Lotrechten des Geräts zu bringen, außer bei Verwendung einer Umlenkrolle.

#### 4.3. Anschlagen der Last

Das Anschlagen der Last muss unbedingt am Hubseilhaken und niemals am Geräterhaken erfolgen.

Das Anschlagen der Last muss mit Hilfe eines Strops erfolgen, dessen Tragfähigkeit, Abmessungen und Typ für das zu hebende Objekt geeignet sind. Es ist verboten, das Seil des Geräts als Stropp zu verwenden, indem es um ein Objekt geschlungen und in seinen Haken gelegt wird (Abb. 7 richtiges Anschlagen und Abb. 8 verbotenes Anschlagen).

#### 4.4. Montagepläne

##### 4.4.1. Hängendes Gerät, direkt hängende Last

Dies ist der einfachste Fall (Abb. 7). Die wesentliche Vorsichtsmaßnahme besteht darin, alle Hindernisse zu vermeiden, gegen die die Last oder das Hubseil seitlich schlagen bzw. gegen die die Last stoßen könnte.

##### 4.4.2. Hängendes Gerät, direktes schräges Heben

Für diesen Fall ist eine stabile schiefe Ebene erforderlich, auf der die Last gezogen und gehalten wird (Abb. 9).

##### 4.4.3. Hängendes Gerät, indirektes Ziehen oder Heben

Für diesen Fall ist eine an einem Festpunkt angeschlagene Umlenkrolle erforderlich (Abb. 11). Siehe ebenfalls Kap. 5.5.

#### 4.4.4. Horizontal angeschlagenes Gerät für direktes Ziehen

Aus Sicherheitsgründen ist es unerlässlich, dass das Gerät und das Seil niemals seitlich an ein Objekt stoßen können, wenn sie unter Spannung sind. (Abb. 10).

Stellen Sie **die perfekte Fluchtung des Geräts mit dem Seil** sicher, indem Sie das Gerät frei beweglich zum Beispiel mit einem Stropp anschlagen.

**Das Gerät niemals unbeweglich** an einer Tragstruktur befestigen. Die ungehinderte Bewegung der einzelnen Seiltrume frei von jeder Reibung sicherstellen.

**Anm.:** Wenn eine Umlenkrolle zum Hochziehen der Last auf einer schiefen Ebene verwendet wird, handelt es sich um den Fall Heben (Fall 4.4.3).

#### 4.4.5. Am Boden angeschlagenes Gerät

Heben per Umlenkrolle. Es gelten dieselben Empfehlungen wie im Fall 4.4.4. Die Tragfähigkeit der Umlenkrolle und ihrer Verankerung muss für eine dem Doppelten der Last entsprechende Beanspruchung ausgelegt werden. (Abb. 12). Siehe ebenfalls Kap. 5.5.

#### 4.4.6. Stehendes Gerät, frei hängende Last

Genau die Anweisungen von Kapitel 4.2. und Kapitel 5.5 einhalten. Ganz besonders darauf achten, dass das Schwingen der Last vermieden wird. Abb. 5 berücksichtigen.

#### 4.4.7. Stehendes Gerät, nicht frei hängende Last

Für diesen Anwendungsfall ist eine genau in der Lotrechten des Geräts angeschlagene Umlenkrolle erforderlich (Abb. 6). Siehe Kapitel 4.2 und Kapitel 5.5.

#### 4.4.8. Umlenkrolle

Alle oben stehenden Empfehlungen gelten insbesondere beim Einsatz einer Umlenkrolle. In diesem Fall muss das Spannen besonders vorsichtig erfolgen (siehe Kapitel 11).

**WICHTIG:** Der minifor™ TR55 kann nicht mit einer Umlenkrolle verwendet werden, da er nicht über den in der europäischen Richtlinie 2006/42/CE geforderten Lastbegrenzer für das Heben von Lasten über 1000 kg verfügt.

**Anm.:** Bei Verwendung von Umlenkrollen muss der Benutzer die Endschalterfedern gemäß Kapitel 5.4 anbringen (Abb. 13).

## 5. Inbetriebnahme

### 5.1. Vorherige Prüfungen

- Last oder Kraft nicht über der Tragfähigkeit des Geräts.
- Die Umlenkrollen erhöhen die zum Heben einer Last erforderliche Kraft ganz erheblich.
- Ausreichende Tragfähigkeit des Festpunkts für die sichere Anwendung einer der Tragfähigkeit des Geräts (oder dem Doppelten der Tragfähigkeit im Fall 4.4.5) entsprechenden Kraft.
- Korrektes Anschlagen.
- Hubseil in einwandfreiem Zustand.
- Länge des Hubseils für den Transport der Last ausreichend. Wenigstens 1,50 m zusätzlich für den Durchgang durch das Gerät und eine ausreichende Leertrumlänge vorsehen.
- Ausreichende Länge des Steuerkabels zur Verbindung des Geräts mit dem Aufenthaltsort des Bedieners unter optimalen Sicherheitsbedingungen.

### 5.2. Empfehlungen für den elektrischen Anschluss

1. Vor jeder Inbetriebnahme an einem neuen elektrischen Anschluss das Typenschild des Motors zur Kenntnis nehmen.

Die technischen Daten des vorhandenen Stroms prüfen: Einphasen- oder Dreiphasenstrom, Spannung, verfügbare Stromstärke. Sicherstellen, dass der verfügbare Strom mit den technischen Daten auf dem Typenschild des Motors übereinstimmt. Die verfügbare Stromstärke muss größer oder gleich jener auf dem Typenschild des Motors sein.

2. Bei Verwendung einer Verlängerungsschnur eine Schnur mit folgenden technischen Daten wählen:

- 230 V **Einphasenstrom:** 3 Drähte (1 Phase, 1 Neutraleiter, 1 Erde) Querschnitt 2,5 mm<sup>2</sup>,
- 400 V **Dreiphasenstrom:** 4 Drähte (3 Phasen, 1 Erde) Querschnitt 2,5 mm<sup>2</sup>.

Diese technischen Daten gelten für eine Kabellänge bis 50 m. Bei größeren Längen wenden Sie sich bitte an das TRACTEL®-Netz.

3. Der Anschluss der Verlängerungsschnur muss durch ein Zubehörteil („Kabeltülle“) verstärkt werden, das verhindert, dass das Gewicht der Verlängerungsschnur auf den Steckverbindern lastet.

4. Der Wechsel des Original-Anschlusskabel-Steckverbinders muss von einem qualifizierten Techniker durchgeführt werden. Alle Arbeiten am Kabel der Steuerbirne müssen von einem qualifizierten Techniker durchgeführt werden. Alle Arbeiten am Schaltkasten des Geräts (abgesehen vom Sicherungswechsel) müssen von einem zugelassenen TRACTEL®-Reparateur durchgeführt werden.

DE

5. Der Wechsel des Original-Anschlusskabel-Steckverbinders muss von einem qualifizierten Techniker durchgeführt werden. Alle Arbeiten am Kabel der Steuerbirne müssen von einem qualifizierten Techniker durchgeführt werden. Alle Arbeiten am Schaltkasten des Geräts (abgesehen vom Sicherungswechsel) müssen von einem zugelassenen TRACTEL®-Reparateur durchgeführt werden.
6. Wenn der Minifor™ von einem Generatorsatz angetrieben wird, sicherstellen, dass er mindestens die erforderliche Anlaufspannung und -leistung liefert. (6 kVA für den 1-Phasen-Wechselstrom-Minifor™ 8 kVA für den 3-Phasen-Drehstrom-Minifor™).

### 5.3. Geräte mit Drehstrommotor (TR30S/TR50/TR55)

Die Geräte mit Drehstrommotor sind mit einem Phasenfolgewächter ausgestattet, der den Betrieb bei Phasenfolgeumkehr verhindert. Wenn der Drehstrom-Minifor™ TR30S/TR50/TR55 nach einem umgekehrten Anschluss nicht funktioniert, die Netzsteckdose trennen und mit Hilfe eines Schraubendrehers den Schlitz im Inneren des Steckers um 180° drehen, um die richtige Phasenfolge wieder herzustellen. (Siehe Abb. 14).

### 5.4. Anbringung des Hubseils im Gerät

**HINWEIS:** Bei der Handhabung des Seils sollten Handschuhe getragen werden.

- Das Seil muss vor der Anbringung im Gerät unbedingt vollständig abgerollt und die Verdrehungen müssen auf seiner gesamten Länge beseitigt sein.
- Das Hubseil schmieren, um die Einführung in das Gerät zu erleichtern.
- Sicherstellen, dass die Endschaltefeder zur Hubbegrenzung auf dem Hubseil (Feder zum Gerät gerichtet) auf der Seilhaken Seite angebracht ist.
- Das Anschlusskabel an der Netzsteckdose anschließen.
- Das freie Ende des **Hubseils** (geschweißte und abgerundete Spitze) durch die **durch einen Pfeil** auf dem Gehäuse **markierte Einführöffnung** in das Gerät **einführen**.

**Anm.:** Achten Sie darauf, dass das Seil niemals in die andere Öffnung eingeführt wird, diese dient ausschließlich dem Ausgang des Seils. **Niemals eine Last am Leertrum des Seils anschlagen.**

- Auf die „Auf“-Taste der Steuerbirne drücken und dabei das Seil so einschieben, dass es von der Rolle im Inneren des Geräts erfasst wird. (Bei Drehstromgeräten, siehe 5.3).
- Wenn das Seil aus dem Gerät austritt, die Bewegung fortsetzen, bis eine Seillänge von etwa einem Meter erreicht ist.

- Die Endschaltefeder zur Auslaufsicherung so auf das freie Ende des Seils (1) aufschieben, dass das Federende (2) sich nah am Gerät befindet und die Schraube auf dem Anschlagring (3) mit Hilfe des Inbusschlüssels (4) festziehen. Dabei muss **wenigstens ein Meter Seil zwischen dem Ring und dem Seilende vorhanden sein.**
- Sicherstellen, dass sich die Anschlagvorrichtung nicht auf dem Seil verschieben kann. (Abb. 15).

**Anm.:** Möglicherweise soll die Abwärtsbewegung der Last stärker begrenzt werden; in diesem Fall muss die Endschaltefeder um die entsprechende Seillänge weitergeschoben werden, bevor der Anschlagring festgezogen wird.

Am anderen Seilende die Endschaltefeder zur Hubbegrenzung in der Höhe festziehen, in der die Last stoppen soll. Dasselbe Befestigungs- und Prüfverfahren wie bei der Endschaltefeder zur Auslaufsicherung durchführen.

- Den einwandfreien Betrieb der Endschalte des Geräts und der anderen Sicherheitsvorrichtungen gemäß Kapitel 8 prüfen.

**Das Vorhandensein einer Endschaltefeder ungefähr einen Meter vor dem freien Ende des Hubseils und einer weiteren Endschaltefeder vor dem Seilhaken, beide solide und zweckmäßig befestigt, ist für die Sicherheit absolut erforderlich.**

### 5.5. Endschaltefedern und Rollen

Wenn die Installation eine oder mehrere Umlenkrollen enthält, dürfen nur Rollen mit einem geeigneten Durchmesser verwendet werden. In diesem Fall müssen die Endschaltefedern zur Hubbegrenzung (1) und zur Auslaufsicherung (2) so auf dem Seil platziert werden, dass weder die Endschaltefeder zur Hubbegrenzung noch die Last mit einer Rolle in Kontakt kommen können. Die Endschaltefeder zur Hubbegrenzung muss selbstverständlich zwischen dem Gerät und der dem Gerät entlang des Seilverlaufs am nächsten gelegenen Rolle platziert werden. (Siehe Abb. 13).



#### WICHTIG

Die Übereinstimmung der Tragfähigkeit der Anschlagpunkte und Rollen mit den darauf wirkenden Kräften prüfen.

### 5.6. Lastprüfung

Die angeschlagene Last ein wenig anheben und den einwandfreien Betrieb der „Auf“- und „Ab“-Tasten sowie der „Not-Aus“-Taste prüfen.

Wenn diese Funktionen normal sind, kann der Betrieb beginnen. Anderenfalls muss das Gerät an einen zugelassenen TRACTEL®-Reparateur zurückgeschickt werden. (Siehe ebenfalls Kap. 5.3).

## 6. Betrieb

Die Betätigung des Geräts erfolgt durch Drücken einer der Bedientasten „Auf“ oder „Ab“ der Steuerbirne (Abb. 2); die Steuerbirne muss immer in der Vertikalstellung gehalten werden, in der sie am Steuerkabel hängt. Niemals umdrehen (das heißt, mit dem Steuerkabel nach unten halten), da dies zu Bedienfehlern führen könnte.

Sobald die „Auf“- oder „Ab“-Taste losgelassen wird, stoppt die Bewegung. Beim Heben in großer Höhe mit einem Minifor™ wird empfohlen, alle fünfzig Meter eine Pause von etwa 15 Minuten einzulegen, um eine übermäßige Erhitzung zu vermeiden.

Alle Motoren sind durch einen Temperaturfühler in der Wicklung gegen übermäßige Erhitzung geschützt. Dieser Temperaturfühler verhindert den Betrieb durch Unterbrechung des Steuerkreises, bis die Wicklungstemperatur wieder einen zulässigen Wert erreicht.

**Anm.:** Eine Erhitzung des Gehäuses auf 80°C ist normal.

Eine rote Not-Aus-Taste erlaubt die Unterbrechung der Bewegung bei einer Funktionsstörung der „Auf“- oder „Ab“-Taste. (Siehe Kapitel 8: Sicherheitsvorrichtungen).

Beim Heben und Senken müssen die folgenden Vorkehrungen getroffen werden:

- Das Schwingen und Drehen der Last vermeiden.
- Alle Hindernisse von Hubseil und Last fernhalten.
- Sicherstellen, dass das Leertrum auf seiner gesamten Länge frei ist.
- Das Lasttrum nicht locker werden lassen, wenn die Last nicht stabil auf einer tragfähigen Unterlage steht.
- Die Betätigung der Steuerbirne durch aufeinander folgende Impulse (Trommeln) vermeiden.



### WICHTIG

Das Leertrum muss unbedingt vom Lasttrum und bei einer Umlenkrollenmontage erst recht von den beiden Lasttrumen ferngehalten werden, damit sich das Leertrum nicht mit den anderen Trumen verheddert.

**Aus denselben Gründen muss das Leertrum von allen Hindernisse ferngehalten werden, an denen es hängen bleiben kann, und es darf sich nicht selbst**

**verheddern. Dadurch könnte nämlich verhindert werden, dass die daran befestigte Endschaltefeder zur Auslaufsicherung die Abschaltvorrichtungen (Endschalter) des Geräts erreicht. Die Blockierung des Leertrums bei seiner Aufwärtsbewegung (Abwärtsbewegung der Last) kann zu einem Bruch des Seils und dem Absturz der Last führen.**

**Eine Verformung des Seils kann ebenfalls zur Blockierung im Gerät oder beim Kontakt des verformten Teils mit dem Gerät führen. Ungeachtet der Ursache der Seilblockierung während der Bewegung muss die Betätigung sofort eingestellt werden, ohne weitere Versuche zu unternehmen. Siehe Kapitel 13.**

**Die Endschaltefedern sind keine Betätigungsvorrichtungen sondern Sicherheitsvorrichtungen. Sie dürfen daher nicht absichtlich benutzt werden, sondern dienen ausschließlich als Abschaltvorrichtung bei einem unbeabsichtigten Überschreiten des vorgesehenen Hubwegs.**

**Der Aufenthalt und das Arbeiten unter der Last sind streng verboten. Gegebenenfalls unter der Last einen Sicherheitsbereich absperrten.**

## 7. Ausserbetriebnahme - Lagerung

Den Seilhaken erst von der Last lösen, wenn sie stabil auf einer festen und ausreichend soliden Unterlage steht.

Das Gerät kann am Einsatzort verbleiben, wenn dieser vor Witterungseinflüssen geschützt und trocken ist. Das Gerät von der Netzsteckdose trennen, wenn es nicht benutzt wird.

Das Gerät von unbefugten Personen fernhalten.

Zur Lagerung kann das Gerät in seiner Verpackung aufbewahrt werden. Das Seil muss vom Gerät entfernt (außer bei den Modellen mit Trommel) und auf der Haspel aufgewickelt werden.

Das Gerät darf niemals mit eingelegtem Seil auf seine Fußplatte gestellt werden, da das Seil geknickt und beschädigt würde.

## 8. Sicherheitsvorrichtungen

Die Geräte sind mit folgenden Sicherheitsvorrichtungen ausgestattet:

- Motorbremse bei Stromausfall.
- Not-Aus-Taste auf der Steuerbirne - Farbe rot (siehe Abb. 2).

- Mechanische Verriegelung zur Verhinderung der gleichzeitigen Betätigung der Auf- und Ab-Taste.
- Steuerung der Drehstromgeräte durch 48 V Kleinspannung.
- Endschalter zur Hubbegrenzung bzw. Auslauf-sicherung am Gerät mit den entsprechenden Endschaltefedern am Seil.
- Sicherheitsklinken (1) an den Haken (Abb. 16 und 17).
- Elektrischer Schutz der Steuerbirne: Klasse 2.
- Schutzsicherung der Steuerung im Schaltkasten.
- elektrischer Lastbegrenzer am minifor™ TR110.

Die Notausschaltung wird durch Drücken der roten Taste erreicht (Abb. 2). Für den Neustart nach einem Notaus muss die Not-Aus-Taste entriegelt werden, indem sie in Richtung der darauf markierten Pfeile gedreht wird, nachdem zuvor sichergestellt wurde, dass die Notsituation beseitigt ist.

## 9. Hubseil

An einem Ende besitzt das Minifor™-Seil einen Sicherheitshaken, der an einer mit einer Kausche ausgestatteten und in einer Metallhülse gefassten Seilschleufe befestigt ist (siehe Abb. 17). Das andere Seilende ist geschweißt und geschliffen. Es muss geschweißt, abgerundet und ohne Unebenheiten gehalten werden (siehe Abb. 18).

Zur Gewährleistung der Betriebssicherheit der Minifor™-Geräte ist es unerlässlich, diese ausschließlich mit Minifor™-Seilen mit einem Durchmesser von 6,5 mm zu benutzen, die speziell für diese Geräte konstruiert wurden.

**Die Benutzung eines beschädigten oder für das Gerät ungeeigneten Seils ist die Hauptursache für Unfälle und Störungen.** Entsprechend muss der einwandfreie Zustand des Seils ständig überwacht und jedes Seil mit Anzeichen von Beschädigung wie Verformung, Knick oder Drahtbruch sofort ausgemustert werden (Abb. 19). Jedes Seil, dessen Nenndurchmesser durch Verschleiß um 10 % verringert wurde oder das mehr als 10 gebrochene Drähte auf einer Länge von 200 mm enthält, muss ausgemustert werden. Norm ISO 4309. (Wie angegeben messen (Abb. 20).

Das Seil keiner Temperatur über 100°C oder Aggressionen durch mechanische oder chemische Agzien aussetzen.

Das Seil auf einer Haspel aufgewickelt und vor Feuchtigkeit geschützt lagern, nachdem es zuvor gründlich gereinigt und auf seiner gesamten Länge geschmiert wurde. Keine Fette oder Öle verwenden, die Molybdänsulfid oder Graphitzusätze enthalten.

## 10. Wartung

Die Wartung des Geräts besteht in der Überwachung des einwandfreien Zustands, Reinigung und regelmäßigen Prüfung (wenigstens einmal jährlich) durch einen von TRACTEL® zugelassenen Reparatur. Der Benutzer muss das Gerät nicht fetten oder schmieren. (Für die Wartung des Hubseils siehe Kapitel 9). Darauf achten, dass die Befestigungsschraube des Aufhängehakens des Geräts und die Sicherungsmutter der Griffbefestigung stets fest angezogen sind. Gegebenenfalls ersetzen.

**Jede festgestellte Beschädigung des Geräts und seiner Ausrüstung, insbesondere von Haken, Hubseil und Stromkabeln, muss vor jeder weiteren Benutzung durch eine Instandsetzung beseitigt werden.**



### WICHTIG

Das Öffnen des Geräts darf, abgesehen vom Sicherungswechsel im Schaltkasten, nur von einem zugelassenen TRACTEL®-Reparatur durchgeführt werden.

## 11. minifor™ mit Umlenkrolle (Abb. 25.c)

### 11.1. Beschreibung

Ein Minifor™-Umlenkrollen-Bausatz kann nur am Minifor™ TR10/TR30/TR30S/TR50/TR110 montiert werden. Diese Montage gestattet die Verdoppelung der Tragfähigkeit des Geräts (außer Modell TR 50). Andererseits wird die Hubgeschwindigkeit halbiert.

Zur Ausstattung des Minifor™ mit einer Umlenkrolle darf nur der Minifor™-Umlenkrollen-Bausatz verwendet werden. Kein zusätzliches System darf hinzugefügt werden.

Der Minifor™-Umlenkrollen-Bausatz enthält (Abb. 21):

- Eine Lasttrum-Anschlagvorrichtung.
- Eine Umlenkrolle standardmäßig mit Haken mit Hakensicherung (oder optional mit selbstverriegelndem Haken), ausgestattet mit einer Endschaltefeder zur Hubbegrenzung
- Eine Montageanleitung.

**Der Bausatz darf nur für die Ausstattung des Minifor™ mit einer Umlenkrolle verwendet werden.**

### 11.2. Montage

Der Benutzer muss daran denken, dass bei Verwendung einer Umlenkrolle die erforderliche Seillänge wenigstens



der doppelten Hubhöhe zuzüglich ca. 2 m (davon ein Meter überstehendes Leertrum) beträgt.

Die auf der Umlenkrolle gleitende Endschalterfeder ersetzt die mit dem Seil gelieferte Endschalterfeder zur Hubbegrenzung. Wenn die Hubhöhe jedoch weiter begrenzt werden soll, kann die normale Endschalterfeder zur Hubbegrenzung zwischen der Rolle und dem durch einen Pfeil gekennzeichneten Seileingang des Geräts hinzugefügt werden.



#### WICHTIG

Beim Einsatz der Umlenkrolle muss die bei den Sicherheitsberechnungen zu berücksichtigende Tragfähigkeit verdoppelt werden.

**HINWEIS:** Darauf achten, dass die Umlenkrolle so angebracht wird, dass die gleitende Endschalterfeder auf dem Seil zwischen der Rolle und dem Seileingang des Geräts platziert ist. Siehe Gebrauchsanleitung des Umlenkrollen-Bausatzes. Abbildung 25 zeigt die unterschiedlichen Konfigurationen des Minifor™.

**HINWEIS:** Aufgrund der Verhedderungsgefahr der Hubseiltrume sollte der Minifor™ mit Umlenkrolle ausschließlich für das direkte vertikale Heben (Abb. 5) verwendet werden.

### 11.3. Betrieb

Beim Betrieb mit einem Umlenkensystem muss der Bediener besonders darauf achten, dass die Last sich nicht dreht, um das Verheddern der drei Seiltrume (zwei Lasttrume + Leertrum) zu vermeiden. Die Bewegung sofort stoppen, wenn das Leertrum sich mit den anderen Trumen verheddert, und das Trum freimachen, bevor die Bewegung fortgesetzt wird.

Für weitere Details zum Betrieb des Minifor™ mit Umlenkrolle, siehe die Gebrauchsanleitung des Minifor™-Umlenkrollen-Bausatzes.

## 12. minifor-sonderausführungen

### 12.1. Minifor™ TR10/TR30 mit integrierter Trommel

Die Modelle TR10/TR30 können wahlweise mit einer Seiltrommel mit Rückholfeder ausgestattet werden, inklusive Seil in zwei möglichen Längen: 20, 27 oder 40m. (Abb. 25.d).

Die Ausrüstung erlaubt den Wegfall des „Leertrums“ variabler Länge.

Die Baugruppe wird mit den beiden Endschalterfedern für Hubbegrenzung und Auslaufsicherung auf dem

Seil geliefert. Der Seilhaken ist mit einem Seilgewicht ausgestattet. Das Seilgewicht ist notwendig und darf nicht entfernt werden.

Die Trommel muss im Werk montiert werden. Der Benutzer kann ein zuvor erworbenes Gerät für den nachträglichen Einbau der Trommel an Tractel® senden.

Das Gerät muss so platziert und benutzt werden, dass die Trommel sich ungehindert drehen kann, ohne an äußeren Hindernissen zu reiben.



#### WICHTIG

Der Minifor™ mit Trommel darf nicht auf einer Plattform stehend benutzt werden (Reibungsgefahr).

### 12.2. Minifor™ mit HF-Fernbedienung (Abb. 25.b)

Alle Minifor™-Modelle können wahlweise mit einer aus einem tragbaren Fernsteuersender (Abb. 22.a) und einem Empfänger auf dem Gerät (Abb. 22.b) bestehenden Fernbedienung ausgestattet werden. Der Sender ist batteriebetrieben. Die Vorrichtung erlaubt die Fernsteuerung der Auf- und Abwärtsbewegung und den Stopp des Geräts ohne Steuerkabel. Sie beruht auf der Übertragung einer kodierten Hochfrequenzwelle.

Die Kodierung jedes Geräts kann vom Benutzer geändert werden, insbesondere beim Einsatz mehrerer ferngesteuerter Geräte an einem Standort.

Die Tasten von Sender und Empfänger müssen in derselben Kodierstellung sein. Siehe dem Gerät beiliegende Dokumente des Fernbedienungs Herstellers.

**Beim Betrieb des ferngesteuerten Minifor™ sollte der Bediener unbedingt immer mit der Last in Sichtkontakt bleiben. Anderenfalls müssen die erforderlichen Maßnahmen ergriffen werden, um alle möglichen Gefahren auszuschließen.**

**Anm.:** Die Fernbedienung muss vorsichtig behandelt und aufbewahrt werden, da sie stoßempfindlich ist.

**HINWEIS:** Ohne Änderung der Kodierung bewirkt die Betätigung der Fernbedienung dieselbe und fast gleichzeitige Inbetriebnahme aller ferngesteuerten Geräte, die sich in Reichweite des Senders befinden.

**HINWEIS:** Wenn der Sender zur Vorderseite des Empfängers ausgerichtet ist, beträgt die Funkreichweite auf offenem Feld bis zu 500 m.

Diese Reichweite kann in einer anderen Situation insbesondere durch folgende Elemente beeinträchtigt werden:



- Vorhandensein von Hindernissen,
- Vorhandensein elektromagnetischer Störungen,
- Bestimmte Witterungsverhältnisse.

Wenden Sie sich bei Problemen oder Sonderanwendungen an das Tractel®-Netz.

**HINWEIS:** Beim Betrieb der Fernbedienung muss die Ansprechzeit des Systems berücksichtigt werden. Die Steuerung mehrerer Geräte mit derselben Fernbedienung erlaubt daher keine genaue Synchronisierung.

Die Fernbedienung ist in Frankreich von der Telekommunikations-Aufsichtsbehörde (ART) ohne Notwendigkeit einer Einzellizenz zugelassen. An der Fernbedienung dürfen keine Änderungen vorgenommen werden.

Die Benutzung des ferngesteuerten Minifor™ außerhalb Frankreichs setzt die Prüfung der Übereinstimmung mit den vor Ort geltenden Bestimmungen über Funkwellen voraus.

Die ferngesteuerten Minifor™ sind nicht mit einer Steuerbirne am Steuerkabel ausgestattet. (Option auf Wunsch).

### 13. Anwendungsverbote

Die den Angaben dieser Anleitung gemäße Benutzung der Minifor™-Geräte bietet eine grundsätzliche Sicherheitsgarantie. Dennoch sei der Bediener ausdrücklich vor den folgenden Fehlbedienungen gewarnt:

#### FOLGENDES IST VERBOTEN:

- Benutzung eines Minifor™-Geräts, selbst gelegentlich, für den Personentransport.
- Benutzung eines Minifor™-Geräts zu anderen Zwecken als jenen, für die es vorgesehen ist, oder nach anderen als den in dieser Anleitung beschriebenen Montageplänen.
- Benutzung eines Geräts über seine Tragfähigkeit hinaus.
- Anbringung des Geräts unter für den Bediener gefährlichen Bedingungen.
- Anschlagen der Last am Gerätelaken und des Seilhakens am Festpunkt.
- Anschlagen des Geräts am Handgriff.
- Inbetriebnahme des Geräts ohne Prüfung der ordnungsgemäßen Anbringung der zwei Endschaltefedern.
- Anschließen des Geräts an eine Netzsteckdose, ohne die Eignung des vorhandenen Stroms für das Gerät und das Vorhandensein der vorschriftsmäßigen elektrischen Schutzvorrichtungen in der Installation zu prüfen.

- Befestigung des Geräts in einer Struktur (außer dem in Kapitel 4.2 beschriebenen Fall) oder Behinderung der Fluchtung mit dem Seil.
- Ausstattung des Geräts mit anderen Umlenkrollen als dem Minifor™-Umlenkrollen-Bausatz.
- Verrücken einer Last am Boden durch ein Gerät, das nicht mit der Bewegungsrichtung der Last fluchtet.
- Forcieren bei der Blockierung des Seils im oder gegen das Gerät.
- Betrieb eines Drehstrom-Geräts mit im Vergleich zu der angezeigten Richtung umgekehrten Bedienelementen.
- Ausüben einer Last auf das Leertrum des Hubseils.
- Stehende Benutzung eines Geräts mit Umlenkrolle.
- Benutzung des Hubseils als Lastaufnahmemittel.
- Hin- und Herschwingen der Last unter dem Gerät.
- Aufenthalt oder Bewegung unter der Last.

### 14. Kennzeichnungen

Kennzeichnungsbeispiel siehe Abb. 26.

- 1: CE-Kennzeichnung
- 2: Gerätetyp
- 3: Min. Bruchlast des Seils
- 4: Tragfähigkeit
- 5: Garantierter Schalleistungspegel
- 6: Motorspannung
- 7: Hub- und Senkgeschwindigkeit
- 8: Siehe Gebrauchs- und Wartungsanleitung
- 9: Herstellungsjahr
- 10: Motorleistung
- 11: Serien-Nr.
- 12: Motorfrequenz
- 13: Seildurchmesser
- 14: Name und Adresse des Herstellers
- 15: Anzahl der Phasen
- 16: Klassifizierung FEM

## 15. Funktionsstörungen

Störung	Mögliche Ursache	Maßnahme
1 - Blockierung des Seils	<ul style="list-style-type: none"> <li>• Verformung des Seils im Inneren. des Geräts oder bei Kontakt mit diesem.</li> <li>• Hängenbleiben des Leertrums an einem anderen Trum oder an einem Hindernis.</li> <li>• Hängenbleiben der Last beim Heben.</li> </ul>	<ul style="list-style-type: none"> <li>• Die Betätigung sofort einstellen, ohne weitere Versuche zu unternehmen.</li> <li>• Die Last mit einem anderen Hebezeug, das die vorschriftsmäßigen Sicherheitsgarantien bietet, übernehmen und das lastfreie Gerät entfernen. Versuchen, das Seil aus dem Gerät zu entfernen. Sollte dies nicht möglich sein, das Gerät mit dem Seil an einen zugelassenen TRACTEL®-Reparateur schicken.</li> <li>• Wenn eine Störung am Seil auftritt, das Seil ausmustern.</li> <li>• Vor der Wiederaufnahme der Bewegung unbedingt das Leertrum befreien und das Seil prüfen.</li> <li>• Vor der Wiederaufnahme der Bewegung die Last befreien und das Seil prüfen.</li> </ul>
2 - Keine Drehung des Motors	<ul style="list-style-type: none"> <li>• Notaus betätigt.</li> <li>• Endschalter im Gerät betätigt.</li> <li>• Sicherung durchgebrannt.</li> <li>• Endschalter blockiert oder beschädigt.</li> <li>• Stromversorgung unterbrochen, Steckdose oder Anschlussstecker schadhaft.</li> <li>• Schalter oder Steuerbirne schadhaft.</li> <li>• Der Motor ist nach intensivem Einsatz zu heiß und der Temperaturfühler hat abgeschaltet (230 V Einphasenmotor).</li> <li>• Phasen umgekehrt (Drehstrommotor).</li> </ul>	<ul style="list-style-type: none"> <li>• Die Not-Aus-Taste entriegeln (Drehung).</li> <li>• Wenn der Stopp durch den Kontakt der Endschalterfeder mit dem Endschalter bewirkt wird, in entgegengesetzter Richtung betätigen.</li> <li>• Die Sicherung wechseln (2A-Sicherung - Schutz des Bedienungselements).</li> <li>• Das Gerät an einen zugelassenen TRACTEL®-Reparateur schicken.</li> <li>• Von einem Elektriker reparieren lassen.</li> <li>• Das Gerät an einen zugelassenen TRACTEL®-Reparateur schicken.</li> <li>• Abkühlen lassen.</li> <li>• Siehe Kapitel 5.3.</li> </ul>
3 - Drehung des Motors in eine einzige Richtung	<ul style="list-style-type: none"> <li>• Endschalterfeder schadhaft.</li> <li>• Schalter oder Steuerbirne schadhaft.</li> <li>• Schalterspule durchgebrannt.</li> </ul>	<ul style="list-style-type: none"> <li>• Das Gerät an einen zugelassenen TRACTEL®-Reparateur schicken.</li> </ul>

Störung	Mögliche Ursache	Maßnahme
4 - Schwache Drehung des Motors mit „Brummgeräusch“	<ul style="list-style-type: none"> <li>• Stromversorgungsnetz schadhaft.</li> <li>• Starker Spannungsabfall.</li> <li>• Elektromagnetische Bremse geschlossen.</li> <li>• Mangelndes Anlaufdrehmoment (Motorbetriebskondensator schadhaft oder Bruch einer Motorspulenwicklung).</li> <li>• Getriebe oder Bremse schadhaft.</li> <li>• Überlast.</li> </ul>	<ul style="list-style-type: none"> <li>• Die Versorgungsspannung prüfen</li> <li>• Das Gerät an einen zugelassenen TRACTEL®-Reparateur schicken, wenn weder Versorgungsspannung noch Überlast die Ursache sind.</li> <li>• Die Last verringern oder eine Umlenkrolle verwenden.</li> </ul>
5 - Einführen des Seils unmöglich	<ul style="list-style-type: none"> <li>• Übermäßiger Seildurchmesser.</li> <li>• Seilspitze schadhaft.</li> <li>• Verformung des Seils.</li> <li>• Bei einem Drehstrommodell, Bedienelemente umgekehrt.</li> <li>• Teile der Innenführung beschädigt.</li> </ul>	<ul style="list-style-type: none"> <li>• Den Durchmesser prüfen. Durch ein Seil mit dem richtigen Durchmesser ersetzen.</li> <li>• Gegebenenfalls die Spitze des Seils mit dem Schweißbrenner nachschweißen. Schleifen und abrunden.</li> <li>• Den verformten Teil beseitigen. Abschneiden und das abgeschnittene Ende nachschweißen und schleifen.</li> <li>• Die „Ab“-Taste betätigen. Wenn sich das Seil normal einführen lässt, die „Auf“-Taste betätigen, um es zu entfernen, und die Phasen auf dem entsprechend ausgerüsteten Stecker umkehren.</li> <li>• Wenn keine der oben genannten Ursachen zutreffen, den Minifor™ an einen zugelassenen TRACTEL®-Reparateur schicken.</li> </ul>
6 - Rutschen oder Gleiten des Seils beim Heben	<ul style="list-style-type: none"> <li>• Zu geringer Seildurchmesser.</li> <li>• Verschleiß des Seils über 10% des Nenndurchmessers.</li> <li>• Starker Verschleiß des Klemmsystems.</li> </ul>	<ul style="list-style-type: none"> <li>• Den Durchmesser des Seils gemäß der Anleitung prüfen. Wenn sich herausstellt, dass das Seil ungeeignet oder verschlissen ist, das Seil ausmustern und ein neues verwenden.</li> <li>• Wenn das Seil normal ist, den Minifor™ an einen zugelassenen TRACTEL®-Reparateur schicken.</li> </ul>
7 - Keine Bremsung beim Senken der Last: das Seil rutscht trotz des gestoppten Motors	<ul style="list-style-type: none"> <li>• Bremse verstellt.</li> <li>• Bremsbelag verschlissen.</li> <li>• Bremsbelag mit Öl oder Fett verschmutzt.</li> <li>• Überlast.</li> </ul>	<ul style="list-style-type: none"> <li>• Den Luftspalt einstellen.</li> <li>• Das Gerät an einen zugelassenen TRACTEL®-Reparateur schicken.</li> </ul>
8 - Stopp des Motors während des Betriebs	<ul style="list-style-type: none"> <li>• Der Motor ist nach intensivem Einsatz zu heiß und der Temperaturfühler hat abgeschaltet.</li> </ul>	<ul style="list-style-type: none"> <li>• Abkühlen lassen.</li> </ul>

Inhoudsopgave	Bladzijde
ALGEMENE WAARSCHUWING .....	44
1. Presentatie .....	45
2. Functionele specificaties .....	46
3. Accessoires en reserveonderdelen ..	47
4. Bevestiging - montageschema's .....	47
5. Inbedrijfstelling .....	48
6. Bediening .....	50
7. Buiten bedrijf stellen – opslag .....	50
8. Veiligheidsinrichtingen .....	50
9. Hijskabel .....	51
10. Onderhoud .....	51
11. minifor™ met katrolschijf (fig. 25.C) .....	51
12. Speciale minifor .....	52
13. Verboden gebruik .....	53
14. Markering .....	53
15. Bedrijfsstoringen .....	54

Altijd strevend naar verbetering van de kwaliteit van haar producten, behoudt de TRACTEL® Groep zich het recht voor om de specificaties van de, in deze handleiding beschreven, apparatuur te wijzigen.

De onderne-mingen van de TRACTEL® Groep en haar agenten of distributeurs zijn bereid op verzoek beschrijvende documentatie te verstrekken betreffende het volledige programma van de TRACTEL® producten : hijs- en trekappa-ratuur, permanente gevelonderhoud-installaties en verplaatsbare hangbruggen, elektronische trekkrachtmeters, accessoires zoals omloopblokken, haken, stropen, grondankers, enz....

Het TRACTEL® netwerk kan U een after-sales en een periodieke onderhoudsservice bieden. Als U vragen heeft of technische informatie wenst, aarzel dan niet en neem contact op met TRACTEL® Nederland B.V.

## ALGEMENE WAARSCHUWING

1. Alvorens dit toestel te installeren en te gebruiken, is het voor de gebruiksveiligheid en de doeltreffendheid ervan noodzakelijk kennis te nemen van deze handleiding en zich te houden aan de voorschriften. Een exemplaar van deze handleiding moet ter beschikking van elke operator bewaard worden. Bijkomende exemplaren kunnen op aanvraag geleverd worden.
2. Gebruik dit toestel niet als één van de platen, bevestigd op het toestel, of als één van de opschriften op deze platen niet langer aanwezig zijn of leesbaar zijn zoals aangegeven in deel 14 Markering van deze handleiding. Identieke platen kunnen na aanvraag bij Tractel® geleverd worden en moeten bevestigd worden voordat men het toestel gebruikt.
3. Bijgevolg, zorg ervoor dat alle personen aan wie u het gebruik ervan toevertrouwt, de hantering ervan kent en in staat is de veiligheidsvoorschriften die deze hantering met zich meebrengen, kan aanvaarden. Deze handleiding moet ter beschikking van de gebruiker gesteld worden.
4. Het gebruik van dit toestel moet conform de van toepassing zijnde reglementering en veiligheidsnormen omtrent de installatie, het gebruik, het onderhoud en de controle van hijswerktuigen zijn.
5. Voor professioneel gebruik moet dit toestel onder de verantwoordelijkheid van een persoon worden geplaatst die de toepasbare reglementering kent en die gezag heeft om de toepassing ervan te waarborgen als deze persoon niet de operator is.
6. Personen die dit toestel voor het eerst gebruiken moeten, zonder risico, alvorens een last aan te brengen en op een lage hijshoogte, controleren of ze alle veiligheidsvoorwaarden en de doeltreffendheid van de hantering ervan begrepen hebben.
7. Het plaatsen en de inbedrijfstelling van dit toestel moeten uitgevoerd worden onder omstandigheden die de veiligheid van de installateur garandeert, conform de in deze categorie van toepassing zijnde reglementering.
8. Controleer, voor elk gebruik van dit toestel, of het in ogenschijnlijk goede staat verkeert, net als de accessoires die bij dit toestel gebruikt worden.
9. Tractel® ontkent alle verantwoordelijkheid voor de werking van dit toestel in een montageconfiguratie die niet in deze handleiding beschreven wordt.
10. Het toestel moet vastgehaakt worden aan een bevestigingspunt en aan een voldoende weerstand biedende structuur om de maximum toegestane last, aangegeven in deze handleiding, te kunnen ondersteunen. Bij gebruik van meerdere toestellen, moet de weerstand van de structuur functie zijn

van het aantal toestellen, volgens hun maximale gebruikslast.

11. Elke wijziging, uitgevoerd buiten de controle van Tractel, of het verwijderen van een samenstellend onderdeel stelt Tractel® vrij van alle verantwoordelijkheid.
12. Tractel® garandeert de werking van het toestel uitsluitend als het uitgerust is met een oorspronkelijke Tractel-kabel, volgens de specificaties van deze handleiding.
13. De demontage van dit toestel die niet in deze handleiding beschreven is, of elke herstelling, uitgevoerd buiten de controle van Tractel, stellen Tractel® vrij van elke verantwoordelijkheid, in het bijzonder in het geval van vervanging van onderdelen door onderdelen die van andere herkomst zijn.
14. Elke ingreep op de kabel om deze te wijzigen of te herstellen, uitgevoerd buiten de controle van Tractel, sluit de verantwoordelijkheid van Tractel® voor de gevolgen van deze handeling uit.
15. Dit toestel mag nooit voor andere doeleinden gebruikt worden dan deze beschreven in deze handleiding. Het toestel mag niet gebruikt worden voor een last die groter is dan de maximale gebruikslast, aangegeven op het toestel. Het mag nooit in een explosieve omgeving gebruikt worden.
16. Het is verboden dit toestel te gebruiken voor het hijsen of het verplaatsen van personen.
17. Als een last door meerdere toestellen getild moet worden, dan moet het gebruik ervan voorafgegaan worden door een technische studie door een bevoegd technicus en vervolgens conform deze studie uitgevoerd worden om de constante verdeling van de last onder gepaste omstandigheden te garanderen. Tractel® ontkent alle verantwoordelijk als het Tractel-toestel gebruikt wordt in combinatie met andere hijswerktuigen van andere herkomst.
18. Bij het uitvoeren van hefbewegingen, bij het stijgen en het dalen, moet de last constant in het zicht van de gebruiker blijven.
19. Blijf nooit onder de last staan en begeef u er nooit onder. Signaleer en verbied toegang tot de zone onder de last.
20. De permanente controle van de schijnbaar goede staat en het juiste onderhoud van het toestel maken deel uit van de te nemen maatregelen voor een veilig gebruik. Het toestel moet periodiek door een door Tractel® erkend reparateur gecontroleerd worden, zoals aangegeven in deze handleiding.
21. De goede staat van de kabel is een essentiële veiligheidsvoorwaarde en een voorwaarde voor de goede werking van het toestel. De controle van de goede staat van de kabel moet bij elk gebruik uitgevoerd worden, zoals aangegeven in het hoofdstuk "Kabel". Elke kabel met symptomen van

verslechtering moet onmiddellijk definitief uit dienst genomen worden.

22. Als het toestel niet gebruikt wordt, moet het buiten het bereik van onbevoegde personen geplaatst worden.
23. De gebruiker moet er tijdens het gebruik voor zorgen dat de kabel constant door de last gespannen staat, en vooral dat deze niet tijdelijk door een dalend obstakel geneutraliseerd kan worden, hetgeen een risico op het breken van de kabel kan veroorzaken als de last zich van het obstakel bevrijdt.
24. Als het toestel definitief niet meer gebruikt wordt, dan moet het zodanig afgediend worden dat het gebruik ervan verboden is. Respecteer de reglementering omtrent de milieubescherming.



## BELANGRIJK

Voor elk professioneel gebruik, in het bijzonder als u het toestel aan een werknemer of aan een gelijkwaardig persoon dient toe te vertrouwen, hou u aan de bij de montage, bij het onderhoud en bij het gebruik van dit materiaal van toepassing zijnde arbeidsreglementeringen, met name de vereiste controles: controle bij de eerste inbedrijfstelling door de gebruiker, periodieke controles en controles na demontage of herstelling.

## 1. Presentatie

### 1.1. Bedrijfsprincipe

De minifor™ is een elektrische, draagbare lier-takel voor het hijsen en de tractie, met doorgaande kabel. Dit toestel werkt met een zelfspannend aandrijfsysteem waardoor een onbeperkte beweging van de hijskabel mogelijk is.

Het aandrijfsysteem bestaat uit een katrol waarvan de groef een speciaal profiel heeft en waarin de kabel gespannen is onder de invloed van de last door twee gearticleerde rollen.

Een voorspanningveer, die inwerkt op de rollen, zorgt, buiten last, voor de aanhechting van de kabel op de katrol. Naast de actie van de voorspanningveer, is het vastklemmen van de kabel op de aandrijfkatrol proportioneel in verhouding tot de last.

Dit technisch concept garandeert een grote veiligheid op voorwaarde de in deze handleiding beschreven voorschriften in het hoofdstuk "Beverigting – Montageschema's" grondig te respecteren.

Het minifor™ toestel moet uitsluitend gebruikt worden met de speciale minifor™ hijskabel met de aangegeven diameter (zie specificaties) om de veiligheid en de doeltreffendheid van het gebruik ervan volledig te waarborgen.

TRACTEL® wijst alle verantwoordelijkheid af voor gevolgen van een gebruik van het toestel met een andere kabel dan de oorspronkelijke minifor™ kabel.

Vóór verzending maakt elk minifor™ toestel onderwerp uit van een test aan 110 % van de maximale gebruikslast.

## 1.2. Samenstelling van een standaardlevering minifor™

Elke minifor™ is, naargelang het model, geleverd in een karton of metalen koffer met de volgende inhoud:

1. Het toestel en de knoppenkast, uitgerust met het draaghandvat, de veiligheidshaak en een verlengsnoer voor de voeding met hol / bol contact.
2. Een plastic zakje met:
  - een lage veeraangedreven eindaanslag,
  - een inbusleutel van 3 voor de bevestiging van de eindaanslagen op de kabel.
3. Een plastic zakje met:
  - deze gebruiksaanwijzing,
  - de EG conformiteitsverklaring,
  - Indien van toepassing, de documenten van de radiogestuurde afstandsbediening.
4. Naargelang optie bij bestelling, de hijskabel met lengte gemonteerd op de bobine, uitgerust met een veiligheidshaak, een hoge veeraangedreven eindaanslag.

## 1.3. Beschrijving en markering

Figuur1 toont een standaard minifor™ in zijn meest voorkomende gebruikspositie en in werking, opgehangen met een klemhaak op een balk. Het standaardtoestel is geleverd met een elektrische bedieningskabel van 2.50 m met hangende knoppenkast (Fig. 2) en een elektrische voedingskabel van 0.50 m. Op aanvraag kan hij geleverd worden met verschillende lengten bediening- en voedingskabels. Elk toestel heeft een serienummer dat zich bevindt op de bovenkant van de carter van het toestel. Dit nummer moet in zijn geheel vermeld worden (met inbegrip van de letter) voor de bestelling van reserveonderdelen of bij herstellingen.


Zorg er constant voor dat alle etiketten juist geplaatst zijn en goed leesbaar zijn.

De lengte van de hijskabel is aangegeven op de mof van het uiteinde, dat door de haak gaat. Indien nodig moet deze lengte gecontroleerd worden want de lengte van de kabel kan na de levering verminderen. Alle minifor™ toestellen zijn geleverd met een knoppenkast (Fig. 2), dubbele isolatie IP 65 met 3 bedieningen: stijgen, dalen en noodstop.

**NOTA:** De indicatie "Stijgen" of "Dalen" bevindt zich op de overeenstemmende bedieningsknop, in de vorm van een pijl georiënteerd in de richting van de beweging als men de kast in hangende positie houdt (Fig. 2).

## 2. Functionele specificaties

Op aanvraag: andere spanningen en frequenties.

	TR10	TR30	TR30S		TR50		TR55		TR110
Aantal fasen	1~	1~	1~	3~	1~	3~	1~	3~	1~
WLL-norm/opgebonden(kg)	100 / 200	300 / 600	300 / 600		500 / 950		550 / -		550 / 1100
Snelheidsnorm/opgebonden (m/min)	15 / 7,5	5 / 2,5	13 / 6,5		7 / 3,5		7 / -		7 / 3,5
FEM 9.511/ISO-klasse	-	-	1Bm / M3	1Bm / M3	1Bm / M3	1Bm / M3	1Bm / M3	1Bm / M3	1Bm / M3
Vermogen (kW)	0,25		1,1		1,1		1,1		1,1
Opstartstroom (A)	25,5 / 17,3		54 / 16	19 / 11	54 / 16	19 / 11	54 / 16	19 / 11	16
Nominale stroom (A)	7,5 / 3,9		16 / 8	5,9 / 3,4	16 / 8	5,9 / 3,4	16 / 8	5,9 / 3,4	8
Voedingsspanning (V)	115 / 230		115 / 230	230 / 400	115 / 230	230 / 400	230	400	230
Regelspanning (V)	115 / 230		115 / 230	230 / 400	115 / 230	230 / 400	230	400	230
Frequentie (Hz)	50		50		50		50		50
Diameter van de staalkabel (mm)	6,5		6,5		6,5		6,5		6,5
Gewicht van de staalkabel per meter (kg)	0,17		0,17		0,17		0,17		0,17
Gewicht van de standaardtakel (zonder staalkabel) (kg)	21		33	33	33	33	33	33	43
Haspelgewicht met staalkabel van 20 m (kg)	+23		-	-	-	-	-	-	-
Haspelgewicht met staalkabel van 27m (kg)	+28		-	-	-	-	-	-	-
Haspelgewicht met staalkabel van 40m (kg)	+30		-	-	-	-	-	-	-
Gewicht van een katrolschijfkit (kg)	+5		+8		+8		-		+8
 L <sub>WA</sub> dB(A)	86	85	88		90		90		90

### 3. Accessoires en reserveonderdelen

De volgende onderdelen en accessoires kunnen door de gebruiker bevoorraden en gemonteerd worden:

- Hoge en lage eindaanslag (onderling verwisselbaar).
- Hijskabel uitgerust met een haak met oog.
- Zekering.
- Voedingscontact (elektricien).

### 4. Bevestiging - montageschema's

Controleer of het vast bevestigingspunt een voldoende weerstand biedt voor de toe te passen last.

Als de bevestiging van het toestel moet gebeuren op een plaats die gevaarlijk kan zijn voor de operator, moeten alle veiligheidsmaatregelen beschreven in de Arbeidsreglementering genomen worden om op deze manier risico's die men in deze bewerking niet beheerst, uit te sluiten. In dit geval is het verkieslijk de hijskabel in het toestel te plaatsen vóór de bevestiging (zie hoofdstuk 5).

Het toestel kan in ophanging of steunend op het onderstuk worden gebruikt.

#### 4.1. Hangende bevestiging van het toestel

Dit is de eenvoudigste en meest gebruikte manier van montage. De bevestiging van het toestel mag uitsluitend gebeuren met de haak (behalve 4.2 hieronder) en nooit met het handvat. Het is onmogelijk de haak van de kabel op het vast punt te bevestigen om het toestel al verplaatsend op de kabel te doen werken (Fig. 3 verplichte montage, Fig. 4 verboden montage).

De haak van het toestel moet in het orgaan van het bevestigingspunt worden geplaatst zodat dit orgaan tot op de bodem van de haak vastzit. De veiligheidsklep van de haak moet volledig gesloten zijn. Als men hinder ondervindt bij de articulatie van de haak van het toestel met het bevestigingsorgaan, is het verplicht een strop ertussen te plaatsen met het aangepaste vermogen.

#### 4.2. Bevestiging van het toestel steunend op het onderstuk

Dit soort installatie vereist bijzondere voorzorgen:

1. Het steunoppervlak waarop het toestel geplaatst wordt moet vlak en horizontaal zijn.
2. Deze oppervlakte moet voor de doorgang van de twee kabelstrengen een opening bezitten waarvan de configuratie en de afmetingen aangegeven zijn in figuur 24, een aanzicht van het steunoppervlak van het toestel en de plaatsing op de opening.

3. Het toestel moet geplaatst worden zodat de hijskabel onder last niet wrijft tegen de wanden van de opening, en zodat de eindaanslagen, bevestigd op de kabel, in contact kunnen komen met de hendels eindaanslagen van het toestel.
4. Het toestel moet gestabiliseerd worden zodat het geen enkele verplaatsing kan ondergaan.
5. Het platform waarop het toestel steunend wordt geplaatst moet de stabiliteit en de weerstand hebben die vereist zijn voor de veiligheid van de bewerking.
6. De last moet vrij kunnen hangen (Fig. 5) of gekoppeld aan het toestel via een omkeerschijf, die zich verplicht en strikt loodrecht op het toestel moet bevinden (Fig. 6).



#### BELANGRIJK

Hijs bij deze montage nooit de last zonder deze last eerst loodrecht op het toestel te zetten, behalve bij gebruik van een omkeerschijf.

#### 4.3. Bevestigen van de last

De bevestiging van de last moet verplicht met de haak van de hijskabel gebeuren en nooit op de haak van het toestel.

De bevestiging van de last moet met een strop met aangepast vermogen, afmetingen en van het juiste type zijn voor de behandeling van het te manipuleren voorwerp. Het is verboden de kabel van het toestel als strop te gebruiken door hem rond een voorwerp te plaatsen om dit voorwerp op de haak te bevestigen (Fig. 7 juiste bevestiging en Fig. 8 verboden bevestiging).

#### 4.4. Montageschema's

##### 4.4.1. Hangend toestel, last rechtstreeks opeghangen

Dit is het eenvoudigste geval (Fig. 7). De voornaamste te nemen voorzorg is het vermijden van obstakels die de last of de hijskabel eventueel lateraal zouden kunnen raken of waartegen de last kan stoten.

##### 4.4.2. Hangend toestel, direct schuin hijsen

Dit geval vereist de aanwezigheid van een hellend stabiel vlak waarop de last gehesen en gehouden wordt (Fig. 9).

##### 4.4.3. Hangend toestel, indirecte tractie of hijsen

Dit geval vereist een omkeerschijf bevestigd op een vast punt (Fig. 11). Zie ook hoofdst. 5.5.

#### 4.4.4. Horizontaal bevestigd toestel voor directe tractie

Het is verplicht voor de veiligheid van de handeling dat, op geen enkel moment, het toestel of de kabel lateraal kan gaan op één of ander voorwerp als ze onder spanning staan (Fig. 10).

Zorg voor de perfecte uitlijning van het toestel op de kabel door een vrij articulerende bevestiging van het toestel, bijvoorbeeld door een strop.

Bevestig het toestel nooit strak op een bevestigingsstructuur. Zorg voor de bewegings-vrijheid van de verschillende kabelstrengen door alle wrijvingen te vermijden.

**N.B.:** Als een omkeerschijf geplaatst is om de last op een hellend vlak te hijsen, en aangezien de last aandrijvend is, bevindt men zich in een geval van hijsen (geval 4.4.3).

#### 4.4.5. Toestel bevestigd op de grond

Hijsen door omkeerschijf. Dezelfde aanbevelingen als voor geval 4.4.4. De weerstand van de omkeerschijf en deze van haar verankering moet berekend worden voor een dubbele belasting van de kracht (Fig. 12). Zie ook hoofdst. 5.5.

#### 4.4.6. Toestel steunend, last vrij opgehangen

Volg nauwkeurig de instructies van hoofdstuk 4.2 en hoofdstuk 5.5. Zorg er bijzonder goed voor dat de last niet gaat schommelen. Zich houden aan Fig. 5.

#### 4.4.7. Toestel steunend, last niet vrij opgehangen

Dit geval vereist het gebruik van een omkeerschijf, loodrecht op het toestel bevestigd (Fig. 6). Zie hoofdstuk 4.2 en hoofdstuk 5.5.

#### 4.4.8. Katrolschijf

Alle bovenstaand beschreven aanbevelingen zijn bijzonder van toepassing bij het gebruik van een katrolschijf. In dit geval moet het onder spanning zetten gebeuren met bijzondere oplettendheid (zie hoofdstuk 11).

**BELANGRIJK:** de minifor™ TR55 kan niet worden afgeschoven omdat het niet is uitgerust met een lastbegrenzer zoals vereist door de Europese richtlijn 2006/42/CE voor het heffen van lasten van meer dan 1000 kg.

**N.B.:** Bij het gebruik van omkeerschijven, moet de gebruiker er zorg voor dragen de eindaanslagen te plaatsen zoals beschreven in hoofdstuk 5.4 (fig. 13).

## 5. Inbedrijfstelling

### 5.1. Voorafgaande controles

- Last of inspanning, niet hoger dan de maximale gebruikslast van het toestel.
- De omkeerschijven verhogen de te leveren inspanning in niet te verwaarlozen proporties om een last te hijsen.
- Weerstand van het vast punt voldoende om in alle veiligheid een spanning gelijk aan de maximale gebruikslast toe te passen (of het dubbele van deze last in geval 4.4.5).
- Correcte bevestiging.
- Hijskabel in goede staat.
- Lengte van de hijskabel voldoende voor het traject van de last. Tel een extra lengte van minstens 1,50 m voor de doorgang in het toestel en een voldoende lengte speelruimte.
- Lengte van de elektrische bedieningskabel voldoende om het toestel te koppelen op de door de gebruiker voorziene plaats in voldoende veilige omstandigheden.

### 5.2. Elektrische aanbevelingen

1. Raadpleeg, vóór elke inbedrijfstelling op een nieuwe koppeling, de kenplaat van de motor.  
Neem inlichtingen over de eigenschappen van de geleverde stroom: eenfase of driefase, spanning, beschikbare stroomsterkte. Controleer of de geleverde stroom compatibel is met de op de kenplaat van de motor aangegeven eigenschappen. De beschikbare spanning moet gelijk of hoger zijn dan deze aangegeven op de kenplaat van de motor.
2. Bij gebruik van een verlengsnoer voor de voeding, kies een verlengsnoer met de volgende eigenschappen:
  - eenfase 230 V.: 3 draden (1 fase, 1 neutraal, 1 aarde) met een doorsnede van 2.5 mm<sup>2</sup>;
  - driefase 400 V.: 4 draden (3 fasen, 1 aarde) met een doorsnede van 2.5 mm<sup>2</sup>.Deze eigenschappen zijn geldig tot 50 m lengte van de elektrische kabel. Raadpleeg het TRACTEL® netwerk voor grotere lengtes.
3. De verbinding van het elektrisch verlengsnoer moet met een accessoire versterkt worden ("kousje") om het gewicht van het verlengsnoer op de koppelingen te vermijden.
4. Het vervangen van het contact, geleverd op de elektrische voedingskabel vereist de tussenkomst van een bevoegd technicus. Elke ingreep op de kabel van de knoppenkast moet voorbehouden worden aan een bevoegd technicus. Geen enkele ingreep op de elektrische kast van het toestel (met uitzondering van het vervangen van een zekering) mag door een andere persoon dan een TRACTEL® bevoegd reparateur worden uitgevoerd.



5. Zorg ervoor dat de installatie van de werf of van het pand waarop de minifor™ is aangesloten uitgerust is met reglementaire elektrische beveiligingen zoals een stroomverbreker, differentieel en met de aarde verbonden, die de operator, de minifor™ en de uitrustingen beveiligen.
6. Controleer, als de minifor™ door een stroom-generator wordt gevoed, of deze ten minste bij de start de vereiste spanning en vermogen aflevert. (6 kVa voor de eenfase minifor™, 8 kVa voor de driefase minifor™).

### 5.3. Geval toestellen met driefase motor (TR30S / TR50 / TR55)

De toestellen met driefase motor zijn uitgerust met een richtingdetector in geval van omgekeerde volgorde van de fasen. Als na omgekeerde koppeling de driefase minifor™ TR30S / TR50 / TR55 niet werkt, ontkoppel dan het contact aan de hand van een schroevendraaier, draai 180° de plaat die zich aan de binnenkant van het bol contact bevindt om de goede volgorde van de fasen te herstellen (Zie fig. 14).

### 5.4. Plaatsen van de hijskabel in het toestel

**NOTA:** Het is raadzaam handschoenen te dragen om de kabel te hanteren.

- Het is verplicht dat de kabel volledig afgerold is en geen verdraaiingen heeft over de volledige lengte voordat men hem in het toestel monteert.
- Smeer de hijskabel in om het plaatsen in het toestel te vergemakkelijken.
- Controleer of de hoge eindaanslag op de hijskabel ingestoken is (veer naar het toestel) aan de kant van de haak van de kabel.
- Koppel de voedingskabel op het stopcontact.
- **Plaats** het vrije uiteinde van de hijskabel (gesoldeerd en afgerond punt) in het toestel via de **opening waarvan de plaats door een pijl aangegeven is** op de carter.

**N.B.:** zorg ervoor nooit de kabel in een andere opening te plaatsen, deze opening is uitsluitend voorbehouden voor de uitgang van de kabel. **Bevestig nooit een last op de slappe streng van de kabel.**

- Druk op de knop “Stijgen” van de knoppenkast en druk op de kabel zodat deze op de katrol aan de binnenkant van het toestel glijdt. (Voor toestellen met driefase stroom, zie 5.3).
- Zet deze beweging verder als de kabel uit het toestel komt, om een kabellengte van ongeveer één meter te verkrijgen.
- Plaats op het vrije uiteinde van de kabel (1) op de lage eindaanslag zodat het uiteinde van de veer zich dicht bij het toestel (2) bevindt en zet de schroef op de ring van de aanslag (3) vast met een inbussleutel (4). Er

moet minstens één meter kabel zijn tussen deze ring en het uiteinde van de kabel.

- Controleer of de eindaanslag niet op de kabel kan glijden (Fig. 15).

**N.B.:** Men kan de loop van de last naar beneden beperken; in dit geval moet men de gewenste kabellengte laten aflopen voordat men de ring van de eindaanslag vastzet.

Bevestig, aan de andere kant, de ring van de hoge eindaanslag volgens de hoogte waarop men het stijgen van de last eventueel wenst te beperken. Bevestig en controleer volgens dezelfde procedure als voor de lage eindaanslag.

- Controleer de goede werking van de hendels van de eindaanslagen van het toestel en de andere veiligheidsinrichtingen zoals aangegeven in hoofdstuk 8.

**De aanwezigheid van een eindaanslag op ongeveer één meter voor het vrije uiteinde van de hijskabel en een andere eindaanslag aan de kant van de haak van de kabel, beide stevig en correct bevestigd, is een verplichte veiligheidsvoorwaarde.**

### 5.5. Eindaanslagen en omkeerschijven

Als de montage van de installatie één of meerdere omkeerschijven bevat, moet ervoor gezorgd worden uitsluitend schijven met een juiste diameter te gebruiken. In dit geval, moeten de hoge (1) en de lage (2) eindaanslagen zodanig op de kabel geplaatst worden dat noch de hoge eindaanslag, noch de last in contact met een schijf kan komen. De hoge eindaanslag moet uiteraard tussen het toestel en de schijf geplaatst worden die zich het dichtstbij bevindt op het traject van de kabel (Zie Fig. 13).



#### BELANGRIJK

Controleer de compatibiliteit van de verankerpunten en de katrollen met de krachten die erop toegepast zullen worden.

### 5.6. Controle met last

Nadat de last bevestigd is, hijs deze aan een lage hoogte en controleer de goede werking van de bedieningen “Stijgen” en “Dalen” en de bediening “Noodstop”.

Als deze functies normaal werken, kan men de handelingen uitvoeren. Zoniet dient men het toestel terug te sturen naar een bevoegd erkend reparateur van het TRACTEL® netwerk (zie ook hoofdst. 5.3).

## 6. Bediening

De bediening van het toestel gebeurt door te drukken op één van de commando's: "Stijgen", "Dalen" van de knoppenkast (Fig. 2); deze moet altijd in verticale positie waar het aan de bedieningskabel hangt, gehouden worden. Plaats de kast nooit in omgekeerde positie (met andere woorden, met de elektrische kabel naar beneden), waardoor foutieve bedieningen veroorzaakt kunnen worden.

Zodra men de knop "Stijgen of "Dalen" loslaat, stopt de beweging. Het is raadzaam, bij hijsbewegingen aan een grote hoogte, een stoptijd van ongeveer 15 minuten te respecteren, om de 50 meter werking, om overmatig warmlopen te vermijden.

Alle motoren zijn beveiligd tegen overmatig warmlopen door een thermische sonde, geïntegreerd in de wikkeling. Deze sonde verbiedt de werking door het bedieningscircuit te onderbreken zolang de temperatuur van de wikkeling niet een aanvaardbare waarde bereikt heeft.

**N.B.:** Het warmlopen van de carter tot 80° is normaal.

Dankzij een rode noodstopknop kan men de beweging stopzetten in geval van slechte werking van de knoppen "Stijgen" of "Dalen". (Zie hoofdstuk 8: Veiligheidsinrichtingen).

Bij het stijgen of het dalen moet men de volgende voorzorgen nemen:

- Vermijd dat de last begint te schommelen of te draaien.
- Verwijder alle obstakels van de hijskabel of van de last.
- Zorg ervoor dat de slappe streng vrij is over de volledige lengte.
- Laat nooit een belaste streng slap worden als de last niet stabiel ondersteund is op een voldoende bestendig oppervlak.
- Vermijd de knoppenkast met opeenvolgende impulsen te doen werken ("getokkel").



### BELANGRIJK

Het is noodzakelijk de slappe streng verwijderd van de belaste streng te houden en, a fortiori, van de twee belaste strengen in de montage met katrolschijf, zodat deze slappe streng zich niet met de andere strengen gaat verwarren.

**Om dezelfde redenen is het noodzakelijk deze slappe streng verwijderd van alle obstakels te houden die hem zouden kunnen tegenhouden en om te vermijden dat hij met zichzelf in de war raakt, hetgeen als gevolg zou kunnen hebben dat de lage**

**eindaanslag die erop bevestigd is, de stoporganen (hendels eindaanslagen) kan bereiken. Een blokkering van de slappe streng tijdens de stijgende beweging (Dalen van de last) kan het breken van de kabel veroorzaken en de val van de last.**

**Een vervorming van de kabel kan ook de blokkering in het toestel of in contact met het toestel van het vervormde onderdeel. Ongeacht de oorzaak van de blokkering van de kabel tijdens de beweging, stop onmiddellijk de beweging zonder aan te dringen. Zie hoofdstuk 13.**

**De eindaanslagen zijn geen bedieningsorganen maar veiligheidsorganen. Ze mogen dus niet vrijwillig gebruikt worden, maar dienen uitsluitend als stoporganen in geval van onvrijwillige overschrijding van het voorziene traject.**

**Blijf nooit staan of werk nooit onder de last. Breng indien nodig een veiligheidsbarrière aan rond de zone onder de last.**

## 7. Buiten bedrijf stellen – opslag

Ontkoppel de haak van de kabel van de last slechts als deze eenmaal op een stabiele en voldoende stevige support staat.

Het toestel kan ter plaatse blijven op voorwaarde dat het beschermd is tegen barre weersomstandigheden en op een droge plaats. Ontkoppel het toestel van het elektrisch netwerk als het niet gebruikt wordt.

Houd het toestel buiten het bereik van personen die niet bevoegd zijn de machine te gebruiken.

Voor de opslag mag het toestel in zijn koffer worden bewaard. De kabel moet van het toestel verwijderd worden (behalve bij modellen met oprolinrichting) en op de bobine worden opgerold.

Het toestel mag nooit op zijn basis geplaatst worden als de kabel in het toestel geplaatst is. Dit kan de kabel plooiën en hem beschadigen.

## 8. Veiligheidsinrichtingen

De veiligheidsinrichtingen van deze toestellen zijn de volgende:

- Motorrem gebrek aan elektrische stroom.
- Noodstop bediening op de knoppenkast – Rode kleur (zie Fig. 2).
- Mechanische vergrendeling die de gelijktijdige inschakeling van de bedieningen Stijgen en dalen verbiedt.
- Bediening aan zeer lage spanning 48 V voor driefase toestellen.

- Hendels hoge en lage eindaanslagen op het toestel, die samenwerken met de aanslagen op de kabel.
- Veiligheidsspallen (1) op de haken (Fig. 16 en 17).
- Elektrische beveiliging van de knoppenkast: klasse 2.
- Veiligheidszekering van de bediening in elektrische knoppenkast.
- elektrische lastbegrenzer op de minifor™ TR110.

De noodstop wordt verkregen door te drukken op de rode knop (Fig. 2). Om het starten na inschakeling van de noodstop mogelijk te maken, moet men de noodstopknop uitschakelen door deze in de richting van de pijlen die erop aangegeven zijn, te draaien, nadat men gecontroleerd heeft of de oorzaken van de noodstop opgeheven zijn.

## 9. Hijskabel

Op één van de uiteinden heeft de minifor™ kabel een veiligheidshaak, gemonteerd op een lus van de kabel, uitgerust met een kabelschoen en gefelst in een metalen mof (zie Fig.17). Het andere uiteinde is gelast en afgeslepen. Dit uiteinde moet zo gehouden worden, gelast, afgerond en zonder oneffenheden (zie Fig. 18).

Het is van essentieel belang om de gebruiksveiligheid van de minifor™ toestellen te waarborgen ze uitsluitend te gebruiken met de minifor™ kabel, speciaal ontwikkeld voor deze toestellen en met een diameter van 6.5 mm.

Het gebruik van een beschadigde of niet aangepaste kabel vormt een belangrijk risico op ongevallen en bedrijfsstoringen. Het is bijgevolg nodig de goede staat van de kabel constant te controleren en onmiddellijk alle kabels die symptomen van vervormingen vertonen, zoals plooiën of gebroken draden, uit dienst te nemen. Alle kabels waarvan de slijtage de nominale diameter met 10 % verminderd heeft of die meer dan 10 gebroken draden bevat over een lengte van 200 mm moeten verwijderd worden. ISO 4309 Norm (Meet zoals aangegeven - Fig. 20).

Stel een kabel nooit bloot aan temperaturen van meer dan 100°C en ook niet aan agressie van mechanische of chemische stoffen.

Berg de opgerolde kabel op een bobine op, beschermd tegen vocht nadat men hem behoorlijk gereinigd en ingesmeerd heeft over de volledige lengte. Gebruik geen vet of olie met molybdeenbisulfide of grafiettoevoegsels.

## 10. Onderhoud

Het onderhoud van het toestel bestaat uit de controle van de goede staat ervan, de reiniging ervan en de periodieke controle (minstens eenmaal per jaar) door

een door TRACTEL® bevoegd erkend reparateur. Geen enkele smering of invetbeurt van het toestel moet door de gebruiker uitgevoerd worden. (Voor het onderhoud van de hijskabel, raadpleeg hoofdstuk 9). Controleer of de bevestigingsschroef en de remmoer-bevestiging van de ophanghaak van het toestel altijd correct vastzitten. Pas indien nodig aan.

Elke schijnbare beschadiging van het toestel en zijn uitrustingen, met name de haken, de hijskabel en de elektrische geleiders moeten onderwerp uitmaken van een herstelling voordat men het toestel opnieuw gebruikt.



### BELANGRIJK

De opening van het toestel, met uitzondering voor het vervangen van de zekering, mag uitsluitend door een door TRACTEL® bevoegd erkend reparateur worden uitgevoerd.

## 11. minifor™ met katrolschijf (fig. 25.C)

### 11.1. Beschrijving

Een minifor™ katrolschijf kan alleen op de minifor™ TR10 / TR30 / TR30S / TR50 / TR110 worden gemonteerd. Deze montage verdubbelt het vermogen van het toestel (maximale gebruiksbelasting) (behalve model TR 50). Daartegenover vermindert de snelheid met de helft.

De minifor™ mag niet met ander materiaal uitgerust worden dan met de minifor™ katrolschijf. Geen enkel ander aanvullend systeem mag toegevoegd worden.

Een minifor™ katrolschijf bevat (Fig. 21) :

- Een ophanginrichting van de draagstreng.
- Een standaard katrolschijf met haak en strop (of zelfblokkerende haak als optie) uitgerust met een veer voor hoge eindaanslag,
- Een montagehandleiding.

Deze uitrusting mag uitsluitend gebruikt worden voor het uitrusten met een hijsblok van een minifor™.

### 11.2. Montage

De gebruiker moet noteren dat, bij deze montage, de nodige kabellengte minstens het dubbel bedraagt van de hijshoogte, plus ongeveer 2 meter waarvan één meter slappe, zichtbare streng indien de katrolschijf wordt gebruikt.

De veer van de eindaanslag die op de katrolschijven glijd, is voorzien om de hoge eindaanslag te vervangen die met de kabel wordt meegeleverd. Als men echter het opwaarts traject wenst te beperken, is het mogelijk

een hoge standaard eindaanslag te plaatsen tussen de katrol en de ingang van de kabel van het toestel gekenmerkt door een pijl.



### BELANGRIJK

Verdubbel bij deze katrolschijf de maximale gebruiksbelasting die in rekening genomen moet worden bij de veiligheidsberekeningen.

**ATTENTIE:** Let erop de katrolschijf zo te monteren dat de veer van de glijdende eindaanslag op de kabel zit tussen de katrol en de ingang van de kabel van het apparaat. Zie instructiehandleiding van het katrolschijfpakket. Figuur 25 toont de verschillende configuraties van de minifor™.

**NOTA:** Rekening houdende met de risico's op verwarring van de strengen van de hijskabel, is het raadzaam de minifor™ alleen te gebruiken voor het verticaal, direct hijsen (Fig. 5) als hij met een katrolschijf uitgerust is.

## 11.3. Bediening

Bij de bediening van dit katrolschijfsysteem moet de operator er in het bijzonder voor zorgen dat de last niet gaat draaien, om de verwarring van de drie strengen van de kabel (twee belaste strengen + slappe streng) te vermijden. Stop onmiddellijk de beweging van de last als de slappe streng met de andere strengen verward raakt en ontkoop voordat u de beweging opnieuw hervat.

Raadpleeg, voor meer details over het gebruik van de minifor™ met katrolschijf, de bij het minifor™ systeem bijgeleverde instructiehandleiding.

## 12. Speciale minifor

### 12.1. minifor™ TR10/TR30 met ingebouwde oprolinrichting

De modellen TR10/TR30 kunnen uitgerust worden met een veeraangedreven kabeloprolinrichting (optie), geleverd met kabel leverbaar in twee verschillende lengten naargelang de aanvraag: 20, 27 of 40 m (fig 25.d).

Deze uitrusting schaft de aanwezigheid van een "slappe streng" van variabele lengte af.

Het geheel is geleverd met twee eindaanslagen, hoog en laag, gemonteerd op de kabel. De haak van de kabel is uitgerust met een ballast. Deze ballast is onontbeerlijk en mag niet verwijderd worden.

De oprolinrichting moet in het fabriek gemonteerd worden. De gebruiker kan zijn toestel naar Tractel® terugsturen om het uit te laten rusten met deze oprolinrichting.

Het toestel moet geplaatst en gebruikt worden zodat de oprolinrichting vrij kan draaien, zonder tegen een extern obstakel te schuren.



### BELANGRIJK

De minifor™ uitgerust met een oprolinrichting mag niet steunend op een platform worden gebruikt (risico op wrijvingen).

## 12.2. minifor™ met HF afstandsbediening (fig. 25.b)

Alle minifor™ modellen kunnen geleverd worden met een afstandsbediening (optie), samengesteld uit een draagbare commandozender (Fig. 22.a) en een ontvangtoestel dat zich op het toestel bevindt (Fig. 22.b). De zender werkt met batterijen. Dankzij deze inrichting is het mogelijk op afstand het stijgen, het dalen en de stop van het toestel te bevelen, zonder bedieningskabel. Het systeem werkt door transmissie van gecodeerde HF radiogolven.

De codering van elk toestel kan door de gebruiker gewijzigd worden, hoofdzakelijk voor het gebruik van meerdere afstandsbedieningen op dezelfde site.

De toetsen van de zender en van de ontvanger moeten in dezelfde positie staan. Raadpleeg de documenten van de bouwer van de afstandbediening bijgeleverd bij het toestel.

Het is ten zeerste aanbevolen de radiogestuurde minifor™ te gebruiken zonder de last uit het oog te verliezen. Zoniet, moeten aangepaste maatregelen de ongecontroleerde risico's die hier het gevolg van zouden kunnen zijn, uitsluiten.

**N.B.:** Het zendtoestel moet met voorzicht gehanteerd en bewaard worden want schokken kunnen het toestel beschadigen.

**NOTA:** Zonder wijziging van de codering zal elke manipulatie van de zender de identieke en quasi gelijktijdige beweging van alle radiogestuurde toestellen die zich op dezelfde site bevinden, veroorzaken.

**ATTENTIE:** Wanneer de zender naar de voorkant van de ontvanger is gericht, is het radiobereik maximaal 500 m. in open veld.

Deze rijkwijdte kan nochtans veranderd worden in een andere situatie onder andere vanwege:

- de aanwezigheid van obstakels,
- het bestaan van elektromagnetische storingen,
- bepaalde atmosferische omstandigheden.

In het geval van moeilijkheden of speciaal gebruik, neemt u contact op met het netwerk van Tractel®.

**ATTENTIE:** Bij de hantering moet men rekening houden met een kleine reactietijd van het systeem. De hantering van meerdere toestellen met eenzelfde zender garandeert dus geen nauwkeurige synchronisatie.

Deze afstandsbediening is in Frankrijk goedgekeurd door het ART (Autorité de Régulation des Télécommunications) zonder individuele licentie-verplichting. Geen enkele wijziging mag aan deze afstandsbediening aangebracht worden.

Het gebruik van de minifor™ met afstandsbediening buiten Frankrijk is ondergeschikt aan een compatibiliteitscontrole met de plaatselijke reglementering van radiogolven.

De minifor™ toestellen met afstandsbediening hebben geen knoppenkast verbonden door bedieningskabel (optie op aanvraag).

### 13. Verboden gebruik

Het gebruik van de minifor™ toestellen conform de in deze handleiding beschreven voorschriften verschaffen een volledig veilig gebruik. Het is echter vaak nuttig de gebruiker te behoeden voor de volgende onjuiste hantering.

#### HET IS VERBODEN:

- Het minifor™ toestel te gebruiken voor het hijsen van personen, zelfs af en toe.
- Een minifor™ toestel te gebruiken voor andere doeleinden dan waarvoor het bestemd is of volgens andere montageschema's dan in deze handleiding beschreven.
- Het toestel te gebruiken met een grotere last dan de maximale gebruiksbelasting.
- De last te bevestigen op de haak van het toestel en de haak van de kabel op het vast punt.
- Het toestel te bevestigen met het handvat.
- Het toestel in bedrijf te stellen zonder eerst de juiste aanwezigheid van de twee eindaanslagen te controleren.
- Het toestel in te schakelen op een contact zonder eerst de conformiteit van het toestel met de geleverde stroom en de aanwezigheid van de reglementaire elektrische veiligheidsinrichtingen te controleren.
- Het toestel te bevestigen in een structuur (behalve geval beschreven in hoofdstuk 4.2) of de uitlijning op de kabel te hinderen.

- Een toestel met andere systemen uit te rusten dan met de minifor™ katrolschijf.
- Een last op de grond te bewegen met een toestel dat zich niet in de uitlijning van de verplaatsing van de last bevindt.
- De beweging te forceren in geval van blokkering van de kabel in of tegen het toestel, een driefase toestel te doen werken met omgekeerde bedieningen in verhouding tot de aangegeven richting.
- De slappe streng van de hijskabel te belasten.
- Een toestel met katrolschijf steunend te gebruiken.
- De hijskabel te gebruiken als strop voor het ophangen van de last.
- De last te laten slingeren onder het toestel.
- Onder de last te blijven staan of zich eronder te begeven.

### 14. Markering

- 1 : Certificeringsmerk (bijv. CE...)
- 2 : Type apparaat
- 3 : Minimale breukbelasting van de kabel
- 4 : Maximale gebruiksbelasting
- 5 : Gegarandeerd akoestisch vermogen
- 6 : Motorspanning
- 7 : Ophef- en dalingssnelheid
- 8 : Raadpleeg de gebruiks- en onderhoudshandleiding
- 9 : Bouwjaar
- 10 : Motorvermogen
- 11 : Serienummer
- 12 : Motorfrequentie
- 13 : Kabeldiameter
- 14 : Naam en adres van de fabrikant
- 15 : Aantal fasen
- 16 : F.E.M.-classificatie

## 15. Bedrijfsstoringen



Storing	Mogelijke oorzaken	Handeling
1 - Blokkering van de kabel	<ul style="list-style-type: none"> <li>• Vervorming van de kabel aan de binnenkant of in contact met het toestel.</li> <li>• Contact van de slappe streng rond een andere streng of met een obstakel.</li> <li>• Hapering van de last tijdens het stijgen.</li> </ul>	<ul style="list-style-type: none"> <li>• Stop onmiddellijk de beweging zonder aan te dringen.</li> <li>• Herneem de last met een ander middel dat reglementaire veiligheidsgaranties biedt en verwijder de last van het toestel. Probeer de kabel uit het toestel te halen. Als dit niet mogelijk, stuur dan het toestel en de kabel naar een TRACTEL® erkend reparateur.</li> <li>• Als een anomalie op de kabel verschijnt, neem hem uit dienst.</li> <li>• Verwijder verplicht de slappe streng en controleer de kabel voordat u de beweging hervat.</li> <li>• Verwijder de last en controleer de kabel voordat u de beweging hervat.</li> </ul>
2 - Afwezigheid van de rotatie van de motor	<ul style="list-style-type: none"> <li>• Noodstop ingeschakeld.</li> <li>• Hendel eindaanslag ingeschakeld.</li> <li>• Verbrande zekering.</li> <li>• Hendel eindaanslag geblokkeerd of beschadigd.</li> <li>• Voeding onderbroken, defect contact of defecte connector.</li> <li>• Defecte knoppenkast of relais.</li> <li>• De motor is na intensief gebruik warm gelopen en de thermische sonde is ingeschakeld (eenfase motor 230 V).</li> <li>• Omgekeerde fasen (driefase motor).</li> </ul>	<ul style="list-style-type: none"> <li>• Schakel de noodstop uit (rotatie).</li> <li>• Als de stop veroorzaakt werd door de ingreep op de eindaanslag op de hendel, bedien in tegenovergestelde richting.</li> <li>• Vervang de zekering (zekering kaliber 2A beveiliging van de bediening).</li> <li>• Stuur het toestel terug naar een TRACTEL® erkend reparateur.</li> <li>• Laat door een elektricien herstellen.</li> <li>• Stuur het toestel terug naar een TRACTEL® erkend reparateur.</li> <li>• Wacht tot de motor afkoelt.</li> <li>• Zie hoofdstuk 5.3.</li> </ul>
3 - Rotatie van de motor in één enkele richting	<ul style="list-style-type: none"> <li>• Beschadigde eindaanslag.</li> <li>• Defecte knoppenkast of relais.</li> <li>• Verbrande bobine relais.</li> </ul>	<ul style="list-style-type: none"> <li>• Stuur het toestel terug naar een TRACTEL® erkend reparateur.</li> </ul>

Storing	Mogelijke oorzaken	Handeling
4 - Zwakke rotatie van de motor met "gegrom"	<ul style="list-style-type: none"> <li>• Defect voedingsnetwerk.</li> <li>• Belangrijke drukdaling.</li> <li>• Elektromagnetische rem gesloten gehouden.</li> <li>• Onvoldoende aandrijfkoppel bij start (defecte condensator of onderbreking van het oprollen van de bobine motor).</li> <li>• Defecte rem of reductor.</li> <li>• Overbelasting.</li> </ul>	<ul style="list-style-type: none"> <li>• Controleer de voedingsspanning.</li> <li>• Stuur het toestel terug naar een TRACTEL® erkend reparateur als de voedingsspanning of de overbelasting niet de oorzaak is.</li>   <li>• Verminder de last of plaats een hijsblok.</li> </ul>
5 - Onmogelijk de kabel te plaatsen	<ul style="list-style-type: none"> <li>• Te grote kabeldiameter.</li>   <li>• Defect kabeluiteinde.</li>   <li>• Vervorming van de kabel.</li>   <li>• Omgekeerde commando's voor driefase model.</li>   <li>• Beschadigde interne geleideronderdelen.</li> </ul>	<ul style="list-style-type: none"> <li>• Controleer de diameter. Vervang door een kabel met correcte diameter.</li> <li>• Indien van toepassing, las opnieuw met een brander het uiteinde van de kabel. Afslijpen en afronden.</li> <li>• Verwijder het vervormde gedeelte. Snijd af, las opnieuw en slijp het afgesneden uiteinde af.</li> <li>• Schakel de knop "Dalen" in. Als de kabel normaal ingaat, schakel de knop "Stijgen" in om hem te verwijderen en de fasen om te keren op het hiervoor voorziene contact.</li> <li>• Bij afwezigheid van de bovenstaande oorzaken, stuur de Minifor™ terug naar een TRACTEL® erkend reparateur.</li> </ul>
6 - De kabel glijdt of slijpt bij het stijgen	<ul style="list-style-type: none"> <li>• Te kleine kabeldiameter.</li> <li>• Slijtage van de kabel meer dan 10 % van de nominale diameter.</li>   <li>• Belangrijke slijtage van het bevestigingssysteem.</li> </ul>	<ul style="list-style-type: none"> <li>• Controleer de kabeldiameter zoals aangegeven in de handleiding. Als blijkt dat de kabel niet conform of versleten is, verwijder hem dan en gebruik een nieuwe kabel.</li> <li>• Stuur het toestel terug naar een TRACTEL® erkend reparateur als de kabel normaal is.</li> </ul>
7 - De daling van de last is niet afgeremd: de kabel glijdt ondanks het stoppen van de motor	<ul style="list-style-type: none"> <li>• Ontregelde rem.</li> <li>• Versleten remvoering.</li> <li>• Remvoering doordrenkt met olie of vet.</li> <li>• Overbelasting.</li> </ul>	<ul style="list-style-type: none"> <li>• Stel de luchtspleet af.</li> <li>• Stuur het toestel terug naar een TRACTEL® erkend reparateur.</li> </ul>
8 - De motor stopt tijdens de beweging	<ul style="list-style-type: none"> <li>• De motor is na intensief gebruik warm gelopen en de thermische sonde is ingeschakeld.</li> </ul>	<ul style="list-style-type: none"> <li>• Wacht tot de motor afkoelt.</li> </ul>

**Inspection sheet – Feuille de contrôle – Kontrollkarte – Controleblad – Hoja de revisión – Scheda di revisione – Folha de controle**  
**Δελτίο ελέγχου – Kontrollskjema – Kontrollblad – Tarkastuslista – Kontrollblad – Karta kontrolna – Контрольный листок**

Type of product Type de produit Produkttyp Produkttyp Tipo de producto Tipo di prodotto Tipo de produto Τύπος προϊόντος Product type Προϊόντος Продукт Typ produktu Тип изделия	Product reference Référéncie produit Codenummer Produktcode Referéncia producto Referéncia prodotto Referéncia do produto Κωδικός προϊόντος Productreference Produktreferéncia Referéncia do produto Продукт Produkt Oznaczenie produktu Номер изделия	Serial number Número de série Seriennummer Seriennummer Numero di serie Número de série Σειράς αριθμός Seriennummer Seriennummer Serijski broj Numer serijny Номер Серии	Name of user Nom de l'utilisateur Name des Benutzers Naam van de gebruiker Nombre del usuario Nome dell'utilizzatore Nome do utilizador Όνομα του Χρήστη Brukernes navn Användarens namn Käyttäjän nimi Службовий Nazivsko upotkovnika Фамилия пользователя
Date of manufacture Date of fabrication Herstellertid Fabricagedatum Fecha de fabricación Data di produzione Data de fabrico Ημερομηνία κατασκευής Fabricasjonsdato Tiliverktingsdato Valmistuspäivä Fabricationsdato Data produkci Дата производства	Date of purchase Date d'achat Köptid Aankoopdatum Fecha de compra Data di acquisto Data de compra Ημερομηνία αγοράς Kjøpedato Inkoopdatum Ostöpäivä Kobesdato Data zakupu Дата покупки	Date of first use Date de première utilisation Datum for første bruk Datum i første bruk Fecha de puesta en servicio Data di messa in servizio Data de entrada em serviço Ημερομηνία θέσης σε λειτουργία Dato for bruk første gang Första användningsdagen Käyttöönottopäivä Data for brukning Data przekazania do użytku Дата ввода в эксплуатацию	

**Inspection – Vérification – Prüfung – Controle – Verificaciones – Verifiche**  
**Verificação – Έλεγχος – Kontroll – Kontroll – Tarkastus – Eftersyn – Kontrola – проверка**

Date Datum Date Datum Fecha Data Data Ημερομηνία Datum Dato Data Дата	 	Date of next inspection Date du prochain examen Datum der nächsten Prüfung Datum van het volgende onderzoek Fecha del próximo examen Data della prossima ispezione Data do próximo exame Ημερομηνία του επόμενου ελέγχου Date de la prochaine inspection Neste inspeksjonsdato Seuraavan tarkastuksen päivämäärä Data następnego przeglądu Дата следующей проверки	Name of inspector Nom du contrôleur Name des Prüfers Naam van de controller Nombre del controllore Nome do controllore Όνομα του ελεγκτή Nome do controlador Beskrivning av namnet Tarkastajan nimi Kontrollörens navn Nazivsko kontroljace Фамилия проверяющего	Signature Visa Unterschrift Gezien Firma Firma Visto Ευχαριστώ Stämpel Hyvaksyvä Underskrift Pozwolenie Виза	<b>Repairing – Réparation</b> <b>Reparatur – Herstelling</b> <b>Reparación – Riparazione</b> <b>Reparação – Επιδιόρθωση</b> <b>Reparasjon – Reparation</b> <b>Korjaus – Reparatur</b> <b>Нарува – Починка</b>
--	--	--	--	--	---




Índice	Página
INSTRUCCIONES PREVIAS .....	58
1. Presentación .....	59
2. Especificaciones funcionales .....	60
3. Accesorios y piezas de recambio .....	61
4. Amarre - esquema de montaje .....	61
5. Puesta en servicio .....	62
6. Maniobra .....	64
7. Puesta fuera de servicio - almacenamiento .....	64
8. Dispositivos de seguridad .....	64
9. Cable de elevación .....	65
10. Mantenimiento .....	65
11. minifor™ con polea (fig. 25.c) .....	65
12. minifor™ especiales .....	66
13. Contraindicaciones de empleo .....	67
14. Marcado .....	67
15. Anomalías de funcionamiento .....	68

Con el fin de mejorar constantemente sus productos el Grupo TRACTEL® se reserva el derecho de hacer cualquier modificación que crea útil en los productos descritos en el presente manual.

TRACTEL® IBERICA S.A. y sus distribuidores autorizados les facilitarán, bajo demanda, documentación relativa a la gama de los otros productos TRACTEL®: aparatos de elevación y tracción, equipos de acceso en obra y para fachadas, dispositivos de seguridad, indicadores electrónicos de carga, accesorios tales como poleas, ganchos, eslingas, anclajes, etc...

TRACTEL® IBERICA S.A. y sus talleres autorizados pueden ofrecerle un servicio de post-venta y de mantenimiento periódicos.

## INSTRUCCIONES PREVIAS

1. Antes de instalar y utilizar este aparato, es indispensable, para su seguridad de empleo y su eficacia, leer el presente folleto y cumplir con sus prescripciones. Un ejemplar de este folleto debe ser conservado a disposición de todo operador. Se puede suministrar ejemplares suplementarios a pedido.
2. No utilizar este aparato si una de las placas fijadas en el aparato, o si una de las inscripciones que figuran ahí, tal como está indicado en la sección 14 de marketing del presente manual, ya no está presente o no es legible. Se pueden suministrar placas idénticas a pedido a Tractel®, las cuales deben ser fijadas antes de continuar la utilización del aparato.
3. Asegúrese de que toda persona a quien confía la utilización de este aparato conoce su manejo y está apta para asumir las exigencias de seguridad que este manejo exige para el empleo concernido. El presente folleto debe ser puesto a su disposición.
4. La utilización de este aparato debe cumplir con la reglamentación y las normas de seguridad aplicables referentes a la instalación, la utilización, el mantenimiento y el control de los aparatos de elevación de material.
5. Para todo uso profesional, este aparato debe ser puesto bajo la responsabilidad de una persona que conozca la reglamentación aplicable, y que tenga autoridad para encargarse de su aplicación si no es su operador.
6. Toda persona que utiliza este aparato por primera vez debe verificar, sin correr riesgos, antes de aplicarle la carga, y en una altura de elevación baja, que ha comprendido todas sus condiciones de seguridad y eficacia de su manejo.
7. La colocación y la puesta en funcionamiento de este aparato deben ser realizadas en condiciones que garanticen la seguridad del instalador conforme a la reglamentación aplicable a su categoría.
8. Antes de cada utilización del aparato, verificar que está en buen estado visible, así como los accesorios utilizados con el aparato.
9. Tractel® rehúsa su responsabilidad por el funcionamiento de este aparato en una configuración de montaje no descrita en el presente folleto.
10. El aparato debe ser colgado de verticalmente de un punto de amarre y de una estructura suficientemente resistentes para soportar la carga máxima de utilización indicada en el presente folleto. En caso de utilización de varios aparatos, la resistencia de la estructura debe ser función del número de aparatos, según su carga máxima de utilización.

11. Toda modificación del aparato fuera del control de Tractel®, o la supresión de piezas que forman parte de éste, exoneran a Tractel® de su responsabilidad.
12. Tractel® sólo garantiza el funcionamiento del aparato si está equipado con un cable Tractel® original, según las especificaciones indicadas en el presente manual.
13. Toda operación de desmontaje de este aparato no descrita en este folleto, o toda reparación realizada fuera del control de Tractel, exoneran a Tractel® de su responsabilidad, especialmente en el caso de reemplazo de piezas originales por piezas de otra procedencia.
14. Toda intervención en el cable para modificarlo o repararlo fuera del control de Tractel® excluye la responsabilidad de Tractel® en lo que respecta a las consecuencias de esta intervención.
15. Este aparato nunca debe ser utilizado para operaciones que no sean aquellas descritas en este folleto. Nunca debe ser utilizado para una carga superior a la carga máxima de utilización indicada en el aparato. Nunca debe ser utilizado en una atmósfera explosiva.
16. Está prohibido utilizar este aparato para la elevación o el desplazamiento de personas.
17. Cuando una carga debe ser levantada por varios aparatos, la instalación de éstos debe ser precedida de un estudio técnico realizado por un técnico competente, y luego conducida conforme a este estudio, sobre todo para asegurar la distribución constante de la carga en condiciones convenientes. Tractel® rehúsa toda responsabilidad para el caso en que el aparato Tractel® fuese utilizado junto con otros aparatos de elevación de otro origen.
18. Durante las operaciones de elevación, tanto en subida como en bajada, el usuario debe permanecer constantemente a la vista de la carga.
19. Nunca estacionar o circular debajo de la carga. Señalizar y prohibir el acceso a la zona situada debajo de la carga.
20. El control permanente del buen estado visible del aparato y su mantenimiento correcto forman parte de las medidas necesarias para su seguridad de empleo. El aparato debe ser verificado periódicamente por un técnico de reparación autorizado de Tractel, como está indicado en este folleto.
21. El buen estado del cable es una condición esencial de seguridad y de buen funcionamiento del aparato. El control del buen estado del cable debe ser realizado en cada utilización tal como está indicado en el capítulo "cable". Todo cable que presente signos de deterioro debe ser desechado definitivamente.
22. Cuando el aparato no es utilizado, debe ser colocado fuera del alcance de personas no autorizadas a utilizarlo.
23. El usuario debe asegurarse, durante la utilización, de que el cable está constantemente tensado por la carga, y particularmente que ésta no es neutralizada temporalmente por un obstáculo en la bajada, lo que puede ocasionar un riesgo de rotura del cable cuando la carga se libera de su obstáculo.
24. En caso de interrupción definitiva de su utilización, desechar el aparato en condiciones que impidan su utilización. Respetar la reglamentación sobre la protección del medio ambiente.



### IMPORTANTE

Para todo uso profesional, especialmente si usted debe confiar este aparato a personal asalariado o asimilado, cumpla con la reglamentación del trabajo aplicable al montaje, el mantenimiento y la utilización de este material, sobre todo en lo referente a las verificaciones exigidas: verificación en la primera puesta en servicio por el usuario, verificaciones periódicas y después de un desmontaje o reparación.

## 1. Presentación

### 1.1. Principio de funcionamiento

El minifor™ es un torno-polipasto eléctrico portátil, de elevación y tracción, de cable pasante, que funciona mediante un sistema de accionamiento de apriete automático que permite una carrera ilimitada del cable de elevación.

El sistema de accionamiento está constituido por una polea cuya ranura tiene un perfil especial, y en la cual el cable es apretado bajo el efecto de la carga por dos rodillos articulados.

Un muelle de pre-apriete, que actúa en estos rodillos, asegura la adherencia del cable sobre la polea cuando no hay carga. Fuera de la acción del muelle de pre-apriete, el apriete del cable contra la polea de accionamiento es proporcional a la carga.

Este diseño técnico brida una gran seguridad siempre que se respeten las instrucciones indicadas en el presente folleto en el capítulo "Amarre - esquemas de montaje".

El aparato minifor™ debe ser utilizado exclusivamente con el cable de elevación especial minifor™ del diámetro indicado (ver las especificaciones) para asegurar totalmente la seguridad y eficacia de su empleo.

TRACTEL® rehúsa toda responsabilidad de las consecuencias de un empleo del aparato con cualquier otro cable que no sea el cable minifor™.

Cada aparato minifor™ es objeto de una prueba antes de su expedición al 110 % de la carga máxima de utilización.

### 1.2. Composición de una entrega estándar MINIFOR™

Cada minifor™, según el modelo, es entregado en una caja de cartón o caja metálica que contiene:

1. El aparato con su botonera, equipado con su asa de transporte, su gancho de seguridad y una extensión de alimentación con toma macho/hembra.
2. Una bolsa de plástico que contiene:
  - un tope de fin de carrera bajo sobre muelle,
  - una llave ALLEN de 3 para la fijación de los topes de fin de carrera en el cable.
3. Una bolsa de plástico que contiene:
  - este folleto de instrucciones,
  - la declaración CE de conformidad
  - llegado el caso, los documentos relativos al control por radio.
4. Según la opción de mando, el cable de elevación de la longitud correspondiente montado en un carrete, equipado con un gancho de seguridad y un tope de fin de carrera alto montado en un muelle.

### 1.3. Descripción y marcado

La figura 1 muestra un minifor™ estándar en su posición de utilización más corriente y en orden de marcha, suspendido de una pinza de enganche en viga. El aparato estándar es entregado con un cable eléctrico de mando de 2.50 m con botonera colgante (Fig. 2) y un cable eléctrico de alimentación de 0.50 m. Puede ser entregado a pedido con longitudes diferentes de cable de mando y de alimentación. Cada aparato tiene un número de serie que se encuentra en la parte de encima del cárter del aparato. Hay que indicar este número completo (incluso la letra) para toda solicitud de piezas de recambio o de reparaciones.


Cerciórese permanentemente de que todas las etiquetas están colocadas y son legibles.

La longitud del cable de elevación está marcada en el manguito del extremo pasado por el gancho. Si es preciso, es aconsejable verificar esta longitud puesto que el cable puede haber sido acortado después de su entrega. Todos los minifor™ son entregados con una botonera (Fig. 2) con doble aislamiento IP 65 de 3 mandos: Subida, Bajada y Parada de emergencia.

**NOTA:** La indicación "Subida" o "Bajada" está indicada en el botón de mando correspondiente, mediante una flecha orientada en el sentido del movimiento accionado, sujetando la botonera en su posición colgante (Fig. 2).

## 2. Especificaciones funcionales

A pedido: otras tensiones y frecuencias.

	TR10	TR30	TR30S		TR50		TR55		TR110
	1~	1~	1~	3~	1~	3~	1~	3~	1~
Número de fases	1~	1~	1~	3~	1~	3~	1~	3~	1~
C.M.U. Estándar/con polipastokg	100 / 200	300 / 600	300 / 600		500 / 950		550 / -		550 / 1100
Velocidad Estándar/con polipastos (m/min)	15 / 7,5	5 / 2,5	13 / 6,5		7 / 3,5		7 / -		7 / 3,5
Clase FEM 9.511/ISO	-	-	1Bm / M3	1Bm / M3	1Bm / M3	1Bm / M3	1Bm / M3	1Bm / M3	1Bm / M3
Potencia (kW)	0,25		1,1		1,1		1,1		1,1
Intensidad en el arranque (A)	25,5 / 17,3		54 / 16	19 / 11	54 / 16	19 / 11	54 / 16	19 / 11	16
Intensidad nominal (A)	7,5 / 3,9		16 / 8	5,9 / 3,4	16 / 8	5,9 / 3,4	16 / 8	5,9 / 3,4	8
Tensión de alimentación (V)	115 / 230		115 / 230		115 / 230		230 / 400		230
Tensión de mando (V)	115 / 230		115 / 230		115 / 230		230 / 400		230
Frecuencia (Hz)	50		50		50		50		50
Diametro del cable de acero (mm)	6,5		6,5		6,5		6,5		6,5
peso del cable por metro (kg)	0,17		0,17		0,17		0,17		0,17
peso del aparato estándar (sin cable) (kg)	21		33	33	33	33	33	33	43
peso enrollador con 20m de cable (kg)	+23		-	-	-	-	-	-	-
Peso enrollador con 27 m de cable (kg)	+28		-	-	-	-	-	-	-
Peso enrollador con 40 m de cable (kg)	+30		-	-	-	-	-	-	-
Peso kit de trócola (kg)	+5		+8		+8		-		+8
 L <sub>WA</sub> dB(A)	86	85	88		90		90		90

### 3. Accesorios y piezas de recambio

Las piezas y accesorios siguientes pueden ser suministrados y montados por el usuario:

- Tope de fin de carrera alto y tope de fin de carrera bajo (intercambiables)
- Cable de elevación equipado con gancho con engarce de ojo
- Fusible
- Toma de alimentación (electricista)

### 4. Amarre - esquema de montaje

Verificar que el punto fijo de amarre tiene una resistencia suficiente para el esfuerzo que se va a aplicar.

Si la fijación del aparato se debe realizar en un lugar peligroso para el operador, se debe tomar las precauciones de seguridad previstas por la reglamentación del trabajo para excluir todo riesgo no controlado en esta operación. Puede resultar preferible en este caso colocar el cable de elevación en el aparato antes de la operación de amarre (ver el capítulo 5).

El aparato puede ser utilizado suspendido o apoyado sobre su base.

#### 4.1. Fijación del aparato suspendido

Es el montaje más simple y más usual. El amarre del aparato se debe realizar exclusivamente mediante su gancho (salvo en el 4.2 a continuación) y nunca por su asa. Está prohibido amarrar el gancho del cable en el punto fijo para hacer trabajar el aparato desplazándose por el cable (Fig. 3 montaje obligatorio, Fig. 4 montaje prohibido).

El gancho del aparato debe estar colocado en el dispositivo del punto de fijación, de modo que ese dispositivo soporte al fondo del gancho. La válvula de seguridad del gancho debe cerrarse completamente. Si surge un obstáculo en la articulación del gancho del aparato con el dispositivo de fijación, es indispensable interponer una eslinga de capacidad apropiada.

#### 4.2. Fijación del aparato apoyado sobre su base

Este tipo de instalación requiere precauciones particulares:

1. La superficie de apoyo sobre la cual se coloca el aparato debe ser plana y horizontal.
2. Esta superficie debe tener, para el paso de los dos ramales de cable, un orificio cuya configuración y dimensiones están indicadas en la figura 24 que muestra la cara de apoyo del aparato y su emplazamiento en el orificio.

3. El aparato debe ser colocado de modo que el cable de elevación bajo carga no frote contra las paredes del orificio, y de modo que los topes de fin de carrera fijados en el cable puedan entrar en contacto con las palancas de fin de carrera del aparato.
4. El aparato debe estar calzado de modo que no sufra ningún desplazamiento de su cara de apoyo.
5. La plataforma sobre la cual se coloca el aparato apoyado debe poseer la estabilidad y resistencia necesarias para la seguridad de la operación.
6. La carga debe estar en suspensión libre (Fig. 5) o unida al aparato por intermedio de una polea de desvío que debe encontrarse imperativa y estrictamente verticalmente sobre el aparato (Fig. 6).



#### IMPORTANTE

Con este montaje, nunca elevar la carga sin haberla colocado previamente verticalmente sobre el aparato, salvo el caso de la polea de desvío.

#### 4.3. Amarre de la carga

El amarre de la carga se debe realizar obligatoriamente mediante el gancho del cable de elevación, y nunca en el gancho del aparato.

El amarre de la carga se debe realizar mediante una eslinga de capacidad, dimensiones y tipo apropiados para el objeto a manipular. Está prohibido utilizar el cable del aparato como eslinga pasándolo alrededor de un objeto para volver a ponerlo en su gancho (Fig. 7 eslingado correcto y Fig. 8 eslingado prohibido).

#### 4.4. Esquemas de montaje

##### 4.4.1. Aparato en suspensión, carga suspendida directamente

Este es el caso más simple (Fig. 7). La principal precaución es evitar la presencia de todo obstáculo contra el cual la carga o el cable de elevación podría apoyarse lateralmente o contra el cual la carga podría chocar.

##### 4.4.2. Aparato en suspensión, elevación oblicua directa

Este caso requiere la presencia de un plano inclinado estable sobre el cual la carga es izada y mantenida (Fig. 9).

##### 4.4.3. Aparato en suspensión, tracción o elevación indirecta

Este caso requiere una polea de desvío amarrada a un punto fijo (Fig. 11). Ver también el Capítulo 5.5.

#### 4.4.4. Aparato amarrado horizontalmente para tracción directa

Es indispensable para la seguridad de la operación que en ningún momento el aparato ni el cable puedan apoyarse lateralmente contra ningún objeto cuando están bajo tensión (Fig. 10).

Cerciórese de la alineación perfecta del aparato con el cable mediante un amarre del aparato libremente articulado, por ejemplo mediante una eslinga.

**Nunca fijar el aparato rígidamente** en una estructura de amarre. Asegurarse de la libertad de movimiento de los diferentes ramales del cable evitándoles todo tipo de rozamiento.

**N.B.:** Si una polea de desvío es interpuesta para izar la carga sobre un plano inclinado, puesto que la carga es motriz, se está en un caso de elevación (caso 4.4.3).

#### 4.4.5. Aparato amarrado al nivel del suelo

Elevación mediante polea de desvío. Mismas recomendaciones que para el caso 4.4.4. La resistencia de la polea y la de su enganche deben ser calculadas para un esfuerzo igual al doble de la carga. (Fig. 12). Ver también el Capítulo. 5.5.

#### 4.4.6. Aparato apoyado, carga suspendida libremente

Seguir estrictamente las instrucciones del capítulo 4.2. y del capítulo 5.5. Tener un cuidado particular para evitar todo balanceo de la carga. Conformarse con la Fig. 5.

#### 4.4.7. Aparato apoyado, carga no suspendida libremente

Este caso de utilización requiere emplear a una polea de desvío fijada verticalmente sobre el aparato. (Fig. 6). Ver el capítulo 4.2 y el capítulo 5.5.

#### 4.4.8. Utilización con una polea

Todas las recomendaciones anteriores se aplican particularmente en el caso de utilización con una polea. En este caso, la puesta en tensión se debe realizar con una atención particular (ver el capítulo 11).

**IMPORTANTE:** El minifor <sup>TM</sup> TR55 no se puede enrollar porque no está equipado con un limitador de carga como lo requiere la Normativa Europea 2006/42 / CE para levantar cargas de más de 1000 kg

**N.B.:** En caso de utilización de poleas de desvío, el usuario se esforzará en colocar los topes de fin de carrera tal como está indicado en el capítulo 5.4 (Fig. 13).

## 5. Puesta en servicio

### 5.1. Verificaciones preliminares

- Carga o esfuerzo no superior a la carga máxima de utilización del aparato,
- Las poleas de desvío aumentan el esfuerzo que hay que aplicar para elevar una carga en proporciones no despreciables,
- Resistencia del punto fijo suficiente para aplicar con total seguridad un esfuerzo igual a la carga máxima de utilización (o al doble de esta carga en el caso 4.4.5),
- Amarre correcto,
- Cable de elevación en buen estado,
- Longitud del cable de elevación suficiente para el trayecto de la carga. Considerar un suplemento de por lo menos 1.50 m para el paso por el aparato y una longitud de ramal flojo visible suficiente,
- Longitud del cable eléctrico de mando suficiente para conectar el aparato en el emplazamiento previsto del operador en condiciones satisfactorias de seguridad.

### 5.2. Recomendaciones de tipo eléctrico

1. Antes de cada puesta en servicio en una nueva conexión, remitirse a la placa de identificación del motor.

Informarse de las características de la corriente suministrada: monofásica o trifásica, tensión y amperaje disponible. Verificar que la corriente suministrada es compatible con las características indicadas en la placa de identificación del motor. La intensidad disponible debe ser igual o superior a la indicada en la placa del motor.

2. En caso de utilización de una extensión de alimentación, escoger una extensión con las siguientes características:

- **monofásica** de 230 V: 3 hilos (1 fase, 1 neutro, 1 tierra) de sección de 2.5 mm<sup>2</sup>.
- **trifásica** de 400 V: 4 hilos (3 fases, 1 tierra) de sección de 2.5 mm<sup>2</sup>.

Estas características son válidas hasta 50 m de longitud de cable eléctrico. Por encima de este valor, consultar a la red TRACTEL®.

3. La conexión de la extensión eléctrica debe ser reforzada mediante un accesorio («manguito soporte de cable») que evita que las tomas de conexión tengan que soportar el peso de la extensión.
4. El cambio de la toma entregada en el cable eléctrico de alimentación requiere la intervención de un técnico calificado. Toda intervención en el cable de la botonera debe ser reservada a un técnico calificado. Nadie fuera de un técnico de reparación autorizado de TRACTEL® debe realizar ninguna intervención en la caja eléctrica del aparato (salvo el cambio del fusible).

5. Cerciorarse de que la instalación de la obra o del inmueble en el cual está conectado el minifor™ está equipada con dispositivos de seguridad eléctrica reglamentarios tales como un disyuntor diferencial y una conexión a tierra, que protejan al operador, el minifor™ y su equipo.
6. Si el minifor™ es alimentado por un grupo electrógeno, verificar que éste suministra por lo menos la tensión y la potencia de arranque requeridas (6 kVA para el minifor™ monofásico y 8 kVA para el minifor™ trifásico).

### 5.3. Caso de los aparatos de motor trifásico (TR30S/TR50/TR55)

Los aparatos de motor trifásico están equipados con un detector de sentido de fase que impide el funcionamiento en caso de inversión del orden. Si después de la conexión invertida el minifor™ TR30S/TR50/TR55 trifásico no funciona, desconectar la toma de corriente con un destornillador, y girar 180° la huella que se encuentra dentro de la toma macho para restablecer el orden correcto de las fases (ver la Fig. 14).

### 5.4. Colocación del cable de elevación en el aparato

**NOTA:** Se recomienda ponerse guantes para manipular el cable.

- Es indispensable que el cable esté totalmente desenrollado y destorcido a lo largo de toda su longitud antes de su montaje en el aparato.
- Engrasar el cable de elevación para facilitar su introducción en el aparato.
- Verificar que el tope de fin de carrera alto está introducido en el cable de elevación (muelle hacia el aparato) del lado del gancho de cable.
- Conectar el cable de alimentación en la toma de corriente.
- **Introducir** el extremo libre del **cable de elevación** (punta soldada y redondeada) en el aparato a través del **orificio de introducción cuyo emplazamiento está marcado por una flecha** en el cárter.

**N.B.:** Procurar nunca introducir el cable en el otro orificio dado que está reservado exclusivamente a la salida del cable. **Nunca fijar una carga en el ramal fojo del cable.**

- Pulsar el botón "Subida" de la botonera empujando el cable de modo que se enganche en la polea que se encuentra dentro del aparato. (Para los aparatos de corriente trifásica, ver el 5.3).
- Cuando el cable vuelve a salir del aparato, prolongar el movimiento para obtener una longitud de cable que sobresalga aproximadamente un metro.
- Hacer pasar por el extremo libre del cable (1) el tope de fin de carrera bajo, de modo que el extremo del

muelle esté cerca del aparato (2) y atornillar el tornillo que se encuentra en el anillo de tope (3) mediante la llave ALLEN (4). Debe haber **por lo menos un metro de cable entre este anillo y la extremidad del cable.**

- Verificar que el dispositivo de tope no puede resbalar sobre el cable. (Fig. 15).

**N.B.:** Se podría querer limitar más la carrera de la carga hacia abajo. En ese caso se hará correr la longitud de cable correspondiente antes de fijar el anillo de tope.

Del otro lado, fijar el anillo del tope de fin de carrera alto según la altura a la cual se desea eventualmente limitar la carrera de la carga hacia arriba. Fijar y verificar empleando el mismo procedimiento que para el tope de fin de carrera bajo.

- Verificar el buen funcionamiento de las palancas de fin de carrera del aparato y de los demás dispositivos de seguridad tal como está indicado en el capítulo 18.

**La presencia de un tope de fin de carrera aproximadamente un metro antes del extremo libre del cable de elevación y de otro tope de fin de carrera del lado del gancho de cable, ambos firme y convenientemente fijados, es una exigencia imperativa de seguridad.**

### 5.5. Topes de fin de carrera y poleas

Si el montaje de la instalación incluye una o varias poleas de desvío, se procurará utilizar únicamente poleas del diámetro adecuado. En este caso, se deberá colocar los topes de fin de carrera alto (1) y bajo (2) en el cable de modo que ni el tope de fin de carrera alto ni la carga puedan entrar en contacto con una polea. El tope de fin de carrera alto deberá por supuesto estar fijado entre el aparato y la polea que está más cerca en el recorrido del cable. (Ver la Fig. 13).



#### IMPORTANTE

Verificar la compatibilidad de la resistencia de los puntos de anclaje y de las poleas con los esfuerzos que le son aplicados.

### 5.6. Verificación bajo carga

Con la carga enganchada, levantarla a poca altura y verificar el buen funcionamiento de los mandos "Subida" y "Bajada", así como del mando "Parada de emergencia".

Si estas funciones operan normalmente, se puede entonces proceder a las maniobras. De lo contrario, devolver el aparato a un técnico de reparación autorizado de la red TRACTEL® (Ver también el Capítulo. 5.3).

## 6. Maniobra

La maniobra del aparato se realiza pulsando uno de los dos mandos "Subida" o "Bajada" de la botonera (Fig. 2). Esta siempre debe ser mantenida en posición vertical de donde cuelga de su cable de mando. No colocarla en posición invertida (es decir con la entrada del cable eléctrico hacia abajo), ya que esto podría ocasionar errores de maniobra.

En cuanto se deja de pulsar el botón "Subida" o "Bajada", el movimiento se detiene. En el caso de una operación de elevación de gran altura con un minifor<sup>TM</sup>, se recomienda respetar un tiempo de parada de aproximadamente 15 minutos cada cincuenta metros de marcha para evitar un calentamiento excesivo.

Todas las máquinas están protegidas contra los calentamientos excesivos mediante una sonda térmica insertada en el devanado. Esta sonda impide el funcionamiento interrumpiendo el circuito de mando mientras la temperatura del devanado no haya regresado a un valor aceptable.

**N.B.:** Un calentamiento del cárter hasta 80° es normal.

Un botón de parada de emergencia rojo permite parar el movimiento en caso de mal funcionamiento de los botones "Subida" o "Bajada". (Ver el capítulo 8: Dispositivos de seguridad).

La maniobra de subida o bajada debe estar acompañada de las siguientes precauciones:

- Evitar que la carga se balancee o gire,
- Mantener alejado todo obstáculo del cable de elevación o de la carga,
- Cerciorarse de que el ramal flojo está libre en toda su longitud,
- No dejar que el ramal cargado se afloje si la carga no está apoyada de manera estable sobre un soporte suficientemente resistente,
- Evitar accionar la botonera por impulsos sucesivos (teclado).



### IMPORTANTE

Es indispensable mantener el ramal flojo alejado del ramal cargado y, a fortiori, de los dos ramales cargados en el montaje con polea, de modo que este ramal flojo no se enrede con los otros ramales.

**Por las mismas razones, es indispensable mantener este ramal flojo alejado de todo obstáculo que pudiese retenerlo, y evitar que se enrede en sí mismo, lo que podría resultar sobre todo en impedir que el tope de fin de carrera bajo que está fijado en éste alcance los dispositivos de parada (palancas**

**de fin de carrera) del aparato. Un bloqueo del ramal flojo durante su movimiento de subida (Bajada de la carga) puede ocasionar la rotura del cable y la caída de la carga.**

**Una deformación del cable también puede ocasionar el bloqueo en el aparato o al contacto con el aparato de la parte deformada. Sea cual sea la causa del bloqueo del cable en su movimiento, interrumpir inmediatamente la maniobra sin insistir. Ver el capítulo 13.**

**Los topes de fin de carrera no son dispositivos de maniobra sino dispositivos de seguridad. Por lo tanto no deben ser utilizados voluntariamente ya que sirven únicamente de dispositivos de parada en caso de rebasamiento involuntario de la carrera prevista.**

**Nunca estacionarse ni trabajar bajo la carga. Si es necesario, disponer en el suelo una barrera de seguridad alrededor de la zona bajo la carga.**

## 7. Puesta fuera de servicio - almacenamiento

Sólo desconectar el gancho de cable de la carga cuando ésta está apoyada de manera estable sobre un soporte fijo y suficientemente sólido.

El aparato puede permanecer en el puesto siempre que esté protegido de la intemperie y en un lugar seco. Desconectar eléctricamente el aparato cuando no este siendo utilizado.

Mantener el aparato fuera de la intervención de personas no autorizadas a utilizarlo.

Para su almacenamiento, el aparato puede ser conservado en su caja. El cable debe ser retirado del aparato (salvo para los modelos con enrollador) y enrollado en su carrete.

El aparato no nunca debe ser colocado sobre su base cuando el cable está introducido en el aparato, lo que tendría como consecuencia doblar el cable y deteriorarlo.

## 8. Dispositivos de seguridad

Los dispositivos de seguridad con que cuentan los aparatos son los siguientes:

- Motor freno de falta de corriente eléctrica.
- Mando de parada de emergencia en la botonera - Color rojo (ver la Fig. 2).
- Bloqueo mecánico que impide la acción simultánea de los mandos Subida y Bajada.



- Mando de muy baja tensión de 48 V para aparatos trifásicos.
- Palancas de fin de carrera alto y bajo en el aparato, que cooperan con los topes en el cable.
- Trinquetes de seguridad (1) en los ganchos (Fig. 16 y 17).
- Protección eléctrica de la botonera: clase 2.
- Fusible de protección del mando, en la caja eléctrica.
- Limitador de carga eléctrico en minifor™ TR110.

La parada de emergencia se obtiene presionando el botón rojo (Fig. 2). Para permitir un nuevo arranque después de la parada de emergencia hay que desenclavar el botón de parada de emergencia haciéndolo girar en el sentido de las flechas marcadas sobre éste, después de haberse asegurado de que han desaparecido las condiciones de emergencia.

## 9. Cable de elevación

En uno de sus extremos, el cable del minifor™ tiene un gancho de seguridad montado en un lazo del cable equipado con un terminal y engastado en un manguito metálico (ver la Fig. 17). El otro extremo está soldado y esmerilado. Debe ser mantenido soldado, redondeado y sin asperezas (ver la Fig. 18).

Para garantizar la seguridad de empleo de los aparatos minifor™, es indispensable utilizarlos exclusivamente con cable minifor™ diseñado especialmente para estos aparatos, de un diámetro de 6.5 mm.

La utilización de cable deteriorado o no adaptado al aparato constituye el principal riesgo de accidente y de avería. Por lo tanto es necesario vigilar constantemente el buen estado del cable y eliminar inmediatamente todo cable que presente señales de deterioro tales como deformación, plegado o rotura de hilos (Fig. 19). Todo cable cuyo desgaste ha reducido el diámetro nominal en 10 % o que tiene más de 10 hilos cortados en 200 mm de longitud debe ser eliminado. Norma ISO 4309 (Medir como está indicado en la (Fig. 20).

No exponer el cable a una temperatura superior a 100°C ni a la agresión de agentes mecánicos o químicos.

Almacenar el cable enrollado en un carrete protegido de la humedad después de haberlo limpiado y engrasado convenientemente en toda su longitud. No utilizar grasa o aceite que contenga bisulfuro de molibdeno o aditivos con grafito.

## 10. Mantenimiento

El mantenimiento del aparato consiste en supervisar su buen estado, limpiarlo, y hacerlo controlar periódicamente (por lo menos una vez al año) por un

técnico de reparación autorizado de TRACTEL®. El usuario no debe realizar ningún engrase ni lubricación del aparato. (Para el mantenimiento del cable de elevación, ver el capítulo 9). Procurar que el tornillo de fijación del gancho de suspensión del aparato y la tuerca de freno de fijación del asa siempre estén apretados eficazmente. Cambiarlos si es necesario.

Todo deterioro visible del aparato y de su equipo, sobre todo de sus ganchos, del cable de elevación y de los conductores eléctricos, debe ser objeto de una reparación antes de reanudar la utilización.



### IMPORTANTE

La apertura del aparato, salvo para cambiar el fusible en la caja eléctrica, sólo debe ser realizada por un técnico de reparación autorizado de la red TRACTEL®.

## 11. minifor™ con polea (fig. 25.c)

### 11.1. Descripción

Se puede montar un kit de polea minifor™ solo en los modelos minifor™ TR10/TR30/TR30S/TR50/TR110. Este montaje permite duplicar la capacidad (carga máxima de utilización) del aparato (salvo en modelo TR 50 ). En contrapartida, la velocidad disminuye a la mitad.

El minifor™ sólo debe ser acoplado con una polea con el kit de utilización con polea minifor™. No se debe añadir ningún sistema complementario.

El kit de utilización con polea minifor™ comprende (Fig. 21):

- Un dispositivo de enganche del ramal portador.
- Una polea de polipasto con gancho de trinquete en versión estándar (o gancho autobloqueador como opción) equipada con un muelle de fin de carrera alto.
- Un manual de montaje.

Este kit sólo debe ser utilizado para la utilización con un polipasto de un minifor™.

### 11.2. Montaje

El usuario debe observar que, en caso de utilización con una polea, la longitud necesaria de cable es por lo menos el doble de la altura de elevación más alrededor de 2 m, de los cuales un metro de ramal flojo visible.

El muelle de fin de carrera deslizante en la polea de polipasto tiene por objeto reemplazar el tope de fin de carrera alto entregado con el cable. Sin embargo, si se desea limitar la carrera hacia arriba, sigue siendo posible añadir el tope de fin de carrera alto estándar,

que se debe colocar entre la polea y la entrada de cable del aparato marcada por una flecha.



### IMPORTANTE

En caso de montaje de una polea, duplicar la carga máxima de utilización a tomar en cuenta para los cálculos de seguridad.

**NOTA:** Cuidar de montar la polea de polipasto de modo que el muelle de fin de carrera deslizante se encuentre en el cable entre la polea y la entrada del cable del aparato. Ver el folleto de instrucciones del kit de utilización con polea. La figura 25 muestra las diferentes configuraciones del minifor™.

**NOTA:** Habida cuenta de los riesgos de enredo de los ramales del cable de elevación, se desaconseja utilizar el minifor™ para cualquier otra operación que no sea la elevación vertical directa (Fig. 5) cuando está acoplado con una polea.

## 11.3. Maniobra

Durante la maniobra con el sistema de utilización con polea, el operador vigilará especialmente que la carga no gire, para evitar enredar los tres ramales de cable (dos ramales cargados + ramal flojo). Parar inmediatamente el movimiento de la carga si el ramal flojo se enreda con los demás ramales y liberarlo antes de reanudar el movimiento.

Para más detalles sobre el empleo del minifor™ con polea, remitirse al folleto de instrucciones entregado con el kit de utilización con polea minifor™.

## 12. minifor™ especiales

### 12.1. minifor™ TR10/TR30 con enrollador integrado

Los modelos TR10/TR30 pueden ser entregados opcionalmente equipados con un enrollador de cable de retroceso por muelle, provisto de su cable equipado con dos longitudes según el pedido: 20, 27 ó 40m. (fig 25.d).

Este equipo permite suprimir la presencia de un "ramal flojo" de longitud variable.

El conjunto se entrega con los dos topes de fin de carrera alto y bajo montados en el cable. El gancho del cable está provisto de un lastre. Este lastre es indispensable y no debe ser retirado.

El enrollador debe ser montado en las fábricas. El usuario puede devolver a Tractel® un aparato adquirido

anteriormente para que se realice ahí el montaje de este enrollador.

El aparato debe ser colocado y utilizado de modo que su enrollador pueda girar libremente sin rozar contra ningún obstáculo exterior.



### IMPORTANTE

El minifor™ equipado con un enrollador no debe ser utilizado apoyado sobre una plataforma (riesgo de rozamiento).

## 12.2. minifor™ con control remoto por radio HF (Fig. 25.b)

Todos los modelos del minifor™ pueden ser entregados opcionalmente equipados por un dispositivo de control remoto compuesto de un emisor de mando portátil (Fig. 22.a) y un receptor situado en el aparato (Fig. 22.b). El emisor funciona con batería. Este dispositivo permite mandar a distancia la subida, la bajada y la parada del aparato, sin cable de mando. Funciona por transmisión de onda de radio HF codificada.

La codificación de cada aparato puede ser modificada por el usuario, sobre todo para el caso de utilización de varios aparatos con control remoto en el mismo emplazamiento.

Las teclas del emisor y del receptor deben estar en una posición de codificación idéntica. Referirse a los documentos del constructor del control remoto por radio, entregados con el aparato.

Se recomienda encarecidamente maniobrar el minifor™ accionado por radio con la carga siempre a la vista. De lo contrario, se debe tomar medidas adecuadas para excluir los riesgos no controlados que podrían resultar de esto.

**N.B.:** La caja emisora debe ser manipulada y conservada con cuidado dado que puede deteriorarse por golpes.

**NOTA:** Si no hay modificación de la codificación, toda manipulación del emisor ocasionará la puesta en movimiento idéntica y casi simultánea de todos los aparatos con radiocontrol que se encuentran en el mismo emplazamiento dentro del alcance de mando.

**NOTA:** Cuando el transmisor está orientado hacia la parte frontal del receptor, el alcance del mando radio es de hasta 500 m en espacios abiertos.

Este alcance puede no obstante variar en otra situación, debido especialmente a:

– la presencia de obstáculos,

- la existencia de perturbaciones electromagnéticas,
- ciertas condiciones atmosféricas.

En caso de dificultades o utilización particular, consultar a la red Tractel®.

**NOTA:** Durante la maniobra, hay que tomar en cuenta un ligero tiempo de reacción del sistema. La maniobra de varios aparatos desde un mismo emisor no permite por lo tanto una sincronización rigurosa.

Este dispositivo de control remoto está autorizado en Francia por la autoridad de regulación de las comunicaciones (ART) sin obligación de licencia individual. No se debe realizar ninguna modificación a este dispositivo de control remoto.

La utilización del minifor™ con control remoto fuera de Francia está sujeta a una verificación de compatibilidad con la reglamentación local de las ondas de radio.

Los minifor™ telecontrolados no tienen botonera conectada por cable de mando (opción a pedido).

### 13. Contraindicaciones de empleo

La utilización de los aparatos minifor™ conforme a las indicaciones del presente folleto proporciona todas las garantías de seguridad. Sin embargo resulta útil advertir al operador contra las manipulaciones erróneas siguientes:

#### ESTÁ PROHIBIDO:

- Utilizar un aparato minifor™, incluso ocasionalmente, para la elevación de personas,
- Utilizar un aparato minifor™ para otras operaciones que no sean aquellas para las cuales está destinado o según esquemas de montaje que no sean aquellos descritos en el presente folleto,
- Utilizar un aparato por encima de su carga máxima de utilización,
- Proceder a la colocación del aparato en condiciones peligrosas para el operador,
- Amarrar la carga al gancho del aparato y el gancho de cable al punto fijo,
- Amarrar el aparato por su asa,
- Poner en servicio el aparato sin verificar la presencia correcta de los dos topes de fin de carrera,
- Conectar el aparato en una toma sin cerciorarse de la conformidad en el aparato de la corriente suministrada y de la presencia en el circuito de los dispositivos de seguridad eléctrica reglamentarios,
- Fijar el aparato en una estructura (salvo en el caso descrito en el capítulo 4.2) o obstruir su alineamiento automático con el cable,
- Acoplar un aparato con una polea por medios que no sean el kit de utilización con polea minifor™,

- Desplazar una carga en el suelo mediante un aparato que no se encuentra alineado con la dirección de desplazamiento de la carga,
- Forzar la maniobra en caso de bloqueo del cable en o contra el aparato, y maniobrar un aparato con alimentación trifásica con mandos invertidos con respecto al sentido mostrado,
- Aplicar una carga en el ramal flojo del cable de elevación,
- Utilizar en apoyo un aparato con juegos de polea,
- Utilizar el cable de elevación como medio de eslingar la carga,
- Dejar que la carga se balancee debajo del aparato,
- Estacionarse o desplazarse debajo de la carga.

### 14. Marcado

Ejemplos de marcado según la figura 26

1. Logo de certificación.
2. Tipo de aparato
3. Carga de rotura mínima del cable
4. Carga máxima de utilización
5. Polea acústica garantizada
6. Tensión del motor
7. Velocidad de subida y de bajada
8. Referirse al manual de instrucciones de empleo y mantenimiento
9. Año de fabricación
10. Potencia del motor
11. N° de serie
12. Frecuencia del motor
13. Diámetro del cable
14. Nombre y dirección del fabricante
15. Número de fases
16. Clasificación F.E.M.

## 15. Anomalías de funcionamiento

Anomalia	Causa posible	Acción
1 - Bloqueo del cable	<ul style="list-style-type: none"> <li>• Deformación del cable en el interior o en contacto con el aparato.</li> <li>• Enganche del ramal flojo alrededor de otro ramal o un obstáculo.</li> <li>• Enganche de la carga durante la subida.</li> </ul>	<ul style="list-style-type: none"> <li>• Parar inmediatamente la maniobra sin insistir.</li> <li>• Volver a tomar la carga por otro medio que ofrezca la garantías reglamentarias de seguridad y liberar el aparato sin carga. Tratar de sacar el cable del aparato. Si esto es imposible, enviar el aparato y su cable a un técnico de reparación autorizado de TRACTEL®.</li> <li>• Si aparece una anomalía en el cable, eliminarlo.</li> <li>• Liberar imperativamente el ramal flojo y verificar el cable antes de reanudar el movimiento.</li> <li>• Soltar la carga y verificar el cable antes de reanudar el movimiento.</li> </ul>
2 - Ausencia de rotación del motor	<ul style="list-style-type: none"> <li>• Parada de emergencia enclavada.</li> <li>• Palanca de fin de carrera en el aparato accionada.</li> <li>• Fusible quemado.</li> <li>• Palanca de fin de carrera bloqueada o rota.</li> <li>• Alimentación cortada, toma o conector defectuosos.</li> <li>• Contactores o botonera defectuosos.</li> <li>• El motor, después de un uso intensivo, está demasiado caliente y la sonda térmica se ha disparado (motor monofásico de 230 V).</li> <li>• Fases invertidas (motor trifásico).</li> </ul>	<ul style="list-style-type: none"> <li>• Desenclavar el botón de parada de emergencia (rotación).</li> <li>• Si la parada es provocada por la intervención del tope de fin de carrera en la palanca, maniobrar en el sentido inverso.</li> <li>• Cambiar el fusible (fusible de calibre 2A de protección del mando).</li> <li>• Enviar el aparato a un técnico de reparación autorizado de TRACTEL®.</li> <li>• Hacer reparar por un electricista.</li> <li>• Enviar el aparato a un técnico de reparación autorizado de TRACTEL®.</li> <li>• Esperar el enfriamiento.</li> <li>• Ver el capítulo 5.3.</li> </ul>
3 - Rotación del motor en un solo sentido	<ul style="list-style-type: none"> <li>• Fin de carrera dañado.</li> <li>• Contacto o botonera defectuosos.</li> <li>• Bobina de contactor quemada.</li> </ul>	<ul style="list-style-type: none"> <li>• Enviar el aparato a un técnico de reparación autorizado de TRACTEL®.</li> </ul>

ES

Anomalia	Causa posible	Acción
4 - Rotación débil del motor con «vibración»	<ul style="list-style-type: none"> <li>• Red de alimentación defectuosa.</li> <li>• Fuerte caída de tensión.</li> <li>• Mantenimiento cerrado del freno electromagnético.</li> <li>• Falta de par en el arranque (condensador permanente defectuoso o corte de un arrollamiento del devanado motor).</li> <li>• Reductor o freno defectuosos.</li> <li>• Sobrecarga.</li> </ul>	<ul style="list-style-type: none"> <li>• Verificar la tensión de alimentación.</li> <li>• Enviar el aparato a un técnico de reparación autorizado de TRACTEL® si la tensión de alimentación o la sobrecarga no es la causa.</li>   <li>• Reducir la carga o montar un polipasto.</li> </ul>
5 - Imposibilidad de introducir el cable	<ul style="list-style-type: none"> <li>• Cable de diámetro excesivo.</li> <li>• Punta de cable defectuosa.</li>   <li>• Deformación del cable.</li>   <li>• Para un modelo trifásico, mandos invertidos.</li>   <li>• Piezas de guiado interno deterioradas.</li> </ul>	<ul style="list-style-type: none"> <li>• Verificar el diámetro. Reemplazar por un cable de diámetro correcto.</li> <li>• Si es necesario, volver a soldar con un soplete la punta del cable. Esmerilar y redondear.</li> <li>• Suprimir la parte deformada. Cortar, volver a soldar y esmerilar el extremo cortado.</li> <li>• Accionar el botón «Bajada». Si el cable se introduce de manera normal, accionar el botón «Subida» para liberarlo e invertir las fases en la toma acondicionada para este efecto.</li> <li>• En ausencia de las causas arriba mencionadas, enviar el Minifor™ a un técnico de reparación autorizado de TRACTEL®.</li> </ul>
6 - El cable se desliza o patina durante la subida	<ul style="list-style-type: none"> <li>• Cable de diámetro demasiado pequeño.</li> <li>• Desgaste del cable superior al 10% del diámetro nominal.</li>   <li>• Fuerte desgaste del sistema de apriete.</li> </ul>	<ul style="list-style-type: none"> <li>• Verificar el diámetro del cable como está indicado en el folleto. Si resulta que el cable no está conforme o está gastado, eliminarlo y tomar un cable nuevo.</li> <li>• Si el cable está normal, enviar el Minifor™ a un técnico de reparación autorizado de TRACTEL®.</li> </ul>
7 - La bajada de la carga ya no está frenada: el cable se desliza a pesar de la parada del motor	<ul style="list-style-type: none"> <li>• Freno desajustado.</li> <li>• Guarnición de freno gastada.</li> <li>• Guarnición de freno embebida en aceite o grasa.</li> <li>• Sobrecarga.</li> </ul>	<ul style="list-style-type: none"> <li>• Ajustar el entrehierro.</li> <li>• Enviar el aparato a un técnico de reparación autorizado de TRACTEL®.</li> </ul>
8 - El motor se detiene durante la maniobra	<ul style="list-style-type: none"> <li>• El motor, después de un uso intensivo, está demasiado caliente y la sonda térmica se ha disparado.</li> </ul>	<ul style="list-style-type: none"> <li>• Esperar el enfriamiento.</li> </ul>

Indice	Pagina
RACCOMANDAZIONE IMPORTANTI . 70	
1. Presentazione .....	71
2. Caratteristiche funzionali .....	72
3. Accessori e pezzi di ricambio .....	73
4. Fissaggio - schema di montaggio.....	73
5. Messa in funzione .....	74
6. Manovra .....	76
7. Messa fuori esercizio - stoccaggio ...	76
8. Dispositivi di sicurezza .....	76
9. Cavo di sollevamento .....	77
10. Manutenzione .....	77
11. minifor™ con puleggia scanalata (fig. 25.C).....	77
12. minifor™ speciali .....	78
13. Controindicazioni d'impiego .....	79
14. Marcature .....	79
15. Anomalie di funzionamento .....	80

Al fine di garantire il costante miglioramento dei propri prodotti la TRACTEL® Italiana, si riserva di eseguire ogni modifica che riterrà utile, al materiale descritto in questo libretto.

Le società del Gruppo TRACTEL®, come pure i propri rivenditori autorizzati, Vi forniranno su semplice richiesta la documentazione riguardante la gamma degli altri prodotti TRACTEL®: apparecchi per sollevamento e trazione, materiale di accesso per cantieri e facciate, dispositivi di sicurezza, indicatori elettronici di carico, accessori del sollevamento come carrucole, ganci, imbracature, ancoraggi...

La rete TRACTEL® è in grado di assicurare un servizio post-vendita e di manutenzione periodica. Per qualsiasi quesito o necessità tecnica non esitate a rivolgervi alla TRACTEL® ITALIANA.

## RACCOMANDAZIONE IMPORTANTI

1. Prima di installare e utilizzare questo apparecchio, è indispensabile, per la sicurezza d'uso e per la sua efficienza, di prendere conoscenza del presente manuale e di conformarsi alle prescrizioni in esso incluse. Un esemplare di questo manuale deve essere conservato a disposizione di ogni operatore. Degli esemplari supplementari possono essere forniti a richiesta.
2. Non utilizzare questo apparecchio se una delle targhette fissate sull'apparecchio, o se una delle loro iscrizioni, come indicato alla sezione 14 Marcature, è assente o illeggibile. Delle targhette identiche possono essere fornite a richiesta di Tractel® e dovranno essere fissate prima di continuare l'utilizzo dell'apparecchio.
3. Assicuratevi che ogni persona a chi affidate l'utilizzo di questo apparecchio ne conosce l'uso ed è atto ad assumere le esigenze di sicurezza che tale uso implica per il relativo impiego. Il presente manuale deve essere messo a disposizione.
4. La messa in opera di questo apparecchio deve essere conforme alla regolamentazione e alle norme di sicurezza applicabili relative all'installazione, l'utilizzo, la manutenzione e il controllo degli apparecchi di sollevamento di materiale.
5. Per ogni utilizzo professionale, questo apparecchio deve essere piazzato sotto la responsabilità di una persona che conosce la regolamentazione applicabile e avendo autorità per assicurarne l'applicazione se lei stessa non è l'operatore.
6. Ogni persona che utilizza questo apparecchio per la prima volta deve verificare, fuori rischio, prima di applicargli un carico, e su una piccola altezza di sollevamento, che ne ha capito bene tutte le condizioni di sicurezza e d'efficienza del suo uso.
7. La messa in posto e la messa in funzionamento di questo apparecchio devono essere eseguite in condizioni che assicurino la sicurezza dell'installatore conformemente alla regolamentazione applicabile alla sua categoria.
8. Prima di ogni utilizzo dell'apparecchio, verificarne il buon stato apparente anziché quello degli accessori utilizzati con l'apparecchio.
9. Tractel® esclude la sua responsabilità per il funzionamento di questo apparecchio in una configurazione di montaggio non descritta nel presente manuale.
10. L'apparecchio deve essere agganciato ad un punto d'ancoraggio e ad una struttura sufficientemente resistenti per sopportare il carico massimo d'utilizzo indicato nel presente manuale. In caso d'utilizzo di più apparecchi, la resistenza della struttura deve essere funzione del numero di apparecchi, a seconda del loro carico d'utilizzo massimo.

11. Ogni modifica dell'apparecchio fuori dal controllo di Tractel®, o soppressione di pezzi che ne fanno parte, esonera Tractel® della sua responsabilità.
12. Tractel® garantisce il funzionamento dell'apparecchio soltanto se esso è munito di un cavo Tractel® originale, a seconda delle specifiche indicate nel presente manuale.
13. Ogni operazione di smontaggio di questo apparecchio non descritta nel presente manuale, o ogni riparazione eseguita fuori dal controllo di Tractel® esonera Tractel® della sua responsabilità, specialmente in caso di sostituzioni di pezzi originali con ricambi di altra provenienza.
14. Ogni intervento sul cavo per modificarlo o ripararlo fuori dal controllo di Tractel® esclude la responsabilità di Tractel® per i seguiti di questo intervento.
15. Questo apparecchio non deve mai essere utilizzato per operazioni altre che quelle descritte nel presente manuale. Non deve mai essere utilizzato per un carico superiore al carico massimo d'utilizzo indicato sull'apparecchio. Non deve mai essere utilizzato in atmosfera esplosiva.
16. È vietato utilizzare questo apparecchio per il sollevamento o lo spostamento di persone.
17. Se un carico deve essere sollevato da più apparecchi, la loro installazione deve essere preceduta da uno studio tecnico realizzato da un tecnico competente, poi condotta conformemente a questo studio, particolarmente per assicurare la ripartizione costante del carico in condizioni corrette. Tractel® esclude ogni responsabilità nel caso d'utilizzo dell'apparecchio in combinazione con altri apparecchi di sollevamento di altre origine.
18. Durante le operazioni di sollevamento, in salita e in discesa, l'utilizzatore deve rimanere costantemente in vista del carico.
19. Non circolare o fermarsi mai sotto il carico. Segnalare e vietare l'accesso alla zona situata sotto il carico.
20. Il controllo permanente del buon stato apparente dell'apparecchio e della sua buona manutenzione fanno parte delle misure necessarie sicurezza alla sua sicurezza d'uso. L'apparecchio deve essere verificato periodicamente da un riparatore autorizzato da Tractel® come indicato nel presente manuale.
21. Il buon stato del cavo è una condizione essenziale di sicurezza e di buon funzionamento dell'apparecchio. Un controllo del cavo deve essere eseguito ad ogni utilizzo come indicato al capitolo "cavo". Ogni cavo che presenta dei segni di danneggiamento deve essere definitivamente messo al rifiuto.
22. Quando l'apparecchio non è utilizzato, esso deve essere posto fuori dalla portata delle persone non autorizzate ad utilizzarlo.
23. L'utilizzatore deve assicurarsi durante l'uso che il cavo sia costantemente teso dal carico, e particolarmente che questo non sia neutralizzato temporaneamente da un ostacolo in discesa, situazione che può indurre un rischio di rottura del cavo quando il carico si libera dal suo ostacolo.
24. In caso di arresto definitivo di utilizzazione, mettere l'apparecchio al rifiuto in condizioni che ne impediscano il suo utilizzo. Rispettare la regolamentazione relativa alla protezione dell'ambiente.



### IMPORTANTE

Per ogni utilizzo professionale, specialmente se dovete affidare questo apparecchio ad un personale salariato o simile, conformatevi alla regolamentazione del lavoro applicabile al montaggio, alla manutenzione e all'utilizzo di questo apparecchio, particolarmente per quanto riguarda le verifiche richieste: verifica alla prima messa in servizio dall'utilizzatore, verifiche periodiche anziché dopo smontaggio o riparazione.

## 1. Presentazione

### 1.1. Principio di funzionamento

Il minifor™ è un argano paranco elettrico portatile, di sollevamento e di trazione, a cavo passante, funzionante tramite un sistema di trascinamento auto-serrante che consente una corsa illimitata del cavo di sollevamento.

Il sistema di trascinamento è costituito da una puleggia a gola con profilo speciale, in cui il cavo è serrato per effetto del carico da due rulli articolati.

Una molla di pre-serraggio, che agisce su questi rulli, garantisce fuori carico l'aderenza del cavo sulla puleggia. Oltre all'azione della molla di pre-serraggio, il serraggio del cavo sulla puleggia di trascinamento è proporzionale al carico.

Questa concezione tecnica garantisce una grande sicurezza a condizione che vengano rispettate le istruzioni fornite nel presente manuale al capitolo "Fissaggio – schemi di montaggio".

L'apparecchio minifor™ deve essere utilizzato esclusivamente con il cavo di sollevamento speciale minifor™ di diametro indicato (vedi caratteristiche) per garantire la completa sicurezza e l'efficacia del suo impiego.

TRACTEL® declina qualunque responsabilità per le conseguenze derivanti dall'impiego dell'apparecchio con un cavo diverso dal cavo minifor™.

Ogni apparecchio minifor™ è soggetto a un collaudo, prima della spedizione, al 110 % del carico massimo di utilizzo.

## 1.2. Composizione di una fornitura standard minifor™

Ogni minifor™, a seconda del modello, viene fornito in una scatola in cartone o in un cofanetto metallico contenente:

1. L'apparecchio con la pulsantiera di comando, munito dell'impugnatura di trasporto, del gancio di sicurezza e di una prolunga di alimentazione con presa maschio/femmina.
2. Un sacchetto di plastica contenente:
  - un arresto di fine corsa bassa su molla,
  - una chiave maschio esagonale da 3 per il fissaggio degli arresti di fine corsa sul cavo.
3. Un sacchetto di plastica contenente:
  - il presente manuale d'istruzioni
  - la dichiarazione CE di conformità
  - Se necessari, i documenti riguardanti il radio comando.
4. A seconda dell'opzione di comando, il cavo di sollevamento della lunghezza prevista montato su bobina, dotato di una gancio di sicurezza e di un arresto di fine corsa alta montato su molla.

## 1.3. Descrizione e marcatura

La figura 1 indica un minifor™ standard nella sua posizione di utilizzo più corrente e in ordine di marcia, sospeso a una pinza di aggancio su trave. L'apparecchio standard viene fornito con un cavo elettrico di comando da 2.50 m con pulsantiera di comando sospesa (Fig. 2) e un cavo elettrico di alimentazione da 0.50 m. Può essere fornito su richiesta con diverse lunghezze di cavo di comando e di alimentazione. Ogni apparecchio porta un numero di serie situato sulla parte superiore del carter dello stesso. Questo numero dovrà essere riportato integralmente (lettera compresa) per qualsiasi richiesta di pezzi di ricambio o di riparazioni.


Accertarsi costantemente che tutte le etichette siano ben posizionate e leggibili.

La lunghezza del cavo di sollevamento è segnata sul manicotto dell'estremità passata nel gancio. Si consiglia di verificare, se necessario, questa lunghezza, in quanto il cavo può essere stato accorciato posteriormente alla sua consegna. Tutti i minifor™ sono consegnati con un pulsantiera di comando (Fig. 2) a doppio isolamento IP 65 a 3 comandi: Salita, Discesa e Arresto d'emergenza.

**NOTA:** L'indicazione "Salita" o "Discesa" è rappresentata sul pulsante di comando corrispondente, da una freccia orientata nel senso di movimento comandato, tenendo la pulsantiera nella sua posizione sospesa (Fig. 2).

## 2. Caratteristiche funzionali

Su richiesta: altre tensioni e frequenze.

	TR10	TR30	TR30S		TR50		TR55		TR110
	1~	1~	1~	3~	1~	3~	1~	3~	1~
Numero di fasi	1~	1~	1~	3~	1~	3~	1~	3~	1~
C.M.U. standard/con puleggia ausiliare (kg)	100 / 200	300 / 600	300 / 600		500 / 950		550 / -		550 / 1100
Velocità standard/con puleggia ausiliare (m/min)	15 / 7,5	5 / 2,5	13 / 6,5		7 / 3,5		7 / -		7 / 3,5
Classificazione FEM 9.511/ISO	-	-	1Bm / M3	1Bm / M3	1Bm / M3	1Bm / M3	1Bm / M3	1Bm / M3	1Bm / M3
Potenza (kW)	0,25		1,1		1,1		1,1		1,1
Intensità all'avvio (A)	25,5 / 17,3		54 / 16	19 / 11	54 / 16	19 / 11	54 / 16	19 / 11	16
Intensità nominale (A)	7,5 / 3,9		16 / 8	5,9 / 3,4	16 / 8	5,9 / 3,4	16 / 8	5,9 / 3,4	8
Tensione di alimentazione (V)	115 / 230		115 / 230	230 / 400	115 / 230	230 / 400	230	400	230
Tensione di controllo (V)	115 / 230		115 / 230	230 / 400	115 / 230	230 / 400	230	400	230
Frequenza (Hz)	50		50		50		50		50
Diametro del cavo d'acciaio (mm)	6,5		6,5		6,5		6,5		6,5
Peso del cavo al metro (kg)	0,17		0,17		0,17		0,17		0,17
Peso dell'apparecchio standard (senza cavo) (kg)	21		33	33	33	33	33	33	43
Peso dell'avvolgitore con 20 mt di cavo (kg)	+23		-	-	-	-	-	-	-
Peso dell'avvolgitore con 27 mt di cavo (kg)	+28		-	-	-	-	-	-	-
Peso dell'avvolgitore con 40 mt di cavo (kg)	+30		-	-	-	-	-	-	-
Kit di flangiatura (kg)	+5		+8		+8		-		+8
 L <sub>WA</sub> dB(A)	86	85	88		90		90		90



### 3. Accessori e pezzi di ricambio

I seguenti pezzi ed accessori possono essere approvigionati e montati dall'utilizzatore:

- Arresto di fine corsa alta e arresto di fine corsa bassa (intercambiabili).
- Cavo di sollevamento munito di gancio ad occhiello.
- Fusibile.
- Presa di alimentazione (elettricista).

### 4. Fissaggio - schema di montaggio

Verificare che il punto di aggancio presenti una resistenza sufficiente per lo sforzo da applicare.

Se il fissaggio dell'apparecchio deve essere fatto in un luogo a rischio per l'operatore, dovranno essere prese le precauzioni di sicurezza previste dalla normativa sul lavoro in modo da escludere ogni possibile rischio durante l'operazione. Può essere preferibile in questo caso posizionare il cavo di sollevamento nell'apparecchio prima dell'operazione di fissaggio (vedi capitolo 5).

L'apparecchio può essere utilizzato in sospensione o posato sulla sua base d'appoggio.

#### 4.1. Fissaggio dell'apparecchio in sospensione

E' il montaggio più semplice e più usato. L'aggancio dell'apparecchio avviene esclusivamente tramite il suo gancio (salvo 4.2 qui di seguito) e mai tramite l'impugnatura. Non si deve assolutamente agganciare il gancio del cavo al punto fisso per fare lavorare l'apparecchio spostandosi sul cavo (Fig. 3 montaggio obbligatorio, Fig. 4 montaggio vietato).

Il gancio dell'apparecchio deve essere posizionato nell'organo del punto di fissaggio, in modo che questo organo si piazzi al fondo del gancio. La linguetta di sicurezza del gancio deve chiudersi completamente. Se l'articolazione del gancio dell'apparecchio con l'organo di fissaggio avviene con difficoltà, è indispensabile interporre un'imbracatura di capacità idonea.

#### 4.2. Fissaggio dell'apparecchio in appoggio sulla sua base

Questo tipo di installazione richiede precauzioni particolari:

1. La superficie di appoggio sulla quale è posato l'apparecchio deve essere piana ed orizzontale.
2. Questa superficie deve prevedere un foro per il passaggio delle due estremità del cavo, la cui configurazione e le cui dimensioni sono indicate

alla figura 24, che indica il lato di appoggio dell'apparecchio e il suo posizionamento sul foro stesso.

3. L'apparecchio deve essere posizionato in modo che il cavo di sollevamento sotto carico non sfregi contro le pareti dell'apertura, ed in modo che gli arresti di fine corsa fissati sul cavo possano venire a contatto con le leve di fine corsa dell'apparecchio.
4. L'apparecchio deve essere sistemato in modo da non subire nessuno spostamento sulla sua faccia d'appoggio.
5. La piattaforma sulla quale l'apparecchio è appoggiato deve avere la stabilità e la resistenza richieste per la sicurezza dell'operazione.
6. Il carico deve essere in sospensione libera (Fig. 5) o collegato all'apparecchio per mezzo di una puleggia di rinvio situata tassativamente e rigorosamente all'apporto dell'apparecchio (Fig. 6).



#### IMPORTANTE

Con questo montaggio, non sollevare mai il carico senza averlo preventivamente sistemato all'apporto dell'apparecchio, salvo in caso di puleggia di rinvio.

#### 4.3. Aggancio del carico

L'aggancio del carico deve essere obbligatoriamente effettuato tramite il gancio del cavo di sollevamento e mai col gancio dell'apparecchio.

L'aggancio del carico deve essere effettuato tramite un'imbracatura di capacità, di tipo e di dimensioni idonee all'oggetto da manipolare. E' vietato utilizzare il cavo dell'apparecchio come imbracatura, passandolo attorno ad un oggetto per riprenderlo attraverso il suo gancio (Fig. 7 imbracatura corretta e Fig. 8 imbracatura vietata).

#### 4.4. Schemi di montaggio

##### 4.4.1. Apparecchio in sospensione, carico sospeso direttamente

E' il caso più semplice (Fig. 7). La precauzione principale è quella di evitare la presenza di qualsiasi ostacolo contro cui il carico o il cavo di sollevamento potrebbero appoggiarsi lateralmente, o contro cui il carico potrebbe andare a sbattere.

##### 4.4.2. Apparecchio in sospensione, sollevamento obliquo diretto

Questo caso richiede la presenza di un piano inclinato stabile sul quale issare e mantenere il carico (Fig. 9).

#### 4.4.3. Apparecchio in sospensione, trazione o sollevamento indiretto

Questo caso richiede una puleggia di rinvio agganciata ad un punto fisso (Fig. 11). Vedi anche Cap. 5.5.

#### 4.4.4. Apparecchio agganciato orizzontalmente per trazione diretta

**E' indispensabile per la sicurezza dell'operazione** che, in nessun momento, quando sono sotto tensione, né l'apparecchio né il cavo possano appoggiarsi lateralmente su un qualsiasi oggetto. (Fig. 10).

Accertarsi del **perfetto allineamento dell'apparecchio sul cavo** con un aggancio liberamente articolato dello stesso, per esempio tramite un'imbracatura.

**Non fissare mai rigidamente l'apparecchio** su una struttura di aggancio. Garantire la libertà di movimento dei diversi tratti del cavo evitando qualsiasi sfregamento.

**N.B.:** Se viene interposta una puleggia di rinvio per issare il carico su un piano inclinato, essendo il carico trainante, si verifica il caso del sollevamento (caso 4.4.3).

#### 4.4.5. Apparecchio fissato a livello del suolo

Sollevamento tramite puleggia di rinvio. Stesse raccomandazioni che per il caso 4.4.4. La resistenza della puleggia e quella del suo aggancio devono essere calcolate per un doppio sforzo del carico. (Fig. 12). Vedi anche Cap. 5.5.

#### 4.4.6. Apparecchio in appoggio, carico sospeso liberamente

Seguire rigorosamente le istruzioni del capitolo 4.2. e del capitolo 5.5. porre particolare attenzione per evitare qualsiasi ondeggiamento del carico. Attenersi alla Fig. 5.

#### 4.4.7. Apparecchio in appoggio, carico non sospeso liberamente

Questo caso di utilizzo richiede il ricorso ad una puleggia di rinvio fissata all'appiombò dell'apparecchio (Fig. 6). Vedi capitolo 4.2 e capitolo 5.5.

#### 4.4.8. Puleggia scanalata

Tutte le raccomandazioni sopra indicate si applicano in modo particolare in caso di utilizzo di una puleggia scanalata. In questo caso, la messa in tensione deve essere effettuata con particolare attenzione (vedi capitolo 11).

**IMPORTANTE:** il minifor™ TR55 non può essere inserito in una puleggia scanalata dato che non è

dotato di un limitatore di carico così come richiesto dalla Direttiva Europea 2006/42/CE per il sollevamento di carichi superiori ai 1000 Kg

**N.B.:** In caso di utilizzo di pulegge di rinvio, l'utilizzatore avrà cura di posizionare gli arresti di fine corsa come indicato al capitolo 5.4 (Fig. 13).

## 5. Messa in funzione

### 5.1. Verifiche preliminari

- Carico o sforzo, non superiore al carico massimo di utilizzo dell'apparecchio,
- Le pulegge di rinvio aumentano lo sforzo da produrre per sollevare un carico in proporzioni non trascurabili,
- Resistenza del punto fisso sufficiente per applicare in completa sicurezza uno sforzo uguale al carico massimo di utilizzo (o al doppio di questo carico nel caso 4.4.5),
- Aggancio corretto,
- Cavo di sollevamento in buono stato,
- Lunghezza del cavo di sollevamento sufficiente per il tragitto del carico. Prevedere un supplemento di almeno 1.50 m per il passaggio dentro l'apparecchio e di una lunghezza sufficiente del tratto libero apparente.
- Lunghezza del cavo elettrico di comando sufficiente per collegare l'apparecchio alla postazione prevista per l'operatore in sufficienti condizioni di sicurezza.

### 5.2. Raccomandazioni in campo elettrico

1. Prima di ogni messa in funzione su un nuovo collegamento, fare riferimento alla targhetta di identificazione del motore.  
Informarsi sulle caratteristiche della corrente fornita: monofase o trifase, tensione, amperaggio disponibile. Verificare che la corrente fornita sia compatibile con le caratteristiche indicate sulla di identificazione del motore. L'intensità disponibile deve essere uguale o superiore a quella indicata sulla targhetta del motore.
2. In caso di utilizzo di una prolunga di alimentazione, scegliere una prolunga che abbia le seguenti caratteristiche:
  - **monofase** 230 V.: 3 fili (1 fase, 1 neutro, 1 terra) di sezione 2,5 mm<sup>2</sup>.
  - **trifase** 400 V.: 4 fili (3 fasi, 1 terra) di sezione 2,5 mm<sup>2</sup>.Questa caratteristiche sono valide fino a 50 m di lunghezza del cavo elettrico. Oltre, consultare la rete TRACTEL®.
3. Il collegamento della prolunga elettrica deve essere rinforzato da un accessorio ("calza") per evitare che il peso della prolunga stessa gravi sulle prese di connessione.
4. La sostituzione della presa fornita insieme al cavo elettrico di alimentazione richiede l'intervento di un

tecnico qualificato. Qualunque intervento sul cavo della pulsantiera di comando deve essere effettuato da un tecnico qualificato. Nessun intervento sulla cassetta elettrica dell'apparecchio (tranne la sostituzione di un fusibile) dovrà essere effettuato da persona diversa da un tecnico autorizzato TRACTEL®.

5. Accertarsi che l'impianto del cantiere o dell'immobile sul quale è collegato il minifor™ sia dotato di dispositivi di sicurezza elettrica regolamentari, quali i salvavita ed il collegamento alla terra, in modo da proteggere l'operatore, il minifor™ e il suo allestimento.
6. Se il minifor™ è alimentato da un gruppo elettrogeno, verificare che quest'ultimo fornisca come minimo la tensione e la potenza richieste per l'avvio. (6 kVa per minifor™ monofase 8 kVa per minifor™ trifase).

### 5.3. Caso di apparecchi a motore trifase (TR30S / TR50 / TR55)

Gli apparecchi a motore trifase sono dotati di un rilevatore del senso di fase che impedisce il funzionamento nel caso l'ordine sia invertito. Se dopo un collegamento invertito il minifor™ TR30S / TR50 / TR55 trifase non funziona, scollegare la presa di corrente con l'aiuto di un cacciavite, ruotare di 180° la tacca situata all'interno della presa maschio per ristabilire l'ordine corretto delle fasi. (vedi Fig. 14).

### 5.4. Posizionamento del cavo di sollevamento dell'apparecchio

**NOTA:** Si raccomanda di munirsi di guanti per manipolare il cavo.

- E' indispensabile che il cavo sia completamente srotolato e senza torsioni su tutta la sua lunghezza prima del suo montaggio sull'apparecchio.
- Lubrificare il cavo di sollevamento per facilitarne l'introduzione nell'apparecchio.
- Verificare che l'arresto di fine corsa alta sia inserita sul cavo di sollevamento (molla verso l'apparecchio) dal lato del gancio del cavo.
- Collegare il cavo di alimentazione alla presa di corrente.
- **Introdurre** l'estremità libera del **cavo di sollevamento** (punta saldata ed arrotondata) nell'apparecchio **attraverso il foro d'inserimento la cui posizione è indicata da una freccia** sul carter.

**N.B.:** fare attenzione a non introdurre mai il cavo nell'altro foro, che è riservato esclusivamente all'uscita del cavo. **Non fissare mai un carico sul tratto libero del cavo.**

- Premere sul tasto "Salita" della pulsantiera di comando spingendo il cavo in modo che si inserisca sulla puleggia situata all'interno dell'apparecchio. (Per gli apparecchi a corrente trifase, vedi 5.3).

- Quando il cavo comincia a uscire dall'apparecchio, continuare il movimento in modo da ottenere una lunghezza del cavo che fuoriesca di circa di un metro.
- Infilare sull'estremità libera del cavo (1) l'arresto di fine corsa bassa, in modo che l'estremità della molla sia vicina all'apparecchio (2) ed avvitarla la vite situata sull'anello di arresto per mezzo di una chiave maschio esagonale (4). Dovrà esserci almeno un metro di cavo tra questo **anello e l'estremità del cavo.**
- Verificare che il dispositivo di arresto non possa scivolare sul cavo. (Fig. 15).

**N.B.:** E' possibile che sia necessario limitare ulteriormente la corsa del carico verso il basso; in questo caso si farà scorrere la lunghezza del cavo corrispondente prima di fissare l'anello di arresto.

Fissare dall'altro lato, l'anello dell'arresto di fine corsa secondo l'altezza a cui si vuole eventualmente limitare la corsa del carico verso l'alto. Fissare e verificare secondo la stessa procedura adottata per l'arresto di fine corsa bassa

- Verificare il corretto funzionamento delle leve di fine corsa dell'apparecchio e degli altri dispositivi di sicurezza come indicato al capitolo 18.

**La presenza di un arresto di fine corsa posizionato circa un metro prima dell'estremità libera del cavo di sollevamento e di un altro arresto di fine corsa dal lato del gancio del cavo, entrambi solidamente e adeguatamente fissati, sono un'esigenza tassativa di sicurezza.**

### 5.5. Arresti di fine corsa e pulegge

Se il montaggio dell'installazione prevede una o più pulegge di rinvio, si dovrà aver cura di utilizzare esclusivamente pulegge di diametro adeguato. In questo caso gli arresti di fine corsa alta (1) e bassa (2) dovranno essere posizionati sul cavo in modo che né l'arresto di fine corsa alta, né il carico possano venire a contatto con una puleggia. L'arresto di fine corsa alta dovrà quindi essere fissato tra l'apparecchio e la puleggia che si trova più vicino sul percorso del cavo. (Vedi Fig. 13).



#### IMPORTANTE

Verificare che la resistenza dei punti di ancoraggio e delle pulegge sia compatibile con gli sforzi che vengono applicati agli stessi.

### 5.6. Verifiche sotto carico

Quando il carico è agganciato, sollevarlo ad altezza non elevata e verificare il corretto funzionamento dei comandi "Salita" e "Discesa", nonché del comando "Arresto d'emergenza".

Se queste funzioni si svolgono normalmente, è possibile procedere alle manovre. In caso contrario, ritornare l'apparecchio a un tecnico autorizzato della rete TRACTEL® (Vedi anche Cap. 5.3)

## 6. Manovra

La manovra dell'apparecchio si effettua premendo sull'uno o sull'altro dei comandi "Salita" o "Discesa" della pulsantiera (Fig. 2); questa deve sempre essere tenuta in posizione verticale nel punto dove è sospesa al cavo di comando. Non tenerla in posizione rovesciata (vale a dire entrata del cavo elettrico verso il basso), cosa questa che potrebbe provocare degli errori di manovra.

Quando si cessa di premere sul tasto "Salita" o "Discesa", il movimento si arresta. Nel caso di un'operazione di sollevamento a grande altezza con un minifor™, si raccomanda di rispettare un tempo di arresto di circa 15 minuti ogni cinquanta metri per evitare un surriscaldamento.

Tutti i motori sono protetti contro il surriscaldamento da una sonda termica inserita nel avvolgimento. Questa sonda impedisce il funzionamento interrompendo il circuito di comando finchè la temperatura dell'avvolgimento non è ritornata ad un valore accettabile.

**N.B.:** Un riscaldamento del carter fino a 80° è normale.

Un pulsante di arresto d'emergenza, rosso, consente di interrompere il movimento in caso di cattivo funzionamento dei tasti "Salita" o "Discesa". (Vedi capitolo 8: Dispositivi di sicurezza).

La manovra di salita o discesa deve essere accompagnata dalle seguenti precauzioni:

- Evitare che il carico ondeggi o ruoti su se stesso,
- Mantenere qualunque ostacolo lontano dal cavo di sollevamento o dal carico,
- Accertarsi che il tratto libero sia libero su tutta la sua lunghezza,
- Non permettere che il tratto in carico si allenti se il carico non è in appoggio stabile su un supporto sufficientemente resistente,
- Evitare di azionare la pulsantiera ad impulsi successivi (strimpellamento)



### IMPORTANTE:

E' indispensabile tenere il tratto libero lontano dal tratto in carico e, ancor più, dai due tratti in carico, nel montaggio con puleggia scanalata, per evitare che questo tratto libero vada ad aggrovigliarsi con gli altri tratti del cavo.

Per le stesse ragioni, è indispensabile mantenere questo tratto libero lontano da qualunque ostacolo che possa trattenerlo, evitando inoltre che si aggrovigli su se stesso, cosa che potrebbe impedire all'arresto di fine corsa bassa che vi è fissato, di raggiungere gli organi di arresto (leva di fine corsa) dell'apparecchio. Se il tratto libero si blocca nel suo movimento di salita (Discesa del carico) questo può provocare la rottura del cavo e la caduta del carico.

Una deformazione del cavo potrebbe inoltre provocare il bloccaggio della parte deformata all'interno dell'apparecchio o a contatto con l'apparecchio. Qualunque sia la causa del bloccaggio del movimento del cavo, interrompere immediatamente la manovra senza insistere. Vedi capitolo 13.

**Gli arresti di fine corsa non sono organi di manovra, ma organi di sicurezza. Essi non devono quindi essere utilizzati volontariamente, ma devono unicamente servire come organi di arresto in caso di superamento involontario della corsa prevista.**

**Non stazionare nè lavorare mai sotto il carico. In caso di necessità, predisporre al suolo una barriera di sicurezza attorno alla zona sotto il carico.**

## 7. Messa fuori esercizio - stoccaggio

Non scollegare il gancio del cavo del carico se non quando quest'ultimo è in appoggio stabile su un supporto fisso e sufficientemente solido.

L'apparecchio può restare posizionato a condizione che sia al riparo dalle intemperie e in un luogo asciutto. Scollegare elettricamente l'apparecchio quando non è in funzionamento.

Tenere l'apparecchio fuori dall'intervento di persone non autorizzate al suo impiego.

Per il suo stoccaggio, l'apparecchio può essere conservato nel suo contenitore. Il cavo deve essere ritirato dall'apparecchio (salvo per i modelli ad avvolgitore) ed arrotolato sulla sua bobina.

L'apparecchio non deve mai essere appoggiato sulla sua base quando il cavo è dentro l'apparecchio, cosa che potrebbe provocare il piegamento del cavo e il suo deterioramento

## 8. Dispositivi di sicurezza

I dispositivi di sicurezza presenti negli apparecchi sono i seguenti:

- Motore auto-frenato in caso di mancanza di corrente elettrica.
- Comando di arresto d'emergenza sulla pulsantiera di comando – Colore rosso (vedi Fig. 2).
- Bloccaggio meccanico che impedisce l'azione simultanea dei comandi Salita e Discesa.
- Comando a bassissima tensione 48 V per gli apparecchi trifase.
- Leve di fine corsa alta e bassa sull'apparecchio, che operano insieme agli arresti del cavo.
- Linguette di sicurezza (1) sui ganci (Fig. 16 e 17)
- Protezione elettrica della pulsantiera di comando: classe 2.
- Fusibile di protezione del comando, nella cassetta elettrica.
- Il limitatore di carico elettrico sul minifor™ TR110.

L'arresto d'emergenza si ottiene premendo sul tasto rosso (Fig. 2). Per consentire il riavvio, dopo l'arresto d'emergenza, occorre disinnestare il tasto di arresto d'emergenza facendolo ruotare nel senso delle frecce segnate sullo stesso, dopo essersi accertati che non sussistano più le condizioni d'emergenza.

## 9. Cavo di sollevamento

Ad una delle sue estremità, il cavo del minifor™ prevede un gancio di sicurezza montato su un occhio del cavo munito di una radancia e chiuso da un manicotto metallico (vedi Fig.17). L'altra estremità è saldata e molata. Essa deve essere mantenuta saldata, arrotondata e senza asperità (vedi Fig. 18).

Per garantire la sicurezza d'impiego degli apparecchi minifor™ è indispensabile che essi vengano utilizzati esclusivamente con il cavo minifor™, di diametro 6.5 mm, previsto appositamente per questi apparecchi.

**L'utilizzo di un cavo deteriorato o non adatto all'apparecchio costituisce il maggiore rischio di incidente e di guasto.** E' quindi necessario sorvegliare costantemente il buono stato del cavo ed eliminare immediatamente qualsiasi cavo che presenti segni di deterioramento quali deformazioni, piegature o rotture di fili (Fig. 19). Qualunque cavo che, a causa di usura, abbia ridotto il suo diametro nominale del 10 % o che presenti più di 10 fili tagliati su 200 mm di lunghezza dovrà essere eliminato. Norma ISO 4309 (Misurare come indicato (Fig. 20).

Non esporre il cavo ad una temperatura superiore a 100°C, né all'aggressione di agenti meccanici o chimici.

Stoccare il cavo arrotolato su una bobina, al riparo dall'umidità, dopo averlo accuratamente pulito e lubrificato su tutta la sua lunghezza. Non utilizzare grasso o olio contenente bisolfuro di molibdeno o additivi grafitati.

## 10. Manutenzione

La manutenzione dell'apparecchio consiste nel sorvegliarne il buono stato, nel pulirlo, e nel farlo controllare periodicamente (almeno una volta all'anno) da un tecnico autorizzato da TRACTEL®. Nessun tipo di ingrassaggio o lubrificazione dell'apparecchio deve essere effettuato dall'utilizzatore. (Per la manutenzione del cavo vedi capitolo 9). Verificare che la vite di fissaggio del gancio di sospensione dell'apparecchio e il dado freno di fissaggio dell'impugnatura siano sempre perfettamente serrati. Sostituirli se necessario.

**Qualunque deterioramento visibile dell'apparecchio e dei suoi componenti, in modo particolare i ganci, il cavo di sollevamento ed i conduttori elettrici, dovrà essere oggetto di riparazione, prima di riprendere l'utilizzo.**



### IMPORTANTE

L'apertura dell'apparecchio, tranne che per sostituire il fusibile nella centralina elettrica, deve essere effettuata esclusivamente da un tecnico autorizzato della rete TRACTEL®.

## 11. minifor™ con puleggia scanalata (fig. 25.C)

### 11.1. Descrizione

Un kit di puleggia scanalata minifor™ può essere montato solo sui minifor™ TR10 / TR30 / TR30S / TR50 / TR110. Questo montaggio consente di raddoppiare la capacità (carico massimo di utilizzo) dell'apparecchio (tranne il modello TR 50 ). In contropartita, la velocità si riduce della metà.

Il minifor™ deve essere equipaggiato esclusivamente con il kit di puleggia scanalata minifor™. Non deve essere aggiunto alcun sistema complementare.

Il kit di puleggia ausiliare minifor™ prevede (Fig. 21):

- Un dispositivo di aggancio del cavo portante,
- Una puleggia scanalata con gancio a linguetta di standard (o gancio auto-bloccante in opzione) munita di una molla di fine corsa alta,
- Un manuale di montaggio.

**Questo kit deve essere utilizzato esclusivamente per l'equipaggiamento di un minifor™.**

### 11.2. Montaggio

L'utilizzatore deve tenere presente che in caso di utilizzo della puleggia scanalata, la lunghezza necessaria del cavo dovrà essere almeno il doppio dell'altezza di

sollevamento più circa 2 m, di cui un metro di tratto libero apparente.

La molla di fine corsa scorrevole sulla puleggia scanalata è prevista per sostituire l'arresto di fine corsa alta fornito con il cavo. Tuttavia, se si vuole limitare la corsa verso l'alto, è possibile aggiungere l'arresto di fine corsa alta standard, da posizionare tra la puleggia e l'ingresso del cavo nell'apparecchio indicato da una freccia.



#### IMPORTANTE

In caso di utilizzo della puleggia scanalata, raddoppiare il carico massimo di utilizzo da considerare per i calcoli di sicurezza.

**NOTA:** Accertarsi di montare la puleggia scanalata in modo che la molla di fine corsa scorrevole sia situata sul cavo tra la puleggia e l'ingresso del cavo dell'apparecchio. Vedi manuale d'istruzioni del kit di puleggia scanalata. La figura 25 indica le diverse configurazioni del minifor™.

**NOTA:** Tenuto conto dei rischi di aggrovigliamento dei tratti del cavo di sollevamento, si sconsiglia di utilizzare il minifor™ per usi diversi dal sollevamento verticale diretto (Fig. 5) quando è utilizzata la puleggia scanalata.

### 11.3. Scanalata

Durante la manovra con il sistema di puleggia scanalata, l'operatore **dovrà prestare attenzione perchè il carico non ruoti su se stesso**, in modo da evitare di aggrovigliare i tre tratti del cavo (due tratti in carico + tratto libero). Arrestare immediatamente il movimento del carico se il tratto libero va ad aggrovigliarsi con gli altri tratti e liberarlo prima di riprendere il movimento.

Per maggiori dettagli sull'impiego del minifor™ con puleggia scanalata, fare riferimento al manuale di istruzioni fornito insieme al kit di puleggia scanalata minifor™.

## 12. minifor™ speciali

### 12.1. minifor™ TR10/TR30 con avvolgitore integrato

I modelli TR10/TR30 possono essere forniti, in opzione, muniti di un avvolgitore di cavo a richiamo a molla, dotato del cavo previsto in due lunghezze secondo richiesta: 20, 27 o 40m. (Fig. 25.d)

Questo dispositivo consente di eliminare la presenza di un "tratto libero" di lunghezza variabile.

L'insieme viene fornito con i due arresti di fine corsa alta e bassa montati sul cavo. Il gancio del cavo è munito di una zavorra. Questa zavorra è indispensabile e non deve essere tolta.

#### L'avvolgitore deve essere montato in fabbrica.

L'utilizzatore può ritornare a TRACTEL® un apparecchio precedentemente acquistato per farvi montare questo avvolgitore.

L'apparecchio deve essere posizionato e utilizzato in modo che l'avvolgitore possa ruotare liberamente **senza sfregare contro alcun ostacolo esterno.**



#### IMPORTANTE

Il minifor™ dotato di avvolgitore non deve essere utilizzato in appoggio su una piattaforma (rischio di sfregamento)

### 12.2. minifor™ a telecomando radio HF (Fig. 25.b)

Tutti i modelli di minifor™ possono essere forniti in opzione muniti di un dispositivo di telecomando composto da un emettitore portatile (Fig. 22.a) e di un ricevitore situato sull'apparecchio (Fig. 22.b). L'emettitore funziona a batteria. Questo dispositivo consente di comandare a distanza la salita, la discesa e l'arresto dell'apparecchio, senza cavo di comando. Funziona su trasmissione di onda radio HF codificata.

La codifica di ogni apparecchio è modificabile dall'utilizzatore, principalmente in caso di utilizzo di diversi apparecchi a telecomando nello stesso cantiere.

I tasti dell'emettitore e del ricevitore devono essere in posizione di codifica identica. Far riferimento ai documenti del costruttore del radiocomando, consegnati con l'apparecchio.

**Si raccomanda vivamente di manovrare il minifor™ radiocomandato avendo sempre in vista il carico. In caso contrario, occorre prendere le precauzioni necessarie per escludere ogni possibile rischio che potrebbe derivarne.**

**N.B.:** L'emettitore deve essere manipolato e conservato con cura poiché può deteriorarsi a causa di urti.

**NOTA:** In assenza di modifica della codifica, qualunque manipolazione dell'emettitore provocherà la messa in movimento identica e quasi simultanea di tutti gli apparecchi a radiocomando che si trovano nello stesso cantiere e a portata di comando.

**NOTA:** Quando il trasmettitore è orientato verso la parte anteriore del ricevitore, la portata della radio arriva fino a 500 m. in campo aperto.

Questa portata può tuttavia essere alterata in un'altra situazione di fatto, in particolare:

- dalla presenza di ostacoli,
- dall'esistenza di perturbazioni elettromagnetiche,
- da particolari condizioni atmosferiche.

In caso di difficoltà o di utilizzo particolare, consultare la rete TRACTEL®.

**NOTA:** Durante la manovra bisogna tenere conto di un leggero tempo di reazione del sistema. **La manovra di più apparecchi a partire da uno stesso emettitore non consente quindi una rigorosa sincronizzazione.**

Questo dispositivo di telecomando è autorizzato in Francia dall'autorità di regolamentazione delle telecomunicazioni (ART) senza obbligo di licenza individuale. Nessuna modifica deve essere apportata a questo dispositivo di telecomando.

L'utilizzo del minifor™ a radiocomando al di fuori della Francia è subordinata ad una verifica di compatibilità con la regolamentazione locale delle onde radio.

I minifor™ radiocomandati non prevedono pulsantiera collegate con cavo di comando (opzione su richiesta).

### 13. Controindicazioni d'impiego

L'utilizzo degli apparecchi minifor™ in conformità alle indicazioni del presente manuale garantisce un'assoluta sicurezza. Si ritiene tuttavia utile informare l'utilizzatore sulle manipolazioni e sugli utilizzi non corretti indicati qui di seguito:

#### E' VIETATO:

- Utilizzare un apparecchio, anche occasionalmente, per il sollevamento di persone,
- Utilizzare un apparecchio minifor™ per operazioni diverse da quelle a cui è destinato, o seguendo schemi di montaggio diversi da quelli descritti nel presente manuale,
- Utilizzare un apparecchio oltre il suo carico massimo di utilizzo,
- Procedere al posizionamento dell'apparecchio in condizioni pericolose per l'operatore,
- Agganciare il carico al gancio dell'apparecchio ed il gancio del cavo al punto fisso,
- Agganciare l'apparecchio per mezzo dell'impugnatura,
- Mettere in funzione l'apparecchio senza verificare la presenza corretta dei due arresti di fine corsa,
- Collegare l'apparecchio ad una presa senza accertarsi della conformità dell'apparecchio, della corrente

fornita e della presenza sul circuito dei dispositivi di sicurezza elettrica regolamentari,

- Fissare l'apparecchio in una struttura (salvo il caso descritto al capitolo 4.2) o ostacolare il suo auto-allineamento sul cavo,
- Utilizzare un sistema di puleggia scanalata diverso dal kit di puleggia scanalata minifor™,
- Trascinare un carico al suolo utilizzando un apparecchio non situato in linea con lo spostamento del carico,
- Forzare la manovra in caso di bloccaggio del cavo dentro o contro l'apparecchio,
- Manovrare un apparecchio ad alimentazione trifase con comandi invertiti in rapporto al senso visualizzato,
- Applicare un carico sul tratto libero del cavo di sollevamento,
- Utilizzare in appoggio un kit con puleggia scanalata,
- Utilizzare il cavo di sollevamento come mezzo per imbracare il carico,
- Lasciare ondeggiare il carico sotto l'apparecchio,
- Stazionare o spostarsi sotto il carico.

### 14. Marcature

esempio di marcature come nella figura 26.

- 1 : Marcatura di Certificazione (es. CE...)
- 2 : Tipo di apparecchio
3. Carico di rottura minimo del cavo
4. Carico di utilizzo massimo
5. Potenza acustica garantita
6. Tensione del motore
7. Velocità di salita e discesa
8. Fare riferimento al manuale di uso e manutenzione
9. Anno di fabbricazione
10. Potenza del motore
11. N° di serie
12. Frequenza del motore
13. Diametro del cavo
- 14 : Nome e indirizzo del produttore
- 15 : Numeri di fasi
- 16 : Classificazione F.E.M.



## 15. Anomalie di funzionamento

Anomalia	Possibile causa	Azione
1 - Bloccaggio del cavo	<ul style="list-style-type: none"> <li>• Deformazione del cavo all'interno o a contatto con l'apparecchio.</li> <li>• Aggancio dell'estremità libera attorno a un'altra estremità o attorno ad un ostacolo.</li> <li>• Aggancio del carico in salita.</li> </ul>	<ul style="list-style-type: none"> <li>• Arrestare immediatamente la manovra senza insistere.</li> <li>• Riprendere il carico con un altro mezzo che offra le garanzie regolamentari di sicurezza e liberare l'apparecchio fuori carico. Tentare di far uscire il cavo dall'apparecchio. Se questo è impossibile, ritornare l'apparecchio ed il cavo ad un tecnico autorizzato TRACTEL®.</li> <li>• Se si presenta un'anomalia sul cavo, eliminare lo stesso.</li> <li>• Liberare tassativamente il tratto libero e verificare il cavo prima di riprendere il movimento.</li> <li>• Liberare il carico e verificare il cavo prima di riprendere il movimento.</li> </ul>
2 - Assenza di rotazione del motore	<ul style="list-style-type: none"> <li>• Arresto d'emergenza innestato.</li> <li>• Leva di fine corsa nell'apparecchio azionata.</li> <li>• Fusibile bruciato.</li> <li>• Leva di fine corsa bloccata o rotta.</li> <li>• Alimentazione interrotta, presa o connettore difettoso.</li> <li>• Interruttori o pulsantiera di comando difettosi.</li> <li>• Il motore dopo un uso intensivo è troppo caldo e la sonda termica è disinnestata (motore monofase 230 V).</li> <li>• Fasi invertite (motore trifase).</li> </ul>	<ul style="list-style-type: none"> <li>• Disinnestare il pulsante di arresto d'emergenza (rotazione).</li> <li>• Se l'arresto è provocato dall'intervento dell'arresto di fine corsa sulla leva, manovrare in senso inverso.</li> <li>• Sostituire il fusibile (fusibile calibro 2A protezione del comando).</li> <li>• Ritornare l'apparecchio ad un tecnico autorizzato TRACTEL®</li> <li>• Far riparare da un elettricista.</li> <li>• Ritornare l'apparecchio ad un tecnico autorizzato TRACTEL®.</li> <li>• Attendere il raffreddamento.</li> <li>• Vedi capitolo 5.3.</li> </ul>
3 - Rotazione del motore in un unico senso	<ul style="list-style-type: none"> <li>• Fine corsa danneggiato.</li> <li>• Interruttore o pulsantiera di comando difettosi.</li> <li>• Bobina del contattore bruciata.</li> </ul>	<ul style="list-style-type: none"> <li>• Ritornare l'apparecchio ad un tecnico autorizzato TRACTEL®.</li> </ul>



Anomalia	Possibile causa	Azione
4 - Rotazione debole del motore con «rumore»	<ul style="list-style-type: none"> <li>• Rete di alimentazione difettosa.</li> <li>• Forte caduta di tensione.</li> <li>• Blocco, del freno elettromagnetico</li> <li>• Mancanza di coppia all'avviamento (condensatore permanente difettoso o interruzione di un avvolgimento della carcassa motore).</li> <li>• Riduttore o freno difettoso.</li> <li>• Sovraccarico.</li> </ul>	<ul style="list-style-type: none"> <li>• Verificare la tensione di alimentazione.</li> <li>• Ritornare l'apparecchio ad un tecnico autorizzato TRACTEL® se la causa del guasto non sono la tensione di alimentazione o il sovraccarico.</li> <li>• Ridurre il carico o utilizzare una puleggia ausiliaria.</li> </ul>
5 - Impossibilità di introdurre il cavo	<ul style="list-style-type: none"> <li>• Cavo di diametro eccessivo.</li> <li>• Punta del cavo difettosa.</li> <li>• Deformazione del cavo.</li> <li>• Per un modello trifase, comandi invertiti.</li> <li>• Pezzi di guida interna deteriorati.</li> </ul>	<ul style="list-style-type: none"> <li>• Verificare il diametro. Sostituire con un cavo di diametro corretto.</li> <li>• Se necessario risaldare al cannello la punta del cavo. Molare e arrotondare.</li> <li>• Eliminare la parte deformata. Tagliare, risaldare, molare l'estremità tagliata.</li> <li>• Azionare il tasto «Discesa». Se il cavo si inserisce normalmente, azionare il tasto «Salita» per liberarlo ed invertire le fasi sulla presa prevista a questo scopo.</li> <li>• In assenza delle cause sopra indicate ritornare il Minifor™ a un tecnico autorizzato TRACTEL®.</li> </ul>
6 - Il cavo slitta o pattina in salita	<ul style="list-style-type: none"> <li>• Cavo di diametro troppo piccolo.</li> <li>• Usura del cavo superiore al 10% del diametro nominale.</li> <li>• Forte usura del sistema di serraggio.</li> </ul>	<ul style="list-style-type: none"> <li>• Verificare il diametro del cavo come indicato nel manuale. Se si constata che il cavo non è conforme o è usato, eliminarlo e sostituirlo con un cavo nuovo.</li> <li>• Se il cavo è normale, ritornare l'apparecchio ad un tecnico autorizzato TRACTEL®.</li> </ul>
7 - La discesa del carico non è più frenata: il cavo slitta malgrado l'arresto del motore	<ul style="list-style-type: none"> <li>• Freno sregolato.</li> <li>• Guarnizione del freno consumata.</li> <li>• Guarnizione del freno imbevuta di olio o di grasso.</li> <li>• Sovraccarico.</li> </ul>	<ul style="list-style-type: none"> <li>• Regolare il traferro.</li> <li>• Ritornare l'apparecchio ad un tecnico autorizzato TRACTEL®.</li> </ul>
8 - Il motore si arresta in corso di manovra	<ul style="list-style-type: none"> <li>• Il motore dopo un uso intensivo è troppo caldo e la sonda termica è disinnestata.</li> </ul>	<ul style="list-style-type: none"> <li>• Attendere il raffreddamento.</li> </ul>

<b>Sumário</b>	<b>Página</b>
INSTRUÇÕES BÁSICAS .....	82
1. Apresentação .....	83
2. Especificações funcionais .....	84
3. Acessórios e peças sobresselentes .....	85
4. Amarração - esquema de montagem .....	85
5. Colocação em serviço .....	86
6. Manobra .....	88
7. Colocação fora de serviço - armazenagem .....	88
8. Dispositivos de segurança .....	88
9. Cabo de içamento .....	89
10. Manutenção .....	89
11. minifor™ com cadernal (fig. 25.c)...	89
12. minifor™ especiais .....	90
13. Contraindicações de uso .....	91
14. Marcação .....	91
15. Anomalias de funcionamento .....	92

Com vista a melhorar constantemente os seus produtos, o grupo TRACTEL® reserva-se o direito de efectuar qualquer modificação que julgue útil nos aparelhos descritos neste manual.

LUSOtractel e seus distribuidores autorizados, facultarão sempre que necessário, toda a documentação técnica relativa a estes ou outros que fazem parte da gama e acessórios, tais como, aparelhos de elevação e tracção, equipamentos de acesso em obra e fachadas, dispositivos de segurança, indicadores electrónicos de carga, roldanas, ganchos, lingas, amarrações, etc.

A LUSOTRACTEL® e seus revendedores estão aptos a oferecer-lhe um serviço de pós-venda e de manutenção periódica. Perante qualquer dúvida ou necessidade especial, não hesitem consultar a LUSO-TRACTEL®.

## INSTRUÇÕES BÁSICAS

1. Antes de instalar e utilizar este aparelho, é indispensável, para a segurança de uso e a eficácia, tomar conhecimento deste manual e respeitar as recomendações. Um exemplar deste manual deve ser mantido ao dispor de qualquer operador. Podemos fornecer exemplares suplementares a pedido.
2. Não utilizar este aparelho se uma das placas fixadas no aparelho, ou uma das inscrições que lá se encontram, como indicado no capítulo 14, Marcação deste manual, não estiver mais presente ou legível. Serão fornecidas placas idênticas se as solicitar à Tractel®, que devem ser fixadas antes de prosseguir a utilização do aparelho.
3. Certifique-se de que qualquer pessoa a quem confiar a utilização deste aparelho conhece a manipulação e está apta a assumir os requisitos de segurança que essa manipulação exige para o uso em questão. Este manual deve ficar ao dispor dessa pessoa.
4. A aplicação deste aparelho deve obedecer à regulamentação e às normas de segurança aplicáveis relativas à instalação, a utilização, a manutenção e o controlo dos aparelhos de elevação de material.
5. Para todos os usos profissionais, este aparelho deve ficar sob a responsabilidade de uma pessoa conhecedora da regulamentação aplicável, e que tenha autoridade para assegurar a utilização caso não seja o operador.
6. Qualquer que utilize este aparelho pela primeira vez deve verificar, sem risco, antes de aplicar a carga e numa altura de elevação reduzida, se compreendeu todas as condições de segurança e de eficácia da manipulação.
7. A instalação e a colocação em funcionamento deste aparelho devem ser efectuadas em condições que assegurem a segurança do instalador conforme a regulamentação aplicável a esta categoria.
8. Antes de cada utilização do aparelho, verificar se está em bom estado aparente, assim como os acessórios utilizados com o aparelho.
9. A Tractel® exclui a sua responsabilidade para o funcionamento deste aparelho numa configuração de montagem não descrita neste manual.
10. O aparelho deve ser suspenso por gancho a um ponto de amarração e a uma estrutura de resistência suficiente para suportar a carga máxima de utilização indicada neste manual. Em caso de utilização de vários aparelhos, a resistência da estrutura deve corresponder ao número de aparelhos, conforme a respectiva carga máxima de utilização.

11. Qualquer modificação do aparelho sem o controlo da Tractel®, ou supressão de peças integrantes isenta a Tractel® da sua responsabilidade.
12. A Tractel® só garante o funcionamento do aparelho se este estiver equipado com um cabo Tractel® de origem, conforme as especificações indicadas neste manual.
13. Qualquer operação de desmontagem deste aparelho não descrita neste manual, ou qualquer reparação efectuada fora do controlo da Tractel® isenta a Tractel® da sua responsabilidade, em particular no caso de substituição de peças de origem por peças de outra proveniência.
14. Qualquer intervenção no cabo para o modificar ou reparar sem o controlo da Tractel® isenta a responsabilidade da Tractel® para as consequências dessa intervenção.
15. Este aparelho nunca deve ser utilizado para operações além das descritas neste manual. Nunca deve ser utilizado para uma carga superior à carga máxima de utilização indicada no aparelho. Nunca deve ser utilizado em atmosfera explosiva.
16. É proibido utilizar este aparelho para elevar ou deslocar pessoas.
17. Quando uma carga deve ser levantada por vários aparelhos, a instalação dos mesmos deve ser precedida de um estudo técnico por um técnico competente, e em seguida efectuada segundo esse estudo, designadamente para assegurar a distribuição constante da carga em condições correctas. A Tractel® declina qualquer responsabilidade caso o aparelho Tractel® seja utilizado conjuntamente com outros aparelhos de elevação de outra origem.
18. Durante as operações de elevação, em subida e em descida, o utilizador deve poder observar constantemente a carga.
19. Nunca estacionar ou circular debaixo da carga. Assinalar e proibir o acesso à zona situada debaixo da carga.
20. O controlo permanente do bom estado aparente do aparelho e a manutenção correcta fazem parte das medidas necessárias para a segurança da utilização. O aparelho deve ser verificado periodicamente por um reparador autorizado Tractel® como indicado neste manual.
21. O bom estado do cabo é uma condição essencial de segurança e de bom funcionamento do aparelho. O controlo do bom estado do cabo deve ser efectuado em cada utilização como indicado no capítulo "cabo". Qualquer cabo que apresentar sinais de deterioração deve ser descartado definitivamente.
22. Quando o aparelho não é utilizado, deve ser colocado fora de alcance de pessoas não autorizadas a utilizar.
23. O utilizador deve certificar-se, durante a utilização, de que o cabo está constantemente tenso pela carga, e em particular que a carga não está neutralizada temporariamente por um obstáculo em descida, o que pode provocar um risco de ruptura do cabo quando a carga ficar livre do seu obstáculo.
24. No caso de paragem definitiva da utilização, descartar o aparelho em condições que impeçam a sua utilização. Respeitar a regulamentação sobre a protecção do ambiente.



### IMPORTANTE

Para qualquer uso profissional, em particular se este aparelho deve ser confiado a pessoal assalariado ou equivalente, deve ser respeitada a regulamentação do trabalho relativa à montagem, à manutenção e à utilização deste material, designadamente no que se refere às verificações exigidas: verificação na primeira colocação em serviço pelo utilizador, verificações periódicas e após a desmontagem ou reparação.

## 1. Apresentação

### 1.1. Princípio de funcionamento

O minifor™ é um guincho talha eléctrico portátil, de içamento e de tracção, com cabo passante, funcionando por meio de um sistema de accionamento por auto-aperto que permite um curso ilimitado do cabo de içamento.

O sistema de accionamento é constituído por uma roldana cuja garganta tem um perfil especial, e na qual o cabo fica apertado devido ao efeito da carga por dois roletes articulados.

Uma mola de pré-aperto, que actua nesses roletes, assegura sem a carga a aderência do cabo na roldana. Além da acção da mola de pré-aperto, o aperto do cabo na roldana de accionamento é proporcional à carga.

Esta concepção técnica assegura uma grande segurança, desde que se respeitem as instruções dadas neste manual no capítulo "Amarração - esquemas de montagem".

O aparelho minifor™ deve ser utilizado exclusivamente com o cabo de içamento especial minifor™ de diâmetro indicado (ver especificações) para assegurar totalmente a segurança e a eficácia do uso.

A TRACTEL® declina qualquer responsabilidade pelas consequências do uso do aparelho com um cabo diferente do cabo Minifor.

Cada aparelho minifor™ é submetido a um ensaio, antes do envio, a 110 % da carga máxima de utilização.

## 1.2. Composição de um fornecimento standard minifor™

Cada Minifor, consoante o modelo, é fornecido numa caixa ou numa embalagem metálica que contém:

1. O aparelho com a caixa de botões, equipada com uma pega de transporte, um gancho de segurança e uma extensão de alimentação com tomada macho/fêmea.
2. Um saco plástico com:
  - um batente de fim de curso inferior com mola,
  - uma chave ALLEN de 3 para a fixação dos batentes de fim de curso no cabo.
3. Um saco plástico com:
  - este manual de instruções,
  - a declaração CE de conformidade,
  - se for o caso, os documentos relativos ao telecomando.
4. Conforme a opção de encomenda, o cabo de içamento no comprimento montado em bobina, equipado com um gancho de segurança, um batente de fim de curso superior montado em mola.

A figura 1 mostra um minifor™ standard na posição de utilização mais corrente e pronto a funcionar, suspenso a uma pinça de amarração na viga. O aparelho standard é fornecido com um cabo eléctrico de comando de 2.50 m com caixa de botões pendente (Fig. 2) e um cabo eléctrico de alimentação de 0.50 m. Pode ser fornecido, a pedido, com comprimentos diferentes de cabo de comando e de alimentação. Cada aparelho tem um número de série situado por cima da caixa do aparelho. Este número deve ser indicado totalmente (incluindo a letra) para qualquer pedido de peças sobresselentes ou de reparações.

Controlar regularmente se todas as etiquetas estão no sítio e são legíveis.


O comprimento do cabo de içamento está indicado na manga da extremidade passada no gancho. Convém verificar, se necessário, esse comprimento pois o cabo pode ter sido encurtado depois da entrega. Todos os minifor™ são entregues com uma caixa de botões (Fig. 2) de duplo isolamento IP 65 com 3 comandos: Subida, Descida e Paragem de emergência.

NOTA: A indicação "Subida" ou "Descida" está inscrita, no botão de comando correspondente, por uma seta orientada no sentido do movimento comandado, estando a caixa na posição pendente (Fig. 2).

## 1.3. Descrição e marcação

## 2. Especificações funcionais

A pedido: outras tensões e frequências.

	TR10		TR30		TR30S		TR50		TR55		TR110
	1~	1~	1~	3~	1~	3~	1~	3~	1~	3~	1~
Número de fases	1~	1~	1~	3~	1~	3~	1~	3~	1~	3~	1~
C.M.U. padrão/com cadernal (kg)	100 / 200	300 / 600	300 / 600		500 / 950		550 / -		550 / 1100		
Velocidade padrão/com cadernal (m/min)	15 / 7,5	5 / 2,5	13 / 6,5		7 / 3,5		7 / -		7 / 3,5		
Classe FEM 9.511/ISO	-	-	1Bm / M3	1Bm / M3	1Bm / M3	1Bm / M3	1Bm / M3	1Bm / M3	1Bm / M3	1Bm / M3	
Potência (kW)	0,25		1,1		1,1		1,1		1,1		
Intensidade no arranque (A)	25,5 / 17,3		54 / 16	19 / 11	54 / 16	19 / 11	54 / 16	19 / 11	16		
Intensidade nominal (A)	7,5 / 3,9		16 / 8	5,9 / 3,4	16 / 8	5,9 / 3,4	16 / 8	5,9 / 3,4	8		
Tensão de alimentação (V)	115 / 230		115 / 230	230 / 400	115 / 230	230 / 400	230	400	230		
Tensão de comando (V)	115 / 230		115 / 230	230 / 400	115 / 230	230 / 400	230	400	230		
Frequência (Hz)	50		50		50		50		50		
Diâmetro do cabo de aço (mm)	6,5		6,5		6,5		6,5		6,5		
Peso do cabo por metro (kg)	0,17		0,17		0,17		0,17		0,17		
Peso do aparelho padrão (sem cabo) (kg)	21		33	33	33	33	33	33	43		
Peso do enrolador com 20 m de cabo (kg)	+23		-	-	-	-	-	-	-		
Peso do enrolador com 27 m de cabo (kg)	+28		-	-	-	-	-	-	-		
Peso do enrolador com 40 m de cabo (kg)	+30		-	-	-	-	-	-	-		
Peso do kit de cadernal (kg)	+5		+8		+8		-		+8		
 L <sub>WA</sub> dB(A)	86	85	88		90		90		90		

### 3. Acessórios e peças sobresselentes

As peças e acessórios seguintes podem ser obtidas e montadas pelo utilizador:

- Batente de fim de curso superior e batente de fim de curso inferior (interpermutáveis).
- Cabo de içamento com gancho de alça.
- Fusível.
- Tomada de alimentação (electricista).

### 4. Amarração - esquema de montagem

Verificar se o ponto fixo de amarração apresenta uma resistência suficiente para o esforço a aplicar.

Se a fixação do aparelho deve ser feita num sítio perigoso para o operador, devem ser tomadas as precauções de segurança previstas pela regulamentação do trabalho, de modo a evitar qualquer risco não controlado nessa operação. Nesse caso, pode ser preferível pôr o cabo de içamento no sítio no aparelho antes da operação de amarração (ver capítulo 5).

O aparelho pode ser utilizado em suspensão ou apoiado na base.

#### 4.1. Fixação do aparelho em suspensão

É a montagem mais simples e mais corrente. A amarração do aparelho deve ser feita exclusivamente pelo gancho (excepto 4.2 seguinte) e nunca pela pega. É proibido amarrar o gancho do cabo ao ponto fixo para fazer trabalhar o aparelho em deslocamento no cabo (Fig. 3 montagem obrigatória, Fig. 4 montagem proibida).

O gancho do aparelho deve ser colocado no órgão do ponto de fixação, de modo que esse órgão assente no fundo do gancho. A lingueta de segurança do gancho deve fechar totalmente. Se aparecer um impedimento na articulação do gancho do aparelho com o órgão de fixação, é indispensável intercalar uma linga de capacidade adequada.

#### 4.2. Fixação do aparelho apoiado na base

Este tipo de instalação requer precauções particulares:

1. A superfície de apoio onde o aparelho assenta deve ser plana e horizontal.
2. Esta superfície deve comportar, para a passagem dos dois troços de cabo, um orifício cuja configuração e as dimensões estão indicadas na figura 24, que mostra a face de apoio do aparelho e a sua localização sobre o orifício.
3. O aparelho deve ficar colocado de modo que o cabo de içamento em carga não fique em atrito

contra as paredes do orifício, e de modo que os batentes de fim de curso fixados no cabo possam entrar em contacto com as alavancas de fim de curso do aparelho.

4. O aparelho deve ser imobilizado de modo a não sofrer nenhum deslocamento da face de apoio.
5. A plataforma em que o aparelho está apoiado deve ter a estabilidade e a resistência necessárias para a segurança da operação.
6. A carga deve estar em suspensão livre (Fig. 5) ou ligada ao aparelho por intermédio de uma roldana de reenvio situada imperativa e estritamente na vertical do aparelho (Fig. 6).



#### IMPORTANTE

Com esta montagem, nunca levantar a carga sem a ter colocado previamente na vertical do aparelho, excepto no caso da roldana de reenvio.

#### 4.3. Amarração da carga

A amarração da carga deve ser feita obrigatoriamente pelo gancho do cabo de içamento e nunca no gancho do aparelho.

A amarração da carga deve ser feita por uma linga de capacidade, dimensões e tipo adequados ao objecto a movimentar. É proibido utilizar o cabo do aparelho como linga passando-o em volta de um objecto para o retomar no gancho (Fig. 7 ligação correcta e Fig. 8 ligação proibida).

#### 4.4. Esquemas de montagem

##### 4.4.1. Aparelho em suspensão, carga suspensa directamente

É o caso mais simples (Fig. 7). A principal precaução é de evitar a presença de qualquer obstáculo contra o qual a carga ou o cabo de içamento possa assentar lateralmente ou contra o qual a carga possa bater.

##### 4.4.2. Aparelho em suspensão, içamento oblíquo directo

Este caso requer a presença de um plano inclinado estável, sobre o qual a carga é elevada e mantida (Fig. 9).

##### 4.4.3. Aparelho em suspensão, tracção ou içamento indirecto

Este caso requer uma roldana de reenvio amarrada a um ponto fixo (Fig. 11). Ver também capítulo 5.5.

#### 4.4.4. Aparelho amarrado horizontalmente para tracção directa

Para a segurança da operação, é indispensável que nem o aparelho nem o cabo nunca possam assentar lateralmente sobre qualquer objecto, quando estão em tensão. (Fig. 10).

Confirmar o alinhamento perfeito do aparelho no cabo por meio de uma amarração do aparelho articulada livremente, por exemplo por uma linga.

**Nunca fixar o aparelho rigidamente** numa estrutura de amarração. Assegurar a liberdade de movimento dos diversos troços do cabo mantendo-os fora de qualquer atrito.

**N.B.:** Se estiver intercalada uma roldana de reenvio para elevar a carga num plano inclinado, como a carga é motora, encontramos-nos num caso de içamento (caso 4.4.3).

#### 4.4.5. Aparelho amarrado ao nível do chão

Içamento por roldana de reenvio. Mesmas recomendações que para o caso 4.4.4. A resistência da roldana e a da respectiva amarração devem ser calculadas para um esforço duplo da carga. (Fig. 12). Ver também o capítulo 5.5.

#### 4.4.6. Aparelho em apoio, carga suspensa livremente

Seguir estritamente as instruções do capítulo 4.2. e capítulo 5.5. Tomar um cuidado particular para evitar qualquer balanço da carga. Respeitar a Fig. 5.

#### 4.4.7. Aparelho em apoio, carga não suspensa livremente

Este caso de utilização requer uma roldana de reenvio fixada na vertical do aparelho (Fig. 6). Ver capítulo 4.2 e capítulo 5.5.

#### 4.4.8. Cadernal

Todas as recomendações acima aplicam-se em particular no caso de utilização de cadernal. Neste caso, a colocação em tensão deve ser feita com um cuidado particular (ver capítulo 11).

**IMPORTANTE:** o minifor™ TR55 não pode ser usado com cadernal, uma vez que não está equipado com limitador de carga conforme exigido pela Diretiva Europeia 2006/42/CE para elevação de cargas superiores a 1000 kg.

**N.B.:** No caso de utilização de roldanas de reenvio, o utilizador terá o cuidado de posicionar os batentes de fim de curso como indicado no capítulo 5.4 (Fig. 13).

## 5. Colocação em serviço

### 5.1. Verificações preliminares

- Carga ou esforço não superior à carga máxima de utilização do aparelho.
- As roldanas de reenvio aumentam o esforço a produzir para levantar uma carga em proporções consideráveis.
- Resistência do ponto fixo suficiente para aplicar com toda a segurança um esforço igual à carga máxima de utilização (ou ao dobro dessa carga no caso 4.4.5).
- Amarração correcta.
- Cabo de içamento em bom estado.
- Comprimento do cabo de içamento suficiente para o trajecto da carga. Contar um suplemento de pelo menos 1.50 m para a passagem no aparelho e um comprimento de troço frouxo aparente suficiente.
- Comprimento do cabo eléctrico de comando suficiente para ligar o aparelho à posição prevista do operador em condições satisfatórias de segurança.

### 5.2. Recomendações de ordem eléctrica

1. Antes de cada colocação em serviço numa nova ligação, consultar a placa de identificação do motor. Obter informações sobre as características da corrente fornecida: monofásica ou trifásica, tensão, amperagem disponível. Verificar se a corrente fornecida é compatível com as características indicadas na placa de identificação do motor. A intensidade disponível deve ser igual ou superior à indicada na placa do motor.
2. 2) No caso de utilização de uma extensão de alimentação, escolher uma extensão que tenha as seguintes características:
  - **monofásica** 230 V: 3 fios (1 fase, 1 neutro, 1 terra) de secção 2,5 mm<sup>2</sup>.
  - **trifásica** 400 V: 4 fios (3 fases, 1 terra) de secção 2,5 mm<sup>2</sup>.
 Estas características são válidas até 50 m de comprimento de cabo eléctrico. Acima deste comprimento, consultar a rede TRACTEL®.
3. A conexão da extensão eléctrica deve ser reforçada com um acessório (“manga”) que evite que o peso da extensão seja suportado pelas tomadas de conexão.
4. A substituição da ficha fornecida no cabo eléctrico de alimentação requer a intervenção de um técnico qualificado. Qualquer intervenção no cabo da caixa de botões deve ser confiada a um técnico qualificado. Qualquer intervenção na caixa eléctrica do aparelho (excepto mudança de fusível) deve ser feita por um reparador autorizado TRACTEL®.
5. Certificar-se de que a instalação da obra ou do edifício onde o minifor™ fica ligado está equipada com dispositivos de segurança eléctrica regulamentares tais como um disjuntor diferencial

e ligação à terra, para a protecção do operador, do minifor™ e do equipamento.

6. Se o minifor™ for alimentado a partir de um grupo electrogéneo, verificar se o mesmo fornece no mínimo a tensão e a potência requeridas no arranque. (6 kVa para o minifor™ monofásico 8 kVa para o minifor™ trifásico).

### 5.3. Caso dos aparelhos com motor trifásico (TR30S/TR50/TR55)

Os aparelhos com motor trifásico estão equipados com um detector de sentido de fase que impede o funcionamento no caso de inversão. Depois de uma ligação invertida, se o minifor™ TR30S/TR50/TR55 trifásico não funcionar, desconectar a tomada de corrente e com uma chave de fendas, rodar de 180° a placa situada no interior da tomada macho para restabelecer a ordem correcta das fases. (Ver Fig. 14).

### 5.4. Instalação do cabo de içamento no aparelho

**NOTA:** É aconselhável usar luvas para manipular o cabo.

- É indispensável que o cabo esteja totalmente desenrolado e destorcido em todo o seu comprimento antes da montagem no aparelho.
- Lubrificar o cabo de içamento para facilitar a introdução no aparelho.
- Verificar se o batente de fim de curso superior está inserido no cabo de içamento (mola para o aparelho) do lado do gancho de cabo.
- Ligar o cabo de alimentação na tomada de corrente.
- **Introduzir** a extremidade livre do **cabo de içamento** (ponta soldada e arredondada) no aparelho pelo **orifício de inserção cuja localização está marcada por uma seta** na caixa do aparelho.

**N.B.:** Nunca introduzir o cabo no outro orifício, que é reservado exclusivamente para a saída do cabo. **Nunca fixar uma carga no troço frouxo do cabo.**

- Carregar no botão “Subida” da caixa de botões empurrando o cabo de modo que se insira na roldana situada no interior do aparelho. (Para os aparelhos com corrente trifásica, ver 5.3).
- Quando o cabo sair do aparelho, prolongar o movimento de modo a obter um comprimento de cabo excedente de cerca de um metro.
- Enfiar na extremidade livre do cabo (1) o batente de fim de curso inferior, de modo que a extremidade da mola fique próxima do aparelho (2) e apertar o parafuso situado no casquilho de batente (3) com a chave ALLEN (4). Deve haver **peelo menos um metro de cabo entre este casquilho e a extremidade do cabo.**

- Verificar se o dispositivo de batente não pode deslizar no cabo. (Fig. 15).

**N.B.:** Pode ser necessário limitar mais o curso da carga para baixo; nesse caso, fazer avançar o comprimento de cabo correspondente antes de fixar o casquilho de batente.

Fixar, do outro lado, o casquilho do batente de fim de curso superior conforme a altura a que se deseja eventualmente limitar o curso da carga para cima. Fixar e verificar segundo o mesmo processo que para o batente de fim de curso inferior.

- Verificar o bom funcionamento das alavancas de fim de curso do aparelho e dos outros dispositivos de segurança como indicado no capítulo 18.

**A presença de um batente de fim de curso cerca de um metro antes da extremidade livre do cabo de içamento e outro batente de fim de curso do lado do gancho de cabo, ambos fixados sólida e correctamente, é um requisito imperativo de segurança.**

### 5.5. Batentes de fim de curso e roldanas

Se a montagem da instalação comportar uma ou várias roldanas de reenvio, devem ser utilizadas somente roldanas de diâmetro adequado. Nesse caso, os batentes de fim de curso superior (1) e inferior (2) devem ficar posicionados de modo que nem o batente de fim de curso superior, nem a carga possam entrar em contacto com uma roldana. O batente de fim de curso superior deve ser fixado evidentemente entre o aparelho e a roldana mais próxima no percurso do cabo. (Ver Fig. 13).



#### IMPORTANTE

Verificar a compatibilidade da resistência dos pontos de amarração e das roldanas com os esforços que lhe são aplicados.

### 5.6. Verificação com carga

Com a carga fixada, levantá-la a pequena altura e verificar o bom funcionamento dos comandos “Subida” e “Descida”, assim como o comando “Paragem de emergência”.

Se estas funções se realizam normalmente, podem-se então efectuar as manobras. Senão, enviar o aparelho a um reparador autorizado da rede TRACTEL® (Ver igualmente o capítulo 5.3).



## 6. Manobra

A manobra do aparelho faz-se premindo um ou outro comando “Subida” ou “Descida” da caixa de botões (Fig. 2); esta caixa deve ser mantida sempre na posição vertical em que está suspensa do cabo de comando. Não a colocar na posição invertida (quer dizer com a entrada do cabo eléctrico para baixo), o que poderia provocar erros de manobra.

Logo que se pára de carregar no o botão “Subida” ou “Descida”, o movimento pára. No caso de uma operação de içamento em grande altura com um Minifor, é recomendado respeitar um tempo de paragem de cerca de 15 minutos todos os cinquenta metros de avanço, para evitar um aquecimento excessivo.

Todos os motores estão protegidos contra os aquecimentos excessivos por uma sonda térmica inserida na bobinagem. Esta sonda impede o funcionamento e interrompe o circuito de comando enquanto a temperatura da bobinagem não voltar a um valor aceitável.

**N.B.:** Um aquecimento da caixa do aparelho até 80° é normal.

Um botão de paragem de emergência, vermelho, permite parar o movimento no caso de mau funcionamento dos botões “Subida” ou “Descida”. (Ver capítulo 8: Dispositivos de segurança).

A manobra de subida ou descida deve ser acompanhada das seguintes precauções:

- Evitar que a carga balance ou rode.
- Manter qualquer obstáculo afastado do cabo de içamento ou da carga.
- Verificar se o troço frouxo está livre em todo o comprimento.
- Não deixar o troço carregado ficar frouxo se a carga não estiver em apoio estável sobre um suporte suficientemente resistente.
- Evitar accionar a caixa de botões por impulsos sucessivos (batidas).



### IMPORTANTE

É indispensável manter o troço frouxo afastado do troço carregado e, ainda mais, dos dois troços carregados na montagem com cadernal, de modo que esse troço frouxo não fique emaranhado com os outros troços.

**Pelos mesmos motivos, é indispensável manter esse troço frouxo afastado de qualquer obstáculo que o possa reter, e evitar que ele próprio se emaranhe, o que poderia ter o efeito, designadamente, de impedir o batente de fim**

**de curso inferior que lá está fixado, de atingir os órgãos de paragem (alavancas de fim de curso) do aparelho. Um bloqueio do troço frouxo no movimento de subida (Descida da carga) pode provocar a ruptura do cabo e a queda da carga.**

**Uma deformação do cabo também pode provocar o bloqueio no aparelho ou em contacto com o aparelho da parte deformada. Seja qual for a causa do bloqueio do cabo no seu movimento, parar imediatamente a manobra sem insistir. Ver capítulo 13.**

**Os batentes de fim de curso não são órgãos de manobra mas órgãos de segurança. Nunca devem ser utilizados voluntariamente mas servem unicamente de órgãos de paragem caso o curso previsto seja ultrapassado involuntariamente.**

**Nunca estacionar nem trabalhar debaixo da carga. Se necessário, colocar no chão uma barreira de segurança em volta da zona debaixo da carga.**

## 7. Colocação fora de serviço - armazenagem

O gancho do cabo só deve ser desligado da carga quando esta estiver apoiada solidamente num suporte fixo e suficientemente sólido.

O aparelho pode ficar no sítio desde que esteja protegido das intempéries e em local seco. Desligar o aparelho da electricidade quando não estiver em utilização.

Manter o aparelho fora da intervenção de pessoas não autorizadas para a sua utilização.

Para a armazenagem, o aparelho pode ser mantido na respectiva caixa. O cabo deve ser retirado do aparelho (excepto para os modelos com enrolador) e enrolado na bobina.

O aparelho nunca deve ficar assente na base quando o cabo está inserido no aparelho, o que teria o efeito de dobrar o cabo que ficaria deteriorado.

## 8. Dispositivos de segurança

Os dispositivos de segurança que se encontram nos aparelhos são os seguintes:

- Motor com travão por falta de corrente eléctrica.
- Comando de paragem de emergência na caixa de botões - Cor vermelha (ver Fig. 2).
- Bloqueio mecânico que impede a acção simultânea dos comandos Subida e Descida.



- Comando em muito baixa tensão 48 V para aparelhos trifásicos.
- Alavancas de fim de curso superior e inferior no aparelho, conjugadas com os batentes no cabo.
- Linguetas de segurança (1) nos ganchos (Fig. 16 e 17).
- Protecção eléctrica da caixa de botões: classe 2.
- Fusível de protecção do comando, na caixa eléctrica.
- Limitador de carga eléctrica no minifor™ TR110.

A paragem de emergência obtém-se premindo o botão vermelho (Fig. 2). Para permitir o arranque, depois da paragem de emergência, é necessário desarmar o botão de paragem de emergência fazendo-o rodar no sentido das setas marcadas no botão, depois de ter verificado que as condições de emergência desapareceram.

## 9. Cabo de içamento

Numa das extremidades, o cabo do minifor™ comporta um gancho de segurança montado num elo do cabo equipado com um terminal e cravado numa manga metálica (ver Fig. 17). A outra extremidade é soldada e esmerilhada. Deve ser mantida soldada, arredondada e sem asperezas (ver Fig. 18).

Para garantir a segurança de uso dos aparelhos Minifor, é essencial utilizá-los exclusivamente com o cabo minifor™ concebido especialmente para estes aparelhos, de diâmetro 6.5 mm.

A utilização de cabo deteriorado ou não adaptado ao aparelho constitui o principal risco de acidente e de avaria. Por isso é necessário vigiar constantemente o bom estado do cabo e eliminar imediatamente qualquer cabo que apresente sinais de deterioração como deformação, dobra ou ruptura de fios (Fig. 19). Qualquer cabo cujo desgaste reduziu o diâmetro nominal de 10 % ou que comporte mais de 10 fios cortados em 200 mm de comprimento deve ser eliminado. Norma ISO 4309 (Medir como indicado na Fig. 20).

Não expor o cabo a uma temperatura superior a 100°C nem à agressão de agentes mecânicos ou químicos.

Armazenar o cabo enrolado numa bobina, protegido da humidade e depois de o limpar e lubrificar correctamente em todo o comprimento. Não utilizar massa ou óleo que contenham bissulfureto de molibdénio nem aditivos grafitados.

## 10. Manutenção

A manutenção do aparelho consiste em controlar o bom estado, limpá-lo e mandá-lo controlar periodicamente (pelo menos uma vez por ano) por

um reparador autorizado TRACTEL®. Nenhuma lubrificação do aparelho será a efectuar pelo utilizador. (Para a manutenção do cabo de içamento ver capítulo 9). Verificar se o parafuso de fixação do gancho de suspensão do aparelho e a porca de freio de fixação da pega estão sempre apertados convenientemente. Trocar se necessário.

**Qualquer deterioração aparente do aparelho e do equipamento, designadamente dos ganchos, cabo de içamento e condutores eléctricos deve ser objecto de uma reparação antes de utilizar de novo.**



### IMPORTANTE

A abertura do aparelho, excepto para substituir o fusível na caixa eléctrica, só deve ser efectuada por um reparador autorizado da rede TRACTEL®.

## 11. minifor™ com cadernal (fig. 25.c)

### 11.1. Descrição

Um kit de cadernal minifor™ pode ser montado apenas nos modelos minifor™ TR10/TR30/TR30S/TR50/TR110. Esta montagem permite duplicar a capacidade (carga máxima de utilização) do aparelho (excepto modelo TR 50). Pelo contrário, a velocidade fica diminuída de metade.

O minifor™ só deve ser equipado com cadernal com o kit de cadernal minifor™. Não deve ser acrescentado nenhum sistema complementar.

O kit de cadernal minifor™ comporta (Fig. 21):

- Um dispositivo de amarração do troço portador.
- Uma polia de cadernal com gancho de lingueta como padrão (ou gancho de auto-bloqueio como opção) equipada com uma mola de fim de curso superior,
- Um manual de montagem.

**Este kit deve ser utilizado unicamente para equipar um minifor™ com um cadernal.**

### 11.2. Montagem

O utilizador deve recordar que no caso de uso do cadernal, o comprimento necessário de cabo é pelo menos o dobro da altura de içamento mais cerca de 2 m sendo um metro de troço frouxo aparente.

A mola de fim de curso deslizante sobre a polia de cadernal foi prevista para substituir o batente de fim de curso superior entregue com o cabo. No entanto, quando se deseja limitar o curso para cima, é possível acrescentar o batente de fim de curso superior standard, a colocar entre a roldana e a entrada de cabo do aparelho marcada por uma seta.



### IMPORTANTE

No caso de uso do cadernal, duplicar a carga máxima de utilização a levar em conta para os cálculos de segurança.

**NOTA:** Ter o cuidado de montar a polia de cadernal de maneira a que a mola de fim de curso deslizante fique situada no cabo entre a polia e a entrada de cabo do aparelho. Ver manual de instruções do kit de cadernal. A figura 25 mostra as diferentes configurações do Minifor.

**NOTA:** Levando em conta os riscos de emaranhar os troços do cabo de içamento, quando o minifor™ está equipado com cadernal só é aconselhável utilizá-lo para o içamento vertical directo (Fig. 5).

### 11.3. Manobra

Durante a manobra com o sistema de cadernal, o operador prestará um cuidado especial para que a carga não rode, de modo a evitar o emaranhar dos três troços do cabo (dois troços carregados + troço frouxo). Parar imediatamente o movimento da carga se o troço frouxo ficar emaranhado com os outros troços e soltá-lo antes de retomar o movimento.

Para mais pormenores sobre o uso do minifor™ com cadernal, consultar o manual de instruções fornecido com o kit de cadernal minifor™.

## 12. minifor™ especiais

### 12.1. minifor™ TR10/TR30 com enrolador integrado

Os modelos TR10/TR30 podem ser fornecidos em opção equipados com um enrolador de cabo com chamada por mola, guarnecido com o cabo equipado de dois comprimentos conforme o pedido: 20, 27 ou 40 m. (Fig. 25.d)

Este equipamento permite suprimir a presença de um "troço frouxo" de comprimento variável.

O conjunto é fornecido com os dois batentes de fim de curso superior e inferior montados no cabo. O gancho do cabo está provido de um lastro. Este lastro é indispensável e não deve ser retirado.

O enrolador deve ser montado na fábrica. O utilizador pode enviar à Tractel® um aparelho comprado anteriormente para mandar montar este enrolador.

O aparelho deve ser instalado e utilizado de modo que o enrolador possa rodar livremente sem atrito contra nenhum obstáculo exterior.



### IMPORTANTE

O minifor™ equipado com um enrolador não deve ser utilizado em apoio numa plataforma (risco de atrito).

### 12.2. minifor™ com telecomando rádio HF (Fig. 25.b)

Todos os modelos de minifor™ podem ser fornecidos em opção equipados com um dispositivo de telecomando constituído por um emissor de comando portátil (Fig. 22.a) e um receptor situado no aparelho (Fig. 22.b). O emissor funciona com bateria. Este dispositivo permite comandar à distância a subida, a descida e a paragem do aparelho, sem cabo de comando. Funciona por transmissão de ondas rádio HF codificadas.

A codificação de cada aparelho pode ser modificada pelo utilizador, principalmente para o caso de utilização de vários aparelhos de telecomando nas mesmas instalações.

As teclas do emissor e do receptor devem estar em posição de codificação idêntica. Consultar os documentos do construtor do telecomando, fornecidos com o aparelho.

Recomenda-se com insistência que o minifor™ telecomandado seja manobrado sempre com a carga à vista. De outro modo, devem ser tomadas disposições adequadas para excluir os riscos não controlados que podem ocorrer.

**N.B.:** A caixa do emissor deve ser manipulada e conservada com cuidado pois pode ficar deteriorada com os choques.

**NOTA:** Não havendo modificação da codificação, qualquer manipulação do emissor provocará a entrada em movimento idêntico e quase simultâneo de todos os aparelhos com telecomando que se encontrem na mesma instalação e ao alcance do comando.

**NOTA:** Quando o transmissor estiver direcionado para a parte frontal do receptor, o alcance rádio será de 500 m em campo aberto.

Este alcance pode no entanto ser alterado em outra situação, devido nomeadamente:

- à presença de obstáculos,
- à existência de perturbações eletro magnéticas,
- a certas condições atmosféricas.

No caso de dificuldades ou de utilização particular, consultar a rede Tractel®.

**NOTA:** Durante a manobra, é necessário levar em consideração um ligeiro tempo de reacção do sistema. A manobra de vários aparelhos a partir do mesmo emissor não permite então uma sincronização rigorosa.

Este dispositivo de telecomando está autorizado em França pela autoridade de regulação das telecomunicações (ART) sem obrigatoriedade de licença individual. Não deve ser feita nenhuma modificação neste dispositivo de telecomando.

A utilização do minifor™ com telecomando fora de França está sujeita a uma verificação de compatibilidade das ondas rádio com a regulamentação local.

Os minifor™ telecomandados não comportam a caixa de botões ligada por cabo de comando. (Opção a pedido).

### 13. Contraindicações de uso

A utilização dos aparelhos minifor™ conforme as indicações deste manual dá toda a garantia de segurança. Contudo, é útil advertir o operador contra as seguintes manipulações erradas:

#### É PROIBIDO:

- Utilizar um aparelho Minifor, mesmo ocasionalmente, para o içamento de pessoas.
- Utilizar um aparelho minifor™ para outras operações além das para que se destina ou segundo esquemas de montagem diferentes dos descritos neste manual.
- Utilizar um aparelho além da sua carga máxima de utilização.
- Proceder à instalação do aparelho em condições perigosas para o operador.
- Amarrar a carga ao gancho do aparelho e o gancho do cabo ao ponto fixo.
- Amarrar o aparelho pela pega.
- Pôr o aparelho em serviço sem verificar a presença correcta dos dois batentes de fim de curso.
- Ligar o aparelho numa tomada sem se certificar da conformidade do aparelho com a corrente fornecida e da presença no circuito dos dispositivos de segurança eléctrica regulamentares.
- Fixar o aparelho numa estrutura (excepto o caso descrito no capítulo 4.2) ou impedir o seu auto-alinhamento no cabo.
- Equipar com cadernal um aparelho por meios diferentes do kit de cadernal Minifor.
- Fazer deslizar uma carga no chão por um aparelho não situado no alinhamento do deslocamento da carga.

- Forçar a manobra no caso de bloqueio do cabo no ou contra o aparelho.
- Manobrar um aparelho em alimentação trifásica com comandos invertidos em relação ao sentido indicado.
- Aplicar uma carga no troço frouxo do cabo de içamento.
- Utilizar em apoio um aparelho com cadernal.
- Utilizar o cabo de içamento como meio de prender a carga.
- Deixar a carga em balanço debaixo do aparelho.
- Estacionar ou deslocar-se debaixo da carga.

### 14. Marcação

- 1 : Marcação de certificação (p. ex.: CE, etc.)
- 2 : Tipo de aparelho
- 3 : Carga de rutura min. do cabo
- 4 : Carga máxima de utilização
- 5 : Potência acústica garantida
- 6 : Tensão do motor
- 7 : Velocidade de subida e de descida
- 8 : Consultar as instruções de uso e de manutenção
- 9 : Ano de fabrico
- 10 : Potência do motor
- 11 : N.º de série
- 12 : Frequência do motor
- 13 : Diâmetro do cabo
- 14 : Nome e morada do fabricante
- 15 : Número de fases
- 16 : Classificação F.E.M.



This machinery fulfils all the relevant provisions of the Supply of Machinery (Safety) Regulations 2008 (SI 2008/1597) as amended (SI 2011/1042, SI 2011/2157, SI 2019/696)

M. Nicolas EMERY

Managing Director TSAS, duly authorised  
Romilly-sur-Seine, 25.02.2021

**Manufacturer**

Tractel S.A.S.  
RD 619, Saint-Hilaire-sous-Romilly  
F – 10102 Romilly-sur-Seine  
Tel +33 (0) 325 21 07 00 /Fax +33 (0) 325 21 07 11  
[info.tsas@tractel.com](mailto:info.tsas@tractel.com)

**Authorised to compile the technical file**

Tractel UK Ltd  
Old Lane Halfway  
UK – S20 3GA Sheffield  
Tel +44 (0) 114 248 22 66  
[sales.uk@tractel.com](mailto:sales.uk@tractel.com)



DECLARATION OF CONFORMITY  
 DECLARATION DE CONFORMITE  
 DECLARACIÓN DE CONFORMIDAD  
 DICHIARAZIONE DI CONFORMITÀ  
 KONFORMITÄTSEKTLÄRUNG  
 CONFORMITEITSVERKLARING  
 DECLARAÇÃO DE CONFORMIDADE  
 OVERENSSTEMMELSESERKLÆRING  
 VASTAAVUUSVAKUUTUS  
 SAMSVARSERKLÆRING



FÖRSÄKRAN OM ÖVERENSSTÄMMELSE  
 ΔΗΛΩΣΗ ΣΥΜΜΟΡΦΩΣΗΣ  
 DEKLARACJA ZGODNOŚCI  
 СЕРТИФИКАТ СООТВЕТСТВИЯ  
 MEGFELELŐSÉGI NYILATKOZAT  
 PROHLÁ-ENÍ O SHODU  
 ДЕКЛАРАЦИЯ ЗА СЪОТВЕТСТВИЕ  
 DECLARATIE DE CONFORMITATE  
 VYHLÁSENIE O ZHODE  
 IZJAVA O USTREZNOSTI



**TRACTEL S.A.S.**  
 RD 619, Saint-Hilaire-sous-Romilly, F-  
 10102 ROMILLY-SUR-SEINE  
 T : 33 3 25 21 07 00



represented by / représentée par / representado por / rappresentato da / vertreten durch / vertegenwoordigd door / representada por / repræsenteret af / edustajana / representert ved / företråds av / εκπροσωπούμενη απτι / reprezentowany przez / в лице / képviselő / zastoupená / представитель / reprezentat de catre / zastúpená / ki ga predstavlja

**M. Nicolas EMERY**

TRACTEL S.A.S.  
 RD 619, Saint-Hilaire-sous-Romilly,  
 F-10102ROMILLY-SUR-SEINE

General manager / Directeur Général / gerente general / Direttore generale / Generaldirektor / Algemeen manager / Director Geral / Daglig leder / Toimitusjohtaja / Daglig leder / VD / Γενικός διευθυντής / Główny menadżer / Главный управляющий / Vezérigazgató / Generální ředitel / Управител / Manager general / Generalný riaditeľ / Generalni direktor

Also responsible for technical documentation / Aussi responsable de la documentation technique / También responsable de la documentación técnica / Responsabile anche della documentazione tecnica / Auch verantwortlich für die technische Dokumentation / Tevens verantwoordelijk voor technische documentatie / Também responsável pela documentação técnica / Også ansvarlig for tekniskdokumentation / Vastaa myös teknisestä dokumentaatiosta / Også ansvarlig for teknisk dokumentasjon / Ansvarar också för teknisk dokumentation / Επίσης υπεύθυνος για την τεχνική τεκμηρίωση / Odpowiada również za dokumentację techniczną / Также отвечает за техническую документацию / Felelős a műszaki dokumentációért is / Zodpovídá také za technickou dokumentaci / Отговаря и за техническата документация / De asemenea, responsabil pentru documentația tehnică / Zodpovedá aj za technickú dokumentáciu / Odgovorna tudi za tehnično dokumentacijo

Saint Hilaire sous Romilly  
 Le 25/02/2021



<b>E N</b>	<b>CERTIFIES THAT:</b> The equipment designated opposite is compliant with the technical safety rules applicable on the initial date of marketing in the EUROPEAN UNION by the manufacturer. <b>MEASURES APPLIED:</b> See below	<b>S E</b>	<b>INTYGAR ATT:</b> utrustningen som avses på motstående sida överensstämmer med de tekniska säkerhetsregler som är tillämpliga när produkten släpps på Europeiska unionens marknad. <b>GÄLLANDE BESTÄMMELSER:</b> Se ovan
<b>F R</b>	<b>CERTIFIE QUE :</b> L'équipement désigné ci-contre est conforme aux règles techniques de sécurité qui lui sont applicables à la date de mise sur le marché de l'UNION EUROPÉENNE par le fabricant. <b>DISPOSITIONS APPLIQUÉES :</b> Voir ci-dessous	<b>G R</b>	<b>ΒΕΒΑΙΩΝΕΙ ΟΤΙ:</b> Ο εξοπλισμός που αναφέρεται δίπλα είναι σύμφωνος προς τους τεχνικούς κανόνες ασφαλείας που ισχύουν κατά την ημερομηνία διάθεσής του στην αγορά της ΕΥΡΩΠΑΪΚΗΣ ΕΝΩΣΗΣ από τον κατασκευαστή. <b>ΙΣΧΥΟΥΣΕΣ ΔΙΑΤΑΞΕΙΣ:</b> Βλέπε παρακάτω
<b>E S</b>	<b>CERTIFICA QUE:</b> El equipo designado al lado es conforme con las reglas técnicas de seguridad que le son aplicables en la fecha de comercialización de la UNIÓN EUROPEA por el fabricante. <b>DISPOSICIONES APLICADAS:</b> Ver abajo	<b>P L</b>	<b>ZASWIADCZA, ŻE:</b> Sprzęt określony na odwrocie odpowiada technicznym regułom bezpieczeństwa stosującym się do niego w dniu wprowadzenia przez producenta na rynek UNII EUROPEJSKIEJ. <b>STOSOWANE PRZEPISY:</b> Patrz niżej
<b>I T</b>	<b>CERTIFICA CHE:</b> L'equipaggiamento designato a fianco è conforme alle regole tecniche di sicurezza ad esso applicabili alla data di messa, dal costruttore, sul mercato dell'UNIONE EUROPEA. <b>DISPOSIZIONI APPLICABILI:</b> Vedi soprastante	<b>R U</b>	<b>УДОСТОВЕРЯЕТ СЛЕДУЮЩЕЕ:</b> названное оборудование соответствует применимым к нему техническим правилам безопасности, действующим на момент его выпуска производителем на рынок ЕВРОПЕЙСКОГО СЪЮЗА. <b>ПРИМЕНИМЫЕ ПОЛОЖЕНИЯ:</b> См. ниже
<b>D E</b>	<b>ERKLÄRT, DASS:</b> Die gegenüber bezeichnete Ausrüstung den technischen Sicherheitsbestimmungen entspricht, die zum Zeitpunkt des Inverkehrbringens in der EUROPÄISCHEN UNION durch den Hersteller für die Ausrüstung gelten. <b>ANGEWENDETE VORSCHRIFTEN:</b> Siehe unten	<b>H U</b>	<b>TANÚSÍTJA, HOGY:</b> a szemközt megnevezett felszerelés megfelel a gyártó által az EURÓPAI UNIÓŃ belüli forgalmazás megkezdésének időpontjában érvényben lévő vonatkozó műszaki biztonsági szabályoknak. <b>ALKALMAZOTT RENDELKEZÉSEK :</b> Lásd alább
<b>N L</b>	<b>VERKLAART DAT:</b> De in hieronder beschreven uitrusting conform de technische veiligheidsvoorschriften is die van toepassing zijn op de datum van de marktintroductie in de EUROPESE UNIE door de fabrikant. <b>TOEGEPASTE SCHIKKINGEN:</b> Zie hieronder	<b>C Z</b>	<b>POTVRZUJE, ŽE:</b> Niže uvedené zařízení je v souladu s technickými pravidly bezpečnosti platnými ke dni jeho uvedení výrobem na trh EVROPSKÉ UNIE. <b>PLATNÁ USTANOVENÍ:</b> VViz níže
<b>P T</b>	<b>CERTIFICA QUE:</b> O equipamento designado ao lado satisfaz as regras técnicas de segurança aplicáveis na data da introdução no mercado da UNIÃO EUROPEIA pelo fabricante. <b>DISPOSIÇÕES APLICADAS:</b> Ver abaixo	<b>B G</b>	<b>УДОСОВЕРЯВА, ЧЕ:</b> описаното насреща съоръжение съответства на приложимите за него технически правила за безопасност към датата на пускането му на пазара на ЕВРОПЕЙСКИЯ СЪЮЗ от производителя. <b>ПРИЛОЖИМИ РАЗПОРЕДБИ:</b> Виж по-долу
<b>D K</b>	<b>ERKLÆRER AT:</b> Udstyret betegnet på modstående side er i overensstemmelse med de gældende tekniske sikkerhedsforskrifter på den dato, hvor fabrikanten har markedsført det i den EUROPÆISKE UNION. <b>GÆLDENDE BESTEMMELSER:</b> Se nedenfor	<b>R O</b>	<b>CERTIFICĂ FAPTUL CĂ:</b> Echipamentul menționat alături este conform normelor tehnice de securitate aplicabile la data lansării pe piața UNIUNII EUROPENE de către producător. <b>DISPOZIȚII APLICATE :</b> A se vedea mai jos
<b>F I</b>	<b>VAKUUTTAA, ETTÄ:</b> laite, johon tässä asiakirjassa viitataan täyttää tekniset turvamääräykset sinä päivänä, jona valmistaja tuo tuotteen myyntiin Euroopan unionin markkinoille. <b>SOVELLETTAVAT MÄÄRÄYKSET:</b> Katso alta	<b>S K</b>	<b>POTVRDUJE, ŽE:</b> Nižšie uvedené zariadenie je v súlade s technickými pravidlami bezpečnosti platnými ku dňu jeho uvedenia výrobcom na trh EURÓPSKEJ UNIE. <b>PLATNÉ USTANOVENIA:</b> Pozrite nižšie
<b>N O</b>	<b>SERTIFISERER AT:</b> Det udstyret som omtales på motsatt side er i overensstemmelse med de tekniske sikkerhetsregler som gjelder på det tidspunktet som fabrikanten setter utstyret i drift på markedet i DEN EUROPÆISKE UNION. <b>GJELDENDE NORMER:</b> Se under	<b>S I</b>	<b>POTRJUJE, DA:</b> je opisana oprema skladna s tehničnimi pravili na področju varnosti, ki veljajo zanjo z dnem, ko jo proizvajalec pošlje na tržišče EVROPSKE UNIE. <b>VELJAVNA DOLOČILA:</b> glej spodaj

 2006/42/CE

 2006/95/CE

 2004/108/CE

 2000/14/CE

DESIGNATION / DÉSIGNATION / DESIGNACIÓN / DESIGNAZIONE / BEZEICHNUNG/ BESCHRIJVING / DESIGNAÇÃO / BETEGNELSE / NIMITYS / BENEVNELSE / BETECKNING / ΟΝΟΜΑΣΙΑ / NAZWA / НАИМЕНОВАНИЕ / MEGNEVEZÉS / NÁZEV / НАИМЕНОВАНИЕ / DENUMIRE / NÁZOV / OPIS

Portable electric winch with passing cable / Treuil électrique portable a cable passant / Cabrestante electrico portatil con cable pasante / Argano elettrico portatile a cavo passante / Tragbare Motorseilwinde mit durchlaufendem Seil / Draagbare elektrische takel met doorgaande kabel / Guincho electrico portatil de cabo passador / Barbart elektrisk hejsespil med gennemgaende kabel / Kannettava sahkokayttoinen kaapelivintturi / Barbar vinsj med passerende wire/ Bärbar elvinsch med genomgående ställina / Φ\_ρη\_η\_ ηλεκτρικ\_ \_αρ\_ύλ\_κ\_μ\_ε\_ δι\_ερ\_μ\_εν\_ συρματ\_σ\_ι\_ν\_ / Przenośna wciągarka elektryczna z przechodzącą linią / Электрический переносной подъемник с подачей троса / Elektromos, hordozható vonszoló / Prenosny elektricky navijak s prevlečeným lanom / реносима електрическа лебедка с преминаващо въже / Trolliu electric portabil cu cablu de trecere / Prenosný elektrický navijak s prevlečeným lanom / Električnokabelsko prenosno vreteno

APPLICATION / APPLICATION / APLICACIÓN / APPLICAZIONE / ANWENDUNG / TOEPASSING / APLICAÇÃO / ANVENDELSE / KÄYTTÖ / BRUKSOMRÅDE / ANVÄNDNING / ΕΦΑΡΜΓΗ / ZASTOSOWANIE / ПРИМЕНЕНИЕ / ALKALMAZÁSI TERÜLET / APLIKACE / ПРИЛОЖЕНИЕ / DOMENIU DE APLICARE / APLIKÁCIA / UPORABA

Equipment traction and hoisting / Traction et levage de materiel / Traccion y elevacion de material / Trazione e sollevamento di materiale / Ziehen und Heben von Material / Tractie en hijsen van materiaal / Traccao e elevacao de material / Trakning og ophejsning af materiel / Materiaalin veto ja nosto / Trekking og heving av materiell / Drag och lyft av materiel / Έλξη και ανύψωση υλικών / Transport i podnoszenie sprzętu / \_яга и подъем материалов / Anyagok vontatása és emelése / Ťahanie a zdvihanie materialu / \_еглене и повдигане на товари / Tractare si ridicare de material / Eahanie a zdvihanie materialu / Vleka in dviganje materiala

MAKE / MARQUE / MARCA / MARCA / MARKE / MERK / MARCA / MÆRKE / MERKKI / MERKE / MÄRKE / ΕΜΠΟΡΙΚΟ ΣΗΜΑ / MARKA / ΦΙΡΜΑ / MĀRKA / ZNAČKA / МАРКА / MARCA / ZNAČKA / ZNAMKA

# minifor™

TYPE / TYPE / TIPO / TIPO / TYP / TYPE / TIPO / TYPE / ΤΥΠΟΙ / TYPE / TYP / ΤΥΠΟΣ / TYP / ТИП / TÍPUS / TYP / ТИП / ТИП / TYP / ТИП

TR125SY

TR10

TR30

TR30S

TR50

TR55

TR110



20 m

27 m

40 m



SERIAL NO / N° DE SÉRIE / N° DE SÉRIE / Nr. DI SERIE / SERIEN-NR / SERIENUMMER / N° DE SÉRIE / SERIENUMMER / SARJANUMERO / SERIENUMMER / SERIENR / ΣΕΙΡΙΑΚΟΣ ΑΡΙΘΜΟΣ / Nr SERII / N° СЕРИИ / SZÉRIASZÁM / VÝROBNÍ ČÍSLO / СЕРИЕН N° / NR. DE SERIE / VÝROBNÉ ČÍSLO / SERIJSKA .T.

## 15. Anomalias de funcionamento

Anomalia	Causa possível	Ação
1 - Bloqueio do cabo	<ul style="list-style-type: none"> <li>• Deformação do cabo no interior ou em contacto do aparelho.</li> <li>• Engate do troço frouxo em volta de outro troço ou de um obstáculo.</li> <li>• Engate da carga em subida.</li> </ul>	<ul style="list-style-type: none"> <li>• Parar imediatamente a manobra sem insistir.</li> <li>• Retomar a carga por outro meio que ofereça as garantias regulamentares de segurança e retirar o aparelho sem carga. Tentar fazer sair o cabo do aparelho. Se não for possível, enviar o aparelho com o cabo a um reparador autorizado TRACTEL®.</li> <li>• Se aparecer uma anomalia no cabo, eliminá-lo.</li> <li>• Retirar imperativamente o troço frouxo e verificar o cabo antes de recomeçar o movimento.</li> <li>• Retirar a carga e verificar o cabo antes de recomeçar o movimento.</li> </ul>
2 - Ausência de rotação do motor	<ul style="list-style-type: none"> <li>• Paragem de emergência activada.</li> <li>• Alavanca de fim de curso no aparelho, accionada.</li> <li>• Fusível queimado.</li> <li>• Alavanca de fim de curso bloqueada ou quebrada.</li> <li>• Alimentação cortada, tomada ou conector defeituoso.</li> <li>• Contactos ou caixa de botões defeituosos.</li> <li>• O motor, depois de um uso intensivo, está demasiado quente e a sonda térmica disparou (motor monofásico 230 V).</li> <li>• Fases invertidas (motor trifásico).</li> </ul>	<ul style="list-style-type: none"> <li>• Desarmar o botão de paragem de emergência (rotação).</li> <li>• Se a paragem foi provocada pela intervenção do batente de fim de curso na alavanca, manobrar em sentido inverso.</li> <li>• Substituir o fusível (fusível calibre 2A protecção do comando).</li> <li>• Enviar o aparelho a um reparador autorizado TRACTEL®.</li> <li>• Reparar por um electricista.</li> <li>• Enviar o aparelho a um reparador autorizado TRACTEL®.</li> <li>• Aguardar o arrefecimento.</li> <li>• Ver capítulo 5.3.</li> </ul>
3 - Rotação do motor num único sentido	<ul style="list-style-type: none"> <li>• Fim de curso danificado.</li> <li>• Contacto ou caixa de botões defeituosos.</li> <li>• Bobina de contacto queimada.</li> </ul>	<ul style="list-style-type: none"> <li>• Enviar o aparelho a um reparador autorizado TRACTEL®.</li> </ul>

PT



Anomalia	Causa possível	Acção
4 - Rotação baixa do motor com "estalidos"	<ul style="list-style-type: none"> <li>• Rede de alimentação defeituosa.</li> <li>• Forte queda de tensão.</li> <li>• Travão electromagnético mantém-se fechado.</li> <li>• Falta de binário no arranque (condensador permanente defeituoso ou corte de uma espiral da bobinagem motor).</li> <li>• Redutor ou travão defeituoso.</li> <li>• Sobrecarga.</li> </ul>	<ul style="list-style-type: none"> <li>• Verificar a tensão de alimentação</li> <li>• Enviar o aparelho a um reparador autorizado TRACTEL® se a tensão de alimentação ou a sobrecarga não estiver em causa.</li> <li>• Reduzir a carga ou instalar um cadernal.</li> </ul>
5 - Impossibilidade de introduzir o cabo	<ul style="list-style-type: none"> <li>• Cabo de diâmetro excessivo.</li> <li>• Ponta de cabo defeituosa.</li> <li>• Deformação do cabo.</li> <li>• Para um modelo trifásico, comandos invertidos.</li> <li>• Peças de guia interno deterioradas.</li> </ul>	<ul style="list-style-type: none"> <li>• Verificar o diâmetro. Substituir por um cabo de diâmetro correcto.</li> <li>• Se for o caso, soldar com maçarico a ponta do cabo. Esmerilar e arredondar.</li> <li>• Suprimir a parte deformada. Cortar, soldar e esmerilar a extremidade cortada.</li> <li>• Accionar o botão "Descida". Se o cabo se insere normalmente, accionar o botão «Subida» para o retirar e inverter as fases na tomada preparada para o efeito.</li> <li>• Na ausência das causas supra, enviar o Minifor™ a um reparador autorizado TRACTEL®.</li> </ul>
6 - O cabo desliza ou patina na subida	<ul style="list-style-type: none"> <li>• Cabo de diâmetro demasiado baixo.</li> <li>• Desgaste do cabo superior a 10% do diâmetro nominal.</li> <li>• Forte desgaste do sistema de aperto.</li> </ul>	<ul style="list-style-type: none"> <li>• Verificar o diâmetro do cabo como indicado no manual. Se o cabo estiver não conforme ou gasto, eliminá-lo e tomar um cabo novo.</li> <li>• Se o cabo estiver normal, enviar o Minifor™ a um reparador autorizado TRACTEL®.</li> </ul>
7 - A descida da carga não é mais travada: o cabo desliza apesar da paragem do motor	<ul style="list-style-type: none"> <li>• Travão desregulado.</li> <li>• Calço de travão gasto.</li> <li>• Calço de travão embebido em óleo ou massa.</li> <li>• Sobrecarga.</li> </ul>	<ul style="list-style-type: none"> <li>• Regular o entreferro.</li> <li>• Enviar o aparelho a um reparador autorizado TRACTEL®.</li> </ul>
8 - O motor pára durante a manobra	<ul style="list-style-type: none"> <li>• O motor, depois de um uso intensivo, está demasiado quente e a sonda térmica disparou.</li> </ul>	<ul style="list-style-type: none"> <li>• Aguardar o arrefecimento.</li> </ul>

## NORTH AMERICA

### CANADA

#### Tractel Ltd.

1615 Warden Avenue  
Toronto, Ontario M1R 2T3,  
Canada  
Phone: +1 800 465 4738  
Fax: +1 416 298 0168  
Email: marketing.swingstage@  
tractel.com

11020 Mirabeau Street  
Montréal, QC H1J 2S3, Canada  
Phone: +1 800 561 3229  
Fax: +1 514 493 3342  
Email: tractel.canada@tractel.  
com

### MÉXICO

#### Tractel México S.A. de C.V.

Galileo #20, O cina 504.  
Colonia Polanco  
México, D.F. CP. 11560  
Phone: +52 55 6721 8719  
Fax: +52 55 6721 8718  
Email: tractel.mexico@tractel.  
com

### USA

#### Tractel Inc.

51 Morgan Drive  
Norwood, MA 02062, USA  
Phone: +1 800 421 0246  
Fax: +1 781 826 3642  
Email: tractel.usa-east@tractel.  
com

168 Mason Way  
Unit B2  
City of Industry, CA 91746, USA  
Phone: +1 800 675 6727  
Fax: +1 626 937 6730  
Email: tractel.usa-west@  
tractel.com

#### BlueWater L.L.C

4064 Peavey Road  
Chaska, MN 55318, USA  
Phone: +1 866 579 3965  
Email: info@bluewater-mfg.  
com

#### Fabenco, Inc

2002 Karbach St.  
Houston, Texas 77092, USA  
Phone: +1 713 686 6620  
Fax: +1 713 688 8031  
Email: info@safetygate.com

## EUROPE

### GERMANY

Tractel Greifzug GmbH  
Scheidtbackstrasse 19-21  
51469 Bergisch Gladbach,  
Germany  
Phone: +49 22 02 10 04-0  
Fax: +49 22 02 10 04 70  
Email: info.greifzug@tractel.  
com

### LUXEMBOURG

Tractel Secalt S.A.  
Rue de l'Industrie  
B.P 1113 - 3895 Foetz,  
Luxembourg  
Phone: +352 43 42 42-1  
Fax: +352 43 42 42-200  
Email: secalt@tractel.com

### SPAIN

Tractel Ibérica S.A.  
Carretera del Medio, 265  
08907 L'Hospitalet del  
Llobregat Barcelona, Spain  
Phone : +34 93 335 11 00  
Fax : +34 93 336 39 16  
Email: infotib@tractel.com

### FRANCE

Tractel S.A.S.  
RD 619 Saint-Hilaire-sous-  
Romilly  
BP 38 Romilly-sur-Seine  
10102, France  
Phone: +33 3 25 21 07 00  
Email: info.tsas@tractel.com

#### Ile de France Maintenance Service S.A.S.

Zac du Gué de Launay  
77360 Vaires sur Marne,  
France  
Phone: +33 1 56 29 22 22  
E-mail: ifms.tractel@tractel.com

#### Tractel Location Service

Zac du Gué de Launay  
77360 Vaires sur Marne,  
France  
Phone: +33 1 60 36 30 00  
E-mail: info.tls@tractel.com

#### Tractel Solutions S.A.S.

77-79 rue Jules Guesde  
69230 St Genis-Laval, France  
Phone: +33 4 78 50 18 18  
Fax: +33 4 72 66 25 41  
Email: info.tractelsolutions@  
tractel.com

### GREAT BRITAIN

Tractel UK Limited  
Old Lane Halfway  
Sheffield S20 3GA,  
United Kingdom  
Phone: +44 114 248 22 66  
Email: sales.uk@tractel.com

### ITALY

Tractel Italiana SpA  
Viale Europa 50  
Cologno Monzese (Milano)  
20093, Italy  
Phone: +39 02 254 47 86  
Fax: +39 02 254 71 39  
Email: infoit@tractel.com

### NETHERLANDS

Tractel Benelux BV  
Paardeweide 38  
Breda 4824 EH, Netherlands  
Phone: +31 76 54 35 135  
Fax: +31 76 54 35 136  
Email: sales.benelux@tractel.  
com

### PORTUGAL

Lusotractel Lda  
Bairro Alto Do Outeiro  
Armazém, Trajouce, 2785-653  
S. Domingos de Rana, Portugal  
Phone: +351 214 459 800  
Fax: +351 214 459 809  
Email: comercial.lusotractel@  
tractel.com

### POLAND

Tractel Polska Sp. z o.o.  
ul. Byslawska 82  
Warszawa 04-993, Poland  
Phone:+48 22 616 42 44  
Fax:+48 22 616 42 47  
Email: tractel.polska@tractel.  
com

### NORDICS

Tractel Nordics  
(Scanclimber OY)  
Turkkirata 26, FI - 33960  
PIRKKALA, Finland  
Phone: +358 10 680 7000  
Fax: +358 10 680 7033  
E-mail: tractel@scanclimber.  
com

### RUSSIA

Tractel Russia O.O.O.  
Olympiysky Prospect 38, Office  
411, Mytishchi, Moscow Region  
141006, Russia  
Phone: +7 495 989 5135  
Email: info.russia@tractel.com

## ASIA

### CHINA

Shanghai Tractel Mechanical  
Equip. Tech. Co. Ltd.  
2nd oor, Block 1, 3500 Xiupu  
road,  
Kangqiao, Pudong,  
Shanghai, People's Republic  
of China  
Phone: +86 21 6322 5570  
Fax : +86 21 5353 0982

### SINGAPORE

Tractel Singapore Pte Ltd  
50 Woodlands Industrial  
Park E7  
Singapore 757824  
Phone: +65 6757 3113  
Fax: +65 6757 3003  
Email: enquiry@  
tractelsingapore.com

### UAE

Tractel Secalt SA Dubai  
Branch  
Office 1404, Prime Tower  
Business Bay  
PB 25768 Dubai, United Arab  
Emirates  
Phone: +971 4 343 0703  
Email: tractel.me@tractel.com

### INDIA

Secalt India Pvt Ltd.  
412/A, 4th Floor, C-Wing, Kailash  
Business Park, Veer Savarkar  
Road, Parksite, Vikhroli West,  
Mumbai 400079, India  
Phone: +91 22 25175470/71/72  
Email: info@secalt-india.com

### TURKEY

Knot Yapı ve İş Güvenliği San.  
Tic. A.Ş.  
Cevizli Mh. Tugay Yolu CD.  
Nuvo Dragos Sitesi  
A/120 Kat.11 Maltepe  
34846 Istanbul, Turkey  
Phone: +90 216 377 13 13  
Fax: +90 216 377 54 44  
Email: info@knot.com.tr

### ANY OTHER COUTRIES:

#### Tractel S.A.S.

RD 619 Saint-Hilaire-sous-  
Romilly  
BP 38 Romilly-sur-Seine  
10102, France  
Phone: +33 3 25 21 07 00  
Email: info.tsas@tractel.com

