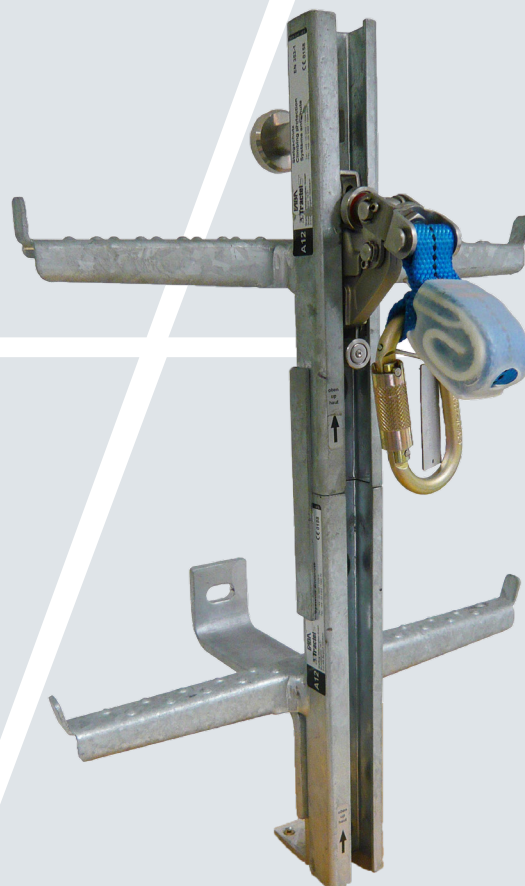


**FABA
Safety ladders**



Catalogue 2022

FABA Safety ladders

Permanent safety ladders

FABA system

EN353-1

The FABA range is a fall arrest system on a rail for vertical movements. The vertical rails are separately available for mounting on an existing ladder or can be supplied with an integrated ladder. The FABA systems include accessories such as rest platforms or access blocking systems. They are built to be adapted to all types of supports. These products can be supplied in galvanized steel, stainless steel or aluminium.

FABA ladders are complete systems in which all components are aligned with each other. The rigid rail allows the user to better control the movement of the slider. Unlike cable systems, several people can climb up the ladder one after the other (with sufficient spacing). Ideal for use over long distances.

The products of the FABA range have been tested to meet the requirements of the European EN 353-1 standard. Areas of application: along towers, chimneys, tanks, bridge piers, masts, antenna supports, access to mines, pits, sludge lagoons, cat walks, dams, tank lorries, cranes, roof terraces, waste water systems, etc.

For more information please contact Tractel.



See our harnesses, especially dedicated and patented for being used with FABA ladders :



HT120



HT Easyclimb



FABA

Fall arresters on rail - (353-1 / 14122:4)

Since 1965, Tractel is offering vertical and horizontal access solutions (FABA systems) based on modular, robust designs.

FABA offers complete solutions and safety rails for safe access to your workplaces at height. A complete range of standard components guarantees a fall protection system according to EN 353-1. FABA fall arrest systems allow safe climbing on

fixed vertical ladders at any height and on horizontal access routes.

Area of application: Towers, fireplaces, pillars, lighting or antenna masts, pylons, chimneys.



FABA System AL2

The FABA AL2 System has been on the market since 2000. It is based on the principle of the FABA A12 System and is suitable for material in anodised aluminum. The design of the safety rail and sliders is asymmetrical and guarantees sliders are always used in the right direction.

- Dimensions rail profile (H-shaped): 48 x 65 x 3-6mm
- Material: Anodised aluminum
- Design: Ladder with a central upright or with additional side uprights or just rail
- Spacing in between stops: 70 mm
- Spacing in between rungs: 280 mm
- Rungs: Straight, inserted and set on the back of the rail
- Ladder width: 414 mm
- Primary lengths: 5600 and 2800 mm
- Adjustment lengths: 560, 840, 1120, 1400, 1680, 1960, 2240, 2520, 3080, 3360, 3640, 3920, 4200, 4480, 4760, 5040 and 5320 mm
- Maximum distance between fixings: 1680 mm for the ladder with central upright, 2520 mm suitable for ladder with side uprights or the rail.

For more information please contact Tractel® .



FABA System A12

The FABA A12 System has been on the market since 1995. It is a logical evolution of the FABA A11 System but a lighter and smaller version. The design of the safety rail and carriages is asymmetrical and guarantees that the carriages are always used in the right direction.

- Dimensions rail profile: 48 x 32 x 3 mm
- Material: Hot-dipped galvanised steel or stainless steel (1.4571)
- Design: Ladder with central upright or just rail
- Spacing in between stops: 40 mm
- Spacing in between rungs: 280 mm
- Rungs: Straight and welded on the back of the rail
- Width of the ladder: 380 mm
- Primary lengths: 5600 and 2800 mm
- Adjustment lengths: 560, 840, 1120, 1400, 1680, 1960, 2240, 2520, 3080, 3360, 3640, 3920, 4200, 4480, 4760, 5040 and 5320 mm
- Maximum distance between fixings: 1400 mm for the ladder and 1960 mm for the rail.

FABA A12 & AL2

Sliders



The slider is mobile component of the FABA system and is attached to the user with a carabiner. All FABA sliders are certified to the latest applicable standard (EN353-1) and comply with the European Regulation 2016/425 (PPE Regulation) with a maximum user weight of 150kg.

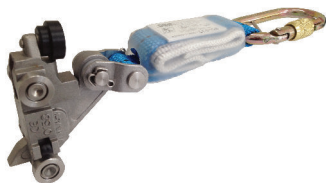
The following sliders are compatible with the FABA system A12 and AL2:

- AL-D
- Grip
- EZ

Each slider is designed for different uses according to the user needs and the following table is aimed at guiding the user's choice.

The safety rail of FABA is C-shaped rail and the sliders are gliding inside the rail. This offers the advantage of compacity of the system and increase the comfort of use as the rail and slider take less place in front of the user.

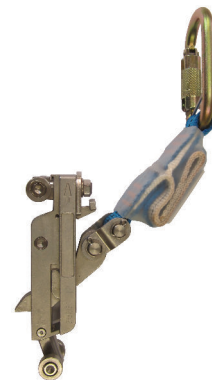
	AL-D	Grip	EZ
Frequency of use			
Occasional	V	-	V
Daily	-	V	V
Application			
Industrial use	V	-	-
Rescuer	-	-	V
Extensive climbing height	-	V	-
Confined access	V	-	V
Features			
Insertable and retrievable and at any location	-	-	V
Anti-reversibility	V	V	V
Compatibility			
A12	V	V	V
AL2	V	V	V
Connector			
Manual locking (M10)	V	-	V
Automatic tri-lock (M23)	V	V	V



AL-D



Grip



EZ



FABA EZ 150kg

FABA EZ, simply said "easy"

- The biggest advantage and differentiator of this slider is its possibility to be inserted and retrieved at any place of a rail or a ladder,
- Thanks to its unique design, you insert or retrieve it with only one hand,
- Developed and compatible with FABA A12 & AL2,
- Introduction is only possible in the correct direction thanks to asymmetric profile,
- Robust and self mechanical locking system,
- Inside sliding,
- Good gliding,
- Available with manual (M10) or trilock connector (M23),
- User up to 150kg

Model	Product Code
FABA™ EZ 150kg M23	513878
FABA™ EZ 150kg M10	513888



FABA AL-D 150kg

The slider FABA AL-D 150kg is conform to the latest applicable standard EN 353-1 and to the European Regulation 2016/425 and is certified for a user weighing up to 150kg.

The slider is certified and compatible with the rail and ladder of FABA A12 galvanized steel or stainless steel and the rail and ladder of FABA AL2 and its related products, the FABA AL2 Mobil and the FABA AL2 Mobil-F.

This rigid vertical fall arrester is tested to stop the fall of one operator, with its tools and equipment, weighing up to 150 kg. It enables several operators to work in safety (each operator having his own FABA AL-D slider) if there are no more than two operators within 10m and at least 3m between them.

In order to provide protection for the user up to the maximum allowed weight, all the products of the system must be HIGH CAPACITY RANGE 150 KG (Attention: the weakest element in the chain always determines the maximum capacity of the entire system).

Model	Product Code
FABA AL-D - M10	514008
FABA™ AL-D - M23	N 514018



● Order products on day 1, will be shipped no later than day 2,

● Order products on day 1, will be shipped no later than day 6. Maximum quantities apply for this service.

○ Available on request. Please enquire about delivery times of these items.

FABA Grip 150kg

The slider FABA Grip 150kg is conform to the latest applicable standard EN 353-1 and to the European Regulation 2016/425 and is certified for a user weighing up to 150kg.

The slider is certified and compatible with the rail and ladder of FABA A12 galvanized steel or stainless steel and the rail and ladder of FABA AL2 and its related products, the FABA AL2 Mobil and the FABA AL2 Mobil-F.

This rigid vertical fall arrester is tested to stop the fall of one operator, with its tools and equipment, weighing up to 150 kg. It enables several operators to work in safety (each operator having his own FABA Grip slider) if there are no more than two operators within 10m and at least 3m between them.

In order to provide protection for the user up to the maximum allowed weight, all the products of the system must be HIGH CAPACITY RANGE 150 KG (Attention: the weakest element in the chain always determines the maximum capacity of the entire system).



Model	Product Code
FABA™ Grip	514408

Harness HT120

EN361



Harness designed for movement (up or down) on structures equipped with an EN 353.1 rail or cable fall arrester device equipped with an approved fall arrest umbilical anti-fallback system attachment point.

The HT120 harness is equipped with an approved fall arrest umbilical attachment point. This attachment point, while being fall arrest approved, provides comfortable support going up or down. HT 120 is the only harness on the market that offers this type of attachment point.

The HT120 harness is particularly adapted for climbing on ladders equipped with a rail-mounted FABA type fall arrester, whether or not including a tractelift climbing aid system.

It's patented design prevents the user from falling backwards in the event of a fall, eliminating the risk of serious back injuries

- 1 dorsal attachment point.
- 2 thoracic attachment points.
- 1 umbilical attachment point.



	S	M	XL
HT120 - Standard Buckles	61702	61712	61722

Order products on day 1, will be shipped no later than day 2,

Order products on day 1, will be shipped no later than day 6. Maximum quantities apply for this service.

Available on request. Please enquire about delivery times of these items.

FABA A12 ladder with fall arrest rail

(353-1 / 14122-4)

Hot-dip galvanised steel version

Model	Length (cm)	Weight (kg)	Product Code
2	560 mm	2,5	501237
3	840 mm	4,05	501257
4	1120 mm	5,4	501297
5	1400 mm	6,7	501317
6	1680 mm	8	501337
7	1960 mm	8,5	501367
8	2240 mm	10,8	501387
9	2520 mm	12,15	501407
10	2800 mm	13,5	501427
11	3080 mm	14,8	501447
12	3360 mm	16,2	501467
13	3640 mm	17,55	501487
14	3920 mm	18,9	501507
15	4200 mm	20,25	501527
16	4480 mm	21,6	501547
17	4760 mm	22,9	501567
18	5040 mm	24,3	501587
19	5320 mm	26,1	501607
20	5600 mm	27	501627

Stainless steel version

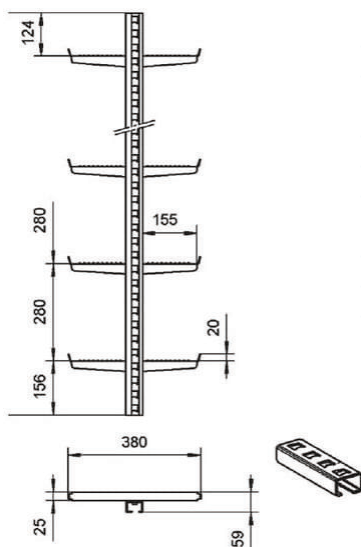
Model	Length (cm)	Weight (kg)	Product Code
2	560 mm	2,7	501247
3	840 mm	4	501267
4	1120 mm	5,4	501307
5	1400 mm	6,75	501327
6	1680 mm	8	501357
7	1960 mm	8,5	501377
8	2240 mm	10,8	501397
9	2520 mm	12,1	501417
10	2800 mm	13,5	501437
11	3080 mm	14,8	501457
12	3360 mm	16,2	501477
13	3640 mm	17,5	501497
14	3920 mm	18,9	501517
15	4200 mm	20,2	501537
16	4480 mm	21,7	501557
17	4760 mm	24	501577
18	5040 mm	24,3	501597
19	5320 mm	24	501617
20	5600 mm	27	501637

Ladder with release facility

Model	Length (cm)	Weight (kg)	Product Code
Hot-dip galvanised	1680 mm	8.1	501288

Ladder with release facility

Model	Length (cm)	Weight (kg)	Product Code
Stainless steel	1680 mm	8.1	501298



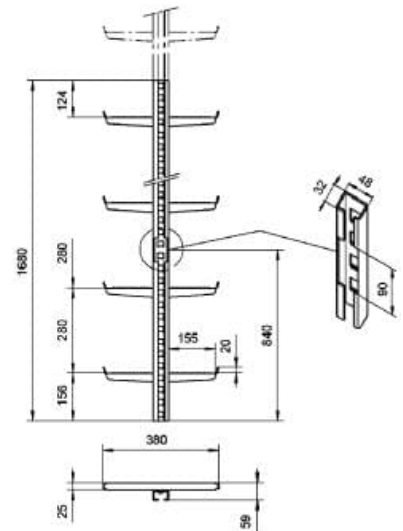
FABA A12 ladder with fall arrest rail.

- Available in various lengths from 560 to 5,600 mm.
- Recommended length up to **2,800mm** for transport optimisation and ease of installation.
- Distance between rungs 280 mm.
- Catching cut-outs in fall arrest rail every 40 mm.
- Rungs with anti-slip surface and 20 mm high lateral safety catch.
- Rungs 155 mm wide on each side.
- Material: Hot-dip galvanised steel or stainless steel
- Standard: EN 353-1, BGV D36, DIN 18799-2

Ladder with release facility

The ladder with release facility enables the comfortable insertion and retrieval of the FABA™ slider at the lower end of the ladder.

The installation of a detachable catch above the release is mandatory to prevent any involuntary retrieval of the slider.



FABA A12 fall arrest rail

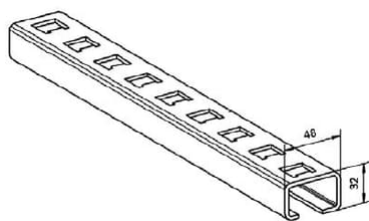
(353-1 / 14122-4)

A12 fall arrest rail made in hot-dip galvanised steel.

Model	Length (cm)	Product Code
2	560 mm	502845
3	840 mm	500038
4	1120 mm	502855
5	1400 mm	502865
6	1680 mm	502875
7	1960 mm	500048
8	2240 mm	502885
9	2520 mm	500058
10	2800 mm	502895
11	3080 mm	500068
12	3360 mm	500078
13	3640 mm	500088
14	3920 mm	500098
15	4200 mm	500108
16	4480 mm	500118
17	4760 mm	500128
18	5040 mm	500138
19	5320 mm	500148
20	5600 mm	500158

A12 fall arrest rail made in stainless steel

Model	Length (cm)	Product Code
2	560 mm	502905
3	840 mm	502915
4	1120 mm	502925
5	1400 mm	502935
6	1680 mm	502945
7	1960 mm	502955
8	2240 mm	502965
9	2520 mm	502975
10	2800 mm	502985
11	3080 mm	502995
12	3360 mm	503005
13	3640 mm	503015
14	3920 mm	503025
15	4200 mm	503035
16	4480 mm	503045
17	4760 mm	503055
18	5040 mm	503065
19	5320 mm	500168
20	5600 mm	503075



FABA A12 fall arrest rail.

- Available in various lengths from 560 to 5,600 mm. Recommended length up to 2,800mm for transport optimisation.
- Catching cut-outs in fall arrest rail every 40 mm.
- Material: Hot-dip galvanised steel or stainless steel
- Standard: EN 353-1, BGV D36, DIN 18799-2.



Order products on day 1, will be shipped no later than day 2.



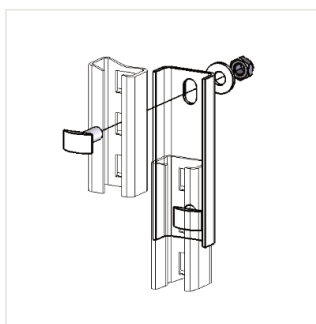
Order products on day 1, will be shipped no later than day 6. Maximum quantities apply for this service.



Available on request. Please enquire about delivery times of these items.

FABA A12

Components



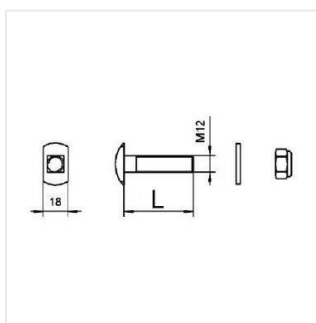
Joint connector

Joint connector between FABA™ A12 ladders or rails.

Materials: Galvanised steel or stainless steel.

Includes set of 2 FABA™ A12 screws.

Model	Product Code
Galvanised	508117
Stainless steel	508137

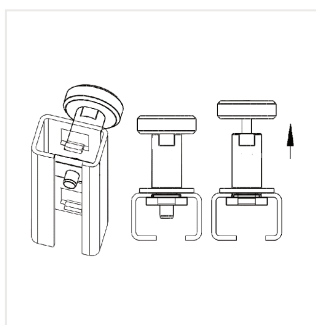


Mounting screws

FABA T-bolt kit made specifically for fixing the FABA™ A12 rail to the different brackets.

- Each kit includes 1 screw with nut and washer.
- Lengths of M12 x 35 mm, x 50 mm and x 65 mm.
- Materials: Stainless steel.

Model	Product Code
M12 x 35 mm	508107
M12 x 50 mm	516137
M12 x 65 mm	516147



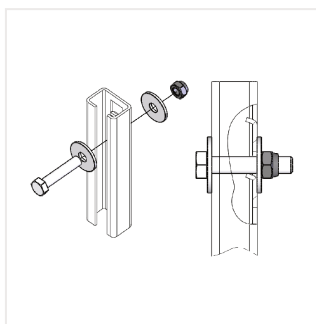
Catch


Catches must be installed on all the entry and exit points of the rails in order to prevent unwanted exiting of a FABA™ slider.


2 types of catch exit:


- Detachable catches must be installed in those locations where the carriage is to be removed.
The catch must be manually unlocked and then automatically closes (spring)
- Permanent catches must be installed in those locations where the carriage is not to be removed.

Model	Product Code
Detachable catch	517185
Permanent catch	508067



 Order products on day 1, will be shipped no later than day 2.

 Order products on day 1, will be shipped no later than day 6. Maximum quantities apply for this service.

 Available on request. Please enquire about delivery times of these items.

FABA A12

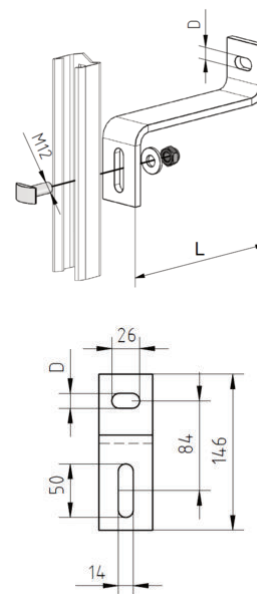
Brackets for ladder and rail

Z bracket

Z bracket for fixing the FABA™ ladder to a sturdy structure.

- Available with holes for wall fixing: $\varnothing = 10.5$ mm and $\varnothing = 14$ mm.
- Supplied with 1x M12 x 35mm screw kit.
- Fixing anchors not included.
- Materials: Galvanised steel or stainless steel.

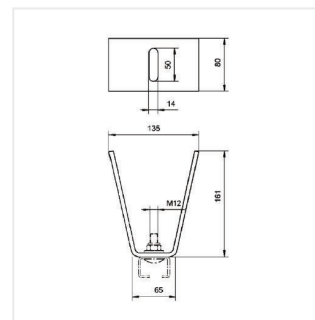
Model	Length (mm)	Product Code
Z bracket $\varnothing 10.5$ mm	161 mm	508087
Z bracket $\varnothing 10.5$ mm	200 mm	527947
Z bracket galva $\varnothing 10.5$ mm	250 mm	520525
Z bracket $\varnothing 14$ mm	161 mm	503418
Z bracket $\varnothing 14$ mm	200 mm	527957
Z bracket galva $\varnothing 14$ mm	250 mm	527095
Z bracket $\varnothing 10.5$ mm	161 mm	503428
Z bracket $\varnothing 14$ mm	161 mm	503438



U bracket for welding

For welding on steel structure by certified welder. Protected against corrosion after welding.
Lengths between 161 and 300mm must be specified at the order
Mounting screws must be ordered separately.

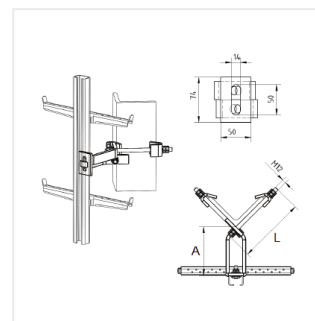
Model	Length (mm)	Product Code
Steel, untreated	160	505455
Steel with welding primer	160	503318
Stainless steel, untreated	160	503308
Hot-dip galvanised steel	160	523767



Bracket for corner profile

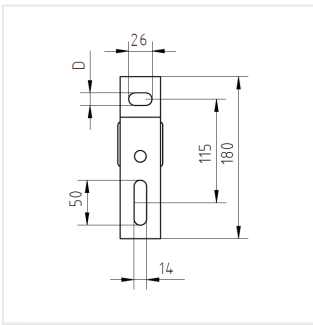
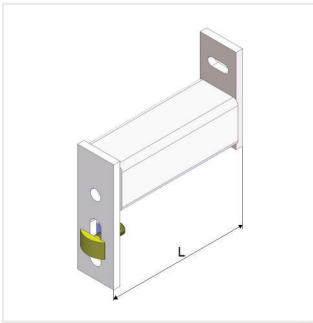
- Fastening of the FABA™ ladder to a corner profile (e.g. a steel lattice mast).
- Select the corresponding bracket according to the dimension of the corner profile.
- For corner profiles between 60 x 60mm up to 250 x 250 mm
- Supplied with 1x screw kit M12 x 35mm.

Corner profile length L (cm)	A=70 mm	A=130 mm	A=160 mm
	Code	Code	Code
60 - 130 mm	529067	503648	513388
130 - 200 mm	529077	503658	513398
200 - 250 mm	529087	503668	513408



FABA A12

Square tube bracket

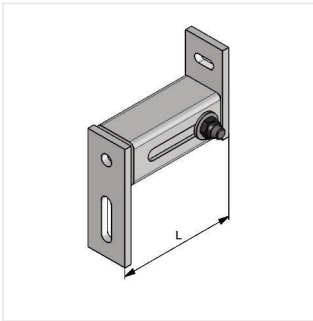


Square tube bracket

The square tube bracket is designed for installation of the FABA™ ladder to a masonry structure.

- Available with holes for wall fixing: $\varnothing = 10.5$ mm and $\varnothing = 14$ mm.
- Supplied with 1x screw kit M12 x 35mm.
- Fixing anchors not included.
- Materials: Galvanised steel or stainless steel.

Model	Material	\varnothing fixing hole	Length
Square tube bracket	$\varnothing 10,5$ mm	161 mm	503558
Square tube bracket	$\varnothing 14$ mm	161 mm	503538
Square tube bracket	$\varnothing 10,5$ mm	161 mm	503568
Square tube bracket	$\varnothing 14$ mm	161 mm	503548
Square tube bracket	$\varnothing 10,5$ mm	200 mm	527967
Square tube bracket	$\varnothing 14$ mm	200 mm	527977
Square tube bracket	$\varnothing 14$ mm	240 mm	518697
Square tube bracket	$\varnothing 14$ mm	291 mm	518737





Adjustable square tube brackets


This adjustable bracket should be used when the distance between the ladder/rail and structure is not constant.

- Available with holes for wall fixing: $\varnothing = 10.5$ mm
- Supplied with 1x screw kit M12 x 35mm.
- Fixing anchors not included.
- Materials: Galvanised steel or stainless steel.

Model	Length	Product Code
Ajustable square bracket	140 - 210 mm	272817
Ajustable square bracket	140 - 210 mm	272827

 Order products on day 1, will be shipped no later than day 2,

 Order products on day 1, will be shipped no later than day 6. Maximum quantities apply for this service.

 Available on request. Please enquire about delivery times of these items.

FABA A12

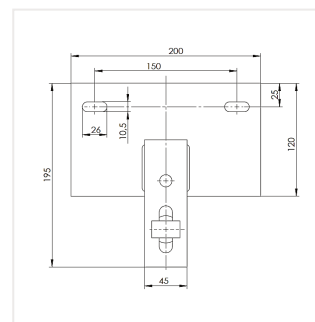
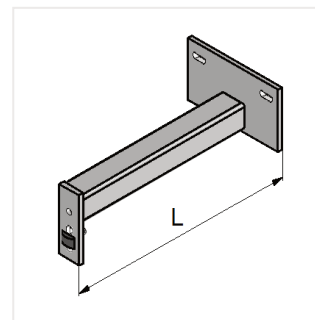
Bracket for low resistance structure

Bracket for low resistance structure

This bracket is designed for installation of the FABA™ ladder against brickwall. The design ensure a repartition of the forces transmitted to the supporting structure.

- Available with holes for wall fixing: $\varnothing = 10.5$ mm.
- Supplied with 1x screw kit M12 x 35mm.
- Fixing anchors not included.
- Materials: Galvanised steel or stainless steel.

Model	Length	Product Code
Bracket low resistance structure	161 mm	272797
Bracket low resistance structure	161 mm	272807
Bracket low resistance structure	371 mm	524797
Bracket low resistance structure	430 mm	520177
Bracket low resistance structure	500 mm	525567

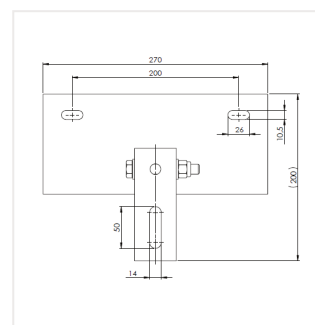
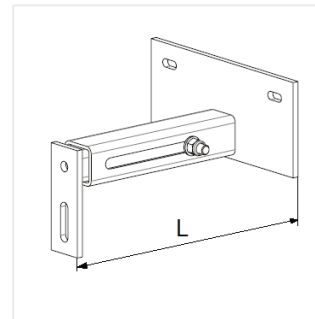



Adjustable bracket for low resistance structure


This adjustable bracket is designed for installation of the FABA™ ladder against brickwall. The design ensure a repartition of the forces transmitted to the supporting structure. This adjustable bracket should be used when the distance between the ladder/rail and structure is not constant.


- Available with holes for wall fixing: $\varnothing = 10.5$ mm.
- Supplied with 1x screw kit M12 x 35mm.
- Fixing anchors not included.
- Materials: Galvanised steel or stainless steel.

Model	Length	Product Code
Adjustable bracket low resistance structure	140 - 210 mm	272847
Adjustable bracket low resistance structure	140 - 210 mm	272857
Adjustable bracket low resistance structure	260 - 390 mm	272867
Adjustable bracket low resistance structure	770 - 990 mm	272887



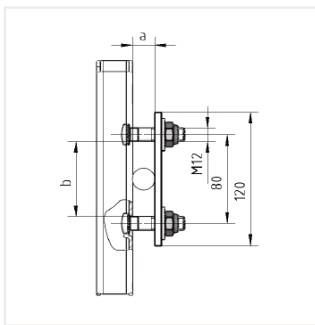
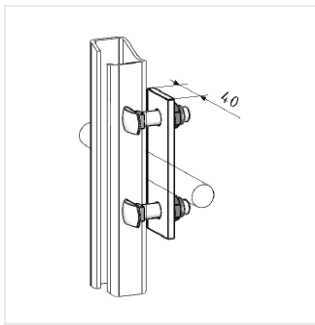
 Order products on day 1, will be shipped no later than day 2,

 Order products on day 1, will be shipped no later than day 6. Maximum quantities apply for this service.

 Available on request. Please enquire about delivery times of these items.

FABA A12

Brackets for rail only for installation on rungs of existing ladders



Central bracket on round or rectangular rungs

Bracket for installation of the FABA™ A12 rail on the centre of existing round, rectangular or square rungs.

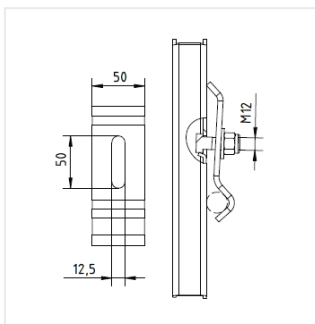
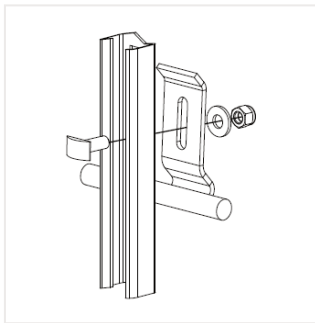
Minimum width of the rungs: 350mm

- Fastening of the FABA™ rail.
- This bracket is suitable for a wide range of different rungs.
 - On round rungs: for a diameter between Ø16mm and Ø40mm
 - On square or rectangular: from 16x16 to 40x65mm

1) Supplied with 1x screw kit M12 x 50mm.

2) Supplied with 1x screw kit M12 x 65mm.

Model	Product Code
Galva 16-25mm 1)	503398
Galva 25-40mm 2)	503408
Stainless steel 16-25mm 1)	508817
Stainless steel 25-40mm 2)	508827




Central bracket on round rungs


Bracket for installation of the FABA™ A12 rail on the centre of existing round rungs, step irons for example.


Minimum width of the rungs: 350mm

- Fastening of the FABA™ rail.
- The bracket is only suitable for round rungs with a diameter between Ø15 and Ø27 mm.
- Supplied with 1x screw kit M12 x 35mm.

Model	Product Code
Galvanised	508327
Stainless Steel	503528

 Order products on day 1, will be shipped no later than day 2,

 Order products on day 1, will be shipped no later than day 6. Maximum quantities apply for this service.

 Available on request. Please enquire about delivery times of these items.

FABA A12

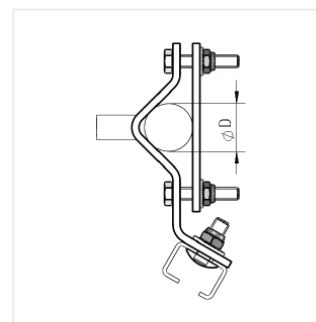
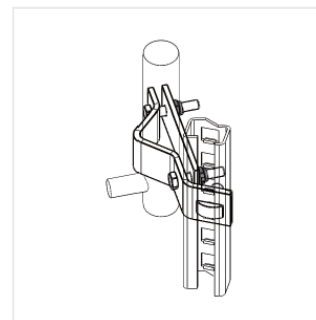
Brackets for rail for installation on side bars of existing ladders

Installation on round side bars

Bracket for the installation of FABA™ rail on the side profile (which must be round) of an existing ladder.

- Brackets for anchoring FABA™ A12 fall arrest rails.
- Dimensions: 3 different models are available for a diameter between 25mm and 80mm.
- Materials: Galvanised steel and stainless steel.
- Supplied with 1x M12 x 35mm screw kit.

Model	Product Code
Lateral bracket on round side bars, galva, Ø25-33mm	503368
Lateral bracket on round side bars, galva, Ø34-55mm	504008
Lateral bracket on round side bars, galva, Ø56-80mm	508637
Lateral bracket on round side bars, stainless steel, Ø25-33mm	503378
Lateral bracket on round side bars, stainless steel, Ø34-55mm	504018
Lateral bracket on round side bars, stainless steel, Ø56-80mm	508647

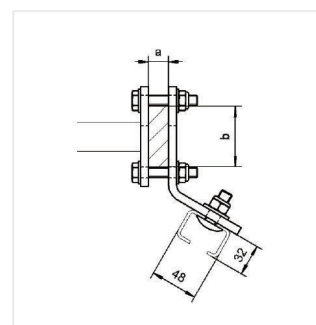
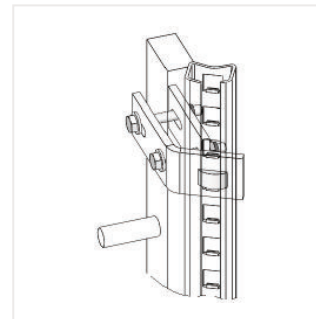



Installation on rectangular side bars


- Brackets for anchoring FABA™ A12 fall arrest rails.
- Dimensions: 6 different models are available.
- Materials: Galvanised steel and stainless steel.
- Supplied with 1x M12 x 35mm screw kit.


Each bracket is designed to fit a different side bar size. Dimensions a and b must be checked on the existing ladder to select the corresponding bracket.

Side rail dimension (cm)	b = 40-60mm	b = 40-60mm	b = 61 - 80 mm	b = 61 - 80 mm	b=81-100mm
	Code Galva	Code Stainless steel	Code Galva	Code Stainless steel	Code Galva
a					
6 - 20 mm	503888	503948	503918	503978	513938
21 - 30 mm	503898	503958	503928	503988	513948
31 - 50 mm	503908	503968	503938	503998	513958



 Order products on day 1, will be shipped no later than day 2,

 Order products on day 1, will be shipped no later than day 6. Maximum quantities apply for this service.

 Available on request. Please enquire about delivery times of these items.

FABA A12

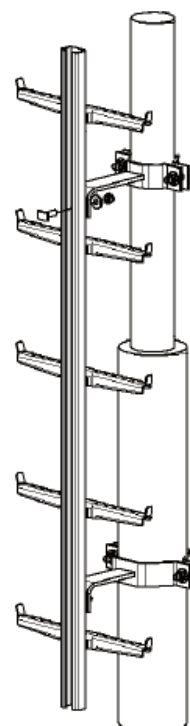
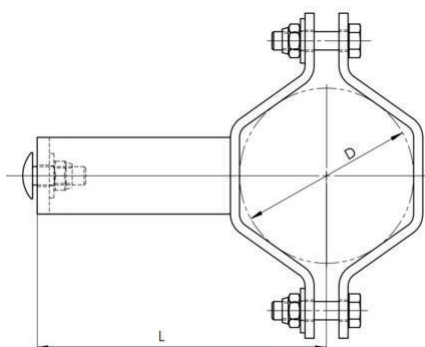
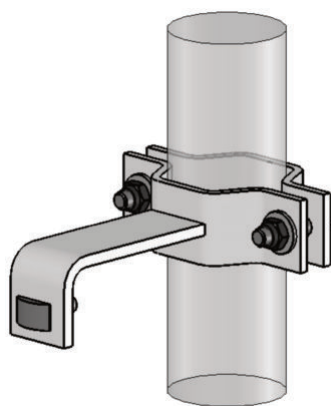
Brackets

Bracket for mast

Bracket for FABA™ A12 on mast by means of clamps.

- Composed of two elements:
 - CLAMPS with different diameters D,
 - ARMS of different lengths L (centre of the mast to the back of the rail).
- Including 1 mounting kit M12x35mm
- The length L is always given by the lower diameter of the mast used. This dimension L is decisive for the choice of the other anchorages to be used in the same dimension L of the system.
- Material: Galvanised steel.

Mast diameter (mm)	L: distance between the center of the mast and the ladder (mm)									
	184	190	203	213	217	230	243	255	269	312
Ø 80				506575	506585					
Ø 89.9	503678	503595	506605	506615	506625	506635	503688	506645		
Ø 101.6		503698	506655	506665	506675	506685	506695	506705		
Ø 114.3			506715	503708	506725	503718	503728	503738	506735	
Ø 139.7				503748	506745	503758	503768	503778	503788	
Ø 159					506755	506765	506775	506785	506795	
Ø 168.3						503798	503808	503818	506805	528027
Ø 193.7							503828	506815	506825	
Ø 219.1								503838	506835	528037
Ø 273									272897	272907
Ø 323.9									521507	528007



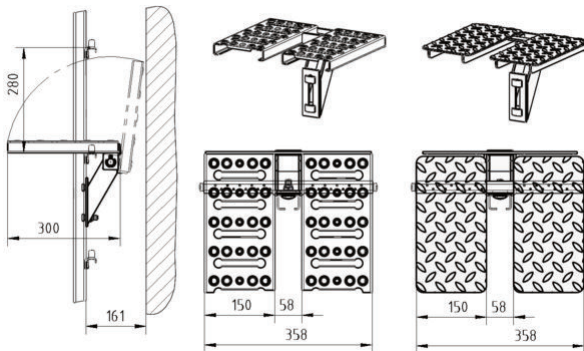
● Order products on day 1, will be shipped no later than day 2,

● Order products on day 1, will be shipped no later than day 6. Maximum quantities apply for this service.

○ Available on request. Please enquire about delivery times of these items.

FABA A12

Rest platform



Resting platform Type I

Resting platform TYPE I for stair systems.

- For FABA™ A12 ladder
- For twin-side bars ladder (side bars separation at least 380 mm internal width), in which the FABA™ rail has been centrally mounted on the rungs.
- Distance between rungs min. 280 mm.
- The resting platform is bolted onto the rail, no fastening to the surface is required.
- The resting platforms are placed every 10 m or dependent on the building and local standard or law
- The platform can be folded down to ease passage.
- It has two platforms, each 150 x 300 mm.

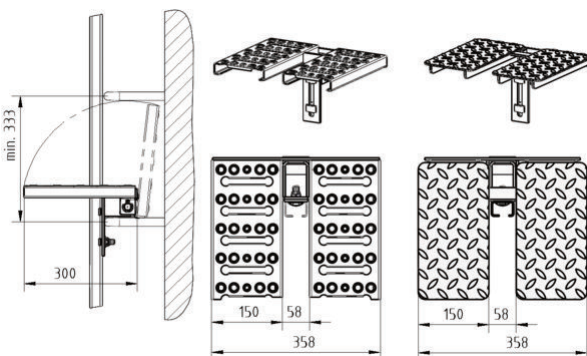
Materials: Galvanised steel and stainless steel.

Model	Product Code
Galva	503448
Stainless steel	504048


Resting platform Type II


Resting platform TYPE II for manhole ladders.


- For manhole steps in which the FABA™ climbing protection rail has been centrally mounted on the step irons.
- Distance between step irons min. 333 mm.
- For distances between the step irons of 333 mm, the free space on the platform is restricted to 110 mm. There are no restrictions for 400 mm distances.
- The resting platform is bolted onto the climbing protection rail, no fastening to the surface is required.
- The resting platforms are placed every 10 m or dependent on the building and local standard or law.



Model	Product Code
Galvanised	503458
Stainless steel	508197

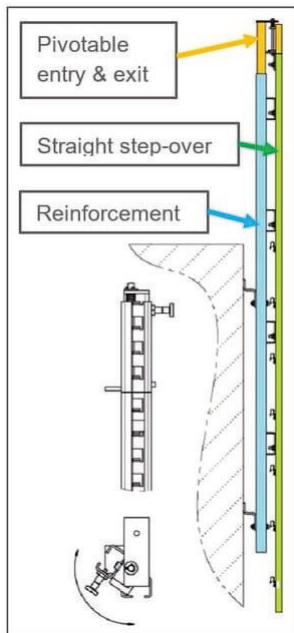
 Order products on day 1, will be shipped no later than day 2.

 Order products on day 1, will be shipped no later than day 6. Maximum quantities apply for this service.

 Available on request. Please enquire about delivery times of these items.

FABA A12

Step-overs



Straight step-over

The straight step-over ensures the safety until complete disembarkation as the slider remains connected and allow the user to secure themselves before disconnecting the slider:

- Only to be installed on the upper section of an installation.
- Total ladder length 2800 mm, landing height 964 mm.
- Number of rungs: 7.
- Materials: galvanised or stainless steel.

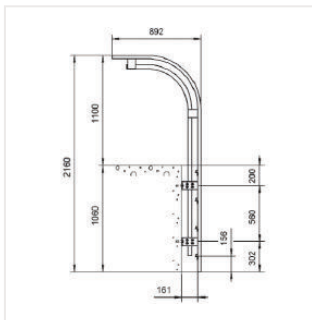
It must include for a ladder installation:

- the ladder extension,
- the reinforcing rail,
- the pivoting entry/exit

and for a rail installation (please ensure that the fall arrest rail is long enough to receive the straight step-over):

- the reinforcing rail,
- the pivoting entry/exit

Model	Type	Material	Exit direction	Product Code
Kit Straight step-over	Ladder	hot-dip galvanized steel	Right	272407
Kit Straight step-over	Ladder	hot-dip galvanized steel	Left	272417
Kit Straight step-over	Rail	hot-dip galvanized steel	Right	272917
Kit Straight step-over	Rail	hot-dip galvanized steel	Left	272927
Straight step-over	Ladder	Stainless steel	-	500388



Curved step-over

- The curved entry / exit is located at the top of the ladder or fall arrest ladder or rail.
- It facilitates the passage from the ladder to the deck or access.
- Recedes 892 mm into a safe access zone.
- Available for FABA A12 ladder or rail systems.
- Materials: Galvanised steel and stainless steel.

Model	Product Code
Galva, for ladder, Ø10.5mm	503468
Galva, for ladder, Ø14mm	525427
Stainless steel, for ladder, Ø10.5mm	503478
Stainless steel, for ladder, Ø14mm	525417
Galva, for rail, Ø10.5mm	503488
Stainless steel, for rail, Ø10.5mm	508237

Order products on day 1, will be shipped no later than day 2,

Order products on day 1, will be shipped no later than day 6. Maximum quantities apply for this service.

Available on request. Please enquire about delivery times of these items.

FABA A12

Components

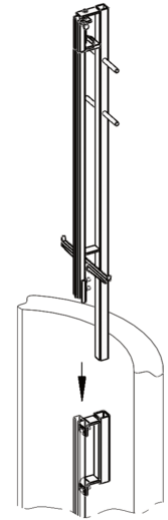
Confined Access Accessory

Specially designed for confined access or covered climbing facilities with FABA™ climbing protection A12.

In order to enter a confined access while maintaining an ergonomic, upright body posture, the entry aid is placed on the existing A12 climbing protection system and removed after the work has been completed.

The user is therefore able to secure him/herself while still standing beside the opening to the confined space.

This system may only be used in conjunction with a fixed connection to the climbing protection ladder.



Model	Product Code
Coupling for entry aid	507175
Portable entry aid	507155
Stainless steel bracket	503578

90° pivoting entry-exit section

The entry and exit section allows the comfortable insertion and extraction of the FABA™ carriage and must be installed at every position of the climbing facility that is intended to ensure safe release from the climbing protection system (e.g. work platforms).

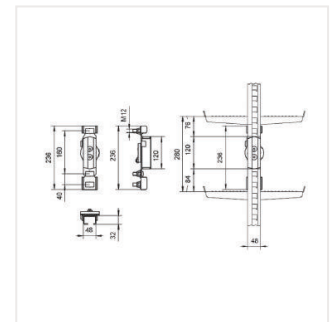
It should be installed approx. 1000 mm above the standing level.

After its unlocking, the central piece can rotate by 90° and the slider exit laterally.


Vertical movement is blocked while the central piece is turned.


The central piece is locked automatically in the vertical position.


Included in the scope of delivery: 3x mounting screws M12x35mm



Model	Product Code
Galvanised	503498
Stainless steel	503508

 Order products on day 1, will be shipped no later than day 2,

 Order products on day 1, will be shipped no later than day 6. Maximum quantities apply for this service.

 Available on request. Please enquire about delivery times of these items.

FABA A12

Security against unauthorized ascent (optional)

Access restriction

The purpose of the access restriction is to have an element that makes it impossible for unauthorised personnel to access the fall arrest system.

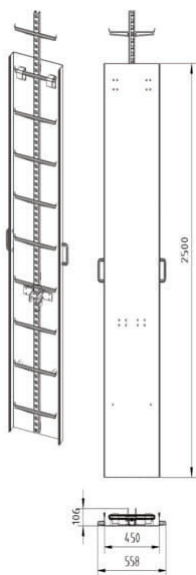
There are several options depending on the need or location of the system:

- Cover plate.
- Safety door cover.
- Butterfly door.
- Retrivable aluminium ladder for FABA ladder.

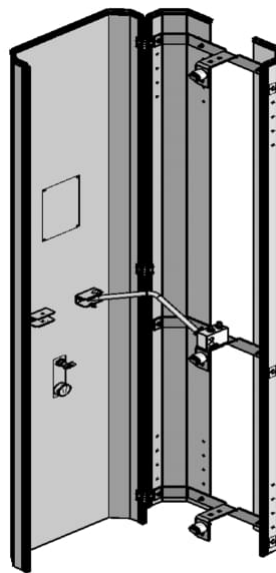
The last option must combine the rail with mounting hook and the aluminium ladder.

Material: Aluminium.

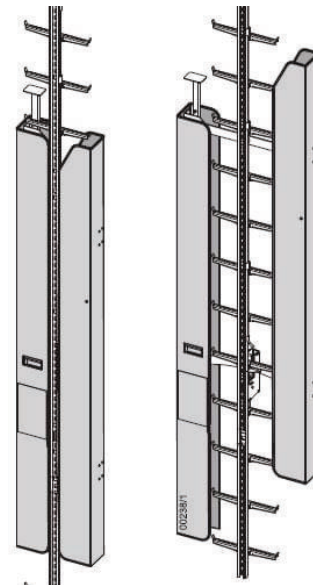
Model	Product Code
Aluminium cover plate	509505
Aluminium safety door cover	503518
Butterfly door	513868



Aluminium cover plate



Aluminium safety door cover



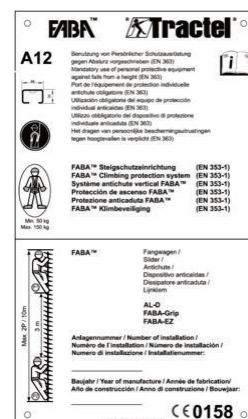
Butterfly door

Sign plate

The sign plate is mandatory component of any fall protection system. It must be installed near the access of the system. It includes the installation reference, the compatible sliders and the year of installation.

Material: aluminium

Model	Product Code
Sign plate	523897



Temporary safety ladders

FABA System AL2 MOBIL

The FABA AL2 Mobil system

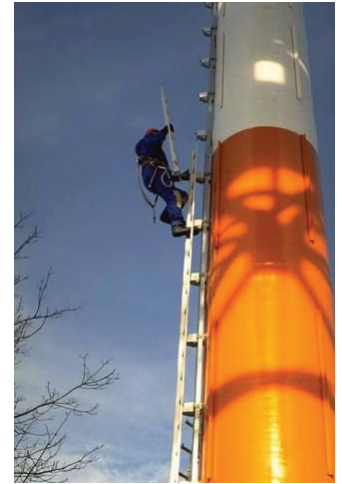
Safety ladder for temporary use on various structure types. The fasteners that accommodate the ladder are permanently fixed. In the standard version, wall and post clamp brackets are supplied for the posts.

Features FABA AL2 Mobil:

- Dimensions rail profil (H-shaped): 48 x 65 x 3-6mm
- Material: Anodised aluminum
- Design: Ladder with a central upright or with additional side upright
- Spacing in between stops: 70 mm
- Spacing in between rungs: 280 mm
- Rungs: Straight, inserted and set on the back of the rail
- Ladder width: 414 mm

Delivery Tractel:

- Supplied in manageable lengths of: 2800, 2520, 2240, 1960 and 1680 mm



FABA System AL2 MOBIL-F

The FABA AL2 MOBIL-F system

Designed for access to posts or masts with a circular cross-section. The fasteners are pre-installed on the ladder sections and provided with fastening straps to enable the ladder sections to be tightened and positioned directly on the post or mast.

Features FABA AL2 MOBIL-F:


- Dimensions rail profil (H-shaped): 48 x 65 x 3-6mm
- Material: Anodised aluminum
- Design: Ladder with a central upright or with additional side upright
- Spacing in between stops: 70 mm
- Spacing in between rungs: 280 mm
- Rungs: Straight, inserted and set on the back of the rail
- Ladder width: 414 mm


Delivery Tractel:


- Supplied in manageable lengths of: 1960 and 1680 mm
- Maximum distance between fixings: 1680 mm
- Characteristics of connectors: Automatic release of the upper end stops when fitting the next Ladder section.



For more information about our special applications, please contact Tractel:

 Order products on day 1, will be shipped no later than day 2,

 Order products on day 1, will be shipped no later than day 6. Maximum quantities apply for this service.

 Available on request. Please enquire about delivery times of these items.

FABA

Fall arresters on rail - (353-1 / 14122:4)

Since 1965, Tractel is offering vertical and horizontal access solutions (FABA systems) based on modular, robust designs.

FABA offers complete solutions and safety rails for safe access to your workplaces at height. A complete range of standard components guarantees a fall protection system according to EN 353-1. FABA fall arrest systems allow safe climbing on

fixed vertical ladders at any height and on horizontal access routes.

Area of application: Towers, fireplaces, pillars, lighting or antenna masts, pylons, chimneys.



FABA System A11

Introduced in 1965, the FABA A11 System is the precursor to the vertical access safety devices. The safety rail and slider designs are symmetrical. The slider can be inserted in either direction in the safety rail.

- Rail profile dimension: 68 x 56 x 2.8mm
- Material: Hot-dipped galvanised steel or stainless steel (1.4571)
- 3 versions of the FABA A11 exist:
 - Ladder with central rail,
 - Ladder with side bars,
 - Central rail or just a rail.
- Distance catching stops: 140 mm
- Distance between rungs: 280 mm
- Rungs: Inclined forward and welded on the back of the rail.
- Ladder width: 408 mm
- Primary Length: 2800 mm
- Maximum distance between fixings: 1960 mm

FABA A11 is particularly well suited for installation on round manhole. The bent rungs (20°) help to reduce the required space for the installation of the ladder and offer more place to the user.

On request, customer made solution can be designed to fit perfectly to the installation site.

For more information please contact Tractel.

FABA A11 ladder with fall arrest rail

(EN353-1 / 14122-4)

Leiter A11 aus feuerverzinktem Stahl

Number of rungs	Length (cm)	Weight (kg)	Product Code
2	560	4.8	501398
3	840	7.3	502357
4	1120	9.8	502367
5	1400	12.3	501438
6	1680	14.7	501458
7	1960	17.2	501478
8	2240	19.7	501498
9	2520	22.1	502377
10	2800	24.5	502387

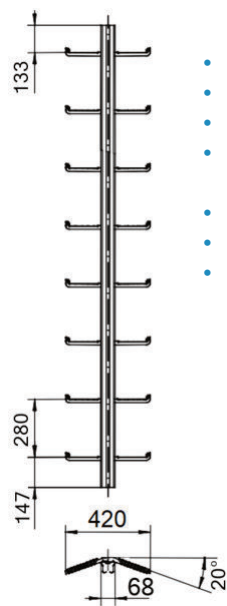
Stainless steel version

Number of rungs	Length (cm)	Weight (kg)	Product Code
3	840	7.3	501418
4	1120	9.8	501428
5	1400	12.3	501448
6	1680	14.7	501468
7	1960	17.2	501488
8	2240	19.7	501508
9	2520		501518
10	2800	24.5	501528

Ladder with release facility

Model	Length (mm)	Weight (kg)	Product Code
Hot dip galvanised	1680 mm	14.3	501638

Model	Length (mm)	Weight (kg)	Product Code
Stainless steel	1680 mm	14.3	501658



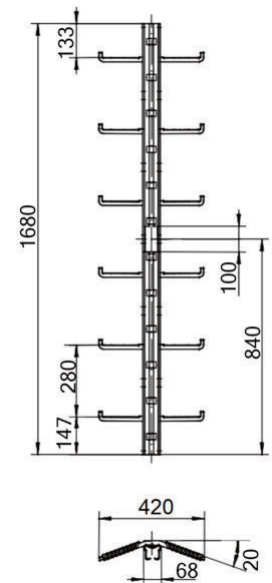
FABA A11 ladder with fall arrest rail.

- Available in various lengths from 840 to 2800 mm.
- Distance between rungs 280 mm.
- Catching cut-outs in fall arrest rail every 140 mm.
- The rungs are forged from solid steel and welded to the back of the rail. They have a profiled tread and 20 mm high slip-off pins
- Rungs 170 mm wide on each side bent at 20°
- Material: Hot-dip galvanised steel or stainless steel
- Standard: EN 353-1, BGV D36, DIN 18799-2

Ladder with release facility

The ladder with release facility enables the comfortable insertion and retrieval of the FABA slider at the lower end of the ladder.

The installation of a detachable catch above the release is mandatory to prevent any involuntary retrieval of the slider.



Order products on day 1, will be shipped no later than day 2,

Order products on day 1, will be shipped no later than day 6. Maximum quantities apply for this service.

Available on request. Please enquire about delivery times of these items.

FABA A11 ladder with side bars and fall arrest rail

(EN353-1 / 14122-4)

Hot-dip galvanised steel version

Number of rungs	Length (mm)	Weight (kg)	Product Code
4	1120	12.4	501718
5	1400	15.5	501738
6	1680	18.6	501758
7	1960	21.7	501798
10	2800	31.1	501858

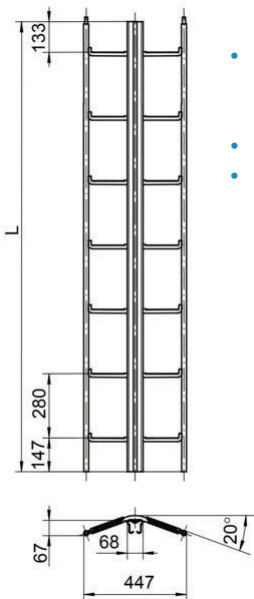
Stainless steel version

Number of rungs	Length (mm)	Weight (kg)	Product Code
4	1120	12.4	501728
5	1400	15.5	501748
6	1680	18.6	501778
7	1960	21.7	501808
10	2800	31.1	501858

Ladder with side bars and release facility

Model	Length (mm)	Weight (kg)	Product Code
Hot dip galvanised	1680	18.6	512918

Model	Length (mm)	Weight (kg)	Product Code
Stainless steel	1680	18.6	512928



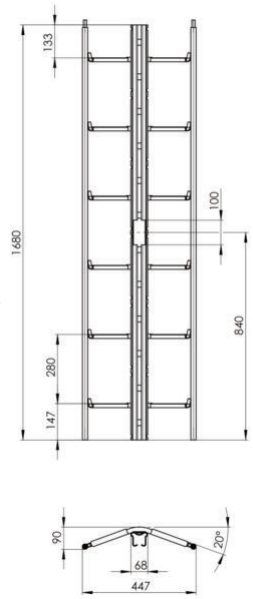
FABA A11 with side bars and fall arrest rail


- In addition to the all specifications of the standard FABA A11 ladder, the version includes sidebars. This version is recommended when the rungs cannot be used as climbing aids for the hands.
- Available in various lengths from 1120 to 2800 mm.
- Material: Hot-dip galvanised steel or stainless steel


Ladder with release facility


The ladder with release facility enables the comfortable insertion and retrieval of the FABA slider at the lower end of the ladder.

The installation of a detachable catch above the release is mandatory to prevent any unvoluntary retrieval of the slider.



 Order products on day 1, will be shipped no later than day 2.

 Order products on day 1, will be shipped no later than day 6. Maximum quantities apply for this service.

 Available on request. Please enquire about delivery times of these items.

FABA A11 fall arrest rail

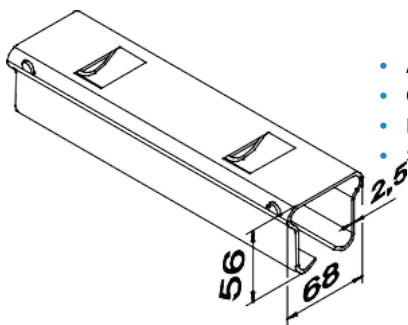
(353-1 / 14122-4)

Rail made in hot-dip galvanised steel.

Model	Length (mm)	Weight (kg)	Product Code
4	1120	4.3	500198
5	1400	5.3	500208
6	1680	6.4	500218
7	1960	7.5	500228
10	2800	10.8	503335

Rail made in stainless steel

Model	Length (mm)	Weight (kg)	Product Code
3	840		500278
4	1120	4.3	500288
5	1400	5.3	500298
6	1680	6.4	500308
7	1960	7.5	500318
10	2800	10.8	500348



FABA A11 fall arrest rail.

- Available in various lengths from 1120 to 2800 mm. .
- Catching cut-outs in fall arrest rail every 140 mm.
- Material: stainless steel 1.457 (316 Ti).
- Standard: EN 353-1, BGV D36, DIN 18799-2.



Order products on day 1, will be shipped no later than day 2.



Order products on day 1, will be shipped no later than day 6. Maximum quantities apply for this service.



Available on request. Please enquire about delivery times of these items.



FABA Klassik 150kg

We are introducing the new slider FABA Klassik 150kg. It is an upgrade to the actual FABA Klassik. This new version conforms to the latest applicable standard EN 353-1 and to the European Regulation 2016/425 and is certified for a user weighing up to 150kg.

This slider is a part of the process of upgrading our range of PPE fall protection products and an extension of the FABA range.

The slider is certified and compatible with the rail and ladder of FABA A11 galvanized steel or stainless steel its related accessories.

This rigid vertical fall arrester is tested to stop the fall of one operator, with its tools and equipment, weighing up to 150 kg. It enables several operators to work in safety (each operator having his own FABA Klassik slider) if there are no more than two operators within 10m and at least 3m between them.

In order to provide protection for the user up to the maximum allowed weight, all the products of the system must be HIGH CAPACITY RANGE 150 KG (Attention: the weakest element in the chain always determines the maximum capacity of the entire system).

Model	Product Code
FABA Klassik M10	514208
FABA Klassik - M23	N 514218



Harness HT120

EN361



Harness designed for movement (up or down) on structures equipped with an EN 353.1 rail or cable fall arrester device equipped with an approved fall arrest umbilical anti-fallback system attachment point.

The HT120 harness is equipped with an approved fall arrest umbilical attachment point. This attachment point, while being fall arrest approved, provides comfortable support going up or down. HT 120 is the only harness on the market that offers this type of attachment point.

The HT120 harness is particularly adapted for climbing on ladders equipped with a rail-mounted FABA type fall arrester, whether or not including a tractelift climbing aid system.

It's patented design prevents the user from falling backwards in the event of a fall, eliminating the risk of serious back injuries

- 1 dorsal attachment point.
- 2 thoracic attachment points.
- 1 umbilical attachment point.

	S	M	XL
HT120 - Standard Buckles	61702	61712	61722

Order products on day 1, will be shipped no later than day 2,

Order products on day 1, will be shipped no later than day 6. Maximum quantities apply for this service.

Available on request. Please enquire about delivery times of these items.

FABA A11

Components

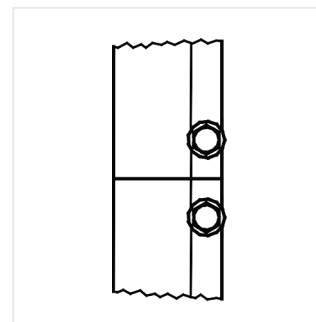
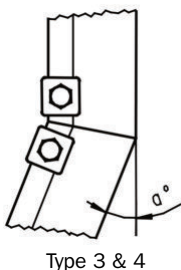
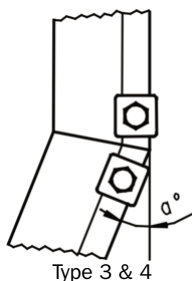
FABA A11 joint connector

Joint connector between FABA A11 ladders or rails.

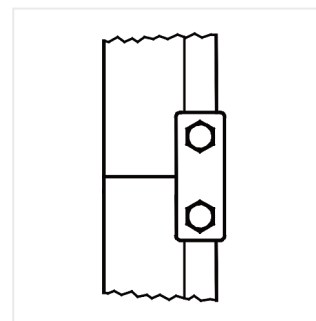
Materials: stainless steel.

4 different type of connectors is existing depending on the configuration of the installation.

Model	Type	Product Code
Straight connection	1	507197
Straight connection with lightning discharge	2	507307
Connection angle between 5° and 15°	3	503258
Connection angle between 15° and 25°	4	503278



Type 1



Type 2

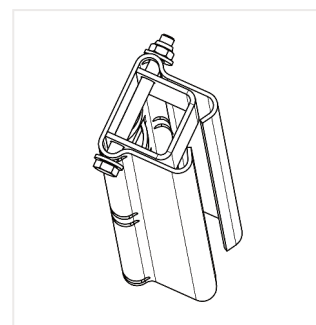
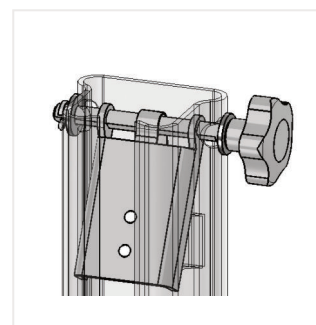
FABA A11 catch


Catches must be installed on all the entry and exit points of the rails in order to prevent unwanted exiting of a FABA slider.


2 types of catch exist:


- Detachable catches must be installed in those locations where the carriage is to be removed.
The catch must be manually unlocked and then automatically closes (spring)
- Permanent catches must be installed in those locations where the carriage is not to be removed.

Model	Product Code
Detachable catch	523597
Permanent catch	523617



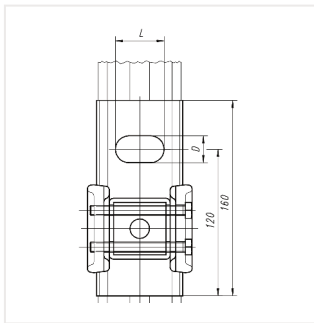
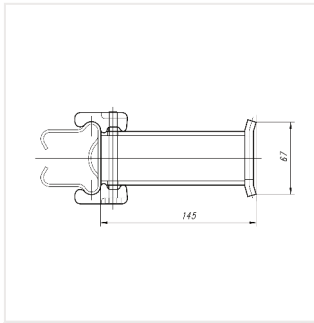
 Order products on day 1, will be shipped no later than day 2,

 Order products on day 1, will be shipped no later than day 6. Maximum quantities apply for this service.

 Available on request. Please enquire about delivery times of these items.

FABA A11

Square bracket

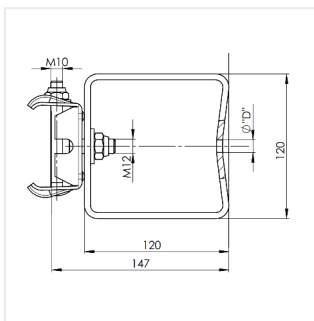
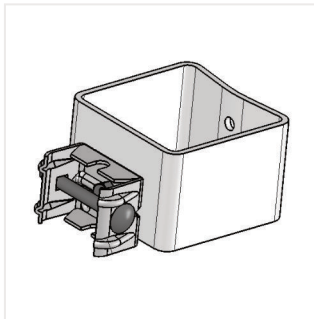


Square tube bracket type 1

The square tube bracket is designed for installation of the FABA ladder to a concrete or steel structure.

- Bracket spacing max. 2000 mm.
- Installation structure must be reinforced concrete at least B 25 (observe edge distances and wall thickness).
- Suitable for straight or round surfaces.
- Only use anchors approved by the building authorities.
- Materials: Galvanised steel or stainless steel.

Model	Material (mm)	Oblong size D x L
Square tube bracket	22x40	502208
Square tube bracket	20x40	502228
Square tube bracket	13.5x40	502248
Square tube bracket	10.5x40	502268
Square tube bracket	22x40	502218
Square tube bracket	20x40	502238
Square tube bracket	13.5x40	502258
Square tube bracket	10.5x40	502278





Square tube bracket type 2


The square tube bracket is designed for installation of the FABA ladder to a concrete or steel structure.

- Bracket spacing max. 2000 mm.
- Installation structure must be reinforced concrete at least B 25 (observe edge distances and wall thickness).
- Suitable for straight or round surfaces.
- Only use anchors approved by the building authorities.
- Materials: Galvanised steel or stainless steel.

Model	Material (mm)	Ø fixing hole
Square tube bracket	Ø10.5	503047
Square tube bracket	Ø13	502068
Square tube bracket	Ø17	502088
Square tube bracket	Ø21	502108
Square tube bracket	Ø25	502128
Square tube bracket	Ø10.5	503057
Square tube bracket	Ø13	502078
Square tube bracket	Ø17	502098
Square tube bracket	Ø21	502118
Square tube bracket	Ø25	502138

 Order products on day 1, will be shipped no later than day 2,

 Order products on day 1, will be shipped no later than day 6. Maximum quantities apply for this service.

 Available on request. Please enquire about delivery times of these items.

FABA A11

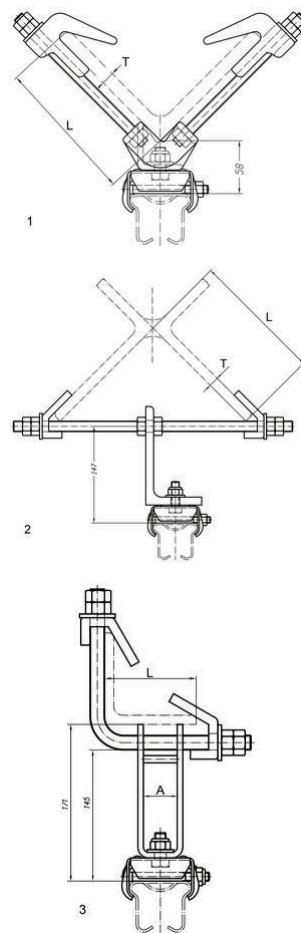
Brackets for corner profile and steel lattice mast

Bracket for corner profile

- Fastening of the FABA ladder to a corner profile.
- Select the corresponding bracket according to the dimension of the corner profile.
- For corner profiles between 80 x 80mm up to 250 x 250mm
- For X profile between 160 x 160mm and 200 x 200mm

Model	Type	Length (mm)	T (mm)	Weight (kg)	Product Code
Central installation	1	80 - 110	6 - 10	0.7	503128
Central installation	1	120 - 140	12 - 13	0.8	503138
Central installation	1	150 - 160	15	0.9	503148
Central installation	1	180 - 250	18 - 24	1	503158
Bracket X profile	2	160 - 180	15 - 16	1.1	503188
Bracket X profile	2	200	15 - 24	1.2	503178

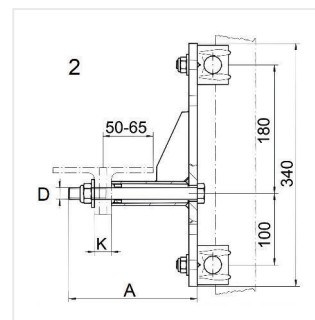
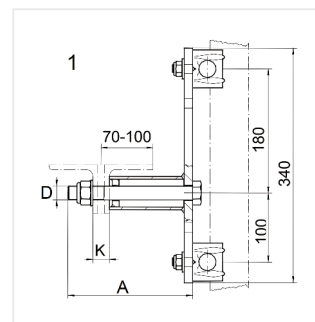
Model	Type	Length (mm)	A (mm)	Weight (kg)	Product Code
Lateral installation	3	100	37	0.9	506427
Lateral installation	3	110 - 150	37	1	503168
Lateral installation	3	160 - 200	70	1.1	506437
Lateral installation	3	210 - 250	70	1.2	506447



Bracket for lattice mast

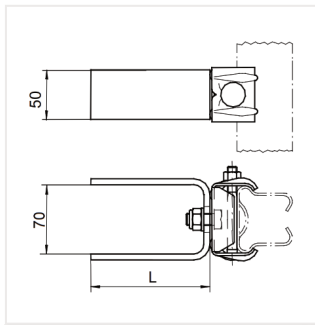
- Fastening of the FABA ladder to a corner profile (e.g. a steel lattice mast).
- Select the corresponding bracket according to the dimension of the corner profile.
- For corner profiles between 80 x 80mm up to 250 x 250mm
- For X profile between 160 x 160mm and 200 x 200mm

Model	Type	Length (mm)	A	K	D	Weight (kg)	Product Code
Lattice bracket	1	70-100	180	15 - 43	M16	3.8	502508
Lattice bracket	1	70-100	180	12 - 39	M20	4	502518
Lattice bracket	1	70-100	180	12 - 34	M24	4.2	502528
Lattice bracket	1	70-100	180	12 - 31	M27	4.5	502538
Lattice bracket	1	70-100	200	36 - 60	M16	3.9	502458
Lattice bracket	1	70-100	200	28 - 55	M20	4.1	502558
Lattice bracket	1	70-100	200	20 - 50	M24	4.3	502568
Lattice bracket	1	70-100	200	14 - 50	M27	4.5	502578
Lattice bracket	2	50-65	180	15 - 43	M16	3.8	502598
Lattice bracket	2	50-65	180	22 - 47	M12	3.7	502588
Lattice bracket	2	50-65	180	12 - 39	M20	4	502608



FABA A11

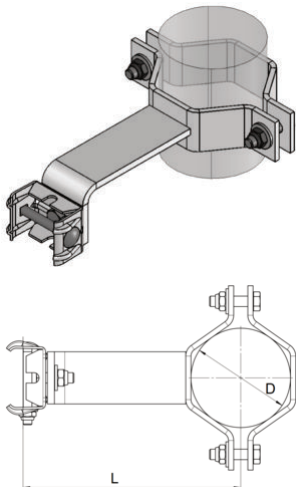
Brackets for ladder and rail



U bracket for welding

For welding on steel structure by certified welder. Protected against corrosion after welding.
Lengths between 121 and 500mm must be specified at the order.
Mounting clamp and screw set must be ordered separately.

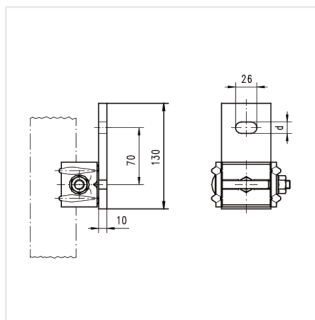
Model	Length (mm)	Product Code
Stainless steel, untreated	120	504067
Stainless steel, untreated L121-305	121 - 305	502788
Stainless steel, untreated L306-400	306 - 400	502808
Stainless steel, untreated L401-500	401 - 500	502818
Steel, untreated	120	504057
Steel, untreated L121-305	121 - 305	502778
Steel, untreated L306-400	306 - 400	502798
Steel, untreated L401-500	401 - 500	502828
Metal sheet	-	502827
Mounting screws M12x30 stainless steel	-	507257



Bracket for round mast

Bracket for round mast, made on demand. Includes 1 clamp.
Material: galvanised steel or stainless steel

Model	Diameter (cm)	Length (mm)	Material
D114.3 - L249 - G	114.3	249	525957
D139.7 - L190 - G	139.7	190	526617
D146 - L220 - G	146	220	529987
D159 - L390 - G	159	390	527087
D231 - L240 - G	231	240	523837
D241 - L240 - G	241	240	523827
D244.5 - L202 - G	244.5	202	524267
D265 - L279 - G	265	279	523637
D300 - L325 - G	300	325	521727



Bracket for shaft

Bracket dedicated for installation in shaft with limited dimension

Model	Diameter d (mm)	Weight (kg)	Product Code
Galva	Ø10.5	0.8	503198
Galva	Ø14	0.8	503208
Stainless steel	Ø10.5	0.8	506667
Stainless steel	Ø14	0.8	503218

FABA A11

Bracket for rail

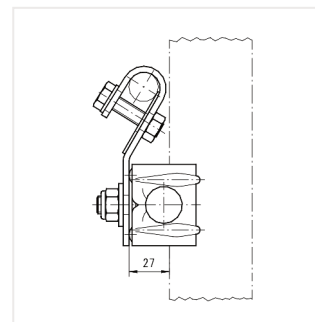
Bracket centrally mounted on step iron

Only for single step iron

Diameter of the step iron between 19 and 22 mm. For step iron with a diameter of more than 20 mm, the spacer is removed during installation.

Installation on the middle of existing step irons

Model	Weight (kg)	Product Code
Step iron bracket	0.7	503187



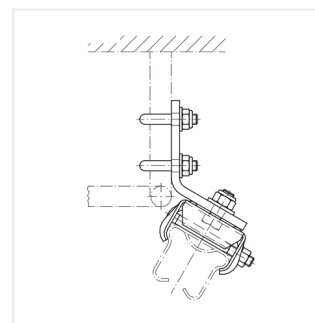
Bracket mounted sideways on step iron

Only for single step iron

Diameter of the step iron between 19 and 22 mm. For step iron with a diameter of more than 20 mm, the spacer is removed during installation.

Installation on the side of existing step irons

Model	Weight (kg)	Product Code
Lateral step iron bracket	1.2	503038
Lateral step iron bracket	1.2	503048



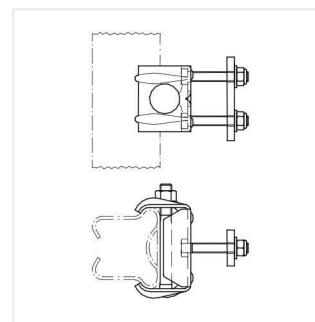
Central bracket on rungs


For bracket spacing, see leaflet BGi 691 (old ZH 1/604).


Clamping range up to 60 mm.


Installation on the rungs of an existing ladder.

Model	Rungs diameter (mm)	Weight (kg)	Material
Bracket 30mm	30	0.7	503477
Bracket 40mm	40	0.7	503308
Bracket 50mm	50	0.7	503318
Bracket 60mm	60	0.7	503328
Bracket 30-60mm	30-60	0.4	502888



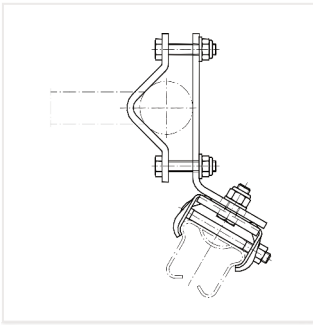
 Order products on day 1, will be shipped no later than day 2,

 Order products on day 1, will be shipped no later than day 6. Maximum quantities apply for this service.

 Available on request. Please enquire about delivery times of these items.

FABA A11

Brackets for rail for installation on side bars of existing ladders

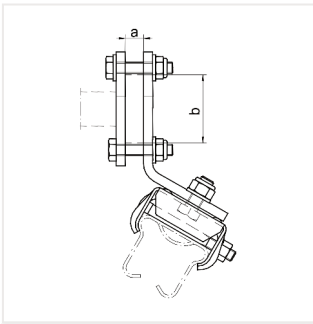


Installation on round side bars

Bracket for the installation of FABA rail on the side profile (which must be round) of an existing ladder.

- Brackets for anchoring FABA A11 fall arrest rails.
- Dimensions: 3 different models are available for a diameter between 33mm and 80mm.
- Materials: Galvanised steel and stainless steel.
- Supplied with 1x clamp

Model	Product Code
Lateral bracket on round side bars, galva, Ø33-50mm	503058
Lateral bracket on round side bars, galva, Ø60-80mm	505457
Lateral bracket on round side bars, stainless steel, Ø34-55mm	503068
Lateral bracket on round side bars, stainless steel, Ø60-80mm	505467





Installation on rectangular side bars


- Brackets for anchoring FABA A12 fall arrest rails.
- Dimensions: 6 different models are available.
- Materials: Galvanised steel and stainless steel.
- Supplied with 1x M12 x 35mm screw kit.

Each bracket is designed to fit a different side bar size. Dimensions a and b must be checked on the existing ladder to select the corresponding bracket.

Side rail dimension (cm)	b = 40-60mm		b = 61 - 80 mm		b=81-100mm
	Code Galva	Code Stainless steel	Code Galva	Code Stainless steel	Code Galva
6 - 20 mm	503888	503948	503918	503978	513938
21 - 30 mm	503898	503958	503928	503988	513948
31 - 50 mm	503908	503968	503938	503998	513958

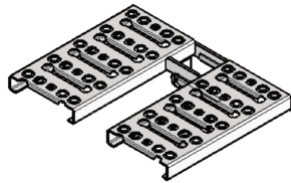
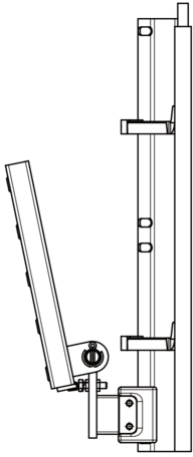
 Order products on day 1, will be shipped no later than day 2,

 Order products on day 1, will be shipped no later than day 6. Maximum quantities apply for this service.

 Available on request. Please enquire about delivery times of these items.

FABA A11

Rest platform



Pivotable rest platform

- For FABA A11 climbing protection ladders or rail (centrally installed on existing rungs).
 - The platform pivots behind the ladder or rungs
- The platform is clamped to the rail, no fastening to the structure required.

Materials: Galvanised steel and stainless steel.

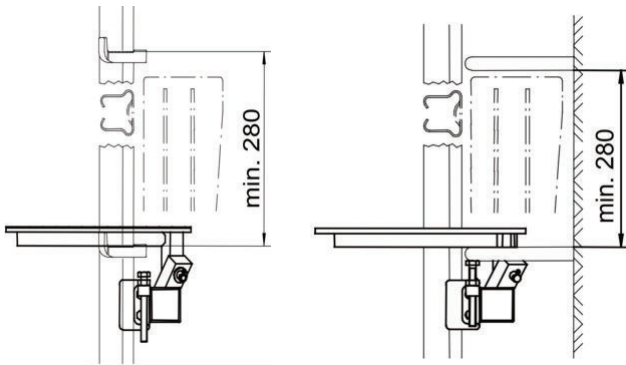
Model	Product Code
Galva for ladder	526507
Stainless steel for ladder	527097
Galva for rail	528317

Foldable rest platform

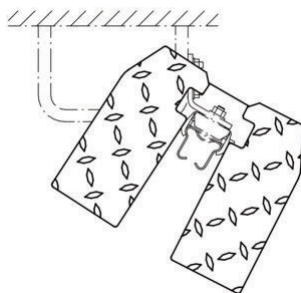
- For all FABA A11 climbing protection ladders, and rail installed centrally on the rungs (minimum distance of 280mm between rungs needed).
- For all FABA A11 climbing protection rails installed on side of step irons Only with bracket: 503038 or 503048.


The platform is clamped to the rail, no fastening to the structure required.


Materials: Galvanised steel and stainless steel.




Model	Weight (kg)	Product Code
Galva	8	507465
Stainless steel	7.5	507455



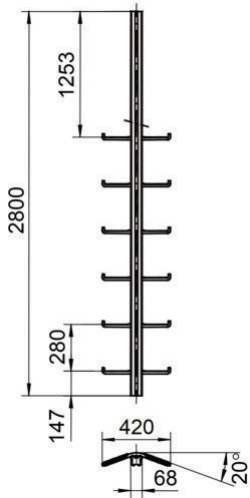
 Order products on day 1, will be shipped no later than day 2,

 Order products on day 1, will be shipped no later than day 6. Maximum quantities apply for this service.

 Available on request. Please enquire about delivery times of these items.

FABA A11

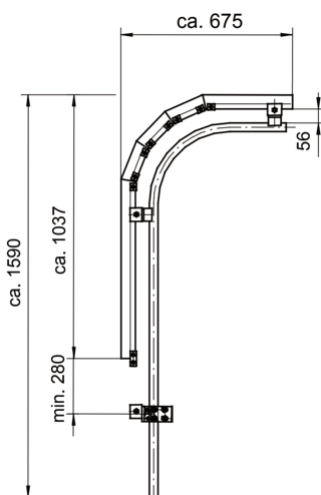
Step-overs



Straight step over

- Stepping over onto a platform at the top of an access ladder, e.g. grating platform with folding grating.
- The climbing protection ladder has no rungs at the top.
- The step-over is fixed to the structure with at least 2 brackets.
- Always install a detachable catch at the upper end.
- Order detachable catch separately.

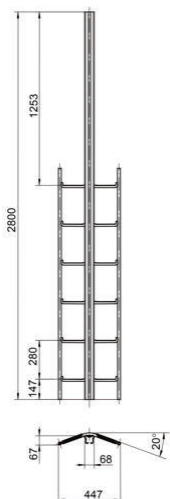
Model	Weight (kg)	Product Code
Galvanised version	19	501648
Stainless steel version	19	501668



Curved step over

- Climbing over to a standing surface at the top of a ladder, e.g. climbing over to the roof.
- The curved step-over is fixed to the structure with a bracket.
- Always install a detachable catch at the upper end.
- Order detachable catch separately.


Model	Weight (kg)	Product Code
Galvanised version	15.5	504228
Stainless steel version	15.5	504238





Straight step over with sidebars

- Stepping over onto a platform at the top of an access ladder, e.g. grating platform with folding grating.
- The climbing protection ladder has no rungs at the top.
- The step-over is fixed to the structure with at least 2 brackets.
- Always install a detachable catch at the upper end.
- Order detachable catch separately.

Model	Weight (kg)	Product Code
Galvanised version	19	501768
Stainless steel version	19	501788

 Order products on day 1, will be shipped no later than day 2.

 Order products on day 1, will be shipped no later than day 6. Maximum quantities apply for this service.

 Available on request. Please enquire about delivery times of these items.

FABA A11

Components

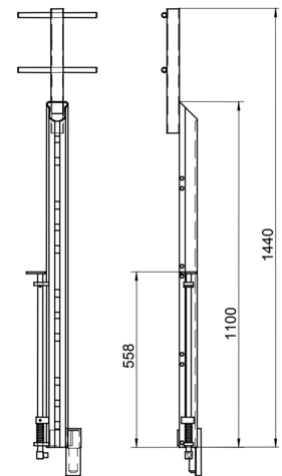
Confined Access Accessory

Specially designed for confined access or covered climbing facilities with FABA™ climbing protection A11.

In order to enter a confined access while maintaining an ergonomic, upright body posture, the entry aid is placed on the existing A11 climbing protection system and removed after the work has been completed. The user is therefore able to secure him/herself while still standing beside the opening to the confined space.

This system may only be used in conjunction with the dedicated coupling or connector.

Model	Product Code
Portable entry aid	503805
Coupling for entry aid	508245
Connector	509437



90° pivoting entry-exit section

The pivoting entry and exit allows an easy insertion and retrieval of the slider. It can be installed at any point of the climbing walkway where a safe release from the climbing protection is guaranteed (e.g. platforms).

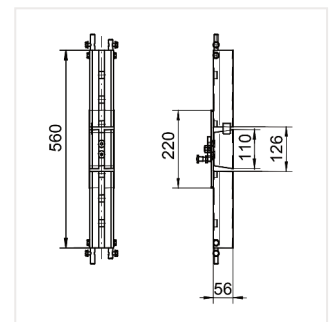
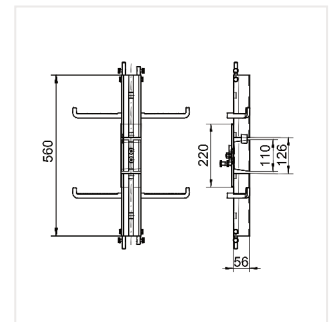
It should be positioned approx. 1100 mm above the stand surface.

The rail centre section can be turned by 90° and the slider can be retrieved on the side.

Straight connectors are pre-mounted at each end of the component.

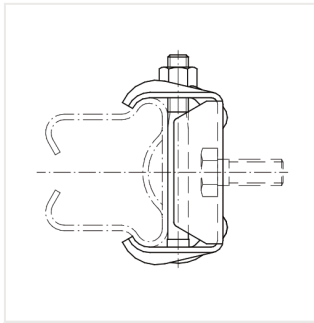
The pivoting entry and exit must be fastened to the structure with a bracket.

Model	Length (mm)	Weight (kg)	Product Code
Ladder	560	4.9	508847
Ladder	560	4.9	504078
Rail	560	3.4	504108
Rail	560	3.4	504118



FABA A11

Components

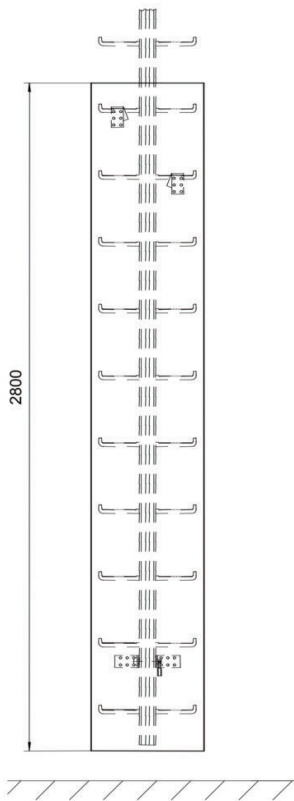


Clamp

Fixing clamp for FABA A11.

Screw set must be ordered separately.

Model	Product Code
Metal sheet	502827
Mounting screws M12x30 stainless steel	507257

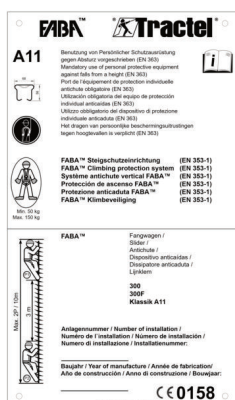


Access restriction

The purpose of the access restriction is to have an element that makes it impossible for unauthorised personnel to access the fall arrest system.

Material: Aluminium.

Model	Weight (kg)	Product Code
Aluminium cover plate	11.2	508145



Sign plate

The sign plate is mandatory component of any fall protection system.

It must be installed near the access of the system.

It includes the installation reference, the compatible sliders and the year of installation.

Material: aluminium

Model	Product Code
Sign plate	523887

Tractelift

The Tractelift is a climb assist system that relieves the weight of single or multiple climbers while ascending and descending the wind turbine ladder. The Tractelift gives traction relief in an adjustable pulling force up to 90 lbs (40 kg).

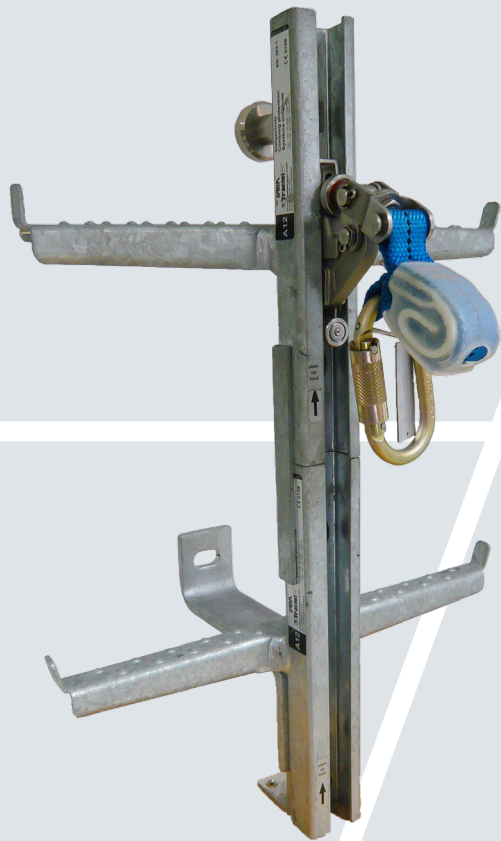
The Tractelift is easy to install, offers a continuous run rope loop and can fit onto virtually any kind of vertical ladder. With an adjustable clutch allowing the user to choose their own pulling force, this feature gives the Tractelift more advantages over the competition. The Tractelift can be fitted with a fixed or detachable motor, depending on the user's preference.

THE Tractelift IS NOT FALL ARRESTER EQUIPMENT.



For more information about our special applications, please contact Tractel:





FABA Safety ladders

Our Global Presence



Tractel Office

Tractel Benelux

Paardeweide 38a-40

4824 EH Breda

Tel: 076-5435135

E-mail: sales.benelux@tractel.com

www.tractel.com