



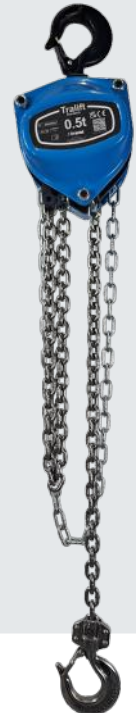
Stopcable
page 258



Stopfor B16
page 199



Blocfor 20R EVO ESD
page 197



Tralift Duratech
page 24

Price list 2024

Version 18

Company Profile

Tractel® is a world leading safety specialist providing reliable, innovative and cost-effective working-at-height solutions and services. These solutions are used in many end-user applications, in particular in industrial, construction, energy, telecoms and infrastructure projects.

Tractel®'s solutions portfolio comprises of:

- **Height Safety** - Leading provider of working-at-height personal protective equipment – fall arrest devices (stopfor™, blocfor™, derope™), anchors, harnesses - as well as collective protective equipment, such as guardrails, (BlueWater™), safety gates (Fabenco™) and safety nets (Knot®).
- **Load Measurement & Control** – European leader in industrial load measurement and control – dynafor™, handifor™, dynasafe™, dynaline, dynarope, and dynaplug.
- **Lifting & Handling** – World leader in pass-through manual wire rope hoists (tirfor®) and pass-through electrical wire rope hoists (tirak™, minifor™), clamps, pulleys and hooks, as well as ground handling equipment.
- **Temporary & Permanent Access** – World leader in hoists (tirak™) and aluminium platforms (ALTA, skysafe™), mast climbing work and transport platforms and construction elevators (Scanclimber®), Building Maintenance Units and permanent access solutions for industry, infrastructure and buildings.
- **Services** - in-situ inspection and maintenance services for permanent access equipment, workshop maintenance and general overhauls of mechanical equipment, as well as training and rental services

Established more than 70 years ago, Tractel® today has significant manufacturing facilities in Europe (France, Germany, Poland, Spain), the USA (Minneapolis, Houston), Canada (Toronto, Montreal), China (Shanghai), Singapore and Turkey. These facilities are supported by dedicated centres of excellence in R&D, engineering and safety standards. Tractel® has customers in 120 countries, subsidiaries in 19 countries, 10,000 distributors around the world, and employs around 1,100 people.

This network of expertise, experience and geographical locations allows Tractel® to achieve global reach with local presence.



Tractel® Values:

- **Safety:** Safety is paramount in everything we do. Our customers, subcontractors and employees rely on us to keep them safe when working at height and in their respective work environments, and we will do everything we can to maintain that trust.
- **Interests of our Customers:** The Interests of our Customers are at the forefront of our mind. The distributors, contractors and other customers we work with around the world are the lifeblood of our business existence. Our business does well if we deliver the value that makes their business do well.
- **Reliability:** We focus on Reliability. We take pride in the fact that our products and solutions are of the highest quality and work reliably throughout their lifetime. We pride ourselves on being just as reliable in business. We say what we do and do what we say, we are trusted business partners, both inside and outside of our organisation.
- **Entrepreneurship and Innovation:** We value Entrepreneurship and Innovation. We take pride in growing our business, we are agile and fast in developing opportunities. We innovate because it is how we bring better value to our customers, differentiate from our competitors and ultimately ensure that Tractel® continues to thrive for years to come.
- **Focused and Transparent:** We are focused on the projects we have decided to deliver and value team work. Both within our respective organisations and across sister business units. This means we act with transparency between colleagues, and we are accountable for the projects under our responsibility.

Table of Contents

1	Lifting equipment	Page
	Manual hoists	6
	Motorised hoists	29
	Pulleys, blocks and sheaves	63
	Lifting clamps	79
	Lifting beams	107
	Lifting points	114
	Floor handling equipment	117
	Material only load arresters	119
2	Measurement and Control	Page
	Dynafor load cells	126
	Mechanical Dynasafe	137
	Electronic Dynasafe	138
	Dynarope Tension meters	143
	Anchor testers	145
3	Fall protection	Page
	Collective protection	152
	Fall protection kits	158
	Safety harnesses	162
	Fall arrest devices and lanyards	187
	Safety connectors	219
	Anchor points	225
	Lifelines	239
	Safety ladders and rails	259
	Confined space access	294
	Rescue equipment	318
	Rope access equipment	323

1.

Lifting equipment



Manual hoists

Page 6–28

Motorised hoists

Page 29–62

Pulleys, blocks and sheaves

Page 63–78

Lifting clamps

Page 79–106

Lifting beams

Page 107–113

Lifting points

Page 114–116

Floor handling equipment

Page 117–118

Material only load arresters

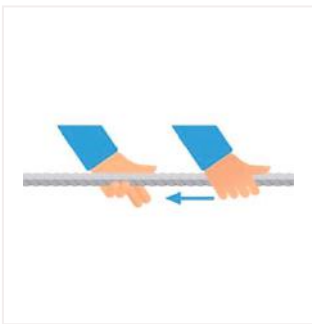
Page 119–123

- Op aanvraag verkrijgbaar. Informeer naar de levertijden van deze artikelen.
- Bestel op dag 1, verzending uiterlijk dag 3 (maximale hoeveelheden).
- Bestel producten op dag 1, worden uiterlijk op dag 2 verzonden.



Tirfor®

Tirfor: Proven quality for decades, brand name and market leader – often copied never equalled

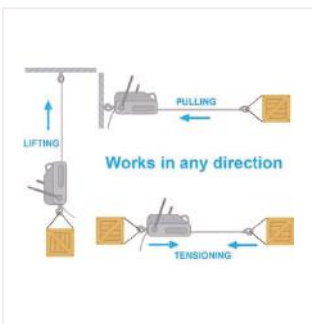


The Tirfor principle

- Two jaws alternatively pull the wire rope and the load in the required direction, like pulling a rope hand over hand.
- The jaws are self-gripping providing safe operation.
- The heavier the load, the tighter the jaws will grip.
- By operating the unlocking mechanism, the wire rope can be inserted or removed from between the jaws.

Multifunctional

- Work can be carried out in any direction: horizontally, vertically or at an angle.
- No theoretical limit to the wire rope length.
- Manually operated for use almost anywhere.
- Motorised versions available.

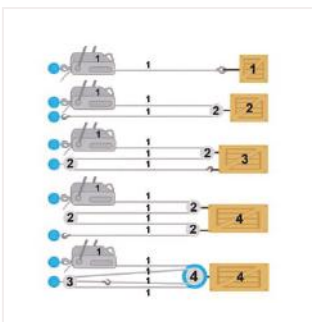


Safe and reliable

- Constant control over loads during lifting and lowering with millimetre accuracy.
- When the hoist stops, the load will be automatically distributed over the two jaws.
- Overload protection.

Increasing the WLL

- The Tirfor's WLL can be increased by a factor of 2, 3, 4 or more by using sheave blocks.
- When calculating the WLL for sheaved systems, allow for a WLL loss of 4% per sheave block, caused by friction.



Tirfor T500 series



T508



T516



T532

The Tirfor T500 hoist is a manual lifting and pulling device. It is a versatile and portable multi-purpose device that can be used for lifting and pulling, but also for lowering, tensioning and securing loads in all directions.

One-man operation by using the telescopic control lever supplied as standard. Spare shear pins for overload protection are supplied as standard.

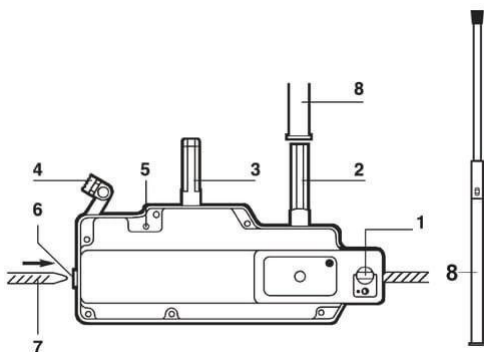
Proven quality for decades, brand name and market leader – often copied never equaled!

The Tirfor T series for standard applications

- Lightweight and easily portable
- Delivering safe and assured operation in any direction, either in a straight line or using diverter pulleys over an unlimited length
- Low-wear clamping jaws during demanding applications increasing the life of the wire rope
- Overload protection for safe and secure operation
- Fast and easy to install and use
- Working load can be increased by using sheave blocks
- Positioning loads with millimetre accuracy
- Secure release system
- Load capacity from 800 - 3200 kg
- Full range of accessories are available – sheave blocks, diverter pulleys, ground anchors and reelers



WLL	Length (mm)	Height (mm)	Depth (mm)	Length With Hook	Wire Rope Diameter (mm)	Lever In/Out (mm)	Movement Back (mm)	Movement Forward (mm)	Weight (kg)	Product Code	Price
800	420	250	99	550	8,3	405/690	46	63	6.6 kg	18109	€705.00
1,600	523	315	127	650	11,5	650/1150	42	57	13.5 kg	18119	€1,080.00
3,200	620	355	130	840	16,3	650/1150	18	36	24 kg	18129	€1,658.00



1. Hook / anchor pin
2. Forward operating lever
3. Reverse operating lever
4. Rope release lever
5. Rope release safety catch
6. Rope guide
7. Wire rope
8. Telescopic operating handle

Tirfor TU series



TU8



TU16



TU32



The Tirfor TU series is developed for daily heavy-duty applications under the most extreme circumstances.

The Tirfor TU hoist is a versatile and portable multi-purpose manual hoist for lifting, pulling and positioning. It can be used for lifting and pulling, but also for lowering, tensioning and securing loads in all directions.

One-man operation by using the telescopic control lever supplied as standard. Spare shear pins for overload protection are supplied as standard.

Proven quality for decades, brand name and market leader – often copied never equalled!

TU range fully compliant with EN13157.

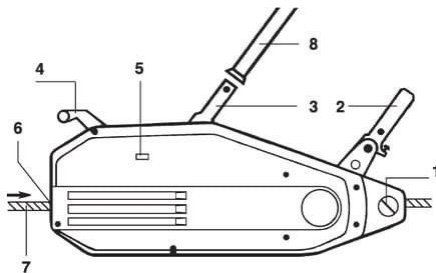


Tracinfo is our product information and documentation platform that gives you access to the documents you require wherever you are. Simply use a QR code reader to scan the identification label on the product or packaging to access a micro website specific to the product where you can download documents such as the User Manual or the Declaration of Conformity - direct to your phone, tablet or computer.

New – you can now also register the details of periodic inspections and maintenance work in Tracinfo and get automatic reminders when the next inspection is due.

- Lightweight and easily portable
- Delivering safe and assured operation in any direction, either in a straight line or using diverter pulleys over an unlimited length
- Low-wear clamping jaws during demanding applications increasing the life of the wire rope
- Overload protection for safe and secure operation
- Fast and easy to install and use
- Working load can be increased by using sheave blocks
- Positioning loads with millimetre accuracy
- Secure release system
- Load capacity from 800 - 3200 kg
- Full range of accessories are available – sheave blocks, diverter pulleys, ground anchors and reels

WLL	Length (mm)	Height (mm)	Depth (mm)	Length With Hook	Wire Rope Diameter (mm)	Lever In/Out (mm)	Movement Back (mm)	Movement Forward (mm)	Weight (kg)	Product Code	Price
800	527	265	108		8,3	395/620	70	76	8.4 kg	18009	€885,00
1,600	660	330	140		11,5	680/1190	56	70	18 kg	18029	€1,330,00
3,200	676	330	156	860	16,3	680/1190	30	48	27 kg	18039	€2,070,00



1. Hook / anchor pin
2. Forward operating lever
3. Reverse operating lever
4. Rope release lever
5. Rope release safety catch
6. Rope guide
7. Wire rope
8. Telescopic operating handle

Maxiflex wire rope

Wire rope is an integral part of every hoist and winch supplied by Tractel (except our chain hoists, of course). Selecting the right wire rope and following a routine maintenance and inspection schedule will ensure that your hoists will operate efficiently for many years.

Using red strand wire rope in all our manual and motorised hoists will ensure the highest level of performance for your equipment. Red stranded wire rope is specially developed and manufactured for use in Tractel products. Proper selection ensures maximum wire rope durability. This is a requirement in situations where the load can spin freely or when reels are used.



- Supplied on transport reel as standard
- Standard version with tip and hook
- Certificate included
- Hook fitted with safety catch
- The desired wire rope length and diameter can be matched to your hoist.

Maxiflex wire rope can also be ordered per metre. Ask our Customer Service for the possibilities.

Wire Rope Type	C8 - 5 strands hook		C12 - 4 strands hook		C16 - 4 strands shackle	
Description	ø wire rope - 8.3mm for T-7/TU-8/T-508		ø wire rope - 11.5mm for T-13/TU-16/T-516		ø wire rope - 16.3mm for T-35/TU-32/T-532	
Length	Code	Price	Code	Price	Code	Price
10 m	1939	€150.00	628	€220.00	708	€345.00
15 m	1949	€187.00	638	€259.00	718	€406.00
20 m	1959	€200.00	648	€295.00	728	€473.00
25 m	1969	€243.00	658	€332.00	818	€537.00
30 m	1979	€256.00	668	€375.00	738	€602.00
40 m	1989	€322.00	688	€450.00	748	€731.00
50 m	1999	€364.00	698	€528.00	758	€860.00
60 m	2009	€474.00	808	€609.00	768	€1,044.00

Coniclamp wire rope clamp



Model	Wire Rope Diameter (mm)	WLL	Weight (kg)	Product Code	Price
EC 10	5 - 10	1,000	1,2	1269	€415.00
EC 14	10.5 - 14	2,000	2,6	1289	€547.00
EC 21	15 - 21	3,000	5,4	1309	€1,009.00



Accessories for Tirfor



Shear pins for Tirfor

Tirfor are supplied with replacement overload shear pins which are located in the forward lever for the TU Series and in the wire rope release handle for the T500D. Additional shear pins are available and are sold individually.

Model	Product Code	Price
shear pin for T508	29506	€3.10
shear pin for T516	29516	€3.30
shear pin for T532	41206	€3.50
shear pin for TU8 & TU16	8836	€3.30
shear pin for TU 32	6866	€8.80



Ground screw anchor

A quick and simple ground anchor point for Tirfor by screwing the anchor into soft ground.

Model	WLL	Product Code	Price
HAA anchor for Tirvit and Jockey	500	5589	€120.00
HAB anchor for tirfor® TU8 / T508	800	3779	€148.00
HAC anchor for tirfor® TU16 / T516	1,600	3789	€176.00
HAD anchor for tirfor® TU32 / T532	3,200	3799	€253.00



Ground anchor with pins

A more robust ground anchor point for Tirfor using 2 connecting plates with 8 pins or 3 connecting plates with 12 pins which are driven into the ground.

Model	Description	Weight (kg)	Product Code	Price
Model 1	2 connecting plates with 8 pins and 3t shackle	36	13599	€867.00
Model 2	3 connecting plates with 12 pins and 5t shackle	54	13609	€1,790.00



Extension rope

Attach the extension rope to the Tirfor wire rope hook to have quick and easy additional wire rope length

Model	Product Code	Price
Extension rope Ø 8 mm 1 m	187189	POA
Extension rope Ø 11,5 mm 1 m	187199	POA
Extension rope Ø 16 mm 1 m	187209	POA

Hand hasp for wire rope

Reels for easy wire rope storage available for lengths from 25m to 100m

Model	Description	Product Code	Price
reel No. 0 - small	C8 - 25m max	889	€32.50
reel No. 1 - standard	C8 - 26-50m C12 - max 25m	909	€37.00
Reel No. 2 - medium	C8 - 51-75m C12 - 26-50m C16 - max 25m	939	€52.00
reel No. 3 - double	C8 - 75-100m C12 - 51-75m C16 - 26-50m	899	€59.50



Drum reel for wire rope

Drum reel for easy handling of the long wire rope length.

Model	Description	Product Code	Price
drum reel 200	C8 - 75-150m C12 - 51-75m C16 - 26-50m	878	€204.00
drum reel 300	C8 - 151-200m C12 - 76-150m C16 - 51-75m	868	€232.00
drum reel 400	C8 - 201-300m C12 - max 200m C16 - max 100m	858	€275.00



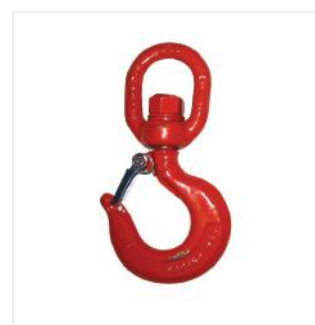
Tirfor box

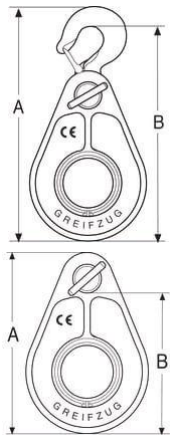
Model	Product Code	Price
tirfor box for TU8 & T508	1408	€352.00
tirfor box for TU16 & T516	1298	€345.00
tirfor box for TU32 & T532	1228	€351.00



Swivel hook

Model	Product Code	Price
swivel hook for T508 rotatable	21857	€85.50
swivel hook for T516 rotatable	21867	€151.00
swivel hook for T532 & TU32, rotatable	21877	€245.00





Pulley UR

Model	WLL	Sheave Diameter (mm)	Wire Rope Diameter (mm)	Height A	Height B	Weight	Product Code	Price
MCW 2.0W	2	160	10,4	270	228	4.2	87849	€370.40
MCW 2,0W with hook	2	160	10.4	326	303	2.5	43549	€321.20
MCW 2.0 M	2	160	10,4	330	298,5	4,15	292889	€402.00
MC 3.2	3.2	140	12	250	200	2.4	3329	€974.00
MC 3.2 - with hook	3.2	140	12	340	310	3.4	292899	€1,109.00
MC 6.4	6.4	200	16.5	310	250	5.5	31629	€1,726.00
MC 6.4 - with eye hook	6.4	200	16,5	480	430	9.5	292909	€2,375.00

Model MCW 2.0 M is voorzien van afbreekbeveiliging + ooghaak



EC Snatch Block

Model	Sheave Diameter (mm)	Wire Rope Diameter (mm)	WLL	Weight (kg)	Product Code	Price
EC1.6-100E9	80/100	8-9	1,600	2.2 kg	80689	€155.00
EC3.2-160E12	132/160	10-12	3,200	4.8 kg	80699	€289.00
EC5-200E15	160/200	13-15	5,000	9.3 kg	80709	€427.00
EC8-250E18	210/250	16-18	8,000	19.4 kg	80719	€610.00



EH Snatch Block

Model	Sheave Diameter (mm)	Wire Rope Diameter (mm)	WLL	Weight (kg)	Product Code	Price
E303H	80/100	8-9	1,000	3 kg	80869	€336.00
E460H*	132/160	7.5-8.3	1,600	7 kg	80969	€497.00
E313H	132/160	10-12	2,000	8.5 kg	80889	€477.00
E323H	160/200	13-15	3,200	18 kg	80909	€869.00
E470H*	160/200	10-11.5	3,200	18 kg	80989	€847.00
E490H	160/200	13-15	5,000	17 kg	81029	€920.00
E333H	210/250	16-18	5,000	22 kg	80929	€1,014.00
E480H	275/336	14-16.3	6,400	34 kg	81009	€1,520.00
E347H	275/336	21-23	8,000	34 kg	80949	€1,889.00



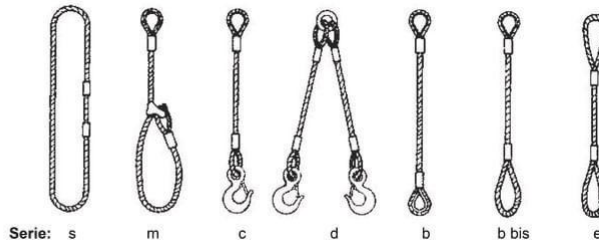
EGZ Snatch blocks for wire rope cables

Model	Sheave Diameter (mm)	Wire Rope Diameter (mm)	WLL	Weight (kg)	Product Code	Price
E303GZ	80/100	8/9	1,000	3 kg	101829	€384.00
E305GZ	80/100	8/9	1,000	3 kg	252119	€476.00
E460GZ	132/160	7.5/8.3	2,400	7 kg	101839	€513.00
E313GZ	132/160	10/12	2,000	8.5 kg	105629	€547.00
E470GZ	160/200	10/11.5	4,800	15.5 kg	101849	€914.00
E323GZ	160/200	13/15	3,200	15.5 kg	192859	€911.00
E490GZ	160/200	13/15	5,000	17 kg	192869	€1,133.00
E333GZ	210/250	16/18	5,000	22 kg	192879	€1,117.00
E480GZ	275/336	14/16.3	6,400	34 kg	101859	€1,637.00
E347GZ	275/336	21/23	8,000	34 kg	192889	€2,135.00

Slings for Tirfor

Model B = wire rope Ø 8.3 mm
 Model C = wire rope Ø 11.5 mm
 Model D = wire rope Ø 16.3 mm

e.g.: **Ce**
 Model Serie
 (here Ø 11.5 mm) (here 2 thimbles)



Sling B

Model	Wire Rope Diameter (mm)	WLL	Number of Falls	Product Code	Price
sling BB < 1m	8,3	0.8	1	46429	POA
sling BB additional meter	8,3	0.8	1	109467	€7.30
sling BB < 1m additional meter	8,3	0.8	1	109477	€7.30
sling BB 1m	8,3	0.8	1	46419	POA
sling BC additional meter	8,3	0.8	1	109447	€7.30
sling BC 1m	8,3	0.8	1	46439	€75.50
sling BD additional meter	8,3	0.8	2	109457	€13.50
sling BD 1m	8,3	0.8	2	46449	€177.00
sling BE additional meter	8,3	0.8	1	109487	€7.30
sling BE 1m	8,3	0.8	1	46459	€31.00
sling BM additional meter	8,3	0.8	1	109437	€7.30
sling BM 1m	8,3	0.8	1	46469	POA
sling BS additional meter	8,3	0.8	1	109427	€13.50
sling BS 1m	8,3	0.8	1	46479	POA

Sling C

Model	Wire Rope Diameter (mm)	WLL	Number of Falls	Product Code	Price
sling CB < 1m additional meter	11,5	1.6	1	109547	€10.50
sling CB < 1m	11,5	1.6	1	46499	€56.00
sling CB additional meter	11,5	1.6	1	109537	€10.50
sling CB 1m	11,5	1.6	1	46489	€51.50
sling CC additional meter	11,5	1.6	1	109517	€10.00
sling CC 1m	11,5	1.6	1	46509	€114.00
sling CD additional meter	11,5	1.6	2	109527	€20.00
sling CD 1m	11,5	1.6	2	46519	€243.00
sling CE additional meter	11,5	1.6	1	109557	€10.50
sling CE 1m	11,5	1.6	1	46529	€48.00
sling CM additional meter	11,5	1.6	1	109507	€10.50
sling CM 1m	11,5	1.6	1	46539	€134.00
sling CS additional meter	11,5	1.6	1	109497	€19.00
sling CS 1m	11,5	1.6	1	46549	POA

Sling D

Model	Wire Rope Diameter (mm)	WLL	Number of Falls	Product Code	Price
sling DB 1m	16,3	3.2	1	46559	€108.00
sling DB < 1m	16,3	3.2	1	46569	€122.00
sling DB <1m additional meter	16,3	3.2	1	109617	€19.00
sling DB additional meter	16,3	3.2	1	109607	€19.00
sling DC 1m	16,3	3.2	1	46579	€157.00
sling DC additional meter	16,3	3.2	1	109587	€19.00
sling DD 1m	16,3	3.2	2	46589	POA
sling DD additional meter	16,3	3.2	2	109597	€36.50
sling DE additional meter	16,3	3.2	1	46599	€87.50
sling DE additional meter	16,3	3.2	1	109627	€19.00
sling DM 1m	16,3	3.2	1	46609	€420.00
sling DM additional meter	16,3	3.2	1	109577	€19.00
sling DS 1m	16,3	3.2	1	46619	POA
sling DS additional meter	16,3	3.2	1	109567	€36.00

Sling E

Model	Wire Rope Diameter (mm)	WLL	Wire Rope Length (m)	Product Code	Price
E1	10	850	1	10209	POA
E1	14	1,700	1	10559	POA
E1	18	2,800	1	10909	POA
E2	10	850	1	10259	POA
E2	14	1,700	1	10609	POA
E2	18	2,800	1	10959	POA
E3	10	850	1	10309	POA
E3	14	1,700	1	10659	POA
E3	18	2,800	1	11009	POA

Jockey wire rope hoist

- Equipped with standard accessories
- Unlimited wire rope length
- Reliable and easy to use
- Workload can be increased by using circulation blocks
- Equipped with overload protection
- Spare shear pins for overload protection are supplied as standard



Jockey J3

Jockey J5

Model	WLL	Length (mm)	Height (mm)	Depth (mm)	Wire Rope Diameter (mm)	Movement Back (mm)	Movement Forward (mm)	Lever	Weight (kg)	Product Code	Price
Jockey J3	300	320	200	40	4,7	28	32	400	1.75	5469	€462.00
Jockey J5	500	310	215	55	6,5	24	34	500	3.75	5479	€757.00

1. Hook / anchor pin
2. Forward operating lever
3. Reverse operating lever
4. Rope release lever
5. Side buttons
6. Rope guide
7. Wire rope
8. Operating handle
9. Anchor sling

Wire rope Ø 4.7, & 6.5 mm for Jockey

Wire Rope Type	J		K	
Description	Ø wire rope - 4,7mm for J3		Ø wire rope - 6,5mm for J5	
Length	Code	Price	Code	Price
10 m - Standard	5839	€72.50	7429	€72.50
20 m	4039	€127.00	7439	€223.00
30 m	4059	€155.00	7489	€277.00
40 m	4129	€197.00	7509	€352.00
50 m	4149	€223.00	7529	€410.00
60 m	4159	€254.00	7539	€462.00

Maxiflex steel wire can also be ordered per metre. Ask our Customer Service for the possibilities.

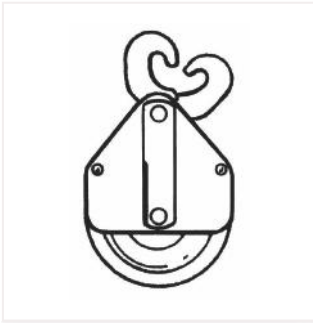
Jockey J3 set

Additional equipment for J3 for doubling the load capacity to 0.6 t or for rope deflection



Model	Product Code	Price
Set pulley, sling & rope	13299	POA

Pulley for Jockey



Model	Product Code	Price
Pulley A03	7479	€163.00

Ground anchor for Jockey



Model	Product Code	Price
Ground anchor for jockey™	5589	€121.00

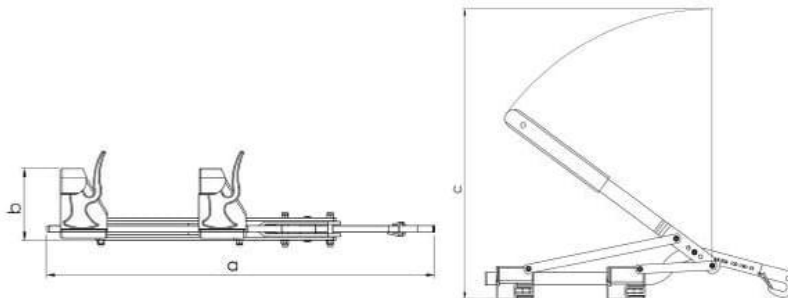


Tirvit rope tensioner

The Tirvit is a hand-operated wire rope tensioner. It is versatile, mobile and multi-purpose, not only for pulling but also for tensioning. The originality of the Tirvit universal wire rope tensioner lies in the principle of operation directly on the steel wire running through the mechanism instead of being wound on a drum of a hoist or conventional winch.

The pulling force is applied through two pairs of self-powered jaws that exert a pressure on the steel wire in proportion to the load to be pulled. An operating lever transfers the force to the jaw mechanism for forward movement of the steel wire.

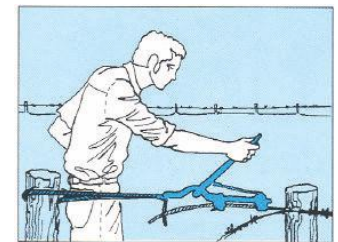
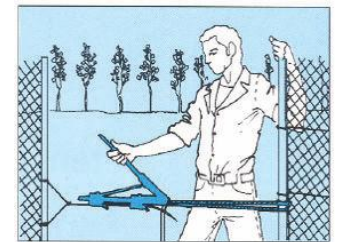
The universal wire rope tensioner is equipped with a chain so that it can be quickly attached to any suitable anchor point.



Fast and easy tensioning of steel wires such as electric transport cables, telephone cables and fence assembly. Also suitable for pulling loads. Not suitable for hoisting.

- Complete with fastening chain
- Suitable for tensioning steel wires
- Suitable for pulling loads

Model	WLL	Wire Rope Diameter (mm)	A	B	C	Movement Back (mm)	Weight (kg)	Weight Without Rope	Product Code	Price
F2	400	6-8	535	88	653	140	4	3,6	1029	€353.00
F3	600	7-15	625	110	730	135	5,2	4,75	1039	€363.00
F4	800	14-18	625	115	720	145	6,2	5,7	1049	€499.00



Tirvit tension clamp

Tension clamp with shackle

- Complete with bow shackle
- Spring-loaded wire rope clamping jaws
- Lightweight enclosure

Model	Traction force (kg)	Wire rope diameter (mm)	Productcode	Price
G2	400	6 - 8	1018	€87.50
G3	600	7 - 15	1028	€108.00
G4	800	14 - 18	1038	€159.00



Lever hoists

Bravo lever hoists from Tractel are particularly suitable for tensioning, lifting, handling and traction operations, with optimum safety thanks to desynchronised pawls preventing any unintentional release of the load.

- Permanent load control
- Automatic load brake closure
- Load limiter as option available
- Free wheel system / neutral position: fast and easy pull through of the load chain
- Roller and block chain guides ensuring a smooth chain action through the hoist
- Galvanised fittings, epoxy paint for much greater resistance to aggressive environments
- Forged steel hooks with 360° rotation and overload opening indicators
- Compact and lightweight, simplifying use and transport
- Rubber handle improves grip
- Complies with Machine Directive 2006/42/CE
- Conforms to EN13157 + A1:2009

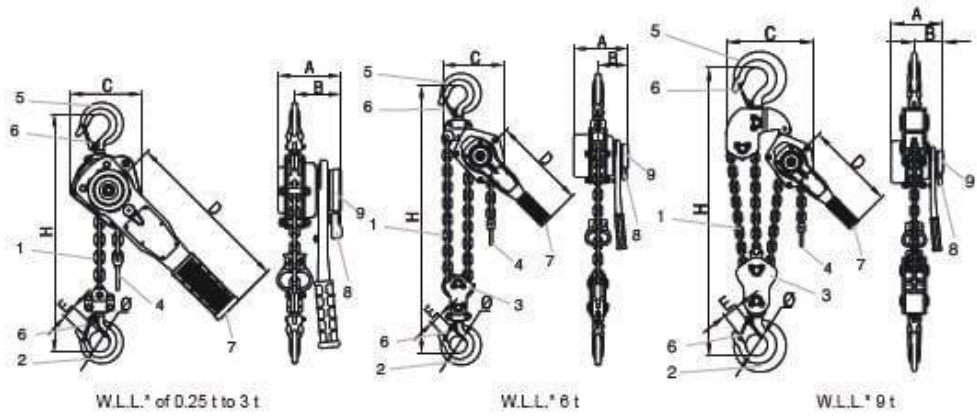


Bravo standard lifting height 1.5 m					Additional lifting height	
WLL (t)	Lifting Height (m)	Number of Falls	Load Chain (mm)	Code/Price	Code/Price lifting height 3m	Additional lifting height per metre
0.25	1,5	1	4x12	35919 €147.00		
0.5	1,5	1	5x15	244029 €298.00	244099 €347.50	353760 €32.00
0.75	1,5	1	6x18	244039 €382.00	244109 €433.00	353770 €33.00
1	1,5	1	6x18	244049 €417.00	244119 €477.00	353780 €33.00
1.5	1,5	1	7x21	244059 €473.00	244129 €534.00	353790 €40.00
3	1,5	1	10x30	244069 €664.00	244139 €744.00	353800 €52.50
6	1,5	2	10x30	244079 €1,148.00	244149 €1,309.00	353810 €102.00
9	1,5	3	10x30	244089 €1,659.00	244159 €1,900.00	353820 €154.00

More additional lifting heights per metre on request.

Bravo lever hoists dimensions & key components

1. Load chain
2. Lifting hook
3. Sheaved lifting hook
4. Low limit stop
5. Suspension hook
6. Safety catch
7. Actuating handle
8. Selector lever
9. Load wheel



WLL (t)	A	B	C	D	E	Ø	Number of parts	Minimum distance between hook	Max. force on lever (daN)	Weight (kg)
0.25	102,5	77	75	157	20	28	1	230	28	2,1
0.5	107	78	121	288	22	35	1	305	50	5
0.75	149	89	125	268	23	37	1	315	30	7
1	149	89	125	268	27	40	1	320	37	7.3
1.5	175	101	146	368	29	45	1	365	47	11.5
3	205	114	191	348	39	55	1	480	45	21.4
6	205	114	229	348	44	68	2	610	47	30.2
9	205	114	341	348	58	85	3	800	48	56.1

All dimensions are in mm.

Bravo lever hoist with load limiter

Equipped with a dynamic load limiter adjusted between 1.1 and 1.9 × WLL. The mechanism of the force limiter is integrated into the lever and is formed by friction discs and a clamping nut used to adjust the limiter. This adjustment is carried out by Tractel®.

Model	WLL (t)	Number of parts	Force on lever at full load (N)	Load chain	Lifting height (m)	Weight (kg)	Product code	Price
bravo™ desync	0.5 t	1	393	5x15	1,5	5	358720	€466.00
bravo™ desync	0.75 t	1	233	6x18	1,5	7	358730	€563.00
bravo™ desync	1	1	310	6x18	1,5	7.3	358740	€598.00
bravo™ desync	1.5 t	1	400	7x21	1,5	11.5	358750	€688.00
bravo™ desync	3	1	390	10x30	1,5	21.4	358760	€926.00
bravo™ desync	6	2	410	10x30	1,5	30.2	358770	€1,410.00
bravo™ desync	9	3	430	10x30	1,5	56.1	358780	€1,921.00

Model	WLL (t)	Number of parts	Force on lever at full load (N)	Load chain	Lifting height (m)	Weight (kg)	Product code	Price
bravo™ desync	0.5 t	1	393	5x15	3	5.84	358790	€516.00
bravo™ desync	0.75 t	1	233	6x18	3	8.2	358800	€614.00
bravo™ desync	1	1	310	6x18	3	8.5	358810	€649.00
bravo™ desync	1.5 t	1	400	7x21	3	13.12	358820	€696.00
bravo™ desync	3	1	390	10x30	3	24.75	358830	€1,007.00
bravo™ desync	6	2	410	10x30	3	36.9	358840	€1,571.00
bravo™ desync	9	3	430	10x30	3	66.1	358850	€2,163.00

Bravo AC aluminium lever hoists

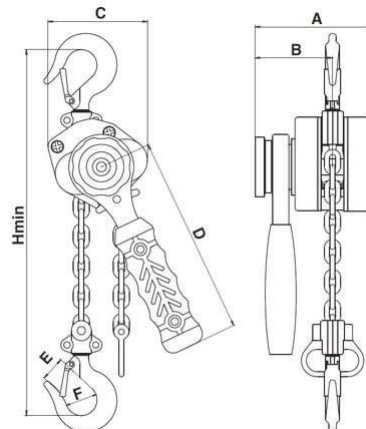


The Bravo AC series lever hoist with aluminium casings is lightweight and easily carried in its own bag, complete with belt loop.

- Aluminium casings
- Compact and lightweight
- Robust design equals less down time
- Easily portable for use anywhere
- Swivel hook
- Pull-through feature to quickly adjust the load chain
- Carry bag with belt loop
- Option: chain locking and shortening device for greater safety ensuring the load or tension is never lost

Model	WLL (t)	Lifting height (m)	Force on lever at full load (N)	Load chain	Weight (kg)	Product code	Price
Bravo AC 250 kg	0.25 t	1,5	170	4 x 12	2.3	251129	€199.00
Bravo AC 250 kg	0.25 t	3	170	4 x 12	2.8	251139	€248.00
Bravo AC 500 kg	0.5 t	1,5	190	5 x 15	3.3	251149	€235.00
Bravo AC 500 kg	0.5 t	3	190	5 x 15	4.1	251159	€290.00

Bravo AC lever hoist dimensions & components



WLL	A	B	C	D	E	Ø	Minimum distance between hook	Max. force on lever (daN)
0.25 t	100	61	80	160	23	32	230	17
0.5 t	110	68	100	160	25	34	270	19

All dimensions are in mm.

Accessories for Bravo

CLD Chain locking device



The CLD chain locking device acts as an adjustable limit on the Bravo & Tralift lever hoist when lowering the load.

The chain locking device can be used with Bravo lever hoists for load lifting, load pulling and rope tensioning applications.

The chain locking device is intended to be a retrofitted accessory to adapt all models and capacities of Bravo & Tralift hoists supplied by Tractel in compliance with the size of the chain.

The CLD acts as a chain end stop, which can be adjusted to any position on the free side of the load chain.

Model	Product Code	Price
250 kg and 500 kg	196438	€8.60
750 kg and 1 ton	196448	€11.50
1.5 ton	196458	€16.50
3.6 ton and 9 ton	196468	€22.50



Stainless steel manual chain hoists

Tralift Cleantech

Tralift Cleantech is a range of stainless steel manual chain hoists.

The Tralift Cleantech series offers a solution for lifting and handling in more specialised areas such as food processing, chemical industries, clean rooms, highly corrosive environments such as water treatment and chlorine atmospheres as well as industries where steam is used.

All components in contact with the environment are manufactured using stainless steel Grade 304.

The encased gears and brake are made of carbon steel.

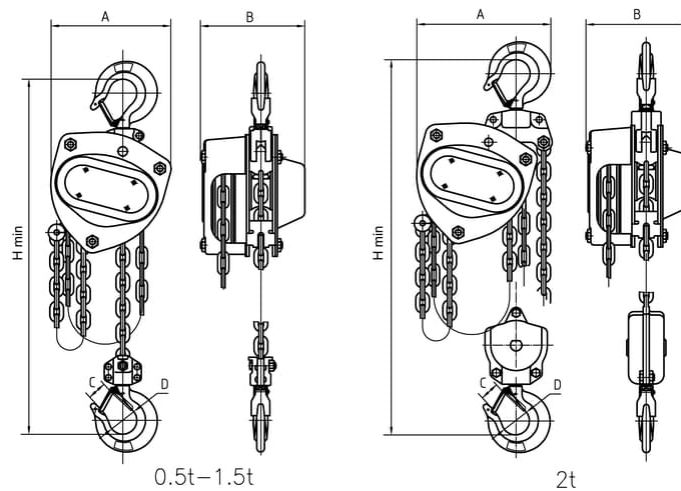
Load and hand chains are also made of stainless steel Grade 304 and importantly so are the top and bottom hooks and safety catches.

The chain hoist can be coupled with the Corso Cleantech push trolley to have a complete set in stainless steel Grade 304.



WLL (t)	Lifting Height (m)	Number of Falls	Load Chain (mm)	Hand Chain (mm)	Code/Price standaard hijshoogte 3m	Code/Price lifting height 1m	Stainless steel load chain per m	Stainless steel hand chain per m
0.5 t	3	1	6x18	5x23.3	294899 €3,400.00	294929 €3,214.00	288027 €65.00	288167 €56.00
1 t	3	1	7x21	5x23.3	294909 €4,000.00	294939 €3,766.00	288037 €89.00	288167 €56.00
2 t	3	2	7x21	5x23.3	294919 €6,000.00	294949 €5,588.00	288047 €178.00	288167 €56.00

Tralift Cleantech dimensions and main components



WLL (t)	Number of parts	A	B	C	D	Min. hook distance	Effort on the hand chain	Load chain (mm)	Hand chain (mm)	Weight (t)
0.5 t	1	172	151	26	40	376	15	6x18	5x23.3	13
1 t	1	172	151	26	40	376	31	7x21	5x23.3	14
2 t	2	192	151	34	50	425	34	7x21	5x23.3	21

Corso cleantech trolley

Corso Cleantech stainless steel trolley

The Corso Cleantech trolley is:

- used as a mobile anchor point on a "H" or "I" beam for lifting devices particularly Tralift Cleantech and are moved by pushing the load,
- a robust device, made with Grade 304 stainless steel,
- specially designed for applications in the food, pharmaceutical, cosmetics and clean room sectors, as well as aggressive environments with salt water or dust due to their excellent resistance to corrosion.

TECHNICAL CHARACTERISTICS

- compact and light device,
- device mainly made up of stainless steel components,
- stainless steel wheels mounted on ball bearings greased for life,
- stainless steel side plates with end bumpers and fall arrest device,
- hanger bar with adjustment spacers, locking nuts and safety pins,
- designed and built to withstand dynamic tests at 1.1 x WLL and static at 1.5 x WLL and to guarantee a minimum mechanical resistance of 4 x WLL

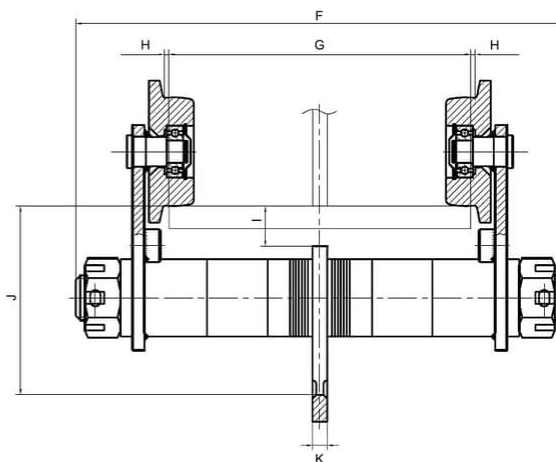
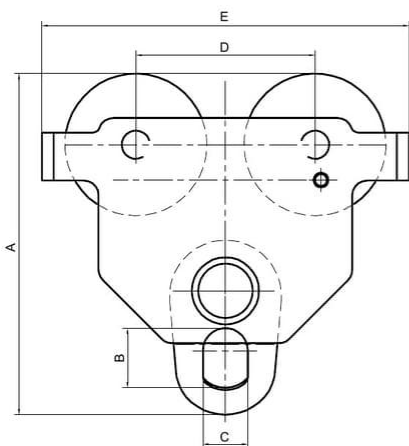
STANDARDS

The devices Corso Cleantech conforms to:

- to the Machine Directive 2006/42 / EC and this machinery fulfils all the relevant provisions of the Supply of Machinery (Safety) Regulations 2008 (SI 2008/1597) as amended (SI 2011/1042, SI 2011/2157, SI 2019/696).
- to the European standard EN13157+A1:2009



Model	A	B	C	D	E	F	G	H	I	J	K	Min.Radius (mm)	Weight (kg)	Product Code	Price
Corso Cleantech 0,5t	187	32	25	100	199	245	50-152	1.5-3	29.5	104	8	1000	5,8	294869	€1,400.00
Corso Cleantech 1t	229	40	30	120	246	327	64-203	1.5-3	27	127	10	1000	12	294879	€2,000.00
Corso Cleantech 2t	268	52	38	132	276	345	88-203	1.5-3	27	150	12	1100	19,5	294889	€3,200.00



Stainless steel manual chain hoist

Tralift Duratech

Tralift Duratech chain hoists are engineered for operation in low corrosive environments with exposure to aggressive substances. Designed specifically for industries like sanitation, chemicals, and vineyards, Tralift Duratech ensures reliable performance even in harsh conditions.

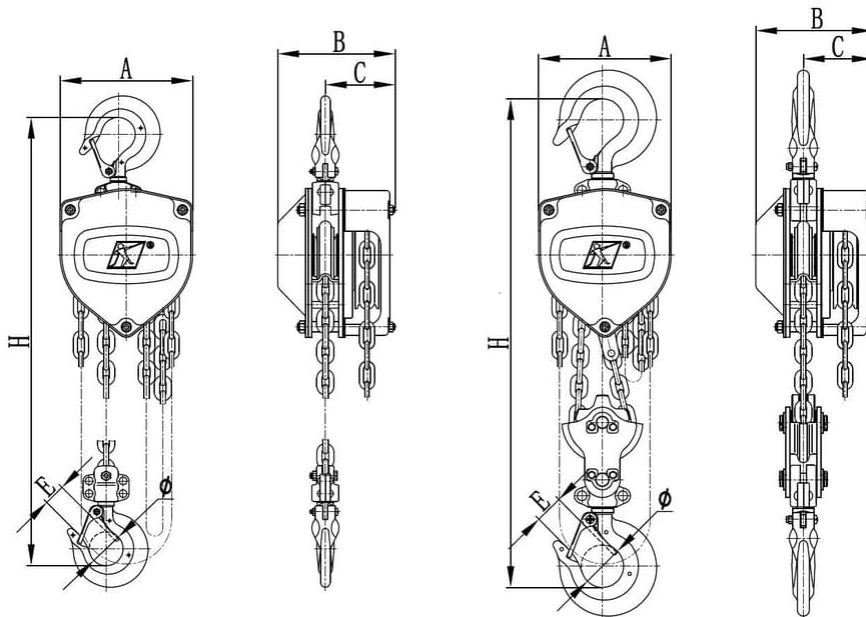
Created by combining a standard Tralift body and operating chain with a robust stainless steel load chain and lifting hook, these hoists guarantee longevity and efficiency. The unique feature of Tralift Duratech lies in its ability to facilitate effortless cleaning of the lifting chain and hook, allowing for regular maintenance and intensive cleaning.

Compatible with our versatile Corso trolley range, these hoists provide a comprehensive lifting solution tailored to your specific needs.



WLL	Lifting Height (m)	Number of Falls	Load Chain (mm)	Hand Chain (mm)	Code standard lifting height 3m	Price	Code lifting height 1 m		stainless steel load chain per m	Hand chain per m	
0.5 t	3	1	6x18	5x24	299169	€715.00	299199	€580.00	288027	238347	€16.20
1 t	3	1	7x21	5x24	299179	€945.00	299209	€760.00	288037	238347	€16.20
2 t	3	2	7x21	5x24	299189	€1,670.00	299219	€1,330.00	288047	238347	€16.20

Tralift Duratech dimensions and main components



WLL	Number of Falls	A	B	C	Ø	Hook Distance (mm)	effort on the hand chain	Load Chain (mm)	Hand Chain (mm)	Weight (kg)
0.5 t	1	156	139	26	40	350	36.5	6x18	5x24	12.4
1 t	1	178	154	26	40	400	40.3	7x21	5x24	16.5
2 t	2	178	154	34	50	550	40.3	7x21	5x24	24.2

Manual chain hoists



The Tralift manual hand chain hoist has a unique Tractel design which is compact, light yet robust, able to tackle the most extreme lifting conditions.

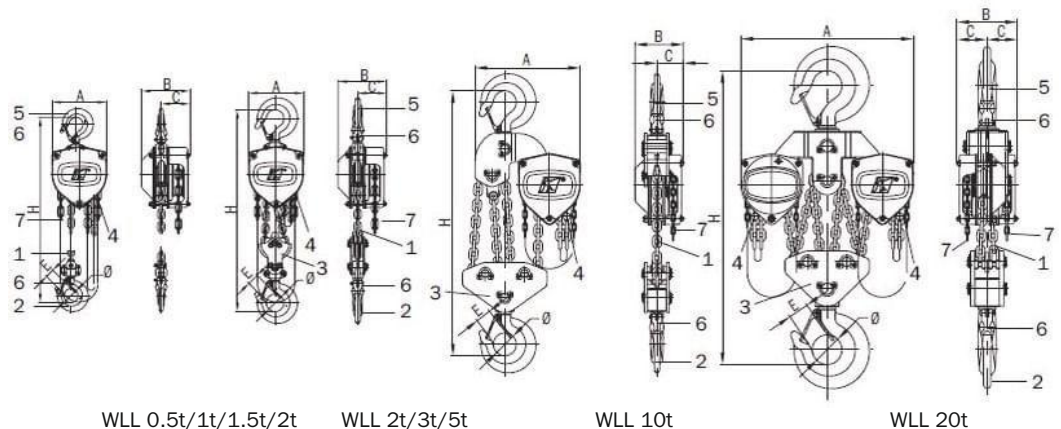
Ideal for rental fleets, industrial and construction application. Tractel also offer Tralift in black format for the entertainment industry.

Certified by TÜV Rheinland to EN13157 for capacities 500kg and above when fitted with Corolim Grade 8 EN818-7 load chain which also offers excellent corrosion protection.

- Corrosion resistant Corolim® load chain with less wear and longer life – EN818-7 compliant
- EN13157 fully compliant TÜV Rheinland certified
- Compact and lightweight
- Robust design with cast steel safety catches
- Easily portable for use anywhere
- Swivel hook with overload indication and robust cast steel safety catches
- Option: Overload protection for safe and secure operation reducing unnecessary damage to the hoist – 0.5t to 20t

Tralift dimensions and components

1. Load chain
2. Lifting hook
3. Pulley block
4. Low limit stop
5. Suspension hook
6. Safety catch
7. Hand chain



WLL (t)	A	B	C	D	Ø	Number of parts	Min. hook distance	Weight (kg)
0.25	100	110	58	20	28	1	230	3,7
0.5	132	117.5	70.5	22	35	1	330	9
1	156	139	83.5	27	40	1	380	12.4
1.5	178	154	87	29	45	1	430	16.5
2	196	156.5	89.5	33	50	1	470	19.6
2	156	139	83.5	33	50	2	520	17.2
3	178	154	87	39	55	2	600	24.2
5	229	180	99	44	68	2	700	42
10	391	180	99	58	85	4	920	85.1
20	641	224	112	77	110	8	1060	165.1

All dimensions in mm.

Tralift hand chain hoist with Corolim chain



Tralift, standard lifting height 3 m						Additional lifting heights	
WLL (t)	Lifting height (m)	Number of Falls	Load Chain (mm)	Hand Chain (mm)	Code/Price	Code/Price lifting height 6m	Additional lifting height per metre
0.25	-	1	4x12	-	56429 €159.00	75779 POA	
0.5	3	1	5x15	5x24	272269 €344.00	272539 POA	353830 €45.00
1	3	1	6x18	5x24	272279 €374.00	272549 POA	353840 €46.00
1.5	3	1	7x21	5x24	272289 €459.00	272559 POA	353850 €52.50
2	3	1	8x24	5x24	272309 €507.00	272579 POA	353860 €55.50
2	3	2	6x18	5x24	272299 €556.00	272569 POA	353870 €75.50
3	3	2	7x21	5x24	272319 €680.00	272589 POA	353880 €88.50
5	3	2	10x30	5x24	272329 €942.00	272599 POA	353890 €114.50
10	3	4	10x30	5x24	272339 €1,958.00	272609 POA	353900 €216.00
20	3	8	10x30	5x24	272349 €4,286.00	272619 POA	353910 €419.00

More additional lifting heights per metre on request.

Tralift manual hoist with load limiter

Model	WLL (t)	Number of parts	Load chain	Lifting height (m)	Weight (kg)	Product code	Price
tralift™ 0,5t 3m 1 fall new design load limiter	0.5	1	5x15	3	9	358860	€495.00
tralift™ 1t 3m 1fall new design load limiter	1	1	6x18	3	12.4	358870	€541.00
tralift™ 1,5t 3m 1fall new design load limiter	1.5	1	7x21	3	16.5	358880	€645.00
tralift™ 2t 3m 1fall new design load limiter	2	1	8x24	3	19.6	358890	€700.00
tralift™ 2t 3m 2falls new design load limiter	2	2	6x18	3	17.2	358900	€723.00
tralift™ 3t 3m 2falls new design load limiter	3	2	7x21	3	24.2	358910	€867.00
tralift™ 5t 3m 2falls new design load limiter	5	2	10x30	3	42	358920	€1,199.00
tralift™ 10t 3m 4falls new design load limiter	10	4	10x30	3	85.1	358930	€2,216.00
tralift™ 20t 3m 8falls new design load limiter	20	8	10x30	3	165.1	358940	€4,748.00

Carol manual winches

The caRol manual winches are for installation in permanent locations for lifting or pulling materials.

- WLL up to 3000kg
- Option to release the drum in unloaded position
- Full capacity on all layers of wire rope
- Automatic brake
- Adjustable crank
- Variable anti spin wire rope length depending on load capacity
- caRol anti spin wire rope winches are available in different versions
- Winch with spur gearing
- Winch with worm gearing
- The anti spin wire rope is wound onto the drum by turning the crank



carol TS series



Model	WLL*	Wire rope diameter (mm)	Max. force on lever (daN)	Capacity wire rope	Wire rope length always wound on the drum (m)	Dimensions (mm)	Weight (kg)	Product Code	Price
TS 250	250	5	11	15	0,6	206 x 140 x 142	9,5	23818	€1,148.00
TS 500	500	7	14	18	0,7	233 x 162 x 175	15	23828	€1,707.00
TS 1000	1,000	9	14	30	1,0	322 x 302 x 302	38	23838	€2,134.00
TS 1500	1,500	11.5	14	23	1,0	370 x 350 x 330	41.5	23848	€3,254.00
TS 2000	2,000	13	14.5	17	1,2	420 x 356 x 390	70	23858	€3,638.00
TS 3000	3,000	16	15	18.5	1,7	530 x 480 x 450	150	23868	€6,796.00

*WLL on the first and last layer

Carol TR series



Model	WLL*	Wire rope diameter (mm)	Max. force on lever (daN)	Capacity wire rope	Wire rope length always wound on the drum (m)	Dimensions (mm)	Weight (kg)	Product Code	Price
TR 300	300	5	12.5	38	0,75	249 x 124 x 190	15,5	23778	€910.00
TR 500	500	7	12.5	18	0,75	249 x 162 x 175	16	23788	€1,200.00
TR 1000	1,000	9	14.5	30	1,00	410 x 180 x 305	44.5	23798	€1,939.00
TR 2000	2,000	13	16.5	25	1,20	510 x 248 x 360	80	23808	€2,527.00

*WLL on the first and last layer

Anti spin wire ropes for Carol drum winches

Model	Wire rope diameter ø (mm)	Length (m)	Product code	Price
wire rope kit Ø 4 mm, length 10 m	4	10	26419	€156.00
wire rope Ø 4 mm, additional metre	4	1	270067	€6.30

Model	Wire rope diameter ø (mm)	Length (m)	Product code	Price
wire rope kit Ø 5 mm, length 10 m	5	10	26449	€159.00
wire rope kit Ø 5 mm, length 20 m	5	20	26459	€225.00
wire rope kit Ø 5 mm, length 30 m	5	30	26469	€286.00
wire rope Ø 5 mm additional metre	5	1	270007	€6.90

Model	Wire rope diameter ø (mm)	Length (m)	Product code	Price
wire rope kit Ø 6 mm, length 10 m	6	10	279939	€86.50
wire rope Ø 6 mm, additional metre	6	1	270077	€5.90

Model	Wire rope diameter ø (mm)	Length (m)	Product code	Price
wire rope kit Ø 7 mm, length 10 m	7	10	26479	€157.00
wire rope kit Ø 7 mm, length 20 m	7	20	26489	€234.00
wire rope kit Ø 7 mm, length 30 m	7	30	26499	€311.00
wire rope Ø 7 mm, additional metre	7	1	270017	€8.30

Model	Wire rope diameter ø (mm)	Length (m)	Product code	Price
wire rope kit Ø 8 mm, length 10 m	8	10	26509	€205.00
wire rope kit Ø 8 mm, length 20 m	8	20	26519	€294.00
wire rope kit Ø 8 mm, length 30 m	8	30	26529	€398.00
wire rope Ø 8 mm, additional metre	8	1	270087	€29.50

Model	Wire rope diameter ø (mm)	Length (m)	Product code	Price
wire rope kit Ø 9 mm, length 10 m	9	10	26539	€188.00
wire rope kit Ø 9 mm, length 20 m	9	20	26549	€305.00
wire rope kit Ø 9 mm, length 30 m	9	30	26559	€415.00
wire rope Ø 9 mm, additional metre	9	1	270027	POA

Model	Wire rope diameter ø (mm)	Length (m)	Product code	Price
wire rope kit Ø 11,5 mm, length 10 m	11.5	10	26569	€256.00
wire rope kit Ø 11,5 mm, length 20 m	11.5	20	26579	€408.00
wire rope kit Ø 11,5 mm, length 30 m	11.5	30	26589	€572.00
wire rope Ø 11,5 mm additional metre	11.5	1	270037	POA

Model	Wire rope diameter ø (mm)	Length (m)	Product code	Price
wire rope kit Ø 13 mm, length 10 m	13	10	26599	€300.00
wire rope kit Ø 13 mm, length 20 m	13	20	26609	€471.00
wire rope kit Ø 13 mm additional metre	13	1	270047	€20.00

Model	Wire rope diameter ø (mm)	Length (m)	Product code	Price
wire rope kit Ø 16 mm, length 10 m	16	10	26629	€432.00
wire rope kit Ø 16 mm additional metre	16	1	270057	€40.50



Minifor

High performance portable electric rope hoists, for work at any height

The operating principle

The drive system consists of a traction sheave whose groove has a special profile: the wire rope is clamped by two pre-tensioned pressure rollers under the action of the load. A pre-tensioned spring acts on these rollers and maintains the grip on the rope, even when there is no load. In addition to the effect of the pre-tensioned spring, the clamping action exerts a pressure which is in proportion to the load.

Properties:

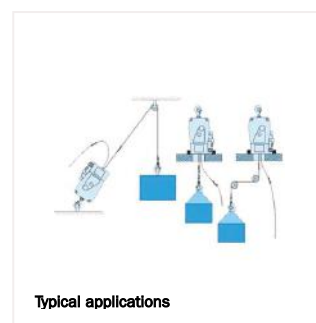
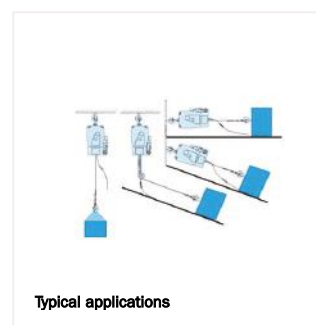
- Loads of 100 kg to 1100 kg possible
- Quick and simple to install
- 3phase current or alternating current
- With operation using a pendant control or radio remote control
- Galvanized wire rope Ø 6.5 mm

Safety:

- IP 65
- Safety swivel hook
- Securing of rope exit by an integrated limit switch
- Overload protection through thermal switch (bimetal sensor)

Advantages:

- Integrated handle
- Simple suspension from a hook
- Robust aluminium housing
- No loss of speed & load bearing capacity
- No limitation in rope length
- Compact & light
- Easy handling due to rapid limit switch assembly
- Powerful motor



Minifor TR serie



Minifor offers a compact, portable motorised solution for lifting, pulling and positioning loads

- Unlimited wire rope length and therefore unlimited lifting height
- WLL from 110 kg to 1100 kg
- Compact, manageable and low self-weight.
- Unique lifting capacity/self-weight ratio.
- Handle for easy carrying
- Power supply 115V and 230V Single or 400V 3 Phase
- Wire rope or kernmantle textile rope version.
- Quick and easy installation and includes a swivel eye hook
- In conformity with Machinery Directive 98/37/EC and the European EN 292 standard.
- WLL increased by using optional sheaving kit
- Upper and lower limit switches
- Optional reelers
- Optional remote control with range up to 500 m
- IP55 protection



Minifor TR Series with wired control panel

Model	WLL (kg)	Forward Speed (m/min)	Voltage (V)	Number of Phases	Power (kW)	Weight (kg)	Product code	Prijs
TR10	100	15	230	1 (monophased)	0,37	21 kg	42789	€3,715.00
TR30	300	5	230	1 (monophased)	0,37	21 kg	42889	€4,012.00
TR30S	300	13	230	1 (monophased)	1,1	32 kg	42989	€4,495.00
TR30S	300	13	400	3 (triphased)	1,1	28 kg	44779	€4,705.00
TR50	500	7	230	1 (monophased)	1,1	32 kg	44849	€4,637.00
TR50	500	7	400	3 (triphased)	1,1	28 kg	44899	€4,762.00

Minifor TR Series with plug-in control panel

Model	WLL	Forward Speed (m/min)	Voltage (V)	Number of Phases	Power (kW)	Weight (kg)	Product Code	Price
TR10	100	15	230	1 (monophased)	0,37	20	279719	€3,895.00
TR30	300	5	230	1 (monophased)	0,37	20	279729	€4,165.00
TR30S	300	13	230	1 (monophased)	1,1	32	279739	€4,666.00
TR30S	300	13	400	3 (triphased)	1,1	32	279749	€4,855.00
TR50	500	7	230	1 (monophased)	1,1	32	279759	€4,787.00
TR50	500	7	400	3 (triphased)	1,1	32	279769	€4,910.00
TR55	550	7	230	1 (monophased)	1,1	32	286869	€5,559.00
TR55	550	7	400	3 (triphased)	1,1	32	286889	€5,880.00
TR110	1,100	3,5	230	1 (monophased)	1,1	32	286909	€7,900.00

Minifor TR Series with radio control

Model	WLL	Forward Speed (m/min)	Voltage (V)	Number of Phases	Power (kW)	Weight (kg)	Product Code	Price
TR10	100	15	230	1 (monophased)	0,37	24	42799	€5,149.00
TR30	300	5	230	1 (monophased)	0,37	24	42899	€5,260.00
TR30S	300	13	230	1 (monophased)	1,1	37	44759	€6,290.00
TR30S	300	13	400	3 (triphased)	1,1	33	44789	€6,387.00
TR50	500	7	230	1 (monophased)	1,1	37	44879	€6,444.00
TR50	500	7	400	3 (triphased)	1,1	34	44919	€6,469.00
TR55	550	7	230	1 (monophased)	1,1	32	286879	€7,193.00
TR55	550	7	400	3 (triphased)	1,1	32	286899	€7,512.00
TR110	1,100	3,5	230	1 (monophased)	1,1	32	286919	€8,509.00



Minifor TR Series with plug-in control box and spring-loaded reel

Model	WLL	Forward Speed (m/min)	Voltage (V)	Number of Phases	Weight (kg)	Product Code	Price
TR10 - 20m	100	15	230	1 (monophased)	38	279599	€7,809.00
TR30 - 20m	300	5	230	1 (monophased)	38	279629	€7,239.00
TR10 - 27m	100	15	230	1 (monophased)	42	279609	POA
TR30 - 27m	300	5	230	1 (monophased)	42	279639	€7,943.00
TR10 - 40m	100	15	230	1 (monophased)	42	279619	€6,724.00
TR30 - 40m	300	5	230	1 (monophased)	42	279649	€7,544.00

Minifor TR Series with spring drum reel and radio control

Model	WLL	Forward Speed (m/min)	Voltage (V)	Number of Phases	Weight (kg)	Product Code	Price
TR10 - 20m	100	15	230	1 (monophased)	41	279659	€8,000.00
TR30 - 20m	300	5	230	1 (monophased)	41	279689	€8,431.00
TR10 - 40m	100	15	230	1 (monophased)	42	279679	€9,361.00
TR30 - 40m	300	5	230	1 (monophased)	42	279709	€10,268.00



Pendant control

(standard 2,5m)

If you require a different length to the standard 2.5 m, please order using the below Product Codes in addition to the Minifor Product Code. Your product will be equipped with the requested length at the factory.

Example:

I want a TR30 with wired control panel and control length of 15m. Then I need to order:

- 1x code 42889 - TR30 with wired control panel
- 1x code 359160 - Control cable extension from 10m (TR10/TR30)
- 15x code 359200 - Control length (per metre)

Model	Product Code	Price
(Fixed) Control cable extension up to 10m	359150	€66.00
(Fixed) Control cable extension from 10m (TR10/TR30)	359160	€144.00
(Fixed) Control cable extension from 10m (TR30S/TR50)	359170	€147.00
Operating length (per metre)	359200	€11.00

Control cable extension

With Minifor extension cable, you can increase the operating length of Plug-in control panel. The extension cable is inserted between the Minifor and the existing Plug-in control panel via plugs.

Model	Product Code	Price
Control cable extension with Harting plug 10 m	106287	€350.00
Control cable extension with Harting plug 15 m	112347	€402.00
Control cable extension with Harting plug 20 m	113197	€453.00

Different cable lengths

Different cable lengths can be assembled based on the codes below.

Example:

I want to have an extension cable of 8 metres. Then I need to order:

- 1x code 359210 - Extension cable up to 10m
- 8x code 359200 - Extension cable (per metre)

Model	Product Code	Price
Extension cable up to 10 m - with Harting plug	359210	€184.00
Extension cable from 10 m - with Harting plug	359220	€247.00
Operating length (per metre)	359200	€11.00

Plugable pendant control

(standard 2,5m)

If you require a different length to the standard 2.5 m, please order using the below Product Codes in addition to the Minifor Product Code. Your product will be equipped with the requested length at the factory.

Example:

I want a TR30 with plug-in control panel and control length of 15m. Then I need to order:

- 1x code 279729 - TR30 with plug-in control panel
- 1x code 359190 - Control cable extension from 10m
- 15x code 359200 - Control length (per metre)

Model	Product Code	Price
(Plug-in) Control cable extension up to 10m	359180	€34.00
(Plug-in) Control cable extension from 10m	359190	€98.00
Operating length (per metre)	359200	€11.00

Pendant Extension

With extended pendant for Minifor, you can increase the operating length of a Minifor with a Plug-in control panel. The extended handle is connected directly to the Minifor plug via a plug.

Model	Product Code	Price
10 m pendant extension with Harting connector	463340	€399.00
20 m pendant extension with Harting connector	463250	€491.00
30 m pendant extension with Harting connector	463330	€594.00

Different cable lengths

Different cable lengths can be assembled based on the codes below.

Example:

I want to have an extended pendant of 12 metres. Then I need to order:

- 1x code 359240 - Extension cable from 10m
- 12x code 359200 - Extension cable (per metre)

Model	Product Code	Price
Extension pendant up to 10 m - with Harting plug	359230	€225.00
Extension pendant from 10 m - with Harting plug	359240	€288.00
Operating length (per metre)	359200	€11.00



Minifor TR series accessories



Sheaving kit for Minifor

Model	Product Code	Price
sheaving kit TR10/TR30 with safety hook	217897	€609.00
sheaving kit TR30S/TR50 with safety hook	217887	€681.00



ELC - ELS pulleys

This lightweight & compact pulley (1t) is ideal for use in Offshore applications or together with the Minifor hoist. The pulley is designed to be as compact as possible for use in lift cages, to install the lift motor.

- For temporary lifting of cables
- Allows quick assembly/disassembly or configuration changes
- Two versions, ELC and ELS with safety hook (but less compact)

Model	Description	Sheave diameter	Wire rope diameter ϕ (mm)	WLL (kg)	Weight (kg)	Product code	Price
ELC1-70E7	equipped safety clasp	with	55	6.5/7 1,000	1.6	252209	€266.00
ELS1-70E7	equipped safety hook	with	55	6.5/7 1,000	1.8	252259	€434.00



Box for Minifor TR

Model	Product Code	Price
Box for Minifor with rope - 580x375x355	60665	€335.00
Box for Minifor TR 10/TR 30	60485	€340.00
Box for Minifor TR 30S/TR 50	102715	€438.00



Wire rope for Minifor (Ø 6,5 mm)

Supplied on a transport reel as standard. Also available on a drum reel and in non-standard lengths on request. The Ø 6.5 mm wire rope has a hook with safety catch on one side and a tip on the other side. Supplied on a winding reel up to 60 metres and for 100 metres on a hand reel.

- Minimum breaking load: 2,800 daN
- Supplied on transport reel as standard
- Certificate included
- Standard version with tip and hook
- Hook fitted with safety catch
- Different lengths available



Maxiflex wire rope can also be ordered per metre. Ask our Customer Service for the possibilities.

Model	Length (m)	Product Code	Price
Red strand wire rope 10 m	10	108749	€227.00
Red strand wire rope 20 m	20	60999	€296.00
Red strand wire rope 30 m	30	61009	€362.00
Red strand wire rope 40 m	40	61989	€440.00
Red strand wire rope 50 m	50	61019	€511.00
Red strand wire rope 60 m	60	61029	€565.00
Red strand wire rope 100 m	100	61049	€902.00
Fitting tip hook for red strand wire rope Ø 6,5 mm	-	185999	POA

Limit springs

The limit spring activates the upper and lower limit switches.

Model	Product Code	Price
limit spring rope Ø 6,5 mm	22217	€29.00
limit spring rope Ø 5 mm	22097	€40.00

Wire rope counterweight

A wire rope counterweight is needed to ensure the wire rope tension for wire ropes with length bigger than 80 m.

Model	Product Code	Price
Rope mass (rope > 80 m)	49005	€11.50

Reels

Reels are intended to store the wire rope when it isn't in use.

Model	Product Code	Price
Hand reel for wire ropes up to 50 m	889	€33.00
Drum reel for wire ropes up to 50 m	22107	€65.50
Drum reel for wire ropes up to 200 m	878	€204.00



Minifor SY-serie

The Minifor TR125 SY hoist is equipped with a special synthetic rope. It can be used to lift over great heights (standard rope length up to 200 m, longer ropes upon request). The torque is steady and speed is also stable at 30 m/min. The motor integrated brake makes it intrinsically safe in operation. The Minifor TR125 SY hoist is available with different voltages and is suitable for various applications. It is operated through a push button pendant control. As an option, the Minifor TR125 SY hoist can be equipped with a wireless remote control.



- Special synthetic rope
- Lightweight
- Quick installation
- Unlimited wire rope length
- Easy to use, light-weight, robust, powerful
- Working load can be increased with sheaving kit
- Up and down limit switches
- Strong, robust and versatile (IP55)

Model	WLL	Forward Speed (m/min)	Voltage (V)	Power (kW)	Weight (kg)	Description	Product Code	Price
TR125 SY	125	30 m/min	230	0,75	20	with pendant control 2,5 m	245169	€4,045.00
TR125 SY	125	15 m/min	230	0,37	20	with pendant control 2,5 m	245179	€3,556.00
TR125 SY	125	30 m/min	400	0,75	20	with pendant control 2,5 m	245189	€4,195.00
TR125 SY	125	30 m/min	230	0,75	20	with control cable and cupling	245229	€4,579.00
TR125 SY	125	15 m/min	230	0,37	20	with control cable and cupling	245239	€3,355.00
TR125 SY	125	30 m/min	400	0,75	20	with control cable and cupling	245249	€3,903.00
TR125 SY	125	15 m/min	230	0,37	20	with radio remote control	245279	€5,446.00
TR125 SY	125	30 m/min	230	0,75	20	with radio remote control	245289	€7,548.00
TR125 SY	125	30 m/min	400	0,75	20	with radio remote control	245299	€6,748.00



Minifor SY series accessories

Kernmantel rope for Minifor

The kernmantle rope has been developed especially for use in combination with the electric Minifor SY hoists, and can be used under the most extreme circumstances.

The kernmantle rope is made of durable polyester and has a 9.4 mm diameter. Maximum length 200 m. The rope can be identified by a blue braided cable. The core has a ribbon with Tractel marking.

- Durable
- Available in various lengths

Model	Product Code	Price
Kernmantle rope \varnothing 9.4mm, length 20m, hook with safety catch	187228	€358.00
Kernmantle rope \varnothing 9.4mm, length 20m, self-locking hook	187268	€360.00
Kernmantle rope \varnothing 9.4mm, length 20m, self-locking swivel hook	187248	€413.00
Additional rope	238587	€3.80



Drum reel for kernmantle rope

Model	Product Code	Price
plastic reel, up to 100 m	143865	€33.50
plastic reel, up to 200 m	143875	€34.50
Metal drum reel, up to 200 m	187278	€370.00



Sheaving kit for Minifor

Model	Product Code	Price
Sheaving Kit MPM	217877	€595.00



Box for Minifor SY

Model	Product Code	Price
Metal transport box	60665	€335.00
Plastic transport box	231917	€340.00





Tirak



Traction hoists with limitless pulling length for man riding and material lifting

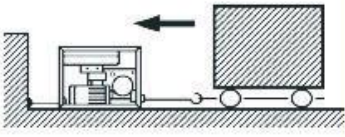
- Capacity from 300 to 3000 kg
- Compact
- Always profitable
- Diversity of applications
- Robust components
- Low-wear components
- Easy handling

The compact dimensions and low weight enable easy handling and simplify the integration of the Tirak hoist into your own applications, thus increasing productivity and efficiency. An Increase of load capacity is possible by using reeving pulleys



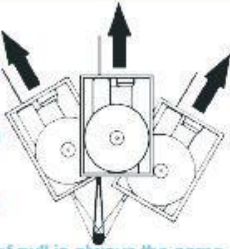
Tirak application & Coding

ANCHORED TO THE FRAME



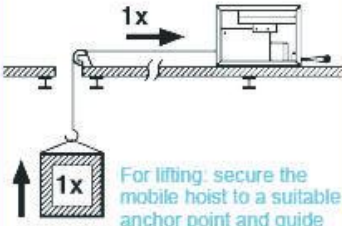
Secure the mobile hoist to a suitable anchor point by using a sling, chain or other securing method and you will be ready to start working.

ORIENTATION



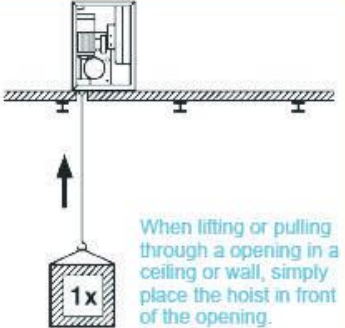
The tirak™ hoist will automatically rotate around its attachment in the direction of the force. Contrary to a drum hoist, the direction of pull is always the same because of the steady wire rope output. In addition, the speed and force are constant.

LIFTING LOADS



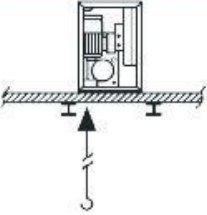
For lifting: secure the mobile hoist to a suitable anchor point and guide the wire rope through 1 or more sheave blocks.

DIRECT LIFTING OR PULLING



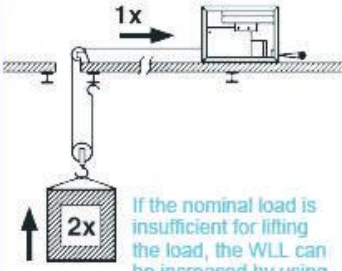
When lifting or pulling through a opening in a ceiling or wall, simply place the hoist in front of the opening.

POSITIONING



If the opening is not large enough for the hook, first position the hoist and guide the wire rope with the tip through the opening and into the Tirak™.

LIFTING AND REEVING



If the nominal load is insufficient for lifting the load, the WLL can be increased by using a number of blocks/ sheaves.

TYPE CODING STRUCTURE, INFINITE POSSIBILITIES

CUSTOMISATION

- Each Tirak is assembled and produced in accordance with customer requirements. We will be happy to advise and support you while assembling the optimal Tirak for your application.
- Type coding structure

L 500 P
X A 502 P
X 1532

Tirak^T-Type
 L = 1 driver disc (lightweight)
 X = 1 driver disc
 T = 2 driver discs

Version
 P = Man riding

A = Air operated
 D = Dual wire rope Tirak

Capacity [kg]

3	=	300
4	=	400
5	=	500
6	=	600
8	=	800
10	=	980
10	=	1000
11	=	1150
12	=	1250 ¹⁾
15	=	1500 ¹⁾
20	=	2000
30	=	3000 ¹⁾

Rope - Ø [mm]

0	=	8
1	=	6
2	=	9
3	=	10
4	=	11
5	=	14

Working speed [m/min]

Kind of motor*	Working speed [m/min]			
	50 Hz	60 Hz	for X 2000 / 3000	
0 = 3 Ph	9	11	6	7
or air motor or hydraulic motor				
2 = 3 Ph	18	22	12	14
3 = 3 Ph	9/18	11/22	6/12	7/14
4 = 3 Ph	4,5	5,5	4,5	5,4
5 = 3 Ph	4,5/9	5,5/11	3/6	3,5/7
6 = 3 Ph	4,5/18	5,5/22	3/12	3,5/14
7 = 3 Ph	variable speed (0 to 9 / 18 / 30)			
1 = 1 Ph	9	11	—	—

Kind of motor*:
 3 Ph = 3 phase motor
 1 Ph = single phase motor

¹⁾ For Material application only

Tirak hoist for material handling



The Tirak by Tractel is the number one motorised traction hoist worldwide. With its rope pass-through design, the Tirak allows for unlimited rope lengths, providing ultimate flexibility. No matter your application, the Tirak ensures safe and reliable lifting.

The T-series

When your application calls for moving material back and forth, the T-series is the ideal solution. Equipped with two traction sheaves, the T-series is capable of pulling both forwards and backwards with the same force.

The X-series

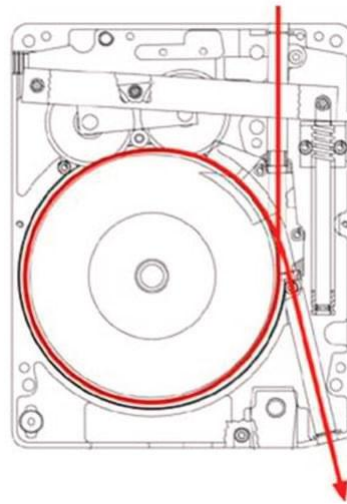
The X-series is the ideal solution for applications that require lifting in only one direction. Built using a single traction sheave, the X-series allows for easy maneuvering of heavy loads.

No matter the position of the load, the Tirak provides constant lifting speed. When you choose Tirak hoists, you are guaranteed:

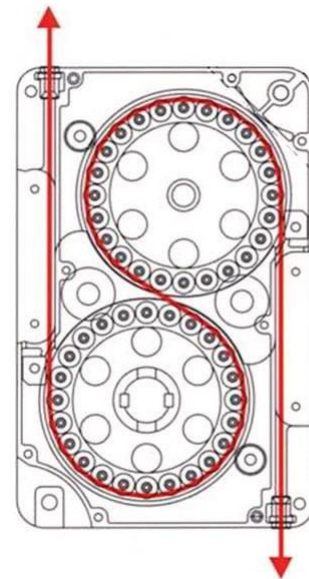
- Quality: combining proven technology with state-of-the-art production methods. Robust, powerful and easy to transport, the Tirak provides the ultimate in efficiency and durability, even in harsh working conditions
- Reliability: low cost of ownership thanks to its unique design and the extremely gentle rope drive which extends rope service life
- Safety: multiple levels of safety built into the hoist. All relevant standards and safety regulations are considered during the development and design of the Tirak.

A complete range of Tirak models offers WLLs from less than 300kg up to 3000kg for material applications.


For more detailed information about the Tirak traction hoist, contact your local Tractel distributor.





X-Serie



T-Serie

 Order products on day 1, will be shipped no later than day 2

 Order products on day 1, will be shipped no later than day 3. Maximum quantities apply for this service.

 Available on request. Please enquire about delivery times of these items.

Tirak hoist for material handling with remote control

X300

Model	Wire rope Diameter (mm)	WLL (kg)	Speed (m/min)	Voltage (V)	Frequency (Hz)	Tension (A)	Weight (kg)	Description	Product code	Price
X300	8	300	9	400	50	2	27	hard-wired pendant control	283219	€9,389.00
X300	8	300	9	400	50	2	27	pluggable pendant control	283229	€9,543.00
X302	8	300	18	400	50	2	27	hard-wired pendant control	283239	€9,558.00
X302	8	300	18	400	50	3	27	pluggable pendant control	283249	€9,713.00

X400

Model	Wire rope Diameter (mm)	WLL (kg)	Speed (m/min)	Voltage (V)	Frequency (Hz)	Tension (A)	Weight (kg)	Description	Product code	Price
X400	8	400	9	400	50	2,5	29	hard-wired pendant control	188669	€7,916.00
X400	8	400	9	400	50	2,5	29	pluggable pendant control	283259	€10,123.00
X401	8	400	9	230	50	5,7	32	hard-wired pendant control	188699	€10,083.00
X401	8	400	9	230	50	5,7	32	pluggable pendant control	283269	€10,862.00
X402	8	400	18	400	50	3,8	31	hard-wired pendant control	188679	€9,605.00
X402	8	400	18	400	50	3,8	31	pluggable pendant control	283279	€9,759.00
X403	8	400	9/18	400	50	2,2/4,5	35	hard-wired pendant control	188689	€9,767.00
X403	8	400	9/18	400	50	2,2/4,5	35	pluggable pendant control	283289	€9,891.00

X500

Model	Wire rope Diameter (mm)	WLL (kg)	Speed (m/min)	Voltage (V)	Frequency (Hz)	Tension (A)	Weight (kg)	Description	Product code	Price
X500	8	500	9	400	50	3	40	hard-wired pendant control	283299	€10,407.00
X500	8	500	9	400	50	3	40	pluggable pendant control	283319	€10,560.00
X501	8	500	9	230	50	7	49	hard-wired pendant control	283329	€10,434.00
X501	8	500	9	230	50	7	49	pluggable pendant control	283339	€11,582.00
X503	8	500	9/18	400	50	3,6/6,7	47	hard-wired pendant control	283439	€10,160.00
X503	8	500	9/18	400	50	3,6/6,7	47	pluggable pendant control	283449	€10,987.00

Infobox:

- Remote control pluggable or wired comes with 3m cable
- Upper limit switch built-in on Tirak and wired
- Supplied with 1m power cable



Tirak hoist for material handling with remote control

X600

Model	Wire rope Diameter (mm)	WLL (kg)	Speed (m/min)	Voltage (V)	Frequency (Hz)	Tension (A)	Weight (kg)	Description	Product code	Prijs
X600	8	600	9	400	50	4,3	53	hard-wired pendant control	283459	POA
X600	8	600	9	400	50	4,3	53	pluggable pendant control	283469	€10,833.00
X601	8	600	9	230	50	10	59	hard-wired pendant control	283479	€11,775.00
X601	8	600	9	230	50	10	59	pluggable pendant control	283489	€11,930.00
X602	8	600	18	400	50	6,8	57	hard-wired pendant control	283529	€4,913.00
X602	8	600	18	400	50	6,8	57	pluggable pendant control	283539	€5,318.00
X603	8	600	9/18	400	50	4,5/8,7	66	hard-wired pendant control	283549	€11,971.00
X603	8	600	9/18	400	50	4,5/8,7	66	pluggable pendant control	283569	€12,095.00

X800

Model	Wire rope Diameter (mm)	WLL (kg)	Speed (m/min)	Voltage (V)	Frequency (Hz)	Tension (A)	Weight (kg)	Description	Product code	Price
X800	8	800	9	400	50	4,5	45	hard-wired pendant control	283579	€10,671.00
X800	8	800	9	400	50	4,5	45	pluggable pendant control	283589	€10,825.00
X802	8	800	18	400	50	8,8	49	hard-wired pendant control	188759	€8,840.00
X802	8	800	18	400	50	8,8	49	pluggable pendant control	283599	€11,373.00
X803	8	800	9/18	400	50	4/8	49	hard-wired pendant control	188779	€8,480.00
X803	8	800	9/18	400	50	4/8	49	pluggable pendant control	283619	€11,072.00
X805	8	800	4,5/9	400	50	3/4,2	50	hard-wired pendant control	188769	€10,941.00
X805	8	800	4,5/9	400	50	3/4,2	50	pluggable pendant control	283639	€11,650.00

X1000

Model	Wire rope Diameter (mm)	WLL (kg)	Speed (m/min)	Voltage (V)	Frequency (Hz)	Tension (A)	Weight (kg)	Description	Product code	Price
X1020	9	980	9	400	50	4,6	45	hard-wired pendant control	283649	€10,027.00
X1020	9	980	9	400	50	4,6	45	pluggable pendant control	283659	€9,919.00
X1023	9	980	9/18	400	50	4,5/8,5	56	hard-wired pendant control	283669	€11,433.00
X1023	9	980	9/18	400	50	4,5/8,5	56	pluggable pendant control	283679	€12,271.00
X1025	9	980	4,5/9	400	50	3,5/4,8	55	hard-wired pendant control	283699	€11,758.00
X1025	9	980	4,5/9	400	50	3,5/4,8	55	pluggable pendant control	283759	€11,882.00

Infobox:

- Remote control pluggable or wired comes with 3m cable
- Upper limit switch built-in on Tirak and wired
- Supplied with 1m power cable

Tirak hoist for material handling with remote control

X1000

Model	Wire rope Diameter (mm)	WLL (kg)	Speed (m/min)	Voltage (V)	Frequency (Hz)	Tension (A)	Weight (kg)	Description	Product code	Price
X1026	9	980	4,5/18	400	50	4/9,6	71	hard-wired pendant control	188809	€16,351.00
X1026	9	980	4,5/18	400	50	4/9,6	71	pluggable pendant control	283769	€13,526.00
X1230	10	1,250	11	400	60	7	49	hard-wired pendant control	283989	€11,727.00
X1530	10	1,500	9	400	50	7	49	hard-wired pendant control	283889	€11,750.00
X1530	10	1,500	9	400	50	7	49	pluggable pendant control	283899	€11,902.00

X3000

Model	Wire rope Diameter (mm)	WLL (kg)	Speed (m/min)	Voltage (V)	Frequency (Hz)	Tension (A)	Weight (kg)	Description	Product Code	Price
X3050	14	3,000	6	400	50	9,9	105	hard-wired pendant control	283939	€19,433.00
X3050	14	3,000	6	400	50	9,9	105	pluggable pendant control	283949	€19,424.00
X3052	14	3,000	12	400	50	17	117	hard-wired pendant control	283959	€19,366.00
X3052	14	3,000	12	400	50	17	117	pluggable pendant control	283979	€19,944.00

T1000

Model	Wire rope Diameter (mm)	WLL (kg)	Speed (m/min)	Voltage (V)	Frequency (Hz)	Tension (A)	Weight (kg)	Description	Product code	Price
T1020	9	980	9	400	50	4,6	71	hard wired pendant control	188829	€12,351.00
T1020	9	980	9	400	50	4,6	71	pluggable pendant control	283799	€15,046.00
T1023	9	980	9/18	400	50	5,5/9,5	87	hard wired pendant control	188859	€17,381.00
T1023	9	980	9/18	400	50	5,5/9,5	87	pluggable pendant control	283829	€16,858.00
T1025	9	980	4,5/9	400	50	3,6/4,6	85	hard wired pendant control	188839	€17,163.00
T1025	9	980	4,5/9	400	50	3,6/4,6	85	pluggable pendant control	283859	€16,766.00
T1026	9	980	4,5/18	400	50	4/9,7	97	hard wired pendant control	188849	€13,923.00
T1026	9	980	4,5/18	400	50	4/9,7	97	pluggable pendant control	283879	POA

Infobox:

- Remote control pluggable or wired comes with 3m cable
- Upper limit switch built-in on Tirak and wired
- Supplied with 1m power cable



Tirak accessories



Transport trolley for Tirak

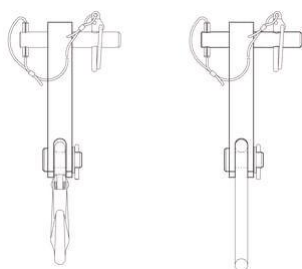
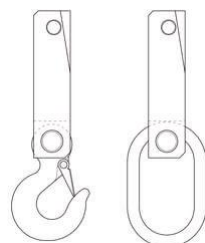
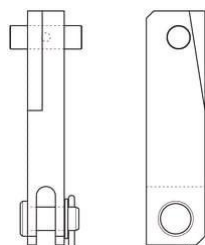
- Transport trolley for Tirak series X500, X700, X800, X1000, X1530.
- Ergonomic and light, the trolley allows Tirak to be transported by only one person on any type of terrain.
- Adjustable handle to allow a perfect transport within a range of 1.000 to 1.300 mm high.

This compact solution allows it to be left on the Tirak when in operation.

The wheels and their removable shafts allow the trolley to be left and used on the tirak™ within limited space.

- Trolley dimensions: 1130x550x400mm (HxWxL)
- Weight: 8,8 kg
- Off-road wheels: 260x85mm (three-wheel solution can be ordered as an option)
- Handle bar: 1.000 – 1.300 mm high

Model	Product Code	Price
transport trolley for Tirak	247329	€635.00



Suspension Adapters for Tirak Hoists

Model	Description	Product Code	Price
Type A	Suspension adapter for X500-X1530	48657	€109.00
Type B	Suspension adapter with hook. For X500-X1530	48727	€187.00
Type B	Suspension adapter with eye. For X500-X1530	48717	€118.60
Type C	Suspension adapter with removable hook. For X300/L500	180157	€154.00
Type C	Suspension adapter with removable eye. For X300/L500	180167	€142.40
Type C	Suspension adapter with removable hook. For X500-X1530	58527	€155.80
Type C	Suspension adapter with removable eye. For X500-X1530	58537	€144.00



Tirak packaging

Model	Product Code	Price
wooden box for Tirak X300 / X400	26980	€117.00
wooden box for Tirak X500 / X800 / X1000	21450	€343.10
wooden box for Tirak T1000	21320	POA
wooden box for Tirak X1530	56010	POA
wooden box for Tirak X3000	56000	€347.00

Tirak accessories

Maxiflex wire rope

The Maxiflex wire rope has been specially developed for optimal and Tractel-guaranteed use in combination with Tirak hoists in the most extreme conditions. Supplied on a transport reel as standard.



- Specially developed for Tirak
- Supplied on transport reel as standard
- Including certificate
- Standard version with tip and hook
- Hook fitted with safety catch
- Also available on a drum reel on request and available in any wire rope length.

Maxiflex wire rope can also be ordered per metre. Ask our Customer Service for the possibilities.

Wire Rope Type	wire rope 8.3mm	wire rope 9.5mm	wire rope 10.2mm	wire rope 14.3mm
genCode	46129	17389	352040	34429
productModelName	wire rope 8.3mm	wire rope 9.5mm	wire rope 10.2mm	wire rope 14.3mm

Length	Code	Price	Code	Price	Code	Price	Code	Price
20	46129	€251.00	17389	€275.00	352040	€288.00	34429	€568.00
30	46139	€321.00	17409	€352.00	352050	€369.00	34439	€693.00
40	46149	€337.00	17429	€431.00	352000	€446.00	34449	€932.00
50	46159	€390.00	17449	€502.00	352060	€527.00	34459	€1,012.00
60	46169	€449.00	17469	€577.00	352070	€609.00	34469	€1,420.00
70	46179	€504.00	17489	€653.00	352080	€693.00	34479	€1,754.00
80	46189	€556.00	17509	€730.00	352090	€773.00	34489	€1,903.00
90	46199	€608.00	17529	€799.00	352100	€856.00	34499	€1,916.00
100	46209	€660.00	17549	€885.00	352110	€941.00	34509	€2,324.00

Maxiflex Non-Rotating Wire Rope

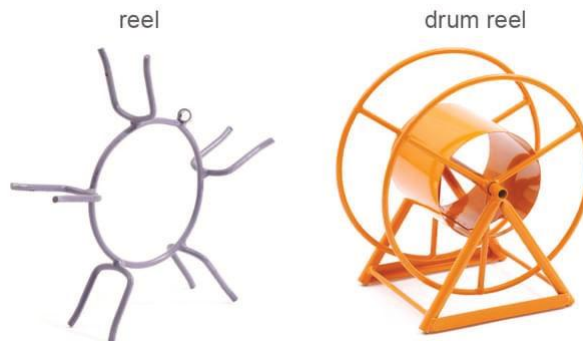
The Maxiflex non-rotating wire rope has been developed especially to prevent non-guided loads from rotating if they are suspended freely in the air. Upon request the non-rotating wire rope will be produced and manufactured especially for you. The Maxiflex wire rope is guaranteed by Tractel, in combination with Tirak hoists, and can be used under the most extreme circumstances.

- Non-rotating rope for non-guided loads
- Developed especially for Tirak
- Including certificate
- Available in any required length
- Standard version with tip and hook
- Hook with safety catch
- Also available on a drum reel and available in any required length


Model	Description	Price
Wire rope 8.3mm	Ordered per metre	POA
Wire rope 9.5mm	Ordered per metre	POA
Wire rope 10.2mm	Ordered per metre	POA
Wire rope 14.3mm	Ordered per metre	POA


Drum reel for wire rope


Model	Product Code	Price
reel No. 0 - small	889	€32.50
reel No. 1 - standard	909	€37.00
Reel No. 2 - medium	939	€52.00
reel No. 3 - double	899	€59.50
drum reel 200	878	€204.00
drum reel 300	868	€232.00
drum reel 400	858	€275.00



Type:	Wire rope diameter and capacity per metre					Code:
	6mm	8mm	9mm	10mm	14mm	
Reel No. 0	50 m	30 m	25 m	20 m		889
Reel No. 1	120 m	60 m	50 m	40 m		909
Reel No. 2	200 m	130 m	120 m	80 m	30 m	939
Drum reel 200	250 m	150 m	130 m	110 m	60 m	878
Drum reel 300	380 m	240 m	200 m	170 m	90 m	868
Drum reel 400	540 m	340 m	300 m	260 m	130 m	858
Drum reel 500	680 m	430 m	340 m	300 m	160 m	30938
Drum reel 650	850 m	540 m	400 m	360 m	200 m	31788
Wooden reel 1		1000 m	1000 m	1000 m	500 m	10478
Wooden reel 2					1000 m	10488

 Order products on day 1, will be shipped no later than day 2

 Order products on day 1, will be shipped no later than day 3. Maximum quantities apply for this service.

 Available on request. Please enquire about delivery times of these items.

Tirak mobile hoist

Tirak hoists can be equipped with a mobile frame in order to provide them with better protection against day-to-day damage or for easier transport.

This simplifies the handling of larger hoists or models fitted with a wire rope reeler, in particular, and reliably protects the Tirak against hard impacts. A separate wire rope reeler can also be integrated into the frame if especially long ropes need to be wound up or stored.



Frame with 60m reel X300 - X400 (code 39389)

Model	Wire rope length (m)	Wire rope diameter ø (mm)	WLL (kg)	Lifting speed (m/min)	Voltage (V)	Frequency (Hz)	Tension (A)	Weight (kg)	Product code	Price
X300	60	8	300	9	400	50	1,4	60	188909	€6,539.00
X302	60	8	300	18	400	50	3	60	188919	€8,079.00

Frame with 60m reel X500 - X800 (code 39399)


Model	Wire rope length (m)	Wire rope diameter ø (mm)	WLL (kg)	Lifting speed (m/min)	Voltage (V)	Frequency (Hz)	Tension (A)	Weight (kg)	Product code	Price
X500	60	8	500	9	400	50	1,6	75	188939	€9,659.00
X503	60	8	500	9/18	400	50	2,5 & 3,4	85	188969	€11,732.00
X504	60	8	500	4,5	400	50	2,5	75	188929	€9,417.00
X505	60	8	500	4,5/9	400	50	3,3 & 3,6	85	188949	€10,834.00
X506	60	8	500	4,5/18	400	50	2,0 & 5,5	85	188959	€11,525.00
X800	60	8	800	9	400	50	2,6	80	188989	€10,266.00
X803	60	8	800	9/18	400	50	2,6 & 4,8	85	189019	€10,598.00
X804	60	8	800	4,5	400	50	3,6	80	188979	€9,683.00
X805	60	8	800	4,5/9	400	50	3,2 & 4,4	85	188999	€11,114.00
X806	60	8	800	4,5/18	400	50	-	105	189009	€12,630.00


Frame with 60m reel X1020 - X1530 (code 34398)


Model	Wire rope length (m)	Wire rope diameter ø (mm)	WLL (kg)	Lifting speed (m/min)	Voltage (V)	Frequency (Hz)	Tension (A)	Weight (kg)	Product code	Price
X1020	50	9	980	9	400	50	4	80	189039	€11,727.00
X1023	50	9	980	9/18	400	50	5,5 & 9,0	90	189069	€12,813.00
X1024	50	9	980	4,5	400	50	2,2	85	189029	€8,423.00
X1025	50	9	980	4,5/9	400	50	1,8 & 2,7	90	189049	€11,246.00
X1026	50	9	980	4,5/18	400	50	1,8 & 2,7	105	189059	€14,659.00
X1530	40	10	1,500	9	400	50	2,5	85	189079	€10,001.00

Frame with 110m reel X2050 - X3050 (code 30188)

Model	Wire rope length (m)	Wire rope diameter ø (mm)	WLL (kg)	Lifting speed (m/min)	Voltage (V)	Frequency (Hz)	Tension (A)	Weight (kg)	Product code	Price
X3050	110	14	3,000	6	400	50	6	200	214719	€20,405.00
X3052	110	14	3,000	12	400	50	5,8	225	189099	€20,251.00

 Order products on day 1, will be shipped no later than day 2

 Order products on day 1, will be shipped no later than day 3. Maximum quantities apply for this service.

 Available on request. Please enquire about delivery times of these items.

Tirak mobile hoist

For material transport

Frame with 500m reel X500 - X800 (code 32588)

Model	Wire rope length (m)	Wire rope diameter ϕ (mm)	WLL (kg)	Lifting speed (m/min)	Voltage (V)	Frequency (Hz)	Tension (A)	Weight (kg)	Product code	Price
X500	500	8	500	9	400	50	2	115	189119	€9,562.00
X503	500	8	500	9/18	400	50	4,5 & 8,7	125	189149	€11,096.00
X504	500	8	500	4,5	400	50	4	115	189109	€11,024.00
X505	500	8	500	4,5/9	400	50	3,2 & 4,4	125	189129	€11,231.00
X506	500	8	500	4,5/18	400	50	2,2 & 5,2	125	189139	€11,136.00
X800	500	8	800	9	400	50	1,9	120	189169	€11,489.00
X803	500	8	800	9/18	400	50	4,5 & 8,7	125	189199	€9,069.00
X804	500	8	800	4,5	400	50	4,2	120	189159	€9,811.00
X805	500	8	800	4,5/9	400	50	1,8 & 2,6	125	189179	€11,192.00
X806	500	8	800	4,5/18	400	50	3,0 & 4,9	145	189189	€13,627.00

Frame with 500m reel X1020 - X1530 (code 32598)

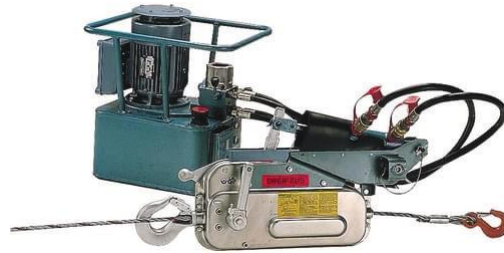
Model	Wire rope length (m)	Wire rope diameter ϕ (mm)	WLL (kg)	Lifting speed (m/min)	Voltage (V)	Frequency (Hz)	Tension (A)	Weight (kg)	Product code	Price
X1020	400	9	980	9	400	50	3,2	120	189229	€8,760.00
X1024	400	9	980	4,5	400	50	2,5	125	189219	€10,715.00
X1025	400	9	980	4,5/9	400	50	1,9 & 2,6	130	189239	€10,586.00
X1026	400	9	980	4,5/18	400	50	3,3 & 5,8	145	189249	€11,939.00

Frame with 800m reel X2050 - X3050 (code 34328)

Model	Wire rope length (m)	Wire rope diameter ϕ (mm)	WLL (kg)	Lifting speed (m/min)	Voltage (V)	Frequency (Hz)	Tension (A)	Weight (kg)	Product code	Price
X3050	800	14	3,000	6	400	50	5,2	550	189279	€19,643.00
X3052	800	14	3,000	12	400	50	6	550	189289	€20,429.00



Tirfor TU-H Series



The TU-H Tirfor hoists are mechanically powered by a hydraulic cylinder using an electric or petrol powerpack.

The TU-H adds flexibility to the operator particularly during extensive heavy-duty usage and movement of loads over long distances.

Areas of application: maritime, building and industry, portable and flexible for use anywhere.

The complete set consists of a hydraulic powerpack, a 3 m long hose set with quick coupling and a Tirfor hoist with frame and cylinder.

TU-16H: The 1-way system is suitable for loads up to 1600kg. It can be expanded into a 4-way system suitable for loads up to 4 x 1600kg.

TU-32H: The 1-way system is suitable for loads up to 3200kg. It can be expanded into a 4-way system suitable for loads up to 4 x 3200kg.

- Delivering safe and assured operation in any direction, either in a straight line or using diverter pulleys over an unlimited length
- Low-wear clamping jaws during demanding applications increasing the life of the wire rope
- Overload protection for safe and secure operation
- Fast and easy to install and use
- Working load can be increased by using sheave blocks
- Positioning loads with millimetre accuracy
- Secure release system

This product comes equipped with Tracinfo, an online service that simplifies the way you access product documentation. With Tracinfo, you can get instant access to manuals, certificates, and more with just a few clicks.

Tirfor TU-H (stand alone)

Model	WLL	Length (cm)	Height (cm)	Width / Diameter (cm)	Lever In/Out (mm)	Weight (kg)	Product Code	Price
TU-16H	1,600	788	360	185	68/119	28	398	€3,233.00
TU-32H	3,200	1070	430	204	68/119	54,1	4748	€3,564.00

Sets Tirfor TU H

Model	Product Code	Description	Price
TU 16 H 1W	199249	Standard equipment supertirfor™ TU-16H, electric motor, consisting of: hydraulic power pack, 1 set of 2 hoses, fitting and cylinder support, 1 VA2 self-operating cylinder, 1 can of hydraulic oil	€11,155.00
TU 16 H 2W	199259	Standard equipment supertirfor™ TU-16H, electric motor, consisting of: 1 hydraulic power pack, 2 sets of 2 hoses, fitting and cylinder support, 2 VA2 self-cleaning cylinders, 1 can of hydraulic oil	€17,047.00
TU 16 H 4W	199269	Standard equipment supertirfor™ TU-16H, electric motor, consisting of: 1 hydraulic power pack, 4 sets of 2 hoses, fitting and cylinder support, 4 VA2 self-cleaning cylinders, 1 can of hydraulic oil	€27,082.00
TU 32 H 1W	199279	Standard equipment supertirfor™ TU-32H, electric motor, consisting of: 1 hydraulic power pack, 1 set of 2 hoses, fitting and cylinder support, 1 VA3 self-cleaning cylinder, 1 can of hydraulic oil	€13,414.00

Wire rope 20m standard length

Model	Product Code	Price
Wire rope ø 11.5 mm, length 20 m	54759	€480.00
Wire rope ø 16.3 mm, length 20 m	54959	€617.00

Other wire rope lengths are available upon request. Please contact our Customer Service for more information - 0031 (0)76 543 5135.

Hydraulic Power Pack

Model	Product Code	Price
HPP 1W	8488	€7,750.00
HPP 2W	1548	€9,003.00
EPP 4W	1558	€9,999.00
HPP 1W with engine & control block	1168	€6,060.00
HPP 2W with engine & control block	4768	€6,666.00
HPP 4W with engine & control block	4778	€7,402.00

Hydraulic cylinder

Model	Product Code	Price
VA2 for TU-16H	1138	€2,234.00
VA3 for TU-32H	8678	€2,211.00

Hydraulic Oil, 18 L

Model	Product Code	Price
hydraulic oil, 18 l	107320	€172.00

Packaging box

Model	Product Code	Price
TU 16 H	21490	POA
TU 32 H	21440	POA
For hydraulic power pack	21210	POA



Order products on day 1, will be shipped no later than day 2



Order products on day 1, will be shipped no later than day 3. Maximum quantities apply for this service.



Available on request. Please enquire about delivery times of these items.

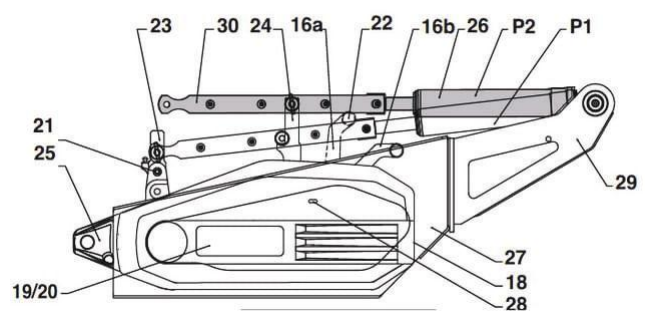
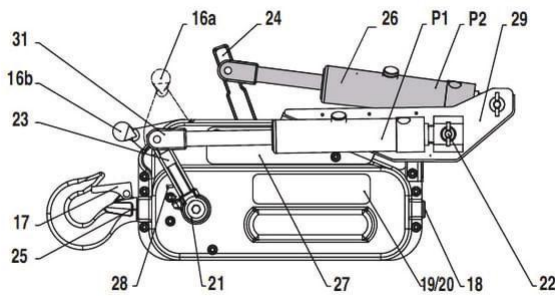
tube set Ø 10 mm

Model	Product Code	Price
3 m	6158	€321.00
4 m	56098	€389.00
5 m	84828	€427.00
6 m	84838	€464.00
7 m	56108	€501.00
8 m	56088	€553.00
9 m	84848	€594.00
10 m	84858	€635.00
11 m	84868	€664.00
12 m	84878	€710.00
13 m	56118	€746.00
14 m	56128	€782.00

tube set Ø 13 mm

Model	Product Code	Price
15 m	84888	€1,027.00
16 m	84898	€1,075.00
17 m	84908	€1,120.00
18 m	56198	€1,157.00
19 m	84918	€1,206.00
20 m	84928	€1,253.00
25 m	84968	€1,474.00
30 m	84978	€1,694.00
35 m	84988	€1,918.00
40 m	84998	€2,141.00

Tirfor TU-H components

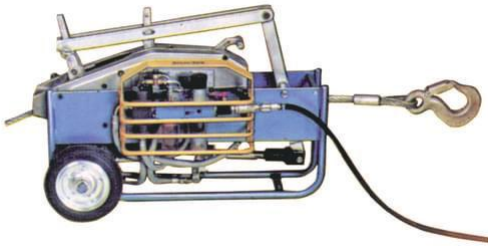


TU16H & TU32H equipped with ram:

- 16a: Clutch lever in CLUTCH RELEASED position (dotted lines)
- 16b: Clutch lever in CLUTCH ENGAGED position (solid lines)
- 17: Latches
- 18: Cable lead-in
- 19/20: Instruction plates
- 21: Safety pins
- 22: Spare safety pins
- 23: Forward operating lever
- 24: Reverse operating lever
- 25: Cable lead-out
- 26: Self-reciprocating ram
- P1: Position of ram in "forward operation"
- P2: Position of ram in "reverse operation"
- 27: Attachment fitting
- 28: Clutch release/engage latch
- 29: Ram bracket
- 30: Control unit
- 31: Yoke



Tirfor TU-A Series



The Tirfor TU-A16 and TU-A32 can be motorized by a pneumatic system powered by an onsite or portable air supply and is operated by a standard control unit.

The Tirfor TU-A series adds flexibility to the operator particularly during extensive heavy-duty usage and movement of loads over long distances. If the air pressure is lost, the Tirfor can also be disconnected from the motorizing linkage and operated manually.

- Delivering safe and assured operation in any direction, either in a straight line or using diverter pulleys over an unlimited length
- Low-wear clamping jaws during demanding applications increasing the life of the wire rope
- Overload protection for safe and secure operation
- Fast and easy to install and use
- Working load can be increased by using sheave blocks
- Positioning loads with millimetre accuracy
- Secure release system
- Load capacity from 1600kg - 3200 kg

Model	WLL	Avg. Consumption (l/min)	Forward Speed (m/min)	Reverse Speed (m/min)	Wire Rope Diameter (mm)	Length (mm)	Height (mm)	Width / Diameter (mm)	Weight (kg)	Product Code	Price
TU-16A	1,600 kg	550	0.5	1.5	11.5	970	400	220	40	77959	€8,050.00
TU-32A	3,200 kg	700	0.8	1.8	16.3	940	640	400	88	5909	€12,401.00



Order products on day 1, will be shipped no later than day 2



Order products on day 1, will be shipped no later than day 3. Maximum quantities apply for this service.



Available on request. Please enquire about delivery times of these items.

Tralift TT Electric chain hoists

Designed for permanent installation on a jib crane, underneath an overhead crane, or on motorised or non-motorised trolleys.

- Suitable for the toughest applications and conditions
- Recommended for dusty and humid environments and also for outdoor use
- Extra long service life thanks to the permanently lubricated gearbox and the profiled steel chain with manganese phosphate coating
- Application range: -15 to +50°C
- Low weight and overhead height due to the compact housing
- Reinforced load hook with forged safety catch
- Alternating current (230V / 1Ph / 50Hz) or three-phase current (400V / 3Ph / 50Hz)
- Ergonomic remote control, wired or wireless
- Corrosion resistant finish
- Hoist classification at Q5 class: according to DIN EN 14492: A5(125000 cycles), according to ISO 4301: M5 (1600 h.)
- 3 years warranty by Tractel



Tralift TT 250 - 500 kg, 400V - 50 Hz

WLL	Number of Falls	Number of Speeds	Forward Speed (m/min)	Code	Options per m			
					Lifting height		Control cable	
					Code	max.	Code	max.
250	1	1	8	278129 POA	232507 €41.00	120 m	195127 €15.50	119 m
250	1	2	8/2	278139 €4,184.00	232507 €41.00	120 m	195127 €15.50	119 m
500	2	1	4	278169 POA	232517 €82.00	60 m	195127 €15.50	59 m
500	2	2	4/1	278179 €4,457.00	232517 €82.00	60 m	195127 €15.50	59 m
500	1	1	8	278149 POA	232527 €45.50	120 m	195127 €15.50	99 m
500	1	2	8/2	278159 €4,482.00	232527 €45.50	120 m	195127 €15.50	99 m



Tralift TT 1000 - 1600 kg, 400V-50 Hz

WLL (kg)	Number of Falls	Number of Speeds	Forward Speed (m/min)	Load Chain (mm)	Power (kW)	Lost Headroom	Weight (kg)	Code	Options per m			
									Lifting height		Control cable	
									Code	max.	Cods	max.
1,000	2	1	4	5.25 x 15	0.72	528	28	278209 POA	232647 €91.00	60 m	195127 €15.50	59 m
1,000	2	2	4/1	5.25 x 15	0.75/0.18	528	28	278219 €4,795.00	232647 €91.00	60 m	195127 €15.50	59 m
1,000	1	1	8	7.45 x 23	2.3	617	57	278189 POA	232637 €65.00	55 m	195127 €15.50	54 m
1,000	1	2	8/2	7.45 x 23	2.3/0.57	617	58	278199 €6,280.00	232637 €65.00	55 m	195127 €15.50	54 m
1,600	2	1	4	7,45 x 23	2,3	676	57	278229 POA	239547 €129.00	36 m	195127 €15.50	35 m
1,600	2	2	4/1	7,45 x 23	2,3/0,57	676	58	278239 €6,906.00	239547 €129.00	36 m	195127 €15.50	35 m
1,600	1	1	4	9.4 x 27.4	2.2	688	88	293039 POA	281137 POA	36 m	195127 €15.50	35 m
1,600	1	2	8/2	9.4 x 27.4	3.7/0,93	688	93	293049 POA	281137 POA	36 m	195127 €15.50	35 m

Tralift TT 2000 - 2500 kg, 400V-50 Hz

WLL (kg)	Number of Falls	Number of Speeds	Forward Speed (m/min)	Load Chain (mm)	Power (kW)	Lost Headroom	Weight (kg)	Code	Options per m			
									Lifting height		Control cable	
									Code	max.	Code	max.
2,000	2	1	4	7.45 x 23	2.3	676	61	278249 POA	239547 €129.00	35	195127 €15.50	34
2,000	2	2	4/1	7.45 x 23	2.3/0.57	676	62	278259 €6,861.00	239547 €129.00	35	195127 €15.50	34
2,000	1	2	8/2	11,75 x 32,9	3,7/0,93	785	100	293719 €11,204.00	239547 €129.00	35	195127 €15.50	34
2,500	1	1	4	11.75 x 32.9	2.2	785	95	293079 POA	281157 €154.00	17	195127 €15.50	16
2,500	1	2	8/2	11.75 x 32.9	3.7/0.93	785	100	293089 €11,499.00	281157 €154.00	17	195127 €15.50	16

Tralift TT 3200 - 6300 kg, 400V-50Hz

WLL (kg)	Number of Falls	Number of Speeds	Forward Speed (m/min)	Load Chain (mm)	Power (kW)	Lost Headroom	Weight (kg)	Code/prijs	Options per m			
									Lifting height		Control cable	
									Code	max.	Code	max.
3,200	2	1	2	9.4 x 27.4	3.7/0,93	688	97	293059 POA	281157 €154.00	28	195127 €15.50	27
3,200	2	2	4/1	9.4 x 27.4	2.2	688	102	293069 €11,387.00	281157 €154.00	28	195127 €15.50	27
3,200	1	2	6,4/1,6	11.75 x 32.9	3.7/0,93	785	100	293099 €11,607.00	281157 €154.00	28	195127 €15.50	27
3,200	1	1	3,2	11.75 x 32.9	2.2	785	95	293109 POA	281157 €154.00	28	195127 €15.50	27
5,000	2	1	2	11.75 x 32.9	2.2	874	112	293119 POA	281167 €331.00	14	195127 €15.50	13
5,000	2	2	4/1	11.75 x 32.9	3.7/0.93	874	117	293129 €12,829.00	281167 €331.00	14	195127 €15.50	13
6,300	2	1	1,6	11.75 x 32.9	2.2	874	112	293149 POA	281167 €331.00	14	195127 €15.50	13
								293139	281167		195127	

Tralift TT 250 tot 500 kg, with trolley (12m/min)

WLL	Number of Falls	Number of Speeds	Forward Speed (m/min)	Load Chain (mm)	Power (kW)	Flange Width (mm)	Weight (kg)	Code	Options per m			
									Lifting height		Control cable	
									Code	max.	Code	max.
250	1	1	8	3.75 x 10.75	2.2	70-140	54	278269 POA	232507 €41.00	120 m	239597 €12.50	119 m
250	1	2	8/2	3.75 x 10.75	0.75/0.18	70-140	54	278279 €7,175.00	232507 €41.00	120 m	239597 €12.50	119 m
500	2	1	4	3.75 x 10.75	0.72	70-140	55	278309 POA	232517 €82.00	60 m	239597 €12.50	59 m
500	2	2	4/1	3.75 x 10.75	0.75/0.18	70-140	55	278319 €7,448.00	232517 €82.00	60 m	239597 €12.50	59 m
500	1	1	8	5.25 x 15	0.72	70-140	56	278289 POA	232527 €45.50	120 m	239597 €12.50	119 m
500	1	2	8/2	5.25 x 15	0.75/0.18	70-140	56	278299 €7,472.00	232527 €45.50	120 m	239597 €12.50	119 m

Tralift TT 1000 tot 1600 kg, with trolley (12m/min)

WLL	Number of Falls	Number of Speeds	Forward Speed (m/min)	Code	Options per m			
					Lifting height		Control cable	
					Code	max.	Code	max.
1,000	2	1	4	278349 POA	232647 €91.00	60 m	239597 €12.50	59 m
1,000	2	2	4/1	278359 €7,798.00	232647 €91.00	60 m	239597 €12.50	59 m
1,000	1	1	8	278329 POA	232637 €65.00	120 m	239597 €12.50	119 m
1,000	1	2	8/2	278339 €11,541.00	232637 €65.00	120 m	239597 €12.50	119 m
1,600	2	1	4	278369 POA	232647 €91.00	120 m	239597 €12.50	119 m
1,600	2	2	4/1	278379 €10,051.00	232647 €91.00	120 m	239597 €12.50	119 m
1,600	1	1	8	293189 POA	232647 €91.00	120 m	239597 €12.50	119 m
1,600	1	2	8/2	293199 €12,302.00	232647 €91.00	120 m	239597 €12.50	119 m

Traverse for e-trolley

Model	Product Code	Price
Wide crossbeam option - Iron width 70 - 240 mm for electric trolley	282107	€40.50
Wide crossbeam option - Iron width 88-300 mm for electric trolley	282117	€50.50

Tralift TT 2000 - 2500 kg, with trolley (12-4m/min)

WLL	Number of Falls	Number of Speeds	Forward Speed (m/min)	Load Chain (mm)	Power (kW)	Flange Width (mm)	Weight (kg)	Code	Options per m			
									Lifting height		Control cable	
									Code	max.	Code	max.
2,000	2	1	4	7.45 x 23	2.3/0.57	91-300	117	278389 POA	232647 €91.00	120 m	239597 €12.50	119 m
2,000	2	2	4/1	11.75 x 32.8	3.7/0.93	91-300	155	278399 €10,007.00	232647 €91.00	120 m	239597 €12.50	119 m
2,500	1	1	4	11,75 x 32,8	2,2	91-300	-	293229 POA	281157 €154.00	28 m	239597 €12.50	27 m
2,500	1	2	8/2	11.75 x 32.9	3,7/0,93	91-300	155	293239 €17,209.00	281157 €154.00	28 m	239597 €12.50	27 m

Tralift TT 3200 - 6300 kg, with trolley (12-4m/min)

WLL	Number of Falls	Number of Speeds	Forward Speed (m/min)	Load Chain (mm)	Power (kW)	Flange Width (mm)	Weight (kg)	Code	Options per m			
									Lifting height		Control cable	
									Code	max.	Code	max.
3,200	2	1	2	9,4 x 27,4	3,7/0,93	91-300	160	293209 POA	281147 €240.00	17 m	239597 €12.50	16 m
3,200	2	2	4/1	9,4 x 27,4	2,2	91-300	163	293219 POA	281147 €240.00	17 m	239597 €12.50	16 m
3,200	1	2	6,4/1,6	11,75 x 32,9	3,7/0,93	91-300	163	47289 €5,100.00	281157 €154.00	28 m	239597 €12.50	27 m
3,200	1	2	3,2	11,75 x 32,9	2,2	91-300	190	293259 POA	281157 €154.00	28 m	239597 €12.50	27 m
5,000	2	1	2	11,75 x 32,9	2,2	91-300	190	294009 POA	281167 €331.00	14 m	239597 €12.50	13 m
5,000	2	2	4/1	11,75 x 32,9	3,7/0,93	91-300	195	294019 €20,155.00	281167 €331.00	14 m	239597 €12.50	13 m
6,300	2	2	3,2/0,8	11,75 x 32,9	3,7/0,93	91-300	190	294029 €19,084.00	281167 €331.00	14 m	239597 €12.50	13 m
6,300	2	1	1,6	11,75 x 32,9	2,2	91-300	195	294039 POA	281167 €331.00	14 m	239597 €12.50	13 m

Traverse for e-trolley

Model	Product Code	Price
Wide crossbeam option - Iron width 70 - 240 mm for electric trolley	282107	€40.50
Wide crossbeam option - Iron width 88-300 mm for electric trolley	282117	€50.50

Tralift TT 250 - 2000 kg, 230V-50 Hz

WLL	Number of Falls	Number of Speeds	Forward Speed (m/min)	Code	Options per m			
					Lifting height		Control cable	
					Code	max.	Code	max.
250	1	1	8	278969 €4,597.00	232507 €41.00	10 m	195127 €15.50	10 m
500	2	1	4	278989 €4,870.00	232517 €82.00	5 m	195127 €15.50	10 m
500	1	1	4	278979 €4,777.00	232527 €45.50	10 m	195127 €15.50	10 m
500	1	1	8	294079 €8,087.00	232537 €89.00	10 m	195127 €15.50	10 m
1,000	2	1	2	279009 €5,046.00	232637 €65.00	5 m	195127 €15.50	10 m
1,000	1	1	4	293159 €7,841.00	232637 €65.00	10 m	195127 €15.50	10 m
1,000	1	1	4	47269 €3,507.00	239547 €129.00	5 m	195127 €15.50	10 m
2,000	2	1	2	293179 €7,620.00	239547 €129.00	5 m	195127 €15.50	10 m

Tralift TT 250 - 2000 kg, 230V-50 Hz, met trolley (12m/min)

WLL	Number of Falls	Number of Speeds	Forward Speed (m/min)	Code	Options per m			
					Lifting height		Control cable	
					Code	max.	Code	max.
250	1	1	8	279029 €7,445.00	232507 €41.00	10 m	195137 €16.00	10 m
500	1	1	4	294089 €8,431.00	232527 €45.50	10 m	195137 €16.00	10 m
500	2	1	4	279049 €7,739.00	232517 €82.00	5 m	195137 €16.00	10 m
500	1	1	8	279059 €9,334.00	232537 €89.00	10 m	195137 €16.00	10 m
1,000	2	1	2	279069 €7,946.00	232637 €65.00	5 m	195137 €16.00	10 m
1,000	1	1	4	294049 €8,426.00	232637 €65.00	10 m	195137 €16.00	10 m
1,000	1	1	4	294059 POA	239547 €129.00	5 m	195137 €16.00	10 m
2,000	2	1	2	294069 €8,445.00	239547 €129.00	5 m	195137 €16.00	10 m

Traverse for e-trolley

Model	Product Code	Price
Wide crossbeam option - Iron width 70 - 240 mm for electric trolley	282107	€40.50
Wide crossbeam option - Iron width 88-300 mm for electric trolley	282117	€50.50

Volt trac motorised chain hoists

Volt Trac hoists are motorised chain hoists. They are used to lift and transfer loads. Volt Trac is designed for permanent installation on a jib crane, underneath an overhead crane, or on motorised or non-motorised trolleys. They are suitable for handling relatively heavy objects while reducing the physical effort of the user.

With Volt Trac, Tractel is offering a new generation of electric chain hoists which are robust with FEM/ISO rating of 2m/M5 as well as an economic solution for your lifting needs.

Ergonomic modular construction allows fast disassembly and assembly during maintenance with easy access to all major parts: chain guide, motor and electric components.

This all adds up to low total cost of ownership for you.

In addition, Tractel is able to provide accessories for Volt Trac which will complete your customised application.

- TuV Rheinland independent certification to all aspects of EN14492
- Modular design allowing ease of maintenance
- Oil bath lubrication for better cooling and low gear wear
- Thermal cut out and phase protection as standard
- Slip clutch overload protection
- Reduced control voltage (24V)


Standard capacities: 250kg to 2000kg at FEM/ISO rating 2m/M5


Available on request FEM/ISO ratings can be adapted from 1Am/M4 to 5m/M8 expanding the capacity range to: 125kg to 2200kg.




Electric chain hoist with 3 m lifting height, 1.80 m control cable and chain bag.

WLL	Number of Falls	Number of Speeds	Forward Speed (m/min)	Code	Options		
					Extra height m	Extra control cable m	max.
250	1	1	10	280209 €1,700.00	270917 €38.00	195127 €16.00	25 m
250	1	2	8/2	299259	270927 €72.00	195127 €16.00	25 m
500	2	1	5	280219 €1,800.00	270937 €37.00	195127 €16.00	25 m
500	2	2	4/1	286759	270937 €37.00	195127 €16.00	25 m
500	1	1	8	280229 €1,900.00	270947 €73.00	195127 €16.00	25 m
500	1	2	8/2	280239 €2,000.00	270947 €73.00	195127 €16.00	25 m
1,000	2	1	4	280249 €2,100.00	270957 €47.00	195127 €16.00	25 m
1,000	2	2	4/1	280259 €2,250.00	270957 €47.00	195127 €16.00	25 m
1,000	1	1	8	280269 €2,400.00	270967 €90.00	195127 €16.00	25 m
1,000	1	2	8/2	280279 €2,650.00	270967 €90.00	195127 €16.00	25 m
2,000	2	1	4	280289 €2,650.00	270967 €90.00	195127 €16.00	25 m
2,000	2	2	4/1	280299 €2,900.00	270967 €90.00	195127 €16.00	25 m

 Order products on day 1, will be shipped no later than day 2

 Order products on day 1, will be shipped no later than day 3. Maximum quantities apply for this service.

 Available on request. Please enquire about delivery times of these items.

Accessories for Volt trac

Electric trolley 9/3 m/min

Model	Product Code	Price
250 kg 1fall/1 speed	276517	€1,982.00
500 kg 2falls/1 speed	276527	€2,003.00
500 kg 1fall/1 speed	276537	€1,984.00
1000 kg 2falls/1speed	276547	€1,964.00
1000 kg 2 falls/ 1 speed	276557	€1,976.00
2000 kg 2 falls/ 1 speed	276567	€2,032.00
500 kg 1 fall/2 speeds	276577	€1,996.00
1000 kg 2 falls/2 speeds	276587	€2,073.00
1000 kg 1 fall/ 2 speeds	276597	€1,986.00
2000 kg 2 falls/ 2 speeds	276607	€2,042.00
250kg 1 fall/2 speeds	289517	
500 kg 2falls/2 speeds	289807	

Volt trac - elektrische kettingtakels zijn ook geschikt voor gebruik met de manueel bediende Corso duwloopkatten en de Corso balkklem, zie pagina 111

Chain bags

Model	Suitable for Volt trac model	Product code	Price
DFA1	250 kg 1 fall 13-25 m & 500 kg 2 falls 7-12 m	276617	€26.00
DFA2	500 kg, 2 falls 13-18 m	276627	€31.00
DFA3	500 kg, 2 falls 19-25 m, steel	276637	€105.00
DTA4	500 kg, 1 fall 13-25 m, 1000 kg 2 strands 7-12 m	276647	€26.00
DFB1	1000 kg, 2 falls 13-18 m	276657	€28.00
DTB2	1000 kg, 2 falls 19-25 m, steel	276667	€182.00
DFB3	1000 kg 1 fall 7-18 m & 2000 kg 2 falls 4-9 m	276677	€26.00
DTB4	1000 kg, 1 fall 19-25 m	276687	€281.00
DFC1	2000 kg 2 falls 10-15 m	276697	€35.00
DFC2	2000 kg 2 falls 16-25 m	276707	€286.00

Radio remote control

Model	Product Code	Price
250 kg 1 fall	274047	€1,644.00
500 kg 1 fall	274057	€1,644.00
1000 kg 1 fall	274067	€1,644.00
500 kg 2 falls	276717	€1,730.00
1000 kg 2 falls	276727	€1,730.00
250 kg 1 fall & trolley 1 fall	274087	€1,498.00
500 kg 1 fall & trolley 1 fall	274097	€1,498.00
1000 kg 1 fall & trolley 1 fall	274107	€1,498.00
500 kg 2 falls & trolley 1 fall	276737	€1,498.00
1000 kg 2 falls & trolley 1 fall	276747	€1,483.00
250 kg 1 fall & trolley 2 falls	276757	€1,482.00
500 kg 1 fall & trolley 2 falls	276767	€1,483.00
1000 kg 1 fall & trolley 2 falls	276777	€1,483.00
500 kg 2 falls & trolley 2 falls	276787	€1,482.00
1000 kg 2 falls & trolley 2 falls	276797	€1,483.00

Trolley limit switch

Model	Product Code	Price
trolley limit switch	75257	€200.00

Eye suspension for Volt trac

For removing the hook and replacing it with an eye.

Model	Product Code	Price
250 kg, 1fall	270987	€33.00
500kg, 2 falls	270997	€33.00
500 kg, 1 fall	274007	€58.00
1000kg, 2falls	274017	€33.00
1000 kg, 1 fall	274027	€33.00
2000 kg, 2 falls	274037	€164.00

Extended hanger bar for electric trolley

Model	Product Code	Price
250 kg - 1000 kg, 68 - 320 mm	108937	€181.00
2000 kg 76 - 320 mm	108947	€236.00

Altotir

Motorised hoists

Altotir hoists are motorised hoists with a steel cable drum. They allow loads to be lifted. The hoist is installed on a swing jib, which in turn is installed on a scaffold tube. The device is operated by a button pendant control box with emergency stop.

Hoist for lifting loads; quick installation on scaffold tube.

- Model capacity 200kg
- Height of Lift 25m
- Speed 25m /min
- Robust device
- Installation on a standard scaffold tube or installation on a hinged slewing jib.
- Precise load positioning within millimetres



Model	WLL (kg)	Lifting height	Wire rope ø (mm)	Product code	Price
Altotir	200 kg	35 m	5 mm	261579	€1,121.00

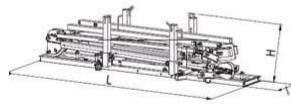


Sodenic jib crane

Jib crane with integrated wire rope hoist

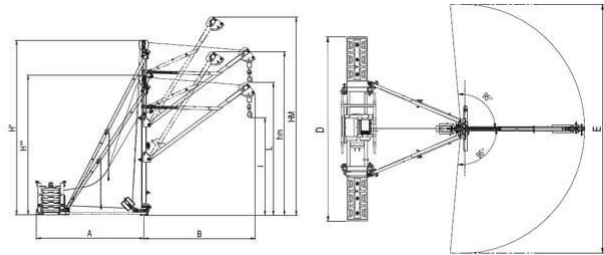
The Sodenic is a complete jib crane with integrated wire rope hoist. Perfect for lifting materials up to and down from a roof. Sodenic is made of modular galvanized construction which makes it easy to transport and assemble without specialized tools. Due to the compact nature of the knocked down crane it can easily fit into a lift and be manipulated and assembled by two people.

- Ideal for construction and industry
- Locking pins with safety pin
- Modular configuration
- Fits in elevator, once disassembled
- One-man operation



Specifications:

- Galvanized steel construction
- Electric motor FEM class: 1Am/M3
- Petrol engine noise emission: 2000/14/CE
- Duty cycle: 100%
- Safety factor: 4
- Wire rope with swivel safety hook
- Sheave blocks with self-lubricating bearings
- Counterweight 750 kg (30 blocks of 25 kg each)
- Limit switches
- Topping and rotating jib



Model	WLL	Lifting Height (m)	Forward Speed (m/min)	Product Code	Price
sodenic™ petrol	250	45	22	251009	€18,471.00
sodenic™ petrol	250	60	22	251019	€18,542.00
sodenic™ petrol	200	80	22	251029	€16,897.00
sodenic™ electric	250	45	28	251039	€18,213.00
sodenic™ electric	250	60	28	251049	€18,264.00
sodenic™ electric	200	80	28	251059	€18,285.00

Delivery includes: lifting device, wire rope winch with control system and wire rope. Excluding counterweights.

Accessories for the Sodenic jib crane

Model	Product Code	Price
wire rope 45m	38928	€574.00
wire rope 60m	38938	€634.00
wire rope 80m	38948	€800.00
manual winch 120 kg 38m	38968	€1,062.00
counterweight 25 kg	3378	€210.00



Order products on day 1, will be shipped no later than day 2



Order products on day 1, will be shipped no later than day 3. Maximum quantities apply for this service.



Available on request. Please enquire about delivery times of these items.

CHARLET pulleys, blocks & sheaves



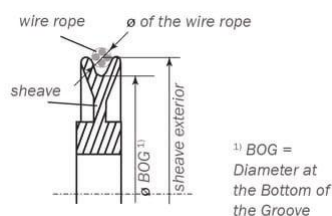
CHARLET blocks

- Tractel blocks, also known as CHARLET, have been developed for all possible applications and are suitable for the most extreme ambient conditions.
- The various models are suitable for wire ropes or ropes and can be used for reeving loads. They can be used for pulling, lifting and diverting the wire rope.
- It is important to choose the right block. This choice depends on the type of application, manual or motorized drive and the rope diameter.
- We can design, produce, test and supply all possible cable blocks, crane blocks, rotablocks, hooks and sheaves (WLL 1 to 500t).
- Through customization and in-house production short delivery times can be realized.
- We are happy to help you make the right choice.

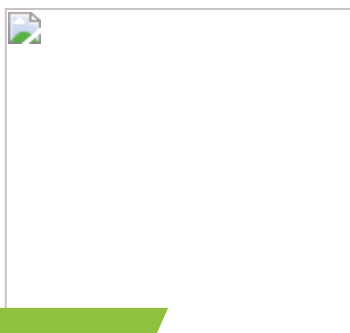
CHARLET pulleys

- There is a wide variety of basic versions available. Even models for man-riding applications in conformity with EN 1808 are available from stock.

Detail of sheave



Example of application



Winding ratio	Reduction
6	21%
8	17%
10	14%
15	11%
20	9%

Angle	Suspension load
0°	Hoist WLL x 2
15°	Hoist WLL x 1,98
30°	Hoist WLL x 1,95
45°	Hoist WLL x 1,85
60°	Hoist WLL x 1,73
90°	Hoist WLL x 1,41
120°	Hoist WLL x 1
150°	Hoist WLL x 0,52
180°	0



CHARLET speciale ontwerpen



Tractel Solutions offers a wide range of custom made sheaves
Pitch diameter ($\emptyset dp$) = Wire rope $\emptyset \times R$

If you have any special needs, please contact us:

Tractel Solutions S.A.S.

Phone: +33 4 78 50 18 18

Email: info.tso@alimakgroup.com



Pulleys, blocks & sheaves

BG – Cast iron roller

- Long service life
- Robust
- Adaptable, rebuildable (hub)
- Zinc bichromate

Model	Sheave diameter (mm)	Rope ø (mm)	WLL (kg)	Bearing/shaft diameter (mm)	Weight (g)	Product code	Price
C034C11MU	34/40	9/11	100	8.2	90	83699	€223.00
C042C12MU	42/50	10/12.6	160	10.2	170	83709	€110.00
C054C17CU	54/63	15/17	250	12.3	200	83719	€201.00
C063C17CM	63/80	16/18	400	12.5	320	83729	€65.00
C080C19CM	80/100	17/19	630	19	680	83739	€63.00
C0131C25MM	131/160	23/25	1,000	23	1500	83749	€220.00



BH – Cast iron roller

- Long service life
- Robust
- Adaptable, rebuildable (hub)
- Zinc bichromate

Model	Sheave diameter (mm)	Rope ø (mm)	WLL (kg)	Bearing/shaft diameter (mm)	Weight (g)	Product code	Price
C063C17CU	63/80	15/17	400	15	300	83759	€49.00
C080C19CU	80/100	17/19	630	22	650	83769	€63.00
C0131C25MU	131/160	23/25	1,250	30	1400	83779	€222.00
C0161C34MU	161/200	32/34	2,000	30	2900	83789	€150.00



BN – Polyamide roller

- Light
- Electrically insulated
- Corrosion resistant

Model	Sheave diameter (mm)	Rope ø (mm)	WLL (kg)	Bearing/shaft diameter (mm)	Weight (g)	Product code	Price
C025C8PZ	25/32	6/8	63	6.3	5	83609	€36.00
C032C10PZ	32/40	8/10	100	8.3	10	83619	€21.00
C040C12PZ	40/50	10/12	160	10.3	20	83629	€27.00
C044C7PZ	44/62	5/7.5	200	12.1	30	83639	€63.00
C061C10PZ	61/76	8/10	300	12	60	83649	€82.00
C066C8PZ	66/80	6/8	300	12.2	70	83659	€126.00
C078C10PZ	78/100	6/8	300	12.2	90	83669	€174.00
C078C12PZ	78/120	10/12	300	12.2	100	83679	€123.00
C0118C12PZ	118/140	10/12	300	12.2	125	83689	€234.00



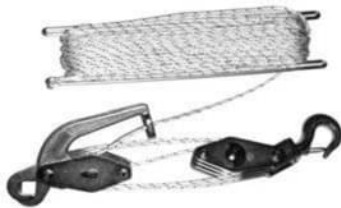
Pulleys, blocks & sheaves



BX – Sheave Axle

- Allows mounting of BG-BH-BN sheaves

Model	Ø	Product Code	Price
B060X	15	105439	€14.00
B061X	22	105449	€20.00
B062X	30	105459	€57.00
B063X	30	105469	€55.00
B064X	52	105479	€79.00



Palanmatic

The Palanmatic hoist is unique in its kind: convenient, lightweight, manually operated and equipped with ø4 mm nylon rope with automatic braking function. Ideal for lifting and pulling loads in any application for both individual and professional. Models 202A, 204A and 206A come with an operating rod for even easier lifting of the load.

- No risk of falling loads
- Lifting at a fixed or mobile point (hoist in vertical position),
- Pulling a load (hoist in horizontal position).



Model	Description	Lifting height (m)	WLL (kg)	Number of sheaves	Weight (kg)	Product code	Price
D202A	Scissor eye hook / swivel eye hook*. 3 sheaves.	7	250	3	1.9	80009	€233.00
D212A	Scissor eye hooks. 3 sheaves.	3	250	3	1.6	80039	€207.00
D204A	Scissor hook / swivel eye hook*. 5 sheaves.	7	400	5	2.9	80019	€295.00
D214A	Scissor eye hooks. 5 sheaves.	3	400	5	2.2	80049	€243.00
D206A	Scissor eye hook / swivel eye hook*. 7 sheaves.	3	630	7	3.7	80029	€483.00



DB Poulistop 2

The Poulistop 2 is a manually operated lifting block with automatic brake function and is suitable for lifting loads up to 50 kg (weight rope included). The automatic brake mechanism of the Poulistop is operated when the rope moves past the brake caliper in a vertical position. To release the brake, the user must hold the rope at a minimum angle of 15° to move the load.

- Efficient, lightweight, corrosion-resistant, safe and easy to use
- System with rope lock
- Can be attached to scaffolding using a gallow

Model	Description	Sheave diameter (mm)	Rope ø (mm)	WLL (kg)	Weight (kg)	Product code	Price
D050B	Poulistop 2 with hook	150/195	18-20	50	4	192319	€246.00
D051B	Poulistop 2 with scaffold bracket	150/195	18-20	50	4	192329	€243.00
DC050B	Rope for Poulistop 2 - 50m	150/195	18	50	18	192339	€210.00
DP050B	Bracket for scaffolding installation	-	-	50	9	192359	€206.00

Pulleys, blocks & sheaves

DD Pulley Block

- Simple and light
- Polyvalent
- Corrosion resistant product

Model	Sheave diameter (mm)	Rope min/max \varnothing (mm)	WLL at anchor point (kg)	Weight (kg)	Product code	Price
D040D	63/80	15-17	250	0.8	80139	€123.00
D042D	80/100	17-19	500	1.8	80149	€151.00
D046D	131/160	23-25	1,000	3.4	80159	€324.00



DE Scaffold Block

- Efficient and light
- Corrosion resistant product
- Can be attached to scaffolding
- Safe and easy of use

Model	Sheave diameter (mm)	Rope min/max \varnothing (mm)	WLL per side (kg)	Weight (kg)	Product code	Price
D039E	156/200	22-30	40 kg	1.6	80169	€103.00



DL Lyons Block

- For lifting or pulling loads
- Quick and safe installation
- Polyvalent

Model	Sheave diameter (mm)	Rope min/max \varnothing (mm)	WLL (kg)	Description	Number of sheaves	Weight (kg)	Product code	Price
D083L	34/40	8-10	160	Sheave material: cast iron	2	0.9	80359	€250.00
D086L	34/40	8-10	250	Sheave material: cast iron	3	1.3	80379	€317.00
D089L	42/50	10-12	320	Sheave material: cast iron	2	1.8	80399	€291.00
D092L	42/50	10-12	500	Sheave material: cast iron	3	2.4	80419	€376.00
D080L	25/32	6-8	125	Sheave material: polyamide	3	0.7	80339	€172.00
D082L	32/40	8-10	160	Sheave material: polyamide	2	0.9	80349	€195.00
D085L	32/40	8-10	250	Sheave material: polyamide	3	1.3	80369	€181.00
D088L	40/50	10-12	320	Sheave material: polyamide	2	1.8	80389	€213.00
D091L	40/50	10-12	500	Sheave material: polyamide	3	2.4	80409	€231.00



Pulleys, blocks & sheaves



BC – Sheave with short hub

- Sheaves for wire rope
- Ø from 100 to 250 mm
- A high winding ratio improves the lifetime of the wire rope
- Painted or zinc bichromated

Machined

Model	Sheave diameter (mm)	Wire rope ø (mm)	WLL (t)	Ø as	Weight (kg)	Product code	Price
CA86C8MUC	86/100	7/8	0.8	24	0.6	83799	€96.00
CA140C11VUC	140/160	10/11.5	1.6	37	1.2	83809	€138.00
CA172C15VUC	172/200	13/15	2.5	37	2.1	83819	€261.00
CA212C19VUC	212/250	17/19	4	62	4.2	83829	€185.00

Bronze bushings

Model	Sheave diameter (mm)	Wire rope ø (mm)	WLL (t)	Ø as	Weight (kg)	Product code	Price
CA86C8MMC	86/100	7/8	0.8	18	0.6	83839	€145.00
CA140C11VMC	140/160	10/11.5	1.6	30	1.2	83849	€171.00
CA172C15VMC	172/200	13/15	2.5	30	2.1	83859	€293.00
CA212C19VMC	212/250	17/19	4	52	4.2	83869	€252.00



BL – Sheave with long hub

- Three ranges available (machined, on bronze bushings or bearings)
- Bichromate

Machined

Model	Sheave diameter (mm)	Wire rope ø (mm)	WLL (t)	Ø as	Weight (kg)	Product code	Price
CA140C11VUL	140/160	10/11.5	2	37	1.3	104009	€154.00
CA172C15VUL	172/200	13/15	3.2	37	2.2	104019	€367.00

Bronze bushings

Model	Sheave diameter (mm)	Wire rope ø (mm)	WLL (t)	Ø as	Weight (kg)	Product code	Price
CA140C11VML	140/160	10/11.5	2	30	1.3	104039	€170.00
CA172C15VML	172/200	13/15	3.2	30	2.2	104049	€330.00

Bearings

Model	Sheave diameter (mm)	Wire rope ø (mm)	WLL (t)	Ø as	Weight (kg)	Product code	Price
CA145C7CBL	145/170	6/7	1.5	25	2.4	104069	€105.00
CA140C11VAL	140/160	10/11.5	2	30	1.3	104079	€216.00
CA171C9CBL	171/195	8/9	3	35	3.3	104089	€175.00
CA205C11CBL	205/240	10/11	4	45	5.7	104099	€274.00
CA260C14CBL	260/300	12/14	6	60	11	104109	€544.00
CA172C15VAL	172/200	13/15	3.2	30	2.2	104119	€385.00
CA325C17CBL	325/375	15/17	8	80	27	104129	€1,189.00

Pulleys, blocks & sheaves

BE - Flared sheave

- Sheaves for wire rope
- Ø from 63 to 255 mm
- A high winding ratio improves the lifetime of the wire rope
- Zinc bichromated

Untreated

Model	Sheave diameter (mm)	Wire rope min/max ø (mm)	WLL (t)	Ø axle	Weight (kg)	Product code	Price
CA60C5CZ	60/80	4/5	0.63	0	0.32	104149	€19.00
CA80C9CZ	80/100	8/9	1.25	18	0.65	104159	€26.00
CA120C11CZ	120/150	10/11.5	2	27	1.4	104169	€44.00
CA160C15CZ	160/200	13/15	3.2	24	3	104179	€87.00

Processed

Model	Sheave diameter (mm)	Wire rope min/max ø (mm)	WLL (t)	Ø axle	Weight (kg)	Product code	Price
CA53C5CU	53/63	4/5	0.32	12.2	0.2	104189	€21.00
CA60C5CU	60/80	4/5	0.63	15	0.32	104199	€21.00
CA80C9CU	80/100	8/9	1.25	22	0.65	104209	€48.00
CA120C11CU	120/150	10/11.5	2	30	1.4	104219	€69.00
CA160C15CU	160/200	13/15	3.2	30	3	104239	€168.00
CA210C18CU	210/255	16/18	5	60	4.6	104259	€215.00

Bronze bushings

Model	Sheave diameter (mm)	Wire rope min/max ø (mm)	WLL (t)	Ø axle	Weight (kg)	Product code	Price
CA80C9CM	80/100	8/9	1.25	22	0.65	104269	€93.00
CA132C12VM	132/160	10/12	2	30	1.4	104279	€162.00
CA160C15VM	160/200	13/15	3.2	30	3	104289	€251.00
CA210C18CM	210/255	16/18	5	52	4.6	104299	€317.00

Bearings

Model	Sheave diameter (mm)	Wire rope min/max ø (mm)	WLL (t)	Ø axle	Weight (kg)	Product code	Price
CA80C9CA	80/100	8/9	1.25	22	0.65	104309	€88.00
CA132C12VA	132/160	10/12	2	30	1.4	104319	€187.00
CA160C15VA	160/200	13/15	3.2	30	3	104329	€272.00
CA210C18CO	210/255	16/18	5	25	4.6	104339	€347.00



Order products on day 1, will be shipped no later than day 2



Order products on day 1, will be shipped no later than day 3. Maximum quantities apply for this service.



Available on request. Please enquire about delivery times of these items.

Pulleys, blocks & sheaves



BD - Sheave for public works

- Sheaves for wire rope
- Ø from 112 to 255 mm
- A high winding ratio improves the lifetime of the wire rope
- Zinc bichromated

Processed

Model	Sheave diameter (mm)	Wire rope min/max ø (mm)	WLL (t)	Ø axle	Weight (kg)	Product code	Price
CA100C4MU	100/112	4/4.5	0.5	37	0.5	83879	€85.00
CA140C6VU	140/160	5.5/6.3	1	37	1.2	83889	€247.00
CA200C9VU	200/224	8/9.5	2	52	2.1	83899	€297.00

Bronze bushings

Model	Sheave diameter (mm)	Wire rope min/max ø (mm)	WLL (t)	Ø axle	Weight (kg)	Product code	Price
CA140C6VM	140/160	5.5/6.3	1	30	1.2	83909	€310.00

Bearings

Model	Sheave diameter (mm)	Wire rope min/max ø (mm)	WLL (t)	Ø axle	Weight (kg)	Product code	Price
CA100C4MB	100/112	4./4.5	0.5	12	0.5	83929	€103.00
CA140C6VB	140/160	5.5/6.3	1	12	1.2	83939	€147.00
CA200C9VB	200/224	8./9.5	2	20	2.1	83949	€325.00
CA220C10CB	220/255	9/10	2	30	7.6	83959	€330.00

Pulleys, blocks & sheaves

CSB - Sheave with ball bearings

- Galvanised
- Bearings series 6200-2RS
- Other dimensions available on request

Model	Sheave diameter (mm)	Wire rope min/max ø (mm)	WLL (t)	Bearing type	Ø axle	Weight (kg)	Product code	Price
CSB012	133/150	6/7	1.6	6205-2RS	25	1.75	104359	€143.00
CSB014	125/150	7.5/8	1.6	6205-2RS	25	1.75	105639	€164.00
CSB022	152/175	7/8	2	6206-2RS	30	2.7	104389	€108.00
CSB024	150/178	9/10	2	6206-2RS	30	2.7	105649	€131.00
CSB032	172/200	8/9	2.5	6207-2RS	35	4.1	104419	€129.00
CSB034	165/200	10/11	2.5	6207-2RS	35	4.1	105659	€132.00
CSB042	180/210	9/10	3.2	6208-2RS	40	5.1	104449	€146.00
CSB044	180/210	11/12	3.2	6208-2RS	40	5.1	105669	€166.00
CSB052	200/235	10/11	4	6210-2RS	50	6.9	104479	€190.00
CSB054	195/235	12/13	4	6210-2RS	50	6.9	105679	€212.00
CSB062	228/270	11/12	6.3	6212-2RS	60	10.2	104509	€292.00
CSB064	225/270	13/14	6.3	6212-2RS	60	10.2	105689	€380.00
CSB072	257/297	12/13	6.3	6212-2RS	60	12.3	104539	€338.00
CSB074	257/297	14/15	6.3	6212-2RS	60	12.3	105699	€404.00
CSB082	280/330	13/14	10	6216-2RS	80	21.1	104569	€748.00
CSB084	280/330	15/16	10	6216-2RS	80	23.1	105709	€776.00
CSB092	320/375	15/16	10	6216-2RS	80	24.5	104599	€786.00
CSB094	306/370	17/18	10	6216-2RS	80	24.5	105719	€847.00
CSB102	355/425	17/18	12.5	6218-2RS	90	34	104629	€1,183.00
CSB104	355/425	19/20	12.5	6218-2RS	90	34	105729	€1,281.00
CSB112	400/470	19/20	16	6220-2RS	100	45	104659	€1,896.00
CSB114	400/470	22/24	16	6220-2RS	100	45	105739	€1,822.00
CSB122	440/510	20/22	20	6222-2RS	110	65	105759	€2,215.00
CSB124	430/510	24/26	20	6222-2RS	110	65	105779	€2,216.00
CSB132	500/570	22/24	20	6224-2Z	120	115	105799	€2,902.00
CSB142	550/630	24/26	25	6226-2Z	130	140	105829	€4,272.00



EC Snatch Block

- Easy installation and low weight
- Multiple lashing possibilities: shackles, pins, chains, hooks, slings
- Occasional installations

Model	Sheave diameter (mm)	Wire rope min/max ø (mm)	WLL (kg)	Weight (kg)	Product code	Price
EC1.6-100E9	80/100	8-9	1,600	2.2	80689	€155.00
EC3.2-160E12	132/160	10-12	3,200	4.8	80699	€289.00
EC5-200E15	160/200	13-15	5,000	9.3	80709	€427.00
EC8-250E18	210/250	16-18	8,000	19.4	80719	€610.00



Pulleys, blocks & sheaves



ED - Snatch pulley with wire rope guide flanges

- Cable guide flanges to prevent derailment
- Easy installation

Model	Sheave diameter (mm)	Wire rope min/max ø (mm)	WLL (t)	Weight (kg)	Product code	Price
E162D	140/160	10/11.5	1.25	5.2	80729	€452.00
E172D	172/200	13/15	2	9.3	80769	€734.00



EG - Light duty pulley for wire rope

- Intended for slow use
- Allows lifting or deflecting without height or distance limits
- Equipped with cast iron sheave

Model	Sheave diameter (mm)	Wire rope min/max ø (mm)	WLL (t)	Weight (kg)	Product code	Price
E140G	60/80	4/5	0.32	1.6	80809	€205.00
E144G	80/100	8/9	0.63	2.5	80829	€263.00
E146G	80/100	8/9	0.63	2.5	80849	€265.00


* Met bronzen bus





ES Cargo Block

- Simple yoke pulley for wire-rope
- For slow applications
- Lifting or wire-rope deviation without limit on use height or distance
- Ensures good positioning

Model	Sheave diameter (mm)	Wire rope min/max ø (mm)	WLL (kg)	Weight (kg)	Product code	Price
E110S	60/80	4-5	320	0.9	81329	€92.00
E112S	80/100	8-9	630	1.8	81339	€149.00
E120S	132/160	10-11.5	1,200	3.4	81359	€243.00

 Order products on day 1, will be shipped no later than day 2

 Order products on day 1, will be shipped no later than day 3. Maximum quantities apply for this service.

 Available on request. Please enquire about delivery times of these items.

Pulleys, blocks & sheaves

EH Snatch Block

- Snatch blocks for wire rope cables
- Zinc bichromated coating

Model	Sheave diameter (mm)	Wire rope min/max ø (mm)	WLL (kg)	Weight (kg)	Product code	Price
E303H	80/100	8-9	1,000	3	80869	€336.00
E347H	275/336	21-23	8,000	34	80949	€1,889.00
E480H	275/336	14-16.3	6,400	34	81009	€1,520.00
E333H	210/250	16-18	5,000	22	80929	€1,014.00
E490H	160/200	13-15	5,000	17	81029	€920.00
E470H*	160/200	10-11.5	3,200	18	80989	€847.00
E323H	160/200	13-15	3,200	18	80909	€869.00
E313H	132/160	10-12	2,000	8.5	80889	€477.00
E460H*	132/160	7.5-8.3	1,600	7	80969	€497.00
E305H	80/100	8-9	1,000	3	105489	€470.00



* Only types E460H and E470H comply with EN13157.

EGZ Openklapbaar blok

- Zinc bichromated coating
- Designed for temporary lifting or cable traction installations requiring quick installation and/or removal of the pulley

Model	Sheave diameter (mm)	Wire rope min/max ø (mm)	WLL (kg)	Weight (kg)	Product code	Price
E303GZ	80/100	8/9	1,000	3	101829	€384.00
E305GZ	80/100	8/9	1,000	3	252119	€476.00
E460GZ	132/160	7.5/8.3	2,400	7	101839	€513.00
E313GZ	132/160	10/12	2,000	8.5	105629	€547.00
E470GZ	160/200	10/11.5	4,800	15.5	101849	€914.00
E323GZ	160/200	13/15	3,200	15.5	192859	€911.00
E490GZ	160/200	13/15	5,000	17	192869	€1,133.00
E333GZ	210/250	16/18	5,000	22	192879	€1,117.00
E480GZ	275/336	14/16.3	6,400	34	101859	€1,637.00
E347GZ	275/336	21/23	8,000	34	192889	€2,135.00



* Only types E460GZ, E47GZ and E480GZ comply with EN13157.

EJ - Pulley for wire rope

- Zinc bichromated coating
- Removable axle for easy sheave change and cable assembly

Model	WLL (t)	Wire rope min/max ø (mm)	Sheave diameter (mm)	Weight (kg)	Description	Product code	Price
E125J	1	8/9	80/100	1,9	Without hook / not dismantable	81049	€159.00
E126J	0.63	8/9	80/100	2,6	With hook / dismantable	81059	€269.00
E136J	1.25	10/11.5	132/160	5	With hook / dismantable	81099	€348.00



Pulleys, blocks & sheaves



ELS = with safety hook



ELC = Hook with safety clasp

ELC - ELS pulleys

New light & compact 1t pulley for use in Offshore applications or along with Minifor.

The pulley is designed to be as compact as possible for use in elevator cage ceiling, to install the elevator motor.

It is designed with the same principles than an ET pulley, in order to be robust, corrosion resistant (Zn coating) and with all elements being foolproof.

It exists in two version, ELC (as shown below) and ELS with safety hook (but less compact).

Model	Description		Sheave diameter (mm)	Wire rope ø (mm)	WLL (kg)	Weight (kg)	Product code	Price
ELC1-70E7	equipped safety clasp	with	55	6.5/7	1,000	1.6	252209	€266.00
ELS1-70E7	equipped safety hook	with	55	6.5/7	1,000	1.8	252259	€434.00



ETC Off-Shore Model Snatch Block

- Easy to set up
- Light
- Imperviousness of removable elements
- Intensive use

Model	Sheave diameter (mm)	Wire rope ø (mm)	WLL (kg)	Weight (kg)	Product code	Price
ETC2-79E10	60/79	9-10	2,000	2.7	81429	€290.00
ETC5-114E14	90/114	12-14	5,000	8	81399	€475.00
ETC5-165E14	140/165	12-14	5,000	10.5	81459	€618.00
ETC8-142E19	112/142	17-19	8,000	15	81489	€612.00
ETC8-209E19	177/209	17-19	8,000	20	81519	€717.00
ETC8-262E19	221/262	17-19	8,000	25	81549	€1,187.00
ETC8-326E23	275/326	20-23	8,000	29	81579	€1,242.00
ETC12-145E23	112/145	20-23	12,500	30	81609	€1,345.00
ETC12-216E23	174/216	20-23	12,500	35	81669	€1,468.00
ETC12-216E29	174/216	26-29	12,500	35	81639	€1,551.00
ETC15-262E23	221/262	20-23	15,000	38	81699	€2,123.00
ETC15-326E23	275/326	20-23	15,000	45	81759	€2,150.00
ETC15-420E23	355/420	20-23	15,000	65	81819	€2,628.00
ETC20-216E29	174/216	26-29	20,000	39	81729	€1,902.00
ETC20-268E38	224/268	35-38	20,000	56	81789	€2,077.00
ETC20-410E38	349/410	35-38	20,000	70	81849	€2,917.00
ETC25-262E29	221/262	26-29	25,000	62	81879	€2,929.00
ETC25-326E29	270/326	26-29	25,000	85	81939	€3,292.00
ETC32-334E46	270/334	42-46	32,000	95	81909	€3,975.00
ETC32-518E46	443/518	42-46	32,000	135	81969	€5,528.00

Pulleys, blocks & sheaves

ETM Off-Shore Model Snatch Block

- Easy to set up
- Light
- Imperviousness of removable elements

Model	Sheave diameter (mm)	Wire rope ϕ (mm)	WLL (kg)	Weight (kg)	Product code	Price
ETM2-79E10	60/79	9-10	2,000	2.7	81439	€323.00
ETM5-114E14	90/114	12-14	5,000	8	81409	€558.00
ETM5-165E14	140/165	12-14	5,000	10.5	81469	€720.00
ETM8-142E19	112/142	17-19	8,000	15	81499	€710.00
ETM8-209E19	177/209	17-19	8,000	20	81529	€847.00
ETM8-262E19	221/262	17-19	8,000	25	81559	€1,413.00
ETM8-326E23	275/326	20-23	8,000	29	81589	€1,395.00
ETM12-145E23	112/145	20-23	12,500	30	81619	€1,326.00
ETM12-216E23	174/216	20-23	12,500	35	81679	€1,497.00
ETM12-216E29	174/216	26-29	12,500	35	81649	€1,622.00
ETM15-262E23	221/262	20-23	15,000	38	81709	€2,234.00
ETM15-326E23	275/326	20-23	15,000	45	81769	€2,381.00
ETM15-420E23	355/420	20-23	15,000	65	81829	€2,699.00
ETM20-216E29	174/216	26-29	20,000	39	81739	€2,064.00
ETM20-268E38	224/268	35-38	20,000	56	81799	€2,254.00
ETM20-410E38	349/410	35-38	20,000	70	81859	€3,081.00
ETM25-262E29	221/262	26-29	25,000	62	81889	€3,242.00
ETM25-326E29	270/326	26-29	25,000	85	81949	€3,628.00
ETM32-334E46	270/334	42-46	32,000	95	81919	€5,888.00
ETM32-518E46	443/518	42-46	32,000	135	81979	€6,832.00



Order products on day 1, will be shipped no later than day 2

Order products on day 1, will be shipped no later than day 3. Maximum quantities apply for this service.

Available on request. Please enquire about delivery times of these items.

Pulleys, blocks & sheaves



ETA Off-Shore Model Snatch Block

- Easy to set up
- Light
- Imperviousness of removable elements

Model	Sheave diameter (mm)	Wire rope ø (mm)	WLL (kg)	Weight (kg)	Product code	Price
ETA 2-79E10	60/79	9-10	2,000	1.6	81449	€209.00
ETA5-114E14	90/114	12-14	5,000	4.5	81419	€363.00
ETA5-165E14	140/165	12-14	5,000	7	81479	€489.00
ETA8-142E19	112/142	17-19	8,000	8.5	81509	€464.00
ETA8-209E19	177/209	17-19	8,000	13.5	81539	€537.00
ETA8-262E19	221/262	17-19	8,000	18	81569	€1,013.00
ETA8-326E23	275/326	20-23	8,000	23	81599	€1,035.00
ETA12-145E23	112/145	20-23	12,500	24	81629	€918.00
ETA12-216E23	174/216	20-23	12,500	28	81689	€1,053.00
ETA12-216E29	174/216	26-29	12,500	28	81659	€1,216.00
ETA15-262E23	221/262	20-23	15,000	30	81719	€1,381.00
ETA15-326E23	275/326	20-23	15,000	36	81779	€1,488.00
ETA15-420E23	355/420	20-23	15,000	52	81839	€1,896.00
ETA20-216E29	174/216	26-29	20,000	31	81749	€1,360.00
ETA20-268E38	224/268	35-38	20,000	45	81809	€1,430.00
ETA20-410E38	349/410	35-38	20,000	56	81869	€2,127.00
ETA25-262E29	221/262	26-29	25,000	48	81899	€2,029.00
ETA25-326E29	270/326	26-29	25,000	63	81959	€2,395.00
ETA32-334E46	270/334	42-46	32,000	70	81929	€3,445.00
ETA32-518E46	443/518	42-46	32,000	100	81989	€4,598.00



FM - Wire Rope Blocks

- Non opening block for wire-rope
- This is the essential tool for tirlors and other pulling equipments
- Other models and dimensions on request

Model	WLL (t)	Wire rope ø (mm)	Sheave diameter (mm)	Number of sheaves	Weight (kg)	Description	Product code	Price
F003M	1.25	7/8	86/100	2	5	With hook - 2 sheaves	82289	€708.00
F013M	3.2	10/11.5	140/160	2	12.5	With hook - 2 sheaves	82329	€805.00
F023M	5	13/15	172/200	2	18	With hook - 2 sheaves	82369	€1,293.00
F073M	5	10/11.5	140/160	3	16	With hook - 3 sheaves	82449	€1,157.00

EP III Blocks for Man-Riding Applications

Versatility

- EP sheaves can be used for both material lifting and man-riding with the same maximum working load.

Safety

- Pulleys in accordance with FEM87 and EN 1808
- Finger protection system
- Limit stop

Ease of use

- The particular geometry of the limit stop, developed by Tractel, allows a simple and quick insertion of the wire rope without tools.

Lightness

- The lightened flanges and the polyamide sheave make it light and easy to install.

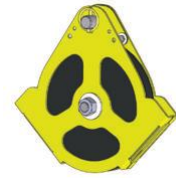
Compatibility

- EP pulleys are compatible with our Tirfor and Tirak winch ranges for both material and man-riding applications.

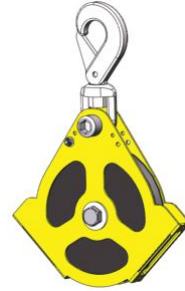
Applications

- These pulleys are mainly designed for temporary cable lifting or pulling applications, when quick installation and/or removal of the pulley is necessary.
- They can be fixed to a mobile or fixed anchorage point having the required WLL.

Model	Sheave diameter (mm)	Wire rope ø (mm)	WLL (t)	Weight (kg)	Product code	Price
EPA1.6-8/9 III	171/198	8-9	1.6 t	2.6	252739	€512.00
EPA2.4-10/12 III	196/228.5	10-11.5	2.4 t	4.9	252789	€671.00
EPA5-14/16 III	277.5/323.5	14-16.3	5 t	11.7	252839	€1,014.00
EPC1.6-8-9 III	171/198	8-9	1.6 t	3.4	252699	€670.00
EPC2.4-10/12 III	196/228.5	10-11.5	2.4 t	6.3	252749	€856.00
EPC5-14/16 III	277.5/323.5	14-16.3	5 t	14.3	252799	€1,263.00
EPE1.6-8/9 III	171/198	8-9	1.6 t	3.4	252709	€553.00
EPE2.4-10/12 III	196/228.5	10-11.5	2.4 t	6.3	252759	€709.00
EPE5-14/16 III	277.5/323.5	14-16.3	5 t	14.3	252809	€987.00
EPF1.6-8/9 III	171/198	8-9	1.6 t	3.2	252719	€588.00
EPF2.4-10/12 III	196/228.5	10-11.5	2.4 t	5.8	252769	€765.00
EPF5-14/16 III	277.5/323.5	14-16.3	5 t	13.6	252819	€1,086.00
EPL1.6-8/9 III	171/198	8-9	1.6 t	3.2	252729	€630.00
EPL2.4-10/12 III	196/228.5	10-11.5	2.4 t	5.9	252779	€677.00
EPL5-14/16 III	277.5/323.5	14-16.3	5 t	13.6	252829	€953.00



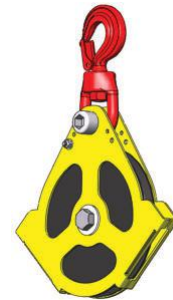
EPA



EPC



EPE



EPF



EPL

Accessories for EP Blocks

Model	Description	Product Code	Price
EP-MCP	Option remote installation	192969	€296.00
EPBFC	Option limit detection stop	192959	€207.00



Order products on day 1, will be shipped no later than day 2

Order products on day 1, will be shipped no later than day 3. Maximum quantities apply for this service.

Available on request. Please enquire about delivery times of these items.

Suspension options



CE – Swivel hook with safety catch

Model	WLL (t)	Max. opening (mm)	Weight (kg)	Product code	Price
C120E	0.8	19	0.5	104979	€58.00
C121E	1	22	0.9	104989	€57.00
C125E	1.5	22	0.9	104999	€56.00
C126E	2.5	22	1.4	105009	€81.00
C127E	3.2	25	1.7	105019	€121.00
C128E	5.4	31	3.3	105029	€149.00
C134E	8	41	6.8	105039	€183.00
C135E	11	47	10	105049	€368.00
C136E	16	53	15	105059	€637.00
C137E	22	75	26	105069	€1,034.00



CH – High resistance anchor shackle

- High resistance anchor shackle
- Bolt type anchor shackles with thin head bolt-nut, with cotter pin

Model	WLL (t)	Max. opening (mm)	Ø axle	Weight (kg)	Product code	Price
C036H/6	1	17	12	0.2	105599	€25.00
C037H/6	1.5	18	14	0.22	105609	€25.00
C039H/6	3.25	27	20	0.76	105589	€45.00
C040H/6	4.75	32	22	1.2	105619	€78.00
C041H/6	6.5	37	25	1.5	192269	€110.00
C042H/6	8.5	43	30	2.5	192279	€153.00
C043H/6	12	52	35	4.5	192289	€220.00
C044H/6	13.5	57	38	6.6	192299	€307.00
C100H/6	2	20	16	0.44	192648	POA



CJ – Eye hook with safety catch

- Eye hook with safety catch
- Stamped hook
- Mainly fitted on sling or rope

Model	WLL (t)	Max. opening (mm)	Weight (kg)	Product code	Price
C091J	0.8	19	0.3	105079	€25.00
C092J	1	19	0.45	105089	€31.50
C101J	1.25	19	0.3	105109	€24.00
C093J	1.6	24	0.6	105099	€36.50
C102J	1.6	19	0.45	105119	€36.00
C103J	2.5	24	0.6	105129	€41.00
C104J	3.2	25	0.9	105139	€45.00
C105J	5.4	30	1.6	105149	€78.00
C106J	8	38	3.5	105159	€116.00



TOPAL



TOPAL RANGE

Tractel offers a complete range of lifting accessories (clamps, beams, etc.) to facilitate safe lifting and movement of materials.

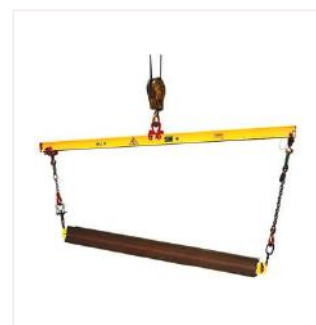
STANDARD PRODUCTS

All standard products exceed the highest safety requirements and are designed from a user's point of view: versatile, robust, simple and suitable for use in building, industry, maritime, on-shore, off-shore, etc. All products are available from stock.

SPECIAL SOLUTIONS

The specialists from the Solutions department design, produce and test a wide variety of special products with a capacity up to 500 t and beyond, in accordance with customer requirements. Special products are: Crane blocks, Rotablocks, lifting beams, wire rope blocks, C-hooks, directional blocks, sheaves, swivels, etc.

All our products are CE & UKCA conform.
They are all delivered with instruction manual + CE/UKCA certificate





TOPAL speciale designs



Tractel Solutions SAS manufactures on request a wide range of lifting clamps, either derived standard clamps or designed for a special application.
From a simple polyurethane coating on an existing clamp up to a completely new design.

If you have any special needs, please contact us:

[Tractel Benelux](#)

Tel: +31 (0)76 543 5135

E-mail: sales.benelux.tractel@alimakgroup.com



Construction clamps

BX Kerbstone Clamps

- Easy to transport
- Easy to handle
- Great adherence without marking the load.
- Minimised damage risk

Model	WLL	Jaw Opening (mm)	Weight (kg)	Product Code	Price
BX12 1000	120	1 000	9	54008	€376.00
BX02 120-130	200	120-300	10	50028	€525.00



RB lifting clamp for concrete pipe sections

- Hooks for lifting circular or rectangular concrete manholes
- Manufactured without load bearing welds
- Hot epoxy coating
- Safety factor: 3 (EN 13155.2003 norm)

Model	Description	WLL (kg)	Opening (mm)	Weight (kg)	Product code	Price
RB1.5 40-110	Lifting clamp	500	40-110	9	50728	€279.00
RBE 1500	Chain 3-hooks, l=1,500 mm for 3 RB clamps	1,500	-	4.9	50738	€216.00
RBE 1	2-Leg sling RB1.5 HOOKS	1,000	-	2.7	52468	€185.00
RB1.5 E-3	-	1,500	-	31	54068	€994.00
RB1.5 E-2	-	1,000	-	21	54078	€805.00



Clamps for infrastructure sector

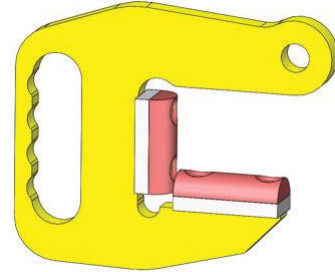
F lifting hook for pipe sections



F Hook



F Hook PVC version



F Hook PU version

- Lifting of horizontal pipes or tubes
- Large capacity hooks
- Quick and easy to use
- Coating possible
- Capacity from 1 to 15 t/pair

Model	WLL (kg) per hook	Jaw-opening (mm)	Weight (kg)	Product code	Price per hook
F2 0-60	1,000	0-60	2	189028	€126.00
F5 0-75	2,500	0-75	5	189038	€162.00
F7.5 0-100	3,750	0-100	7.5	185958	€267.00
F10 - 0-100	5,000	0-100	15	189048	€403.00
F15 0-100	7,500	0-100	20	189058	€429.00

F lifting hook | PVC version

for sensitive products, to prevent surface marking

Model	WLL (kg) per hook	Jaw-opening (mm)	Weight (kg)	Product code	Price per hook
F2-0-60/IIPVC	1,000	0-60	2	185968	€225.00
F5-0-75/IIPVC	2,500	0-75	5	185978	€325.00
F7.5-0-100/IIPVC	3,750	0-100	7.5	185988	€400.00
F10-0-100/IIPVC	5,000	0-100	15	185998	€559.00
F15-0-100/IIPVC	7,500	0-100	20	189008	€753.00

F lifting hook | PU version

for products with an abrasive surface to prevent marking

Model	WLL (kg) per hook	Jaw-opening (mm)	Weight (kg)	Product code	Price per hook
F2-0-45/IIPU	1,000	0-45	2	189078	€689.00
F5-0-55/IIPU	2,500	0-55	5	189088	€741.00
F7.5-0-90/IIPU	3,750	0-90	7.5	189098	€1,490.00
F10-0-90/IIPU	5,000	0-90	15	189108	€983.00
F15-0-90/IIPU	7,500	0-90	20	189118	€1,130.00



Order products on day 1, will be shipped no later than day 2



Order products on day 1, will be shipped no later than day 3. Maximum quantities apply for this service.



Available on request. Please enquire about delivery times of these items.

Clamps for infrastructure sector

2-legged chain sling with shackles for F hooks

Slings 2 x F2 / < 2 000 kg

Model	Pipe length max (mm)	Product code	Price
E2W04000HR/1000	1 400	191808	€275.00
E2W04000HR/2000	2 800	191818	€379.00
E2W04000HR/3000	4 200	191828	€455.00
E2W04000HR/4000	5 600	191838	€525.00
E2W04000HR/5000	7 000	191848	€601.00

Slings 2 x F5 / < 5 000 kg

Model	Pipe length max (mm)	Product code	Price
E2W06700HR/1000	1 400	192158	€548.00
E2W06700HR/2000	2 800	192168	€681.00
E2W06700HR/3000	4 200	192178	€798.00
E2W06700HR/4000	5 600	192188	€927.00
E2W06700HR/5000	7 000	192198	€987.00

Ketting 2 x F7.5 / < 10000kg

Model	Pipe length max (mm)	Product code	Price
E2W11500HR/1000	1 400	192258	€1,018.00
E2W11500HR/2000	2 800	192268	€1,243.00
E2W11500HR/3000	4 200	192278	€1,378.00
E2W11500HR/4000	5 600	192288	€1,509.00
E2W11500HR/5000	7 000	192298	€1,710.00

Slings 2 x F10 / < 10 000 kg

Model	Pipe length max (mm)	Product code	Price
E2W11500HR/1000	1 400	192258	€1,007.00
E2W11500HR/2000	2 800	192268	€1,230.00
E2W11500HR/3000	4 200	192278	€1,200.00
E2W11500HR/4000	5 600	192288	€1,494.00
E2W11500HR/5000	7 000	192298	€1,693.00

Slings 2 x F15 / < 15 000 kg


Model	Jaw Opening (mm)	Product Code	Price
E2W17000HR/1000	1 400	192308	€1,745.00
E2W17000HR/2000	2 800	192318	€2,134.00
E2W17000HR/3000	4 200	192328	€2,247.00
E2W17000HR/4000	5 600	192338	€2,595.00
E2W17000HR/5000	7 000	192348	€2,942.00


- Standard lengths from 1 to 5 metres
- Additional notch hook to shorten chains
- Max angle between the 2 chains is 90°


To ensure the recommended angle of 90°, the maximum length of pipe depends on the chain length.

Shorter pipe sections can be lifted with the shortening hook.



 Order products on day 1, will be shipped no later than day 2

 Order products on day 1, will be shipped no later than day 3. Maximum quantities apply for this service.

 Available on request. Please enquire about delivery times of these items.

Clamps for infrastructure sector

TB Lifting Hook For Pipe Sections

- Quick and easy to use
- Coating possible
- Capacity from 1 to 15 t/pair

Model	WLL (kg) per pair	Jaw-opening (mm)	Weight (kg)	Product code	Price per pair
TB1 0-150	500	0-150	4	50798	€187.00
TB2 0-200	1,000	0-200	9	50808	€260.00
TB3 0-250	1,500	0-250	15	50818	€499.00
TB1 0-125-PU	500	0-125	4	189128	€796.00
TB2 0-175-PU	1,000	0-175	9	189138	€873.00
TB3 0-225-PU	1,500	0-225	15	189148	€969.00

2-legged chain sling with shackles for TB hooks

- Standard lengths from 1 to 5 metres
- Additional notch hook to shorten chains
- Max angle between the 2 chains is 90°

To ensure the recommended angle of 90°, the maximum length of the pipe is dependent for the chain length.

Shorter pipe sections can be lifted with the shortening hook.

Slings 2 x TB1/ < 1000 kg

Model	Pipe length max (mm)	Product code	Price
E2W01600HR/1000	1 400	191708	€210.00
E2W01600HR/2000	2 800	191718	€245.00
E2W01600HR/3000	4 200	191728	€289.00
E2W01600HR/4000	5 600	191738	€378.00
E2W01600HR/5000	7 000	191748	€464.00

Slings 2 x TB2/ < 2000 kg

Model	Pipe length max (mm)	Product code	Price
E2W04000HR/1000	1 400	191808	€264.00
E2W04000HR/2000	2 800	191818	€343.00
E2W04000HR/3000	4 200	191828	€423.00
E2W04000HR/4000	5 600	191838	€499.00
E2W04000HR/5000	7 000	191848	€552.00

Slings 2 x TB3/ < 3000 kg

Model	Pipe length max (mm)	Product code	Price
E2W04100HR/1000	1 400	191858	€360.00
E2W04100HR/2000	2 800	191868	€488.00
E2W04100HR/3000	4 200	191878	€561.00
E2W04100HR/4000	5 600	191888	€635.00
E2W04100HR/5000	7 000	191898	€706.00



Order products on day 1, will be shipped no later than day 2



Order products on day 1, will be shipped no later than day 3. Maximum quantities apply for this service.



Available on request. Please enquire about delivery times of these items.

Clamps for infrastructure sector

TI - Lifting Clamp For Round Materials and Pipe Sections

- Clamps for lifting & laying horizontal pipes in trenches
- Transport and/ or laying in trenches of pipes, bars, tubes...
- Manufacture without load bearing welds
- Hot epoxy coating
- Safety factor: 3 (EN 13155.2003 norm)
- Chloroprene coating for sensitive goods to avoid marking of the surface

Model	WLL	Jaw Opening (mm)	Weight (kg)	Product Code	Price
TIA05 230-400	500	230-400	37	50948	€1,977.00
TIS05 230-400	500	230-400	35	50938	€1,923.00
TIA1 450-900	1,000	450-900	64	50988	€3,855.00
TIS1 450-900	1,000	450-900	64	50978	€4,026.00
TIA05 380-650	500	380-650	39	50968	€3,248.00
TIS05 380-650	500	380-650	39	50958	€3,009.00
TIA 380-650 CR	500	380-650	39	189188	€3,299.00
TIS 380-650 CR	500	380-650	39	189178	€3,142.00
TIA 230-400 CR	500	230-400	37	189168	€2,363.00
TIS 230-400 CR	500	230-400	35	189158	€2,150.00
TIA1 450-900 CR	1,000	450-900	64	189208	€4,559.00
TIS1 450-900 CR	1,000	450-900	64	189198	€4,045.00

TIS = Automatic depositing

TIA = Automatic clamping and depositing

CR = Chloroprene coating



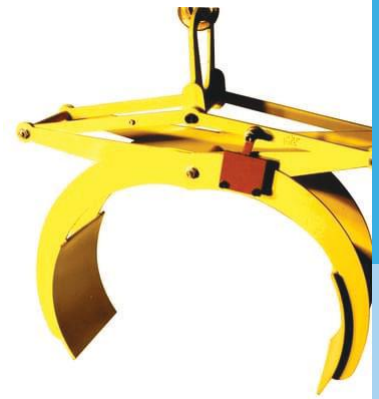
Order products on day 1, will be shipped no later than day 2



Order products on day 1, will be shipped no later than day 3. Maximum quantities apply for this service.



Available on request. Please enquire about delivery times of these items.



Vertical plate clamps



KF clamp

- Vertical lifting
- Handling of unit steel loads
- Spring safety system
- Hardness 300 HB

Model	WLL	Jaw Opening (mm)	Weight (kg)	Product Code	Price
KF 1 0-22	1,000	0-22	3.8	189418	€153.00
KF 2 0-30	2,000	0-30	6.3	189428	€212.00
KF 3 0-35	3,000	0-35	9.6	189438	€283.00
KF 5 0-50	5,000	0-50	19	189448	€474.00



KT clamp

- Lifting and tilting, vertical to horizontal
- Handling of unit steel loads
- Spring safety system
- Hardness 300 HB

Model	WLL	Jaw Opening (mm)	Weight (kg)	Product Code	Price
KT 0.5 0-15	500	0-15	2	189918	€176.00
KT 1 0-20	1,000	0-20	4.5	189928	€293.00
KT 2 0-25	2,000	0-25	7.3	189938	€363.00
KT 3 0-30	3,000	0-30	15	189948	€495.00
KT 5 0-50	5,000	0-50	21.6	189958	€595.00
KT 8 45-80	8,000	45-80	38.3	189968	€941.00

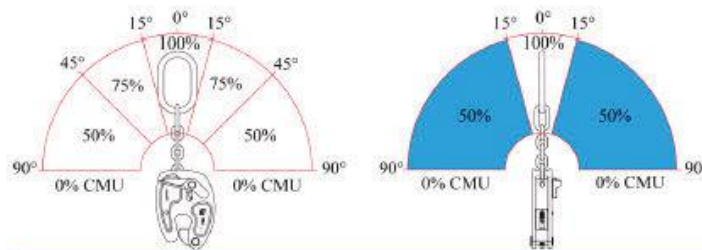


Vertical plate clamps

KS - Multi-Position Lifting Clamp

- Horizontal and vertical use
- Manual release
- One-sided mark
- Spare parts kits available.
- Safety coefficient according to EN 13155
- Pliers tested individually before delivery
- Hot epoxy coating
- Hardness up to 300 HB

Model	WLL	Jaw Opening (mm)	Weight (kg)	Product Code	Price
KS075 0-15	750	0-15	1.55	50238	€355.00
KS1 0-20	1,000	0-20	3.5	50248	€465.00
KS2 0-25	2,000	0-25	6.26	50258	€564.00
KS3 0-30	3,000	0-30	12.1	50268	€960.00



		LIFTING	TURNING
VERTICAL PLATE	ONE CLAMP	 WLL at 100% +/- 15° around the vertical	 WLL reduced with 50%
	2 CLAMPS WITHOUT LIFTING BEAM	 WLL reduced with 50% if lifting angle exceeds 30°	
HORIZONTAL PLATE	ONE CLAMP		 WLL reduced with 50%
	2 CLAMPS WITH LIFTING BEAM	 WLL reduced with 50%	
	2 CLAMPS WITHOUT LIFTING BEAM		

Vertical plate clamps



NK - Automatic Lifting Clamp

- Horizontal and vertical use
- Closes automatically
- Manual release
- Hot epoxy coating
- Hardness up to 330 HB

Model	WLL	Jaw Opening (mm)	Weight (kg)	Product Code	Price
NK1 0-20	1,500	0-20	4	50288	€807.00
NK1 20-40	1,500	20-40	6	50298	€1,095.00
NK1 40-60	1,500	40-60	6	50308	€1,295.00
NK2 0-30	3,000	0-30	13	50318	€1,283.00
NK2 30-60	3,000	30-60	15	50328	€1,679.00
NK2 60-90	3,000	60-90	17	50338	€1,850.00
NK3 0-40	4,500	0-40	25	50348	€2,301.00
NK3 40-80	4,500	40-80	26	50358	€2,225.00
NK3 80-120	4,500	80-120	27	50368	€3,204.00
NK5 0-50	7,500	0-50	42	50378	€4,818.00
NK5 50-100	7,500	50-100	50	50388	€5,254.00
NK5 100-150	7,500	100-150	60	50398	€5,719.00



NX - NXR Automatic Lifting Clamp

- Non-marking
- Horizontal and vertical use
- Closes automatically
- Manual release
- Hot epoxy coating

Model	WLL	Jaw Opening (mm)	Weight (kg)	Product Code	Price
NX05 0-20	500	0-20	4.5	50408	€932.00
NX1.5 0-30	1,500	0-30	11	50418	€1,373.00
NXR05 0-100	500	0-100	6	50428	€1,263.00
NXR05 20-120	500	20-120	5.8	50438	€1,498.00
NXR05 40-140	500	40-140	6	50448	€1,500.00



Horizontal lifting magnets

Magfor™ - Permanent lifting magnets

Magfor II Lifting Magnet

- Permanent magnet lifter
- Capacity up to 5t
- Very powerful
- Large lifting eye
- Robust
- Use: -20 to +80 °C

Model	W.L.L. (Plate/Flat)	W.L.L. (Round)	Weight (kg)	Product Code	Price
magfor™ II 100	100	50	4	185438	€529.00
magfor™ II 300	300	125	9.5	185448	€800.00
magfor™ II 500	500	215	18	185458	€1,154.00
magfor™ II 1000	1 000	450	41.5	185468	€2,005.00
Magfor™ II 2000	2 000	800	113	185478	€4,409.00
magfor™ II 3000	3 000	1 200	190	192138	€6,583.00
magfor™ II 5000	5 000	2 400	400	192148	€12,360.00



Magfor II HT Lifting Magnet

- Permanent magnet lifter
- High-temperature applications
- Material: ≤ +250 °C
- In accordance with EN 13155:2003 standard

Model	W.L.L. (Plate/Flat)	W.L.L. (Round)	Weight (kg)	Product Code	Price
magfor™ II 200 HT	200	100	9.5	185518	€1,788.00
magfor™ II 400 HT	400	200	18	185548	€2,335.00
Magfor II 800 HT	800	400	41.5	185578	€3,692.00



Order products on day 1, will be shipped no later than day 2



Order products on day 1, will be shipped no later than day 3. Maximum quantities apply for this service.



Available on request. Please enquire about delivery times of these items.

Horizontal lifting magnets

Magfor™ - Permanent lifting magnets



Magfor II HO Lifting Magnet

- Permanent magnet lifter
- 4 thread holes
- Customized assembly
- In accordance with EN 13155:2003 standard

Model	W.L.L. (Plate/Flat)	W.L.L. (Round)	Weight (kg)	Product Code	Price
magfor™ II 100 HO	100	50	4	185508	€670.00
magfor™ II 300 HO	300	125	9.5	185538	€1,048.00
Magfor II 500 HO	500	215	18	185568	€1,455.00
magfor™ II 1000 HO	1 000	450	41.5	185588	€3,724.00



magfor™ II TP Lifting Magnet

- Permanent magnet lifter
- Designed to separate thin plates in a bundle
- Separating thin plates
- Unique magnetic field

Model	W.L.L. (Plate/Flat)	Weight (kg)	Product Code	Price
magfor™ II 180 TP	180	9.5	185528	€1,379.00
magfor™ II 300 TP	300	18	185558	€1,737.00



Magfor Auto

Battery powered permanent magnet

Magfor Auto is a permanent magnet that is activated by a motor and powered by a battery. The activation / deactivation of the magnetism can be done either automatically or by pushing a button.

Designed to lift flat or cylindrical steel parts

Two lifting magnets can be used simultaneously on one lifting beam in automatic mode

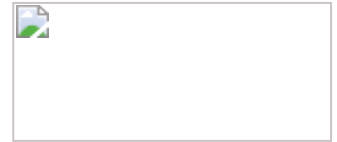
Can be used on a crane

No battery consumption during lifting. Only a short pulse of less than one second is required for magnetising and demagnetising.

A built-in safety mechanism prevents demagnetising and release of the load when it is suspended. (ADPREM safety system) The electro-permanent technology maintains the full holding force even in the event of a power failure.

Can be used in mechanical engineering, toolmaking, plant construction, shipbuilding, steelworks, cutting operations, transporters or warehouses.

Model	WLL flat (kg)	WLL round (kg)	Product code	Price
Magfor Auto 200	200	50	192208	€5,347.00
Magfor Auto 500	500	200	192218	€6,568.00
Magfor Auto 950	1000	400	192228	€9,268.00
Spare batterr for Magfor Auto 500 & 950	-	-	192238	€1,006.00



Order products on day 1, will be shipped no later than day 2

Order products on day 1, will be shipped no later than day 3. Maximum quantities apply for this service.

Available on request. Please enquire about delivery times of these items.

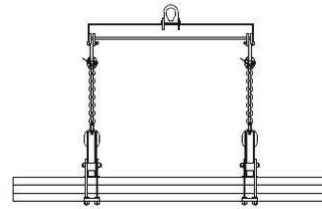
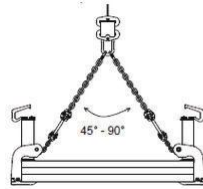
Horizontal plate clamps

TLC Lifting Clamp

- Universal clamps for lifting horizontal plates
- Lifting thin or thick loads
- Manufactured without load bearing welds
- Hot epoxy coating
- Safety factor: 3 (EN 13155.2003 norm)
- Sling angle 45° to 90°



Model	WLL (kg) per clamp	Jaw-opening (mm)	Weight (kg)	Product code	Price per clamp
TLC1	500	0-150	12	50998	€921.00
TLC2.5	1,250	0-150	15	51008	€1,023.00
TLC4	2,000	0-150	17	51018	€1,249.00
TLC6	3,000	0-150	22	51028	€1,343.00



2-legged chain sling with shackles for TLC hooks

- Standard lengths from 1 to 5 metres
- Additional notch hook to shorten chains
- Max angle between the 2 chains is 45°-90°
- To ensure the recommended angle, the maximum slab width determines the chain length.

Slings 2x TLC 1 / ≤ 1000kg

Model	Plate width max (mm)	Product code	Price
E2W01600C0/1000	1 400	191008	€172.00
E2W01600C0/2000	2 800	191018	€237.00
E2W01600C0/3000	4 200	191028	€270.00
E2W01600C0/4000	5 600	191038	€335.00
E2W01600C0/5000	7 000	191048	€374.00

Slings 2x TLC 2.5 / ≤ 2500kg

Model	Plate width max (mm)	Product code	Price
E2W04000C0/1000	1 400	191108	€285.00
E2W04000C0/2000	2 800	191118	€297.00
E2W04000C0/3000	4 200	191128	€344.00
E2W04000C0/4000	5 600	191138	€406.00
E2W04000C0/5000	7 000	191148	€454.00

Slings 2x TLC 4 / ≤ 4000kg

Model	Plate width max (mm)	Product code	Price
E2W06300C0/1000	1 400	191208	€401.00
E2W06300C0/2000	2 800	191218	€482.00
E2W06300C0/3000	4 200	191228	€574.00
E2W06300C0/4000	5 600	191238	€652.00
E2W06300C0/5000	7 000	191248	€725.00

Slings 2x TLC 6 / ≤ 6000kg

Model	Plate width max (mm)	Product code	Price
E2W06700C0/1000	1 400	191258	€535.00
E2W06700C0/2000	2 800	191268	€623.00
E2W06700C0/3000	4 200	191278	€740.00
E2W06700C0/4000	5 600	191288	€858.00
E2W06700C0/5000	7 000	191298	€975.00

Horizontal plate clamps

2-legged chain sling with shackles for TLC hooks

- Standard lengths from 1 to 5 metres
- Additional notch hook to shorten chains
- Max angle between the 2 chains is 45°-90°

To ensure the recommended angle, the maximum slab width determines the chain length.

Slings 3 x TLC 1 / ≤ 1500 kg

Model	Plate width max (mm)	Product code	Price
E3W02400C0/1000	1 400	191358	€392.00
E3W02400C0/2000	2 800	191368	€432.00
E3W02400C0/3000	4 200	191378	€498.00
E3W02400C0/4000	5 600	191388	€552.00
E3W02400C0/5000	7 000	191398	€625.00

Slings 3x TLC 2.5 / <3750kg

Model	Plate width max (mm)	Product code	Price
E3W06000C0/1000	1 400	191458	€486.00
E3W06000C0/2000	2 800	191468	€586.00
E3W06000C0/3000	4 200	191478	€666.00
E3W06000C0/4000	5 600	191488	€741.00
E3W06000C0/5000	7 000	191498	€817.00

Slings 3 x TLC 4 / < 6000 kg

Model	Plate width max (mm)	Product code	Price
E3W08500C0/1000	1 400	191558	€701.00
E3W08500C0/2000	2 800	191568	€803.00
E3W08500C0/3000	4 200	191578	€907.00
E3W08500C0/4000	5 600	191588	€1,008.00
E3W08500C0/5000	7 000	191598	€1,111.00

Slings 3 x TLC 9 / < 9000 kg

Model	Plate width max (mm)	Product code	Price
E3W10700C0/1000	1 400	191608	€932.00
E3W10700C0/2000	2 800	191618	€1,066.00
E3W10700C0/3000	4 200	191628	€1,199.00
E3W10700C0/4000	5 600	191638	€1,336.00
E3W10700C0/5000	7 000	191648	€1,503.00



Horizontal plate clamps



TLR Lifting Clamp

- Adjustable clamps for horizontal plates
- Use in pairs for lifting plates or sheets, individual or in bundles
- Hot epoxy coating
- Safety factor: 3 (EN 13155)

Model	WLL (kg) per clamp	Jaw-opening (mm)	Weight (kg)	Product code	Prijs per clamp
TLR2 0-300	1,000	0-300	9	51158	€767.00
TLR3 0-300	1,500	0-300	14	51168	€882.00
TLR5 0-300	2,500	0-300	22	51178	€1,236.00
TLR10 0-300	5,000	0-300	29	51188	€1,504.00



TLH Lifting Clamp

- Horizontal plate clamps
- Use in pairs for lifting horizontal plates or sheet metals
- Hot epoxy coating
- Safety factor: 3 (EN 13155.2003 norm)

Model	WLL (kg) per clamp	Jaw-opening (mm)	Weight (kg)	Product code	Prijs per clamp
TLH1 0-60	500	0-60	3	51038	€198.00
TLH1 0-120	500	0-120	5	51048	€292.00
TLH2 0-60	1,000	0-60	5	51058	€315.00
TLH2 0-120	1,000	0-120	8	51068	€361.00
TLH3 0-60	1,500	0-60	6	51078	€368.00
TLH3 0-150	1,500	0-150	13	51088	€495.00
TLH4 0-60	2,000	0-60	8	51098	€460.00
TLH4 0-150	2,000	0-150	17	51108	€656.00
TLH5 0-60	2,500	0-60	10	51118	€529.00
TLH5 0-150	2,500	0-150	21	51128	€756.00
TLH10 0-60	5,000	0-60	16	51138	€896.00
TLH10 0-150	5,000	0-150	31	51148	€1,051.00
TLH1 0-40-PU	500	0-40	3	189218	€1,088.00
TLH1 0-100-PU	500	0-100	5	189228	€1,233.00
TLH2 0-40-PU	1,000	0-40	5	189238	€1,199.00
TLH2 0-100-PU	1,000	0-100	8	189248	€1,331.00
TLH3 0-40-PU	1,500	0-40	6	189258	€1,258.00
TLH3 0-130-PU	1,500	0-130	13	189268	€1,378.00
TLH4 0-40-PU	2,000	0-40	8	189278	€1,338.00
TLH4 0-130-PU	2,000	0-130	17	189288	€1,553.00
TLH5 0-40-PU	2,500	0-40	10	189298	€1,427.00
TLH5 0-130-PU	2,500	0-130	21	189308	€1,780.00
TLH10 0-40-PU	5,000	0-40	16	189318	€1,656.00
TLH10 0-130-PU	5,000	0-130	31	189328	€2,009.00



Horizontal plate clamps

2/3-legged chain sling with shackles for TLH/TLR clamps

- Standard lengths from 1 to 5 metres
- Additional notch hook to shorten chains
- Max angle between the 2 chains is 45°-60°
- To ensure the recommended angle, the maximum slab width determines the chain length

Slings 2x TLH 1 / ≤ 1000 kg

Model	Plate width max (mm)	Product code	Price
E2W01600C0/1000	1 000	191008	€169.00
E2W01600C0/2000	2 000	191018	€224.00
E2W01600C0/3000	3 000	191028	€265.00
E2W01600C0/4000	4 000	191038	€331.00
E2W01600C0/5000	5 000	191048	€370.00

Slings 2x TLH10/≤ 10000kg

Model	Plate width max (mm)	Product code	Price
E2W11500C0/1000	1 000	191308	€882.00
E2W11500C0/2000	2 000	191318	€1,108.00
E2W11500C0/3000	3 000	191328	€1,333.00
E2W11500C0/4000	4 000	191338	€1,559.00
E2W11500C0/5000	5 000	191348	€1,785.00

2xTLH2-3/≤2000kg≤ 3000kg

Model	Plate width max (mm)	Product code	Price
E2W04000C0/1000	1 000	191108	€227.00
E2W04000C0/2000	2 000	191118	€267.00
E2W04000C0/3000	3 000	191128	€310.00
E2W06300C0/4000	4 000	191138	€401.00
E2W06300C0/5000	5 000	191148	€449.00

2xTLH4-5/≤4000kg≤ 5000kg

Model	Plate width max (mm)	Product code	Price
E2W06300C0/1000	1 000	191208	€395.00
E2W06300C0/2000	2 000	191218	€368.00
E2W06300C0/3000	3 000	191228	€497.00
E2W06300C0/4000	4 000	191238	€645.00
E2W06300C0/5000	5 000	191248	€717.00

Slings 3x TLH 1 / ≤ 1500kg

Model	Plate width max (mm)	Product code	Price
E3W024000C0/1000	1 000	191358	€388.00
E3W024000C0/2000	2 000	191368	€385.00
E3W024000C0/3000	3 000	191378	€422.00
E3W024000C0/4000	4 000	191388	€485.00
E3W024000C0/5000	5 000	191398	€618.00

Slings 3x TLH10/≤ 15000kg

Model	Plate width max (mm)	Product code	Price
E3W17000C0/1000	1 000	191658	€1,477.00
E3W17000C0/2000	2 000	191668	€1,815.00
E3W17000C0/3000	3 000	191678	€2,154.00
E3W17000C0/4000	4 000	191688	€2,492.00
E3W17000C0/5000	5 000	191698	€2,831.00

3xTLH2-3/≤3000kg≤ 4500kg

Model	Plate width max (mm)	Product code	Price
E3W06000C0/1000	1 000	191458	€440.00
E3W06000C0/2000	2 000	191468	€507.00
E3W06000C0/3000	3 000	191478	€659.00
E3W06000C0/4000	4 000	191488	€733.00
E3W06000C0/5000	5 000	191498	€808.00

3xTLH4-5/≤6000kg≤ 7500kg

Model	Plate width max (mm)	Product code	Price
E3W08500C0/1000	1 000	191558	€694.00
E3W08500C0/2000	2 000	191568	€795.00
E3W08500C0/3000	3 000	191578	€898.00
E3W08500C0/4000	4 000	191588	€998.00
E3W08500C0/5000	5 000	191598	€1,100.00

Horizontal plate clamps



QR - Double Lifting Hook

- Double hooks for lifting horizontal plates
- Use in pairs with a 4-legged sling
- Manufactured without load bearing welds
- Hot epoxy coating
- Safety factor: 3 5EN 13155.2003 norm°

Model	WLL (kg) per hook	Jaw-opening (mm)	Weight (kg)	Product code	Price per hook
QR3 0-300	1,500	300	18	50648	€1,196.00
QR6 0-300	3,000	300	23	50658	€1,622.00
QR12 0-300	6,000	300	57.5	50668	€2,372.00



QS Single Lifting Hook

Single lifting hook for the horizontal transport of plates, bundles or construction parts. For use in configurations of 4 or more clamps. Lifting chain available upon request. Opening 300 mm, very suitable for thick plates.

Use in 4s with two 2-legged slings and lifting beam.

- Fixed model 300 mm
- Easy to use
- Hot epoxy coating

Model	WLL	Jaw Opening (mm)	Weight (kg)	Product Code	Price
QS1,5 0-300	750	300	7	50678	€593.00
QS3 0-300	1,500	300	10	50688	€700.00
QS6 0-300	3,000	300	15	50698	€988.00



QX - Double Lifting Hook

- Double hooks for separating & lifting horizontal plates
- Use in pairs with a 2-legged sling
- Manufactured without load bearing welds
- Hot epoxy coating
- Safety factor: 3 (EN 13155.2003 norm)

Model	WLL	Jaw Opening (mm)	Weight (kg)	Product Code	Price
QX10-120	5,000	120	30	50708	€1,815.00
QX10-210	5,000	210	38	50718	€2,359.00



2-legged chain sling for QX hook

Slings 2x QX10 / ≤ 10000 kg

- Standard lengths from 1 to 5 metres - additional notch hook to shorten chains
- Max angle between the 2 chains is 50°-60°
- To ensure recommended angle, the max. plate width determines the chain length

Model	Plate width max (mm)	Product code	Price
E2W11500HR/1000	1000	192258	€1,007.00
E2W11500HR/2000	2000	192268	€1,230.00
E2W11500HR/3000	3000	192278	€1,200.00
E2W11500HR/3000	4000	192288	€1,494.00
E2W11500HR/5000	5000	192298	€1,693.00

Horizontal plate clamps

4-legged chain sling with shackles for QR hook

Slings 4 x QR3 / < 3000 kg

Model	Plate width max (mm)	Product code	Price
E4W04000HR/1000	1 000	192358	€479.00
E4W04000HR/2000	2 000	192368	€482.00
E4W04000HR/3000	3 000	192378	€581.00
E4W04000HR/4000	4 000	192388	€715.00
E4W04000HR/5000	5 000	192398	€790.00

Slings 4 x QR6 / < 6000 kg

Model	Plate width max (mm)	Product code	Price
E4W6700HR/1000	1 000	192408	€827.00
E4W6700HR/2000	2 000	192418	€836.00
E4W6700HR/3000	3 000	192428	€1,119.00
E4W6700HR/4000	4 000	192438	€1,263.00
E4W6700HR/5000	5 000	192448	€1,286.00

Slings 4x QR12 / < 12000kg

Model	Plate width max (mm)	Product code	Price
E4W12900HR/1000	1 000	192458	€1,019.00
E4W12900HR/2000	2 000	192468	€1,210.00
E4W12900HR/3000	3 000	192478	€1,413.00
E4W12900HR/4000	4 000	192488	€1,463.00
E4W12900HR/5000	5 000	192498	€2,487.00



- Additional notch hook to shorten chains
- Max angle between the 2 chains is 50°-60°
- To ensure the recommended angle, the maximum slab width determines the chain length

2-legged chain sling with shackles for QS hook

Sling 2x QS1.5 / < 1500kg

Model	Plate width max (mm)	Product code	Price
E2W01600HR/1000	1 000	191708	€201.00
E2W01600HR/2000	2 000	191718	€202.00
E2W01600HR/3000	3 000	191728	€277.00
E2W01600HR/4000	4 000	191738	€357.00
E2W01600HR/5000	5 000	191748	€419.00

Sling 2 x QS3 / < 3000kg

Model	Plate width max (mm)	Product code	Price
E2W04000HR/1000	1 000	191808	€264.00
E2W04000HR/2000	2 000	191818	€343.00
E2W04000HR/3000	3 000	191828	€423.00
E2W04000HR/4000	4 000	191838	€499.00
E2W04000HR/5000	5 000	191848	€552.00

Sling 2 x QS6 / < 6000kg

Model	Plate width max (mm)	Product code	Price
E2W06700HR/1000	1 000	192158	€504.00
E2W06700HR/2000	2 000	192168	€674.00
E2W06700HR/3000	3 000	192178	€790.00
E2W06700HR/4000	4 000	192188	€697.00
E2W06700HR/5000	5 000	192198	€882.00

- Standard lengths from 1 to 5 metres
- Additional notch hook to shorten chains
- Max angle between the 2 chains is 50°-60°
- To ensure the recommended angle, the maximum slab width determines the chain length



Drum clamps



HF Drum Clamp

- Semi-automatic clamp for lifting horizontal steel drums with rim
- Manufactured without load bearing welds
- Hot epoxy coating
- Safety factor: 3 (EN 13155.2003 standard)

Model	WLL	Jaw Opening (mm)	Weight (kg)	Product Code	Price
HF05 440-920	500	440-920	6	50208	€329.00



VDL Drum Clamp

- Lifting of steel drums with rim
- Vertical or horizontal position
- Manufacture without load bearing welds
- Hot epoxy coating
- Safety factor: 3 (EN 13155.2003 norm)

Model	WLL	Jaw Opening (mm)	Weight (kg)	Product Code	Price
VDL-1	1,000	150-950	3.5	54398	€324.00



VLF Drum Clamp

- Clamps for lifting vertical steel drums with rim
- Manufacture without load bearing welds
- Hot epoxy coating
- Safety factor: 3 (EN 13155.2003 norm)

Model	WLL (kg)	Drum diameter (mm)	Weight (kg)	Product code	Price
VLFO5 600	500	600	6.7	51268	€446.00
VLFO8 600	800	600	9.6	51278	€649.00



Drum clamps

VFR Drum Clamp

- Semi-automatic clamps for vertical steel drum lifting
- Manufacture without load bearing welds
- Hot epoxy coating
- Safety factor: 3 (EN 13155.2003 norm)

Model	WLL (kg)	Drum diameter (mm)	Weight (kg)	Product code	Price
VFR05 5	500	400-500	12	51248	€802.00
VFR05 6	500	500-600	14	51258	€899.00



VFA Drum Clamp

- Lifting of steel drums
- Vertical position (with diameter 600 mm)
- Manufactured without load bearing welds
- Hot epoxy coating
- Safety factor: 3 (EN 13155.2003 norm.)

Model	WLL (kg)	Drum diameter (mm)	Weight (kg)	Product code	Price
VFA 025	300	600	24	51208	€1,409.00



VFB Drum Clamp

- VFB03-S: semi-automatic release.
- VFB03-A: fully automatic locking and release.
- VFB03-AR: with reduction gear for emptying the contents of the drum accurately and effortlessly.
- Tilting the drums
- Handles for easy use
- Durable
- Clamping jaw with nitrile finish for optimal grip
- Available in 3 versions
- Hot epoxy coating

Model	WLL	Jaw Opening (mm)	Weight (kg)	Product Code	Price
VFB 03 S	300	600	53	51218	€3,276.00
VFB 03 A	300	600	54	51228	€3,727.00
VFB 03 AR	300	600	66	51238	€5,725.00



Order products on day 1, will be shipped no later than day 2



Order products on day 1, will be shipped no later than day 3. Maximum quantities apply for this service.



Available on request. Please enquire about delivery times of these items.

Clamps for pipe and beam profiles



GP - Beam Clamp with Screw Spindle

- Beam clamp
- Provides a fixed or temporary suspension point
- Lifting of I or H profiles
- Manufacture without load bearing welds
- Hot epoxy coating
- Safety factor: 3 (EN 13155.2003 norm)

Model	WLL	Jaw Opening (mm)	Weight (kg)	Product Code	Price
GP1 60-180	1,000	60-180	3.6	50158	€386.00
GP2 60-200	2,000	60-200	5.6	50168	€446.00
GP3 60-300	3,000	60-300	8.4	50178	€527.00
GP5 100-390	5,000	100-390	10.8	50188	€743.00
GP10 100-390	10,000	100-390	20.5	50198	€1,398.00



KP Lifting Clamp For Beam Profiles

Lifting clamp for lifting I or H beams or plates in a horizontal position.

Depending on the weight of the load, the clamp will only leave a mark on one side.

Automatic locking with a safety spring.

- Automatically grabs the load
- Hardness 330 HB
- Hot epoxy coating

Model	WLL	Jaw Opening (mm)	Weight (kg)	Product Code	Price
KP1 0-20	1,500	0-20	4	50218	€1,114.00
KP2 0-30	3,000	0-30	10	50228	€1,506.00



Topal PL - Lifting Clamp For Beam Profiles

- Semi-automatic girder clamps
- Lifting of I or H-profiled girders
- Manufacture without load bearing welds
- Hot epoxy coating
- Safety factor: 3 (EN 13155.2003 norm)
- Unique safety device preventing the clamp to be fully closed

Model	WLL	Jaw Opening (mm)	Weight (kg)	Product Code	Price
PL1 95-200	1,000	95-200	4	185328	€351.00
PL2 120-300	2,000	120-300	8	185338	€550.00
PL3 180-450	3,000	180-450	16	185348	€1,028.00
PL4 120-300	4,000	120-300	14	185358	€1,024.00



Order products on day 1, will be shipped no later than day 2



Order products on day 1, will be shipped no later than day 3. Maximum quantities apply for this service.



Available on request. Please enquire about delivery times of these items.

Clamps for pipe and beam profiles

PR lifting clamp for rail profile

- Semi-automatic rail clamps
- Lifting of vignola profile rails
- Without load-bearing welds
- Hot epoxy coating
- Safety factor: 3 (EN 13155.2003 standard)

Model	WLL (kg)	Jaw-opening (mm)	Weight (kg)	Product code	Price
PR1 20-40	1,000	20-40	4	185308	€348.00
PR2 40-80	2,000	40-80	9	185318	€550.00
PR2A 40-80	2,000	40-80	9	185428	€1,239.00



RT - Lifting Clamp For Round Materials and Pipe Sections

- Clamps come in both semi-automatic and fully automatic versions
- Lifting of round or square bars, tubes and small profiles, singly or in tied bundles
- (Semi) automatic clamps for round materials
- Without load-bearing welds
- Hot epoxy coating
- Safety factor: 3 (EN 13155.2003)

Model	WLL (kg)	Jaw-opening (mm)	Weight (kg)	Product code	Price
RT05 50-100	500	50-100	4	185368	€420.00
RT1 100-200	1,000	100-200	9	185378	€513.00
RT2 200-350	2,000	200-350	28	185388	€1,147.00
RT3 250-450	3,000	250-450	40	185398	€1,832.00
RTA1 100-200	1,000	100-200	9	189808	€1,213.00
RTA2 200-350	2,000	200-350	28	189818	€1,714.00
RTA3 250-450	3,000	250-450	40	189828	€2,584.00
RT05 50-100-TC	500	50-100	4	189338	€1,396.00
RT1 100-200-TC	1,000	100-200	9	189348	€1,476.00
RT2 200-350-TC	2,000	200-350	28	189358	€2,414.00
RT3 250-450-TC	3,000	250-450	40	189368	€3,506.00
RTA1 100-200-TC	1,000	100-200	9	189848	€2,237.00
RTA2 200-350-TC	2,000	200-350	28	189858	€2,742.00
RTA3 250-450-TC	3,000	250-450	40	189868	€4,086.00
RT05 50-100-CR	500	50-100	4	189378	€1,654.00
RT1 100-200-CR	1,000	100-200	9	189388	€1,879.00
RTA1 100-200-CR	1,000	100-200	9	189888	€2,395.00
RT2 200-350-CR	2,000	200-350	28	189398	€2,935.00
RTA2 200-350-CR	2,000	200-350	28	189898	€3,141.00
RT3 250-450-CR	3,000	250-450	40	189408	€4,050.00
RTA3 250-450-CR	3,000	250-450	40	189908	€4,630.00

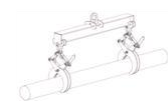


RT = Automatic release

RTA = Automatic clamping and release

TC = Curved pads

CR = Curved pads with 2 mm chloroprene coating



2 RT klemmen met hijsbalk



RT



Automatische RT

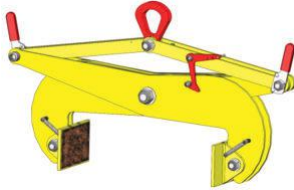


RT met brede pads

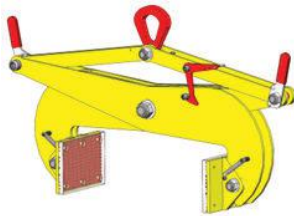


RT met brede pads, chloropreen coating

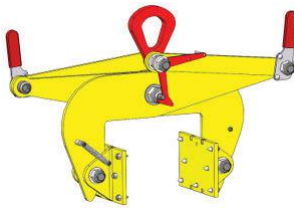
Parallel sides load clamp



met korrelige plaat



Met polyurethaan plaat



Met stalen punten

A = automatic one

PO = spiked

APO = automatic spiked

MG = grained

AMG = automatic grained

PU = Polyurethane coating pads

APU = Automatic one with polyurethane coating pads

PB - Block Clamp

- Semi-automatic clamps for loads with parallel sides
- Lifting without marking of products
- Manufacture without load bearing welds
- Hot epoxy coating
- Safety factor: 3 (EN 13155.2003 norm)

PB - PVC plate (standard)

Model	WLL (kg)	Jaw-opening (mm)	Weight (kg)	Product code	Price
PB05 0-100	500	0-100	10	50458	€730.00
PB05 100-250	500	100-250	12	50468	€822.00
PB05 200-500	500	200-500	20	50478	€1,027.00
PB1 0-200	1,000	0-200	25	50488	€1,620.00
PB1 0-200 / A	1,000	0-200	23	189488	€2,014.00
PB1 200-500	1,000	200-500	47	50498	€2,176.00
PB1 200-500 / A	1,000	200-500	48	189498	€2,459.00
PB1 500-800	1,000	500-800	71	50508	€3,491.00
PB1 500-800 / A	1,000	500-800	71	189508	€3,645.00
PB1 700-1000	1,000	700-1000	78	50518	€3,622.00
PB1 700-1000 / A	1,000	700-1000	95	189518	€3,870.00

PB - grained pads (MG)

- For medium hard and soft materials such as wood, plastic, rubber, foam and cardboard.
- Light marking (scratching) on the load

Model	WLL	Jaw Opening (mm)	Weight (kg)	Product Code	Price
PB05 0-100 MG	500	0-100	10 kg	189668	€1,651.00
PB05 100-250 MG	500	100-250	12	189678	€1,759.00
PB05 200-500 MG	500	200-500	19	189688	€2,014.00
PB1 0-200 MG	1,000	0-200	25	189698	€2,860.00
PB1 0-200 AMG	1,000	0-200	25	192098	€3,060.00
PB1 200-500 MG	1,000	200-500	48	189708	€3,251.00
PB1 200-500 AMG	1,000	200-500	48	192108	€3,520.00
PB1 500-800 MG	1,000	500-800	75	189718	€4,900.00
PB1 500-800 AMG	1,000	500-800	75	192118	€5,338.00
PB1 700-1000 MG	1,000	700-1000	99	189728	€5,191.00
PB1 700-1000 AMG	1,000	700-1000	99	192128	€5,629.00

Parallel sides load clamp

PB - steel points (PO)

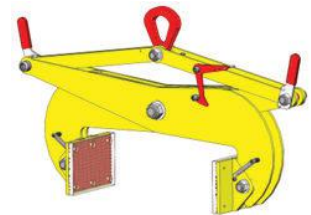
- For medium hard and soft materials such as wood, plastic, rubber, foam and cardboard.
- Marking on the load

Model	WLL	Jaw Opening (mm)	Weight (kg)	Product Code	Price
PB1 0-200 APO	1,000	0-200	23	192028	€2,726.00
PB1 200-500 PO	1,000	200-500	46	189638	€2,697.00
PB1 200-500 APO	1,000	200-500	46	192038	€2,940.00
PB1 500-800 PO	1,000	500-800	71	189648	€3,826.00
PB1 500-800 APO	1,000	500-800	71	192048	€4,262.00
PB1 700-1000 PO	1,000	700-1000	95	189658	€4,117.00
PB1 700-1000 APO	1,000	700-1000	95	192058	€4,554.00

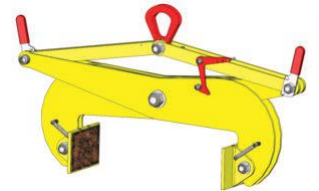
PB - Polyurethane coated sheets (PU)

- For hard products such as stone, concrete and metal.
- Very suitable for abrasive products.

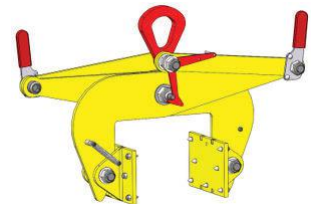
Model	WLL	Jaw Opening (mm)	Weight (kg)	Product Code	Price
PB05 0-100 / PU	500	0-100	9	189528	€1,073.00
PB05 100-250 / PU	500	100-250	18	189538	€1,201.00
PB05 200-500 / PU	500	200-500	18	189548	€1,391.00
PB1 0-200 / PU	1,000	0-200	23	189558	€1,934.00
PB1 200-500 / PU	1,000	200-500	46	189568	€2,670.00
PB1 500-800 / PU	1,000	500-800	71	189578	€3,516.00
PB1 700-1000 / PU	1,000	700-1000	95	189588	€3,741.00
PB3 200-500 / PU	3,000	200-500	131	88368	€6,020.00
PB3 200-500 / APU	3,000	200-500	130	192528	€7,401.00
PB3 500-800 / PU	3,000	500-800	181	88378	€6,984.00
PB3 500-800 / APU	3,000	500-800	177	192538	€8,192.00



with PU pads



with grained pads



with spiked pads

- A = automatic one
- PO = spiked
- APO = automatic spiked
- MG = grained
- AMG = automatic grained
- PU = polyurethane coating pads
- APU = Automatic one with polyurethane coating pads

PP - Block Clamp

- Adjustable lifting clamp for lifting loads of steel, concrete, wood, plastic, etc., with parallel side.
- Clamping jaw, width 200 mm, rubberised as standard for optimum grip, non-marking.

Model	WLL	Jaw Opening (mm)	Weight (kg)	Product Code	Price
PP1 200-1000	1,000	200-1 000	41	50608	€2,427.00
PP1-200-1000 PU	1,000	200-1 000	42	189738	€2,687.00
PP1-200-1000 PO	1,000	200-1 000	41	189748	€3,005.00
PP1-200-1000 MG	1,000	200-1 000	43	189758	€3,523.00



Load positioning



TC Load Positioning Lifting Eye

- Load positioning
- For single wire rope
- Automatic locking
- Large lifting eye
- Easy to use

Model	WLL 45° (kg)	WLL 90° (kg)	WLL 120° (kg)	Wire rope ø (mm)	Weight (kg)	Product code	Price
TC2 11	2 000	1 400	7 000	11	3	50828	€347.00
TC3 13	3 000	2 100	1 500	13	5	50838	€406.00
TC5 18	5 000	3 500	2 500	18	10	50848	€719.00



TE Load Positioning Lifting Eye

- Load positioning
- For lifting chain
- Automatic locking
- Large lifting eye
- Easy to use

Model	WLL (kg)	Wire rope ø (mm)	Weight (kg)	Product code	Price
TE1.6-7	1,600	7	4	50858	€1,438.00
TE3-10	3,000	10	11	50868	€2,045.00
TE4.5-13	4,500	13	19	50878	€3,310.00



TF Load Positioning Lifting Eye

- Load positioning
- For double wire rope
- Automatic locking
- Large lifting eye
- Easy to use

Model	WLL (kg)	Wire rope ø (mm)	Weight (kg)	Product code	Price
TF1.5-9	1 500	9	4	50888	€1,453.00
TF3-13.2	3 000	13	8.5	50898	€1,819.00
TF5-16.8	5 000	17	21.5	50908	€3,096.00
TF10-24	10 000	24	37.5	50918	€4,699.00
TF20-32	20 000	32	76.5	50928	€7,270.00



Order products on day 1, will be shipped no later than day 2



Order products on day 1, will be shipped no later than day 3. Maximum quantities apply for this service.



Available on request. Please enquire about delivery times of these items.

Various lifting equipment

AH - Autohook Lifting Hook

- For lifting loads that are inaccessible or difficult for the operator to reach (temperature, height, extreme conditions, etc.)
- Automatic safety hook
- Without load-bearing welds
- Automatic opening and closing without operator action
- Hot epoxy coating
- Static test coefficient: 2

Model	WLL	Jaw Opening (mm)	Weight (kg)	Product Code	Price
AH2-32	2,000	0-38	6	185278	€675.00
AH5-40	5,000	0-47.5	16	185288	€1,254.00
AH10-40	10,000	0-55	30	185298	€1,793.00



open positie



gesloten positie

CC - Container Lug

- Container lugs
- Lifting of containers by their standard ISO corners
- CCB: lifting with a single lifting beam and two 2-legged slings.
- CCV: lifting with a spreader frame and 4 slings.
- Manufacture without load bearing welds
- Hot epoxy coating
- Safety factor: 3 (EN 13155.2003 norm)

Model	WLL	Weight (kg)	Product Code	Price
CC7.5 V	7,500	4	50038	€348.00
CC12.5 V	12,500	5	50048	€357.00
CC7.5 B	7,500	4	50058	€258.00
CC12.5 B	12,500	5	50068	€392.00



CR - C-Shaped Lifting Hook For Coils

- C-hooks for lifting and turning coils
- turning or lifting over from the horizontal to the vertical position & vice versa.
- Manufacture without load bearing welds
- Hot epoxy coating
- Safety factor: 3 (EN 13155.2003 norm)

Model	WLL	Coil Width	Weight (kg)	Product Code	Price
CR05 50-120	500	50-120	5.5	50078	€683.00
CR1 70-140	1,000	70-140	9	50088	€833.00
CR2 100-200	2,000	100-200	16	50098	€1,349.00
CR2 160-330	2,000	160-330	31	50108	€1,398.00



open positie



gesloten positie

Various lifting equipment



PC Fork-Lift Truck Lifting Beam

- Lifting eye for fork-lift truck
- Quick and easy to install
- Unique design
- Safe to use
- Hot applied epoxy coating

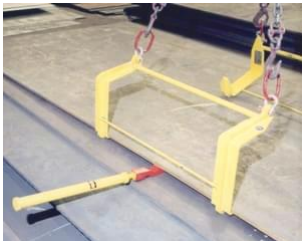
Model	WLL	Fork Width	Weight (kg)	Product Code	Price
PC1.5 120	1,500	120	15	50528	€477.00
PC3 170	3,000	170	23	50538	€803.00



T0 - Lifting Hook For Cable Reels

- Universal cable drum hooks
- Cable drum lifting.
- Manufacture without load bearing welds
- Hot epoxy coating
- Safety factor: 3 (EN 13155.2003 norm)

Model	WLL (kg) per hook	Lifting eye (mm)	Weight (kg)	Product code	Price
To13	6,500	27	3	51198	€210.00



LT - Bar For Separating Plates

- Lever for separating plates
- Manufacture without load bearing welds
- Hot epoxy coating
- Safety factor: 3 (EN 13155.2003 norm)

Model	Length (mm)	Weight (kg)	Product Code	Price
LT1-830	830-1.290	7	50278	€1,092.00

Lifting beams

PEM Lifting Beam with Adjustable Lifting Eyes

Range of lifting beams with fixed or adjustable load-centre distance fitted with 2 lower attachment components.

Each lower attachment point allows a shackle to be attached to which lifting accessories can be fitted.



Model	WLL (kg)	Length (cm)	Product Code	Price
PEM1-1000	1,000	1000	82308	€663.00
PEM1-2000	1,000	2000	82318	€971.00
PEM1-3000	1,000	3000	82328	€1,247.00
PEM1-4000	1,000	4000	82338	€1,445.00
PEM1-5000	1,000	5000	82348	€2,149.00
PEM2-1000	2,000	1000	82358	€870.00
PEM2-2000	2,000	2000	82368	€1,069.00
PEM2-3000	2,000	3000	82378	€1,373.00
PEM2-4000	2,000	4000	82388	€1,918.00
PEM2-5000	2,000	5000	82398	€2,562.00
PEM3-1000	3,000	1000	82408	€999.00
PEM3-2000	3,000	2000	82418	€1,210.00
PEM3-3000	3,000	3000	82428	€1,829.00
PEM3-4000	3,000	4000	82438	€2,333.00
PEM3-5000	3,000	5000	82448	€2,786.00
PEM4-1000	4,000	1000	82458	€1,170.00
PEM4-2000	4,000	2000	82468	€1,723.00
PEM4-3000	4,000	3000	82478	€2,287.00
PEM4-4000	4,000	4000	82488	€2,998.00
PEM4-5000	4,000	5000	82498	€3,146.00
PEM5-1000	5,000	1000	82508	€1,501.00
PEM5-2000	5,000	2000	82518	€2,042.00
PEM5-3000	5,000	3000	82528	€2,359.00
PEM5-4000	5,000	4000	82538	€2,916.00
PEM5-5000	5,000	5000	82548	€3,720.00
PEM6-1000	6,000	1000	82558	€1,338.00
PEM6-2000	6,000	2000	82568	€2,286.00
PEM6-3000	6,000	3000	82578	€2,771.00
PEM6-4000	6,000	4000	82588	€3,491.00
PEM6-5000	6,000	5000	82598	€4,192.00

PAL-Beam Lifting Beam

Range of lifting beams with fixed or adjustable load-centre fitted with 2 exclusive lower pivots allowing additional lifting applications with profile and/ or lower pivots' inclined:

A- Lifting with symmetrical or asymmetrical lower pivots, pulling sideways outside or inside (max angle 15°).

B- Lifting with profile inclined at 6° out of the horizontal line:

- vertical traction with symmetrical lower pivots
- sideways traction with asymmetrical lower pivots



PBM PAL-BEAM Lifting Beam with Adjustable Lifting Eyes

Model	WLL (kg)	Length (cm)	Weight (kg)	Product Code	Price
PBMA1-A	1,000	1000	33	51838	€1,315.00
PBMA1-D	1,000	2000	52	51868	€1,615.00
PBMA1-G	1,000	3000	72	51898	€1,826.00
PBMB1-J	1,000	4000	141	51928	€2,372.00
PBMA2-A	2,000	1000	33	51938	€1,557.00
PBMB2-D	2,000	2000	80	51968	€2,069.00
PBMB2-G	2,000	3000	110	51998	€2,320.00
PBMC2-J	2,000	4000	167	52028	€2,803.00
PBMB3-A	3,000	1000	50	3799	€253.00
PBMB3-D	3,000	2000	80	52068	€2,391.00
PBMC3-G	3,000	3000	131	52098	€2,701.00
PBMD3-J	3,000	4000	202	52128	€3,083.00
PBMC4-A	4,000	1000	60	52138	€1,907.00
PBMC4-D	4,000	2000	80	52168	€2,271.00
PBMD4-G	4,000	3000	160	52198	€3,465.00
PBME4-J	4,000	4000	283	52228	€3,702.00
PBMD5-A	5,000	1000	75	52238	€2,341.00
PBMD5-D	5,000	2000	117	52268	€3,115.00
PBME5-G	5,000	3000	223	52298	€3,828.00
PBME5-J	5,000	4000	283	52328	€5,082.00

Lifting beams

XBAG Cross Lifting Beam For Big-Bags

- Lifting beam for big-bag
- Manufactured without load bearing welds
- Hot epoxy coating
- Safety factor: 3 (EN 13155.2003 norm)

Model	WLL	Load Width	Weight (kg)	Product Code	Price
XBag 1.5	1,500	880 - 990	27	54628	€1,085.00
XBag 2.5	2,500	880 - 990	34	54638	€1,424.00
XBag 3.5	3,500	880 - 990	40	54648	€1,614.00



Order products on day 1, will be shipped no later than day 2,

Order products on day 1, will be shipped no later than day 6. Maximum quantities apply for this service.

Available on request. Please enquire about delivery times of these items.

Pal-Turn

The Pal-Turn has been specially developed to create a solution for the controlled turning and lifting of heavy and bulky loads. The tilt straps are rotated by 2 circulation tilt discs which are electrically driven. Suitable for applications in steel and machinery factories, civil engineering, shipyards, manufacturing industry and foundries. The use of Pal-Turn™ does not require an anchorage point on the returned load - the load is usually held in the straps. Each device allows the turning of several types of loads as long as its capacity allows it and the straps available are of an appropriate length.

- Tilting loads
- Shockproof
- Tilt disc circulation fixed or adjustable
- Available in single tilt strap version (mono)
- Electric operation
- Capacity from 0.5 ton to 100 tons

Important:

The load must keep its shape at all times during the roll-over movement.

Customized advice

Each load has unique dimensions (lxwxh), a specific weight and position of the centre of gravity. The Pal-Turn™ is produced on the basis of these characteristics and customer requirements.

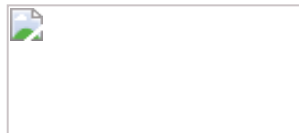
Options:

- Chain pulleys for high temperature loads (> 80°C)
- Stand-alone model (battery operated)
- Radio control with or without infra-red validation
- Two-speed motorisation
- Frequency inverter
- Additional lifting points, retractable lower hook
- Chains or straps - open or open-ended - adjusted to the load, polyurethane protection coated on 1 or 2 sides, impregnated
- Protection class IP55 or higher
- Design according to other FEM class

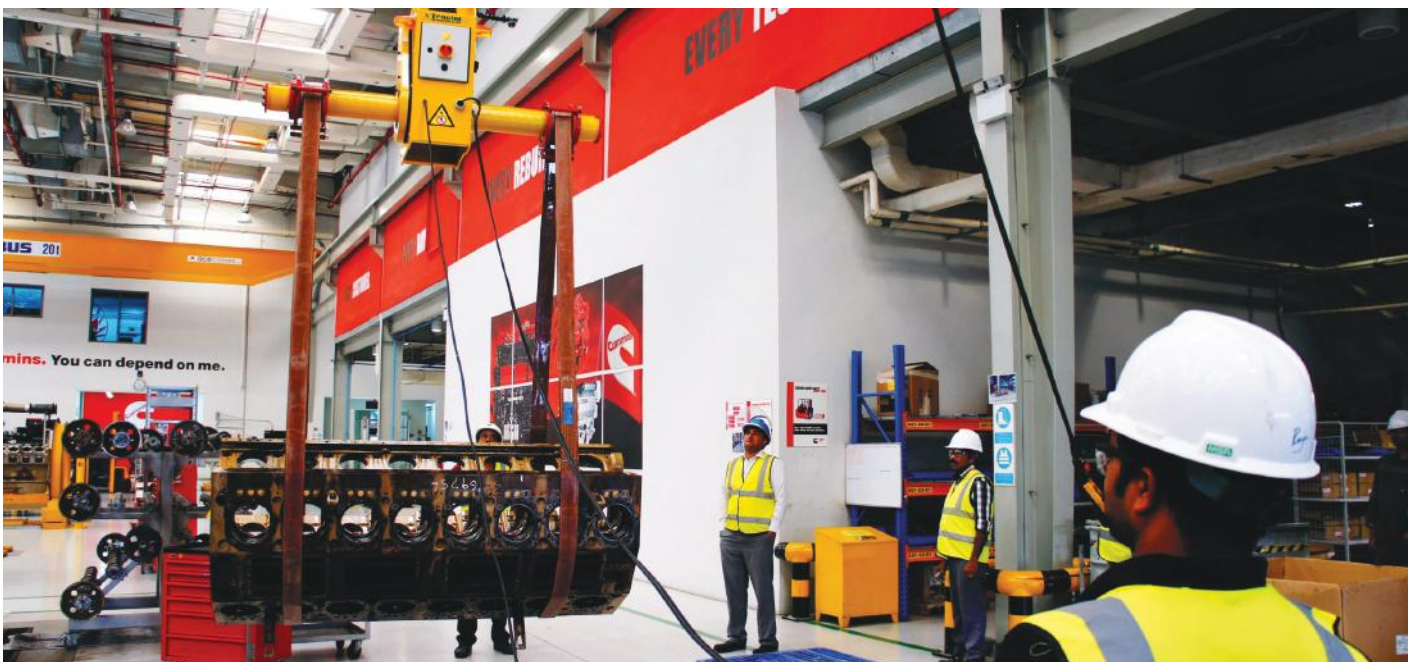


Standard configuration:

- Cable remote control, single-speed motorisation
- Protection class IP54
- Design according to FEM A5, lifting speed 30 m/min.
- 500kg in 400V or 230V



Model		Product Code	Price
PAL-TURN 500 kg - 400 V	N	211968	€8,750.00
PAL-TURN 500 kg - 230 V	N	211978	€8,983.00



Adjustable H beam

PHM Adjustable H-Beams can be used whenever you have to move heavy & massive loads like machines, boats, vehicles, structures etc.

They are equipped with 4 lower attachments and are adjustable in all directions.

You can therefore adapt to the load dimensions and positions of the center of gravity, and use it for various loads.

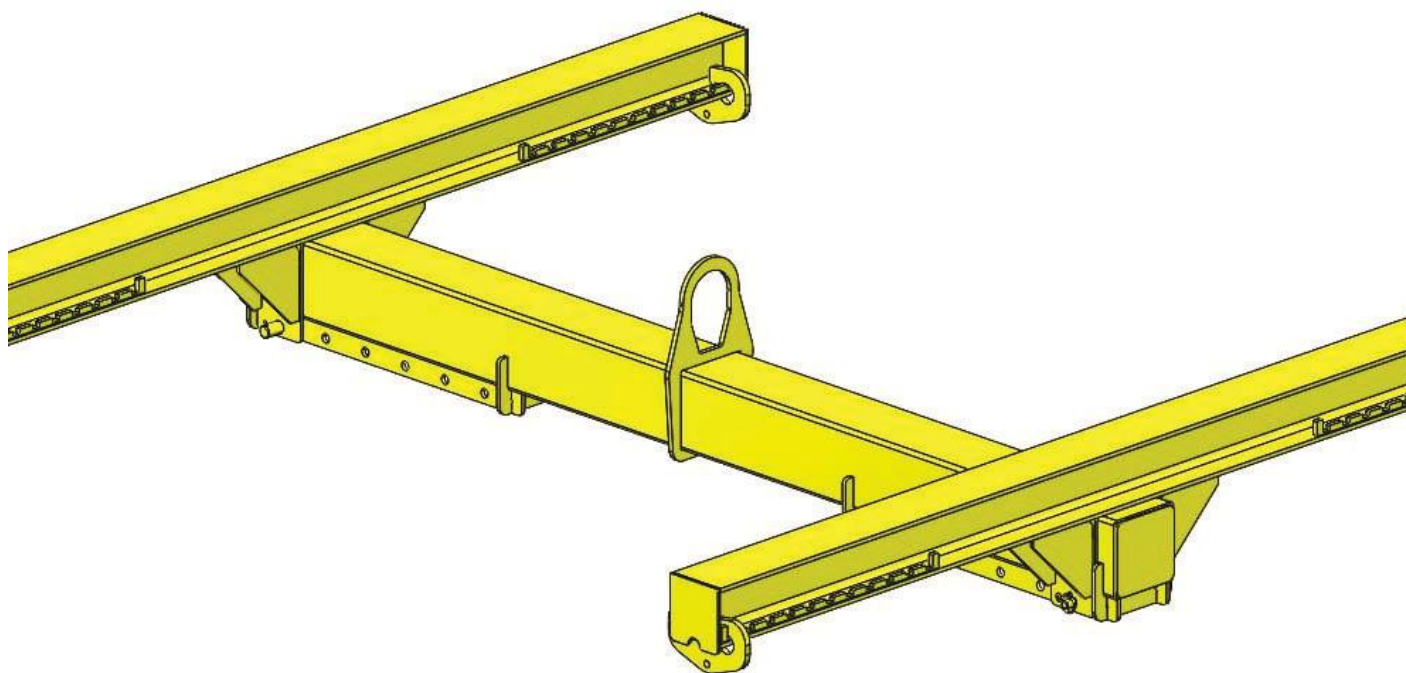


1 ton

Model	Adjustable Length (m)	Adjustable Width (m)	Weight (kg)	Product Code	Price
PHM 1t - L1 - W1	1 - 0.4	1 - 0.4	75	219728	€2,604.00
PHM 1t - L2 - W1	2 - 1	1 - 0.4	92	219738	€2,995.00
PHM 1t - L2 - W2	2 - 1	2 - 1	128	219748	€3,340.00
PHM 1t - L3 - W1	3 - 1	1 - 0.4	121	219758	€3,292.00
PHM 1t - L3 - W2	3 - 1	2 - 1	178	219768	€3,807.00
PHM 1t - L4 - W1	4 - 2	1 - 0.4	165	219778	€3,932.00
PHM 1t - L4 - W2	4 - 2	2 - 1	204	219788	€4,280.00
PHM 1t - L5 - W1	5 - 2	1 - 0.4	216	219798	€4,364.00
PHM 1t - L5 - W2	5 - 2	2 - 1	254	219808	€4,708.00

2 tons

Model	Adjustable Length (m)	Adjustable Width (m)	Weight (kg)	Product Code	Price
PHM 2t - L1 - W1	1 - 0.4	1 - 0.4	79	219818	€2,609.00
PHM 2t - L2 - W1	2 - 1	1 - 0.4	118	219828	€3,197.00
PHM 2t - L2 - W2	2 - 1	2 - 1	170	219838	€3,749.00
PHM 2t - L3 - W1	3 - 1	1 - 0.4	158	219848	€3,617.00
PHM 2t - L3 - W2	3 - 1	2 - 1	219	219858	€4,170.00
PHM 2t - L4 - W1	4 - 2	1 - 0.4	211	219868	€4,102.00
PHM 2t - L4 - W2	4 - 2	2 - 1	270	219878	€4,656.00
PHM 2t - L5 - W1	5 - 2	1 - 0.4	270	219888	€4,898.00
PHM 2t - L5 - W2	5 - 2	2 - 1	355	219898	€5,452.00



Adjustable H beam

3 tons

Model	Adjustable Length (m)	Adjustable Width (m)	Weight (kg)	Product Code	Price
PHM 3t - L1 - W1	1 - 0.4	1 - 0.4	89	219908	€2,713.00
PHM 3t - L2 - W1	2 - 1	1 - 0.4	134	219918	€3,358.00
PHM 3t - L2 - W2	2 - 1	2 - 1	248	219928	€4,306.00
PHM 3t - L3 - W1	3 - 1	1 - 0.4	194	219938	€3,975.00
PHM 3t - L3 - W2	3 - 1	2 - 1	313	219948	€4,925.00
PHM 3t - L4 - W1	4 - 2	1 - 0.4	280	219958	€4,828.00
PHM 3t - L4 - W2	4 - 2	2 - 1	409	219968	€5,783.00
PHM 3t - L5 - W1	5 - 2	1 - 0.4	332	219978	€5,271.00
PHM 3t - L5 - W2	5 - 2	2 - 1	461	219988	€6,224.00

4 tons

Model	Adjustable Length (m)	Adjustable Width (m)	Weight (kg)	Product Code	Price
PHM 4t - L1 - W1	1 - 0.4	1 - 0.4	109	219998	€2,969.00
PHM 4t - L2 - W1	2 - 1	1 - 0.4	148	220008	€3,410.00
PHM 4t - L2 - W2	2 - 1	2 - 1	262	220018	€4,366.00
PHM 4t - L3 - W1	3 - 1	1 - 0.4	244	220028	€4,376.00
PHM 4t - L3 - W2	3 - 1	2 - 1	364	220038	€5,208.00
PHM 4t - L4 - W1	4 - 2	1 - 0.4	284	220048	€4,885.00
PHM 4t - L4 - W2	4 - 2	2 - 1	413	220058	€5,848.00
PHM 4t - L5 - W1	5 - 2	1 - 0.4	400	220068	€5,919.00
PHM 4t - L5 - W2	5 - 2	2 - 1	526	220078	€6,776.00

5 tons

Model	Adjustable Length (m)	Adjustable Width (m)	Weight (kg)	Product Code	Price
PHM 5t - L1 - W1	1 - 0.4	1 - 0.4	117	220088	€3,040.00
PHM 5t - L2 - W1	2 - 1	1 - 0.4	175	220098	€3,830.00
PHM 5t - L2 - W2	2 - 1	2 - 1	285	220108	€4,715.00
PHM 5t - L3 - W1	3 - 1	1 - 0.4	252	220118	€4,450.00
PHM 5t - L3 - W2	3 - 1	2 - 1	372	220128	€5,337.00
PHM 5t - L4 - W1	4 - 2	1 - 0.4	348	220138	€5,480.00
PHM 5t - L4 - W2	4 - 2	2 - 1	473	220148	€6,391.00
PHM 5t - L5 - W1	5 - 2	1 - 0.4	408	220158	€6,027.00
PHM 5t - L5 - W2	5 - 2	2 - 1	534	220168	€6,957.00

6 tons

Model	Adjustable Length (m)	Adjustable Width (m)	Weight (kg)	Product Code	Price
PHM 6t - L1 - W1	1 - 0.4	1 - 0.4	161	220178	€3,394.00
PHM 6t - L2 - W1	2 - 1	1 - 0.4	185	220188	€3,855.00
PHM 6t - L2 - W2	2 - 1	2 - 1	355	220198	€5,088.00
PHM 6t - L3 - W1	3 - 1	1 - 0.4	288	220208	€5,063.00
PHM 6t - L3 - W2	3 - 1	2 - 1	409	220218	€5,810.00
PHM 6t - L4 - W1	4 - 2	1 - 0.4	352	220228	€5,551.00
PHM 6t - L4 - W2	4 - 2	2 - 1	506	220238	€6,603.00
PHM 6t - L5 - W1	5 - 2	1 - 0.4	539	220248	€6,810.00
PHM 6t - L5 - W2	5 - 2	2 - 1	660	220258	€7,559.00

Adjustable H beam

8 tons

Model	Adjustable Length (m)	Adjustable Width (m)	Weight (kg)	Product Code	Price
PHM 8t - L1 - W1	1 - 0.4	1 - 0.4	185	220268	€3,557.00
PHM 8t - L2 - W1	2 - 1	1 - 0.4	262	220278	€4,514.00
PHM 8t - L2 - W2	2 - 1	2 - 1	380	220288	€5,274.00
PHM 8t - L3 - W1	3 - 1	1 - 0.4	349	220298	€5,328.00
PHM 8t - L3 - W2	3 - 1	2 - 1	499	220308	€6,538.00
PHM 8t - L4 - W1	4 - 2	1 - 0.4	483	220318	€6,400.00
PHM 8t - L4 - W2	4 - 2	2 - 1	607	220328	€7,172.00
PHM 8t - L5 - W1	5 - 2	1 - 0.4	654	220338	€7,556.00
PHM 8t - L5 - W2	5 - 2	2 - 1	805	220348	€8,780.00

10 tons

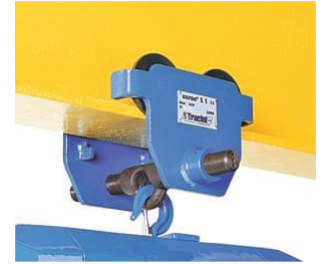
Model	Adjustable Length (m)	Adjustable Width (m)	Weight (kg)	Product Code	Price
PHM 10t - L1 - W1	1 - 0.4	1 - 0.4	207	220358	€3,867.00
PHM 10t - L2 - W1	2 - 1	1 - 0.4	303	220368	€5,027.00
PHM 10t - L2 - W2	2 - 1	2 - 1	467	220378	€6,120.00
PHM 10t - L3 - W1	3 - 1	1 - 0.4	419	220388	€5,812.00
PHM 10t - L3 - W2	3 - 1	2 - 1	629	220398	€7,222.00
PHM 10t - L4 - W1	4 - 2	1 - 0.4	569	220408	€7,039.00
PHM 10t - L4 - W2	4 - 2	2 - 1	734	220418	€8,145.00
PHM 10t - L5 - W1	5 - 2	1 - 0.4	758	220428	€8,258.00
PHM 10t - L5 - W2	5 - 2	2 - 1	924	220438	€9,370.00

Beam trolleys for material handling

Corso push beam trolleys

The Corso push and manually operated geared trolleys can be quickly and easily assembled onto a steel beam, with both a straight and sloping flange, creating a reliable and moveable anchor point for lifting equipment such as Tirfor, Bravo, Tralift, Minifor, Volt trac and Tralift TT.

It is possible to manually adjust the opening, so the trolley can be easily positioned and adjusted to the most frequently used profiles.



Model	WLL	Flange Width (mm)	Min.Radius (mm)	Weight (kg)	Product Code	Price
C250	250	45 - 152	650	3.5	69289	€91.50
C500	500	50 - 220	900	8.5	23309	€224.00
C1000	1,000	58 - 220	1 000	10.5	23319	€264.00
C2000	2,000	66 - 220	1 200	18	23329	€409.00
C3000	3,000	74 - 220	1 300	32	23379	€615.00
C5000	5,000	90 - 220	1 400	48.5	23389	€1,076.00
C10000	10,000	142 - 320	2 500	105	56279	€1,464.00

Corso geared beam trolleys

- Push and geared trolleys with WLL from 250kg to 20t
- For beam widths from 45 - 320 mm depending on capacity
- Handle included for quick and easy adjustment of the hanger bar to suit the beam size
- Folded steel end stops which also act as anti-drop bars and anti-tilt devices welded onto side plates
- Hanger bar preventing from rotating by tightening a grub screw
- Steel wheels with ball bearings for smooth running
- In accordance with EU Machine Directive 2006/42/EC



Model	WLL	Flange Width (mm)	Weight (kg)	Product Code	Price
1000	1,000	58 - 220	19	23339	€367.00
2000	2,000	66 - 220	22.5	23349	€609.00
3000	3,000	74 - 220	37.5	23359	€636.00
5000	5,000	90 - 220	55	23369	€933.00
10000	10,000	142 - 320	115	56289	€1,560.00
20000	20,000	153 - 320	254	56299	€3,615.00

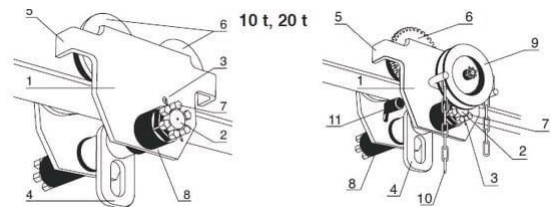
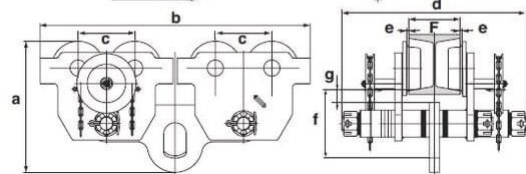
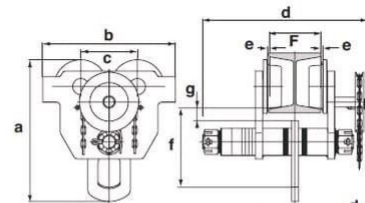
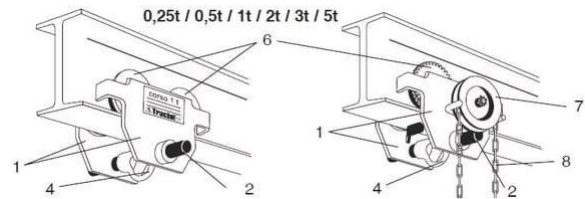
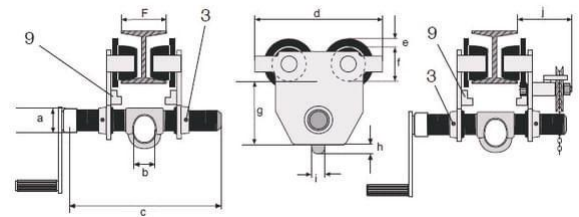
Accessories for Corso

0.25 t to 5 t

WLL	A	B	C	D	E	F	G	H
250	22	22	220	175	11	50	74	7
500	27	25	324	225	15	62	88	16
1,000	30	30	334	252	15	62	103	17
2,000	38	40	342	300	18	80	127	18
3,000	45	48	358	360	15	97	177	18
5,000	52	58	372	400	20	110	192	23

All dimensions in mm.

- | | |
|--|--|
| 1. Trolley side plates | antideraling devices |
| 2. Threaded bar | 6. Running wheels |
| 3. Securing screw for preventing the bar from moving | 7. Operating wheel |
| 4. Anchor point for hoist | 8. Operating chain |
| 5. End stops acting as | 9. Anti-tilt system welded onto side plate |



10 t to 20 t

Model	Description	A	B	C	D	E	F	G
C10000	Push trolley	500	470	200	550	2,5	280	45
10000	Geared trolley	500	470	200	583	2,5	280	45
20000	Geared trolley	500	955	200	654	2,5	270	45

All dimensions in mm.

- | | |
|---------------------------------------|--------------------|
| 1. Trolley side plates | 6. Running wheels |
| 2. Fixing bar | 7. Fixing nut |
| 3. Saftey pin | 8. Spacer washers |
| 4. Anchor point | 9. Operating wheel |
| 5. Safety bar and traversing end stop | 10. Hand chain |
| | 11. Anti-tilt bar |

Extension bar

Model	Flange Width (mm)	Description	Product Code	Price
0.5	160-320	to suit 0.5t push trolley 023309	14652	€156.00
1T	160-320	to suit 1t push trolley 023319 and 1t geared trolley 023339	14662	€192.00
2T	160-320	to suit 2t push trolley 023329 and 2t geared trolley 023349	14672	€272.00
3T	160-320	to suit 3t push trolley 023379 and 3t geared trolley 023359	14682	€393.00
5T	180-320	to suit 5t push trolley 023389 and 5t geared trolley 023369	14692	€535.00

Beam clamps for material handling

Corso beam clamps for material handling

The Corso beam clamp range can be quickly and easily assembled onto a steel beam, creating a reliable anchor point for lifting equipment such as Tirfor, Bravo, Tralift, Minifor and Tralift TT.

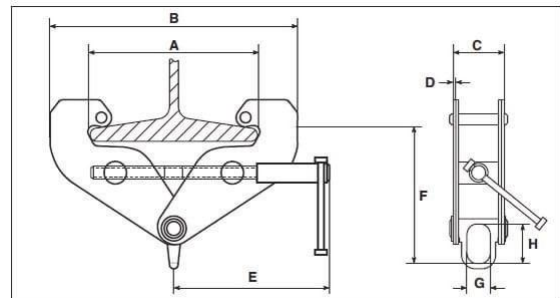
- WLL from 1t to 10t
- For beam widths from 75 - 320 mm depending on capacity
- Easy width adjustment to the size of the steel beam
- Generously sized body made of steel alloy
- High stability when fixed correctly
- Spindle bar is locked from rotating by tightening a grub screw



Model	WLL	Flange Width (mm)	Weight (kg)	Product Code	Price
LT-1B	1,000	75-230	4.8	7009	€189.00
LT-2B	2,000	75-230	5.6	7019	€235.00
LT-3B	2,500	80-330	11	7029	€288.00
LT-5B	3,000	80-330	12.3	7039	€340.00
LT-10B	7,000	80-320	21	7049	€580.00

Technical information

Model	A	B	C	D	E	F	G	H
LT-1B	220	180/380	76	4	210	120/175	30	45
LT-2B	220	180/380	84	6	210	130/180	30	45
LT-3B	320	235/490	115	8	275	175/250	45	60
LT-5B	320	253/490	138	10	245	140/220	45	60
LT-10B	310	255/480	160	12	275	250/300	60	90



Toe jacks

Hydrofor hydraulic toe jack

- WLL 5000kg to 25000kg
- Heavy duty operations from one of the lightest jacks on the market
- Vertical and horizontal functionality
- Full lifting capacity on head or toe
- Pressure limit device prevents overload for safe operation
- Screw release valve for easy and controlled lowering
- 360 degree swivel of the jack body for ease of positioning
- Handle rotates through 180 degrees



Model	WLL (t)	a	b	c	d	e	f	g	Max. effort handle (N)	Weight (kg)	Product code	Price
H5	5	368 - 573	745	140	213	Ø93	25	205	450	20	243269	€813.00
H10	10	420 - 650	745	170	205	Ø103	30	230	500	28	243279	€1,008.00
H25	25	505 - 720	1305	210	420	155 x 155	58	215	450	109	79909	€2,379.00

Top mechanical toe jacks

The Top mechanical toe jacks have a back and forth action on the handle to allow them to be operated in confined spaces.

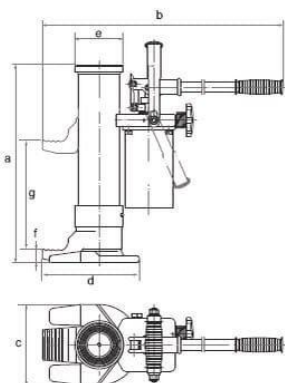
With 100% capacity on both head and toe the Top jacks are designed for ultimate usage and can be operated in either vertically or horizontally.

- WLL 1.500 kg to 10.000 kg
- Robust steel construction
- Vertical and horizontal operation
- Load capacity 100% on the head or toe
- Crank with folding handle
- Back and forth action on the handle

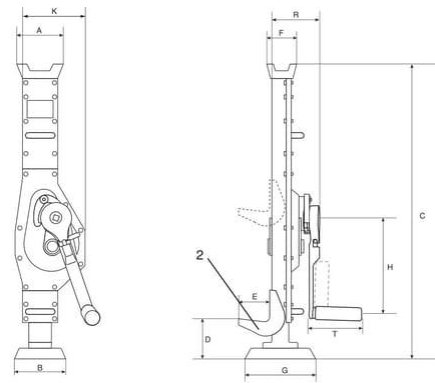


Model	WLL (t)	Lifting height (mm)	Max. handle effort (daN)	A	B	C	D	E	F	G	H	K	R	T	Weight (kg)	Product code	Price
BT 1,5	1.5	300	30	81	100	600	70	55	46	110	225	147	119	113	18	264889	€284.00
BT 3	3	355	35	83	130	735	70	60	45	138	249	168	129	130	20	264899	€368.00
BT 5	5	345	40	108	140	735	80	71	68	170	249	190	146	130	28	264909	€425.00
BT 10	10	390	58	124	140	800	100	86	76	170	300	250	168	239	46	264919	€656.00

Dimensions of the jacks



Technical drawing hydrofor



Technical drawing top jack

Pioneer hand pallet truck

The Pioneer hand pallet truck for transporting palletised goods around warehouse, shops or industrial sites.

- 2.000 kg to 3.000 kg
- Robust chassis and forks manufactured from steel
- High-performance hydraulic pump
- Controlled lowering of the load
- 3-position operation
- Polyurethane, Nylon or Rubber Steering wheels
- Polyurethane or Nylon load rollers

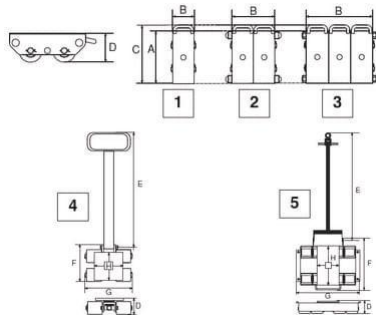


Model	WLL	Length (cm)	Height (cm)	Depth (cm)	Fork Width	Lifting Height (m)	Weight (kg)	Product Code	Price
Pioneer pallet truck - 2500	2,500	1500 (1150)	550 (150)	1180	250	84/200	87	251179	POA

Pakrol skates and trolley skates

Pakrol™ transport rollers are suitable for easy and smooth transport of heavy loads on the ground. This movement is performed manually by the user on a flat surface. Check that the surface is resistant to the total load. Concrete or tiled floors are particularly suitable for safely moving these loads.

- A modular system for steering and moving loads
- Steering trolley is equipped with turntables and transport lever
- Rollers can be joined together to increase capacity
- Nylon or PU rollers with ball bearings
- WLL 2,000 kg to 20,000 kg



Model	Description	Type	WLL (t)	A	B	C	D	E	F	G	H	Weight (kg)	Product code	Price
Skate 2t NY	2 wheel nylon skate	1	2	270	106	308	110	-	-	-	-	5	50149	€116.00
Skate 4t NY	4 wheel nylon skate	2	4	270	232	308	110	-	-	-	-	11	50159	€236.00
Skate 6t NY	6 wheel nylon skate	3	6	270	348	308	110	-	-	-	-	25	50169	€311.00
Skate 2t PU	2 wheel PU skates	1	2	270	106	308	110	-	-	-	-	5	55549	€118.00
Skate 4t PU	4 wheels PU skate	2	4	270	232	308	110	-	-	-	-	11	55559	€245.00
Skate 6t PU	6 wheel PU skates	3	6	270	348	308	110	-	-	-	-	25	55569	€337.00
Trolley skate 4t NY	4 wheel nylon trolley skate	4	4	-	-	-	110	940	230	297	145 x 180	14	50179	€254.00
Trolley skate 6t NY	8 wheel nylon trolley skate	5	8	-	-	-	110	1200	530	640	400 x 220	50	50189	€694.00
Trolley skate 4t PU	4 wheels PU trolley skate	4	4	-	-	-	110	940	230	297	145 x 180	14	55579	€217.00
Trolley skate 8t PU	8 wheel PU trolley skate	5	8	-	-	-	110	1200	530	640	400 x 220	50	50199	€796.00
Connection bar	-	-	-	-	-	-	-	-	-	-	-	-	74517	€124.00

Material-only load arrester

When a material-only load is being lifted or lowered, it may be important to add a secondary safety device to make sure that the load cannot fall in the event of an incident. For example when the load falling could endanger people in the vicinity. This is also the case when the load or the area underneath the load has a significant value and requires protection.

Our load arrester range consist of 3 different types that all work on the basis of the same principle. The load is connected to the load arrester by a wire rope. If the main lifting rope or device experiences a malfunction and the load starts to fall, the load arrested device will detect the increasing speed of the wire rope and will immediately stop the load from falling.

Blocstop

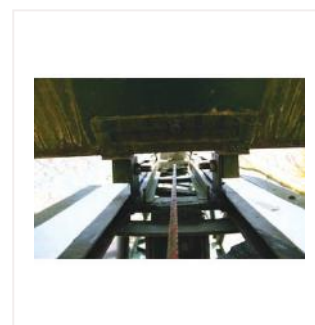
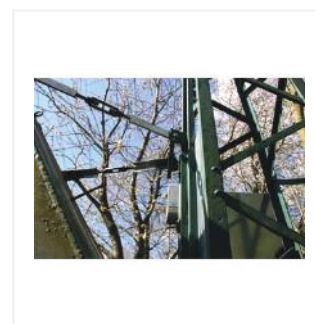
Our tried and tested Blocstop solution can work with an unlimited length of wire rope while the Blocstop is attached to a supporting structure.

Blocmat S and SI

The Blocmat S and SI offer wire rope storage with a maximum capacity up to 25m, which is automatically stored on an integrated reeler. The S or Si version is to be permanently installed on a ceiling or floor.

Blocmat TSD

The Blocmat TSD is a mobile load arrested that can be easily moved from location to location. All that is required for installing the Blocmat TSD is a fixing point or hook with 4x the capacity of the load arrester.



	Blocstop	Blocmat S and SI	Blocmat TSD
Load capacity	350-3000 kg	500-1000 kg	250 kg
Triggering speed	20,30,40,60 m/min	30 m/min	35 m/min
Daily check	✓	✓	✓
Unlimited wire rope	✓	-	-
Wire rope storage	-	✓	✓
Fastening interface needed	✓	✓	✓
Reset after actuation*	✓	✓	-
Integrated pretension of wire rope	-	✓	✓
Sheaving/reaving possibility	✓	-	-
Electrical connectivity to the lifting equipment	✓	-	-
Shock absorber (limits to 6.5 kN)	-	-	✓

Material-only load arrester

Blocstop BSO



The Blocstop BSO can be used in numerous areas like a load arrester for material transportation (i.e. opening and closing of a garage door, lifting of valuable material load, protection for a sensible ground surface underneath the load....)

BSO – Blocstop operating by overspeed detection :

If the movement of the safety rope exceeds a specified speed then the BSO triggers automatically and securely catches the load. The safety rope is held between the clamping jaws, preventing the rope from slipping any further. However, the surface of the clamping jaws is large enough to prevent damage to the rope. The Blocstop BSO is designed in such a way that the clamping jaws grip tighter, the higher the load on the rope.


Furthermore, the Blocstop BSO has been tested using many times the nominal load in order to ensure an extremely large safety margin.


We are constantly working to improve our products.


Features Blocstop BSO :

- Very robust and durable
- Small, light and compact
- Manual test function
- Capacity up to 3,000 kg
- Complies with the 2006/42/EC standard

Model	WLL (kg)	Activation speed (m/min)	Rope ø (mm)	Features	Weight (kg)	Product code	Price
BSO 510	350	30	6	-	4,3	291849	€1,428.00
BSO 510E	350	30	6	with limit switch and 2m cable fitted with plug for tirak™ connection	4,3	291859	€2,052.00
BSO 510E	350	30	6	with limit switch and 2m cable fitted with cable gland for tirak™ connection	4,3	296369	€1,659.00
BSO 1004	600	40	8	-	6,5	291889	€2,171.00
BSO 1004E	600	40	8	with limit switch and 2m cable fitted with plug for tirak™ connection	6,5	291899	€2,186.00
BSO 1004E	600	40	8	with limit switch and 2m cable fitted with cable gland for tirak™ connection	6,5	296429	€2,212.00
BSO 1026	600	60	9	-	6,5	291969	€2,255.00
BSO 1026E	600	60	9	with limit switch and 2m cable fitted with plug for tirak™ connection	6,5	291979	€2,197.00
BSO 1026E	600	60	9	with limit switch and 2m cable fitted with cable gland for tirak™ connection	6,5	296469	€2,224.00
BSO 1024	800	40	9	-	6,5	291909	€2,169.00
BSO 1024E	800	40	9	with limit switch and 2m cable fitted with plug for tirak™ connection	6,5	291919	€2,529.00
BSO 1024E	800	40	9	with limit switch and 2m cable fitted with cable gland for tirak™ connection	6,5	296439	€2,220.00
BSO 1022	1,000	20	9	-	6,5	291729	€2,427.00
BSO 1022E	1,000	20	9	with limit switch and 2m cable fitted with plug for tirak™ connection	6,5	291739	€2,137.00
BSO 1022E	1,000	20	9	with limit switch and 2m cable fitted with plug for tirak™ connection	6,5	296399	€2,234.00

 Order products on day 1, will be shipped no later than day 2

 Order products on day 1, will be shipped no later than day 3. Maximum quantities apply for this service.

 Available on request. Please enquire about delivery times of these items.

Blocstop BSO load arrester

Model	WLL (kg)	Activation speed (m/min)	Rope ø (mm)	Features	Weight (kg)	Product code	Price
BSO 1022EFA	1,000	20	9	with remote triggering of the BSO	6,5	291749	€4,855.00
BSO 1020	1,000	30	9	-	6,5	291869	€1,955.00
BSO 1020E	1,000	30	9	with limit switch and 2m cable fitted with cable gland for tirak™ connection	6,5	296419	€2,219.00
BSO 1020E	1,000	30	9	with limit switch and 2m cable fitted with plug for tirak™ connection	6,5	291879	€2,127.00
BSO 1034	1,000	40	10	-	6,5	291929	€2,062.00
BSO 1034E	1,000	40	10	with limit switch and 2m cable fitted with plug for tirak™ connection	6,5	291939	€2,178.00
BSO 1034E	1,000	40	10	with limit switch and 2m cable fitted with cable gland for tirak™ connection	6,5	296449	€2,234.00
BSO 1032	1,200	20	10	-	6,5	291759	€2,245.00
BSO 1032E	1,200	20	10	with limit switch and 2m cable fitted with plug for tirak™ connection	6,5	291769	€2,492.00
BSO 1032E	1,200	20	10	with limit switch and 2m cable fitted with cable gland for tirak™ connection	6,5	296409	€2,264.00
BSO 1032EFA	1,200	20	10	with remote triggering of the BSO	6,5	291779	€4,901.00
BSO 1044	1,200	40	11	-	6,5	291949	€2,030.00
BSO 1044E	1,200	40	11	with limit switch and 2m cable fitted with plug for tirak™ connection	6,5	291959	€2,259.00
BSO 1044E	1,200	40	11	with limit switch and 2m cable fitted with cable gland for tirak™ connection	6,5	296459	€2,397.00
BSO 1042EFA	1,200	20	11	with remote triggering of the BSO	6,5	283969	€4,301.00
BSO 2552	2,500	20	14	-	14	291819	€4,886.00
BSO 2552E	2,500	20	14	with limit switch and 2m cable fitted with plug for tirak™ connection	14	291829	€5,124.00
BSO 2552E	2,500	20	14	with limit switch and 2m cable fitted with cable gland for tirak™ connection	14	296499	POA
BSO 2552EFA	2,500	20	14	with remote triggering of the BSO	14	291839	€7,264.00
BSO 3060	3,000	30	16	-	14	291989	€5,373.00
BSO 3060E	3,000	30	16	with limit switch and 2m cable fitted with plug for tirak™ connection	14	291999	€5,454.00
BSO 3060E	3,000	30	16	with limit switch and 2m cable fitted with cable gland for tirak™ connection	14	296509	€4,346.00

Set of straps

for Blocstop

Model	Product Code	Price
straps for BSO 510 - 1044	42517	€136.80
straps for BSO 2050 - 3060	198247	€132.40

Counterweights

for Blocstop

Model	Product Code	Price
	01188	€22.50
		121

Load arrester

Blocmat S Ceiling Assembly and SI, Floor Assembly

Automatic wire rope load arrester with an integrated drum reeler.

The Blocmat is an automatic wire rope load arrester with an integrated drum reeler. A falling load will be arrested within 10 cm by the Blocmat. It is easy to carry out a functional test and to manually release and reset the load arrester. After activation, release, and reset the system can immediately be used again.


Available models in the Blocmat series:


- S - Ceiling assembly
 - SI - Floor assembly (to be used with additional sheave)
- Features Blocmat S Ceiling assembly and SI Floor assembly:


- Very limited fall (<100 mm)
- Triggering speed 30m/min
- Automatic winding of wire rope
- Very robust and durable
- Easy to use
- Manual test function
- Capacity up to 1,000 kg
- Complies with the 2006/42/EC standard



Model	WLL (kg)	Length of wire rope (mm)	Wire rope ø (mm)	Weight (kg)	Product code	Price
S 500/15	500	15	6.5	29	47329	€3,861.00
S 500/20	500	20	6,5	38	47339	€4,368.00
S 500/25	500	25	6.5	40	47349	€4,595.00
S 800/10	800	8	8.4	35	47359	€5,055.00
S 800/20	800	20	8.4	43	47369	€5,212.00
S 1000/8	1,000	8	9.5	33	47379	€5,001.00
S 1000/12	1,000	12	9.5	39	47389	€4,817.00
S 1000/25	1,000	25	9.5	46	75399	€6,065.00
SI 500/15	500	15	6.5	28	47269	€3,506.00
SI 500/25	500	25	6.5	39	47279	€4,170.00
SI 800/15	800	15	8.4	36	47289	€5,099.00
SI 800/25	800	25	8.4	42	47299	€4,995.00
SI 1000/10	1,000	10	9.5	29	47309	€5,007.00
SI 1000/25	1,000	25	9.5	44	47319	€5,250.00

 Order products on day 1, will be shipped no later than day 2

 Order products on day 1, will be shipped no later than day 3. Maximum quantities apply for this service.

 Available on request. Please enquire about delivery times of these items.

Load arrester

Blocmat TSD

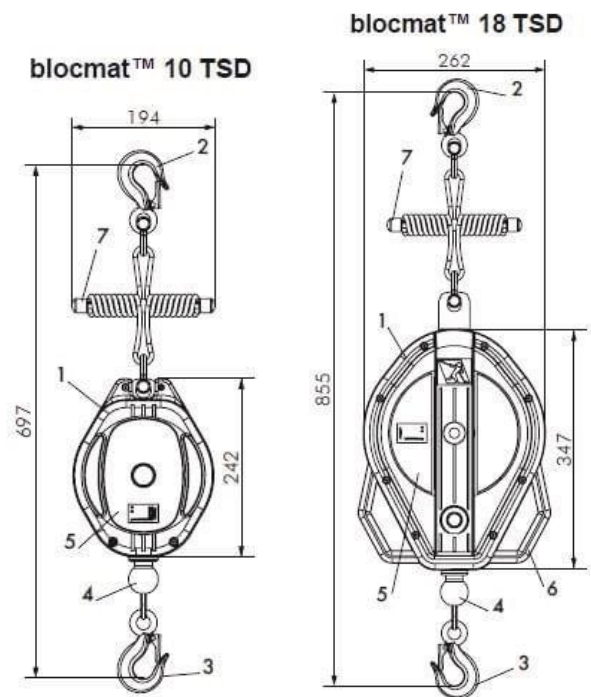
The Blocmat TSD: An advanced self-retracting load fall arrest solution. Equipped with the innovative TSD system (Top System Dissipator), the Blocmat TSD guarantees a falling load of less than 650daN, even if the load drops when the cable is fully unwound.

The Blocmat TSD is available in two lengths: 10m and 18m, both with a Working Load Limit (WLL) of 250kg. It offers a number of advantages over traditional fall arrest systems. Its integration of the TSD system at the top of the device eliminates the risk of a violent shock, while its optimised design allows for simplified maintenance. In addition, the Blocmat TSD has a very good grip for transport and installation, making it easy to use in any work environment.


Trust the Blocmat TSD to keep your equipment and personnel safe and secure. Contact us to learn more today.


This product comes equipped with [Tracinfo](#), an online service that simplifies the way you access product documentation. With [Tracinfo](#), you can get instant access to manuals, certificates, and more with just a few clicks.


Model	WLL (kg)	Dimensions (mm)	Length of wire rope (mm)	Wire rope ø (mm)	Activation speed (m/min)	Weight (kg)	Product code	Price
Blocmat 10 TSD	250	697 x 194 x 95	10	4,9	35	5,9	279479	€802.00
Blocmat 18 TSD	250	855 x 262 x 110	18	5	35	9,6	3378	€210.00



1. Housing
2. Anchorage on structure
3. Anchorage to load
4. End stop
5. Identification label
6. Handle
7. Shock absorber

 Order products on day 1, will be shipped no later than day 2

 Order products on day 1, will be shipped no later than day 3. Maximum quantities apply for this service.

 Available on request. Please enquire about delivery times of these items.

2.

Measure and Control





Dynafor load cells

Page 126–136

Mechanical Dynasafe

Page 137–137

Electronic Dynasafe

Page 138–142

Dynarope Tension meters

Page 143–144

Anchor testers

Page 145–145

- Available on request. Please enquire about delivery times for these items.
- Order on day 1, shipment no later than day 3 (maximum quantities).
- Order products on day 1, will be shipped no later than day 2.

Dynafor loadcells

a wide range

Handifor



Dynafor Industrial



Dynafor Pro



Dynafor Expert



Accuracy	±0,5%	±0,3 %	±0,2 %	±0,1 %
Capacity	20 kg to 200 kg	1 t to 20 t	1 t to 250 t	0,5 t to 10 t
Functions	Tare, Peak hold, Units change (kg, daN, lbs)	Tare, Peak hold, Units change (kg, daN, lbs)	Tare, Peak hold, Units change (kg, t, US ton, daN, lbs), Settable alarms, Data saving, Multiple readings	
Display	Display integrated on the loadcell with 14 mm digits	Display integrated on the load cell with 18 mm digits	Multiple display options:	

- Multiple reading of loadcells on the HHD, wireless range up to 400 m
- Free app compatible with Android and iOS devices



- AL63 & AL128 giant remote displays with 1 to 4 loadcells, wireless range up to 200 m.

Battery life	Up to 100 h	Up to 300 h	Up to 1 000 h	
IP rating	IP40	IP65	IP65 as standard, IP67 available as option	IP64 as standard, IP67 available as option
Lifting accessories	None	Compatible with bow shackles	Compatible with bow shackles	Compatible with bow and clevis shackles

- | | | | |
|---------------------|---|--|--|
| Applications | <ul style="list-style-type: none"> • Hand weighing | <ul style="list-style-type: none"> • Overhead weighing • Force measurement testing • Towing applications • Safety and lifting applications | <ul style="list-style-type: none"> • Overhead weighing • Force measurement testing • Towing applications • Safety and lifting applications • R&D projects • Load balancing • Load monitoring on lifting equipment |
|---------------------|---|--|--|



Handifor load indicator

A convenient electronic load indicator including hooks for measuring small weights, quickly and easily.

- 5-digit LCD display, 14 mm height

- Safety factor minimum of 4
- 0.5% accuracy of measuring range
- Units: kg, daN, lbs
- IP40 protection rating

Model	W.L.L	Accuracy	Resolution	Weight (kg)	Product Code	Price
Handifor 20	20	±0.1	0.1	0.5	199919	€161.00
Handifor 50	50	±0.25	0.2	0.5	199929	€175.00
Handifor 100	100	±0.5	0.2	0.6	199939	€195.00
Handifor 200	200	±1	0.5	0.9	199949	€199.00

Delivery includes the Handifor, S-hook and carabiner, operating instructions and declaration of conformity. Supplied in sturdy cardboard packaging.



Dynafor Industrial



Featuring an integrated display, the Dynafor Industrial series of load indicators provides great value, with an accuracy of 0.3%.

- Capacity range from 1t up to 20t
- 5-digit LCD display, 18mm height
- 0.3% accuracy of measuring range
- Automatic time off set at 20 min (removal in option)
- Multiple integrated functions : On, Tare, Peak Hold, Units change (kg, lbs, daN)
- IP65 protection rating
- QR code on front face leading to technical documentation and traceability at all time

Model	WLL (t)	Accuracy (kg)	Min. value (kg)	Weight (kg)	Product code	Price
Dynafor Industrial 1T	1	±3	1	0.75	260889	€1,323.00
Dynafor Industrial 3.2T	3.2	±9.6	2	0.93	260899	€1,507.00
Dynafor Industrial 6.3T	6.3	±18.9	5	1.44	260909	€1,656.00
Dynafor Industrial 12.5T	12.5	±37.5	10	3.22	260919	€1,961.00
Dynafor Industrial 20T	20	±60	20	4.95	260929	€2,304.00
Option - Time off removal	-	-	-	-	281097	€142.00

Delivery includes the Dynafor Industrial, user manual, calibration report and declaration of conformity. Supplied in a plastic case with foam protection.




Bow shackle for Dynafor


Model	Product Code	Price
Bow shackle 0.5-3.2T	47916	€22.00
Bow shackle 5T-6.5T	47926	€49.00
Bow shackle 10T-12.5T	47936	€117.00
Bow shackle 20T-25T	47946	€284.00




Swivel hook for Dynafor

Model	Product Code	Price
Swivel hook 1t-3.2t	40977	€470.00
Swivel hook 6.3t-6.5t	105567	€712.00
Swivel hook 12.5t-15t	113227	€760.00
Swivel hook 20t	105587	€1,344.00

 Order products on day 1, will be shipped no later than day 2

 Order products on day 1, will be shipped no later than day 3. Maximum quantities apply for this service.

 Available on request. Please enquire about delivery times of these items.

Dynafor Pro

Dynamometer



The Dynafor Pro is the latest version of a versatile and robust wireless digital dynamometer, used in various weighing and force measurement applications.

- Capacity range from 1t up to 250t
- Wireless connection using Radio-Frequency 2.4Ghz with Tractel® Dynafor HHD, large displays AL63, DMU and software accessories, up to 400m
- Wireless connection using Bluetooth® with any smartphone equipped with our free app', up to 30m
- Both Bluetooth® and Radio-Frequency 2.4 GHz available simultaneously
- Various possibilities using several Pro and accessories
- 0.2% accuracy of measuring range
- IP 65 protection rating (IP 67 in option)
- QR Code apposed on product leading to technical and traceability documentation

Model	WLL (t)	Accuracy (kg)	Weight (kg)	Product code	Price
Dynafor Pro 1T	1	±2	0.7 kg	293369	€1,874.00
Dynafor Pro 1t with HHD	1	±2	0.7 kg	359000	€2,824.00
Dynafor Pro 3,2T	3.2	±6,4	0.86 kg	293379	€2,179.00
Dynafor Pro 3.2t with HHD	3.2	±6,4	0.86 kg	359010	€3,129.00
Dynafor Pro 6,5T	6.5	±13	1.6 kg	293389	€2,522.00
Dynafor Pro 6.5t with HHD	6.5	±13	1.6 kg	359020	€3,472.00
Dynafor Pro 15T	15	±30	3.66 kg	293399	€2,765.00
Dynafor Pro 15t with HHD	15	±30	3.66 kg	359030	€3,715.00
Dynafor Pro 25T	25	±50	5.33 kg	293409	€3,155.00
Dynafor Pro 25 t with HHD	25	±50	5.33 kg	359040	€4,105.00
Dynafor Pro 50T	50	±100	11.45 kg	293419	€5,100.00
Dynafor Pro 50t with HHD	50	±100	11.45 kg	359050	€6,050.00
Dynafor Pro 100T	100	±200	27.48 kg	293429	€8,150.00
Dynafor Pro 100t with HHD	100	±200	27.48 kg	359060	€9,100.00
Dynafor Pro 250T	250	±500	97.98 kg	293439	€19,000.00
Dynafor Pro 250t with HHD	250	±500	97.98 kg	359070	€19,950.00
Option - IP 67	-	-	-	281077	€516.00
Option - ISO 376 calibration : 0.5T to 10T	-	-	-	109407	€376.00
Option - ISO 376 calibration : 10T to 50T	-	-	-	109417	€439.00

Delivery includes the Dynafor Pro, user manual, calibration report and declaration of conformity. Supplied in a plastic case with protective foam padding.



Order products on day 1, will be shipped no later than day 2



Order products on day 1, will be shipped no later than day 3. Maximum quantities apply for this service.



Available on request. Please enquire about delivery times of these items.



Dynafor Pro

Lifting accessories



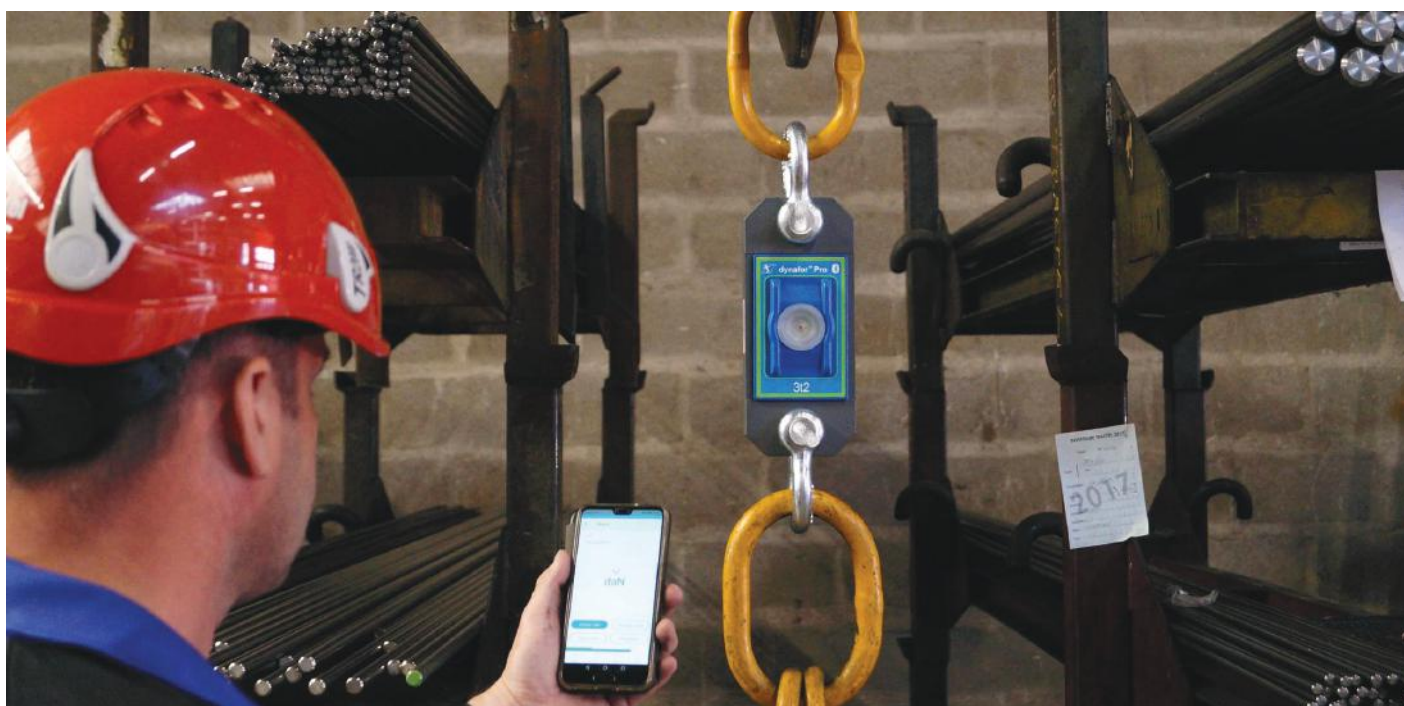
Bow shackle for Dynafor

Model	Product Code	Price
Bow shackle 0.5-3.2T	47916	€22.00
Bow shackle 5T-6.5T	47926	€49.00
Bow shackle 10T-12.5T	47936	€117.00
Bow shackle 15T	112427	POA
Bow shackle 20T-25T	47946	€284.00
Bow shackle 50T	47956	€768.00
Bow shackle 100T	38166	€5,290.00
Bow shackle 250T	93106	€6,373.00



Swivel hook for Dynafor

Model	Product Code	Price
Swivel hook 1t-3.2t	40977	€470.00
Swivel hook 6.3t-6.5t	105567	€712.00
Swivel hook 12.5t-15t	113227	€760.00
Swivel hook 25t	51207	€5,621.00
Swivel hook 50t	51447	€10,134.00



Order products on day 1, will be shipped no later than day 2



Order products on day 1, will be shipped no later than day 3. Maximum quantities apply for this service.



Available on request. Please enquire about delivery times of these items.

Dynafor Pro

Display accessories

Dynafor HHD



The Dynafor HHD is a complete and versatile handheld display.

Universal, it can be connected to our Dynafor Pro, Dynafor Expert and Dynafor Transmitter WL.

- Wireless range up to 400m
 - Single and multi-sensors (max. 4) reading with sum function
 - Multiple display units (daN, kg, t, US Ton, lbs,kN)
 - Tare & Peak hold functions
 - Ergonomic interface
- Settable alarms with incorporated buzzer
 - Manual data recording with up to 100 measures
 - Autonomy up to 24h. Equipped with rechargeable battery. Charger included.
 - Can be used in combination with large displays AL63 and DMU for modular solutions
 - Can be used with Tractel App at the same time
 - QR Code apposed on product for technical and traceability documentation



Model	Product Code	Price
Dynafor HHD	293449	€1,200.00

Delivery includes the Dynafor HHD, user manual, robust plastic case and declaration of conformity.
Supplied in sturdy cardboard packaging.

Dynafor AL63



The Dynafor AL63 is designed to visualize the efforts or loads measured by one up to 4 sensors in a large display.

It can be wirelessly connected to our Dynafor Pro, Dynafor Expert and Dynafor Transmitter WL, up to 200m range.

It also can be wired-connected to our Dynafor Transmitter RS.

- Connection from 1 up to 4 sensors, with automatic sum function.
- Visibility up to 45 m
 - Tare, peak hold, unit's selection with the TLC remote control.
 - Communication between Dynafor AL63 and sensors either through BUS RS 485, either through RadioFrequency 2.4 GHz
 - Can be used with monitor Dynafor DMU

Multiple configurations of monitors, sensors and displays are possible.



Model	Product Code	Price
AL63 kit (incl. TLC remote control, connection unit)	294579	€1,990.00
Power supply 110/230VAC -> 24 VDC	199046	€76.00

The delivery includes the Dynafor AL63, the user manual, a TLC remote control and the declaration of conformity.
Supplied in sturdy cardboard packaging.

Dynafor Pro

Monitoring unit + softwares accessories



Dynafor DMU

The Dynafor DMU is a configurable safety device for managing 5 relays which are triggered in response to signals received from 1 or more electronic loadcells.

- Measure the rope tension or loads from 1 or more Dynafor Pro, Expert and Transmitter
- Manage 5 relays with adjustable thresholds and hysteresis
- Used for shutting down off equipments, powering on visual and audible alarms..
- Monitor the network
- Connect the unit to a AL63 LED display with a cable
- Connect the unit to a remote display HHD

Model	Product Code	Price
Dynafor DMU - Display Monitoring Unit	293479	€1,950.00
Power supply 110/230VAC -> 24 VDC	199046	€77.00

Delivery includes the Dynafor DMU, user manual and declaration of conformity.
Supplied in sturdy cardboard packaging.



Dynasoft - software for Dynafor

The Dynasoft suite is composed of several modules:

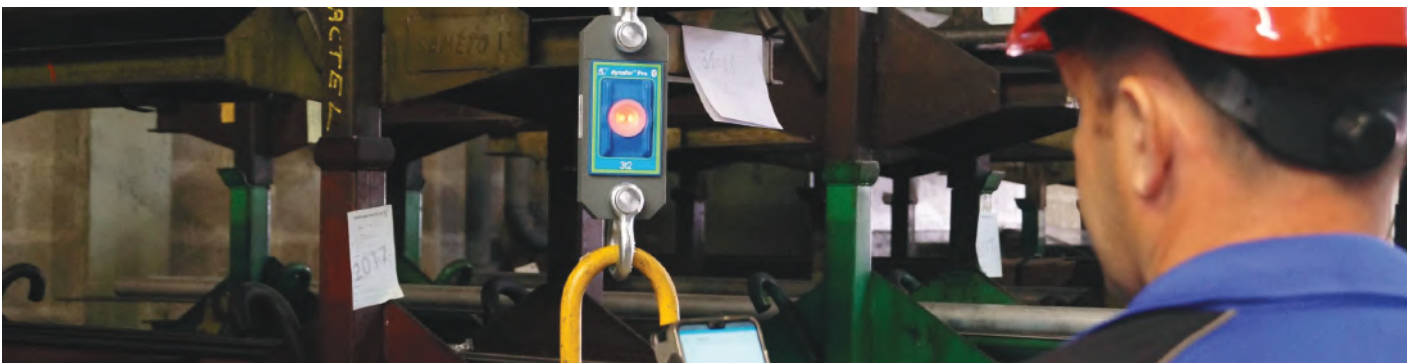
- **Dynasoft Download** allows the transfer of measurements stored in our Dynafor HHD to the PC
- **Dynasoft Threshold Management** allows to transfer the alarm data saved in our Dynafor HHD to the PC
- **Dynasoft Monitoring** to perform real-time monitoring, recording and processing. The software needs to be used conjointly with our Dynafor HHD, and one to 16 Dynafor loadcells. Two packages are available. The basic and premium licenses are valid for an initial period of 1 year, which can be extended on expiration.

Model	Product Code	Price
Dynasoft Basic (incl. Download & Threshold management) - First year	293509	€99.00
Dynasoft Premium (incl. Monitoring, Download & Threshold Management) - First year	294479	€450.00

Softwares are delivered with an activation code.

An internet connection is required to activate the software.

Licences to use 'Basic' and 'Premium' are valid for one year and can be renewed for another year.



Dynafor Expert

Dynamometer




The Dynafor Expert specific mechanical design allows it to be extremely precise.


- Capacity range from 0.5t up to 10t
- Wireless connection using Radio-Frequency 2.4Ghz with Tractel® Dynafor HHD, large displays AL63, DMU and software accessories, up to 400m
- Wireless connection using Bluetooth® with any smartphone equipped with our free app', up to 30m
- Both Bluetooth® and Radio-Frequency 2.4 GHz available simultaneously
- Various possibilities using several Expert and accessories
- 0.1% accuracy of measuring range
- IP 64 protection rating (IP 67 in option)
- Unique loadcell compatible with clevis hooks and shackles
- QR Code apposed on product leading to technical and traceability documentation


Model	WLL (t)	Accuracy (kg)	Weight (kg)	Product code	Price
Dynafor Expert 0.5T	0.5	±0.5	2.3 kg	293299	€2,392.00
Dynafor Expert 0,5t with HHD	0,5	±0.5	2,3 kg	359080	€3,342.00
Dynafor Expert 1T	1	±1	2.3 kg	293309	€2,529.00
Dynafor Expert 1t with HHD	1	±1	2,3 kg	359090	€3,479.00
Dynafor Expert 2T	2	±2	2.3	293319	€2,688.00
Dynafor Expert 2t with HHD	2	±2	2,3	359100	€3,638.00
Dynafor Expert 3.2T	3.2	±3.2	2.3	293329	€2,851.00
Dynafor Expert 3,2t with HHD	3,2	±3.2	2,3	359110	€3,801.00
Dynafor Expert 5T	5	±5	3.35 kg	293339	€3,000.00
Dynafor Expert 5t with HHD	5	±5	3,35 kg	359120	€3,950.00
Dynafore Expert 6.3T	6.3	±6.3	3.35 kg	293349	€3,148.00
Dynafor Expert 6,3t with HHD	6,3	±6.3	3,35 kg	359130	€4,098.00
Dynafor Expert 10T	10	±10	6.45	293359	€3,739.00
Dynafor Expert 10t with HHD	10	±10	6,45	359140	€4,689.00
Option - IP 67	-	-	-	281067	€557.00
Option - ISO 376 calibration : 0.5T to 10T	-	-	-	109407	€345.00

Suitable for use with various accessories.

Supplied in a plastic case with 1 calibration certificate, operating instructions and CE certificate.

 Order products on day 1, will be shipped no later than day 2

 Order products on day 1, will be shipped no later than day 3. Maximum quantities apply for this service.

 Available on request. Please enquire about delivery times of these items.



Dynafor Expert

Lifting accessories



Bow shackle for Dynafor

Model	Product Code	Price
Bow shackle 0.5-3.2T	47916	€22.00
Bow shackle 5T-6.5T	47926	€49.00
Bow shackle 10T-12.5T	47936	€117.00



Clevis shackle for Dynafor

Model	Product Code	Price
Clevis shackle 0.5T-3.2T	111407	€87.00
Clevis shackle 5T-6.3T	111417	€191.00
Clevis shackle 10T	112207	€295.00



Hook for Dynafor

Model	Product Code	Price
Clevis hook 0.5T-3.2T	111437	€105.00
Clevis hook 5T-6.3T	111447	€201.00
Clevis hook 10T	112217	€277.00

Dynafor Expert

Display accessories

Dynafor HHD



The Dynafor HHD is a complete and versatile handheld display.

Universal, it can be connected to our Dynafor Pro, Dynafor Expert and Dynafor Transmitter WL.

- Wireless range up to 400m
 - Single and multi-sensors (max. 4) reading with sum function
 - Multiple display units (daN, kg, t, US Ton, lbs,kN)
 - Tare & Peak hold functions
 - Ergonomic interface
- Settable alarms with incorporated buzzer
 - Manual data recording with up to 100 measures
 - Autonomy up to 24h. Equipped with rechargeable battery. Charger included.
 - Can be used in combination with large displays AL63 and DMU for modular solutions
 - Can be used with Tractel App at the same time
 - QR Code apposed on product for technical and traceability documentation



Model	Product Code	Price
Dynafor HHD	293449	€1,200.00

Delivery includes the Dynafor HHD, user manual, robust plastic case and declaration of conformity. Supplied in sturdy cardboard packaging.

Dynafor AL63



The Dynafor AL63 is designed to visualize the efforts or loads measured by one up to 4 sensors in a large display.

It can be wirelessly connected to our Dynafor Pro, Dynafor Expert and Dynafor Transmitter WL, up to 200m range.

It also can be wired-connected to our Dynafor Transmitter RS.

- Connection from 1 up to 4 sensors, with automatic sum function.
- Visibility up to 45 m
 - Tare, peak hold, unit's selection with the TLC remote control.
 - Communication between Dynafor AL63 and sensors either through BUS RS 485, either through RadioFrequency 2.4 GHz
 - Can be used with monitor Dynafor DMU
- Multiple configurations of monitors, sensors and displays are possible.



Model	Product Code	Price
AL63 kit (incl. TLC remote control, connection unit)	294579	€1,990.00
Power supply 110/230VAC -> 24 VDC	199046	€76.00

The delivery includes the Dynafor AL63, the user manual, a TLC remote control and the declaration of conformity. Supplied in sturdy cardboard packaging.



Order products on day 1, will be shipped no later than day 2



Order products on day 1, will be shipped no later than day 3. Maximum quantities apply for this service.



Available on request. Please enquire about delivery times of these items.

Dynafor Expert

Monitoring unit + Softwares accessories



Dynafor DMU

The Dynafor DMU is a configurable safety device for managing 5 relays which are triggered in response to signals received from 1 or more electronic loadcells.

- Measure the rope tension or loads from 1 or more Dynafor Pro, Expert and Transmitter
- Manage 5 relays with adjustable thresholds and hysteresis
- Used for shutting down off equipments, powering on visual and audible alarms..
- Monitor the network
- Connect the unit to a AL63 LED display with a cable
- Connect the unit to a remote display HHD

Model	Product Code	Price
Dynafor DMU - Display Monitoring Unit	293479	€1,950.00
Power supply 110/230VAC -> 24 VDC	199046	€77.00

Delivery includes the Dynafor DMU, user manual and declaration of conformity.
Supplied in sturdy cardboard packaging.



Dynasoft - software for Dynafor

The Dynasoft suite is composed of several modules:

- **Dynasoft Download** allows the transfer of measurements stored in our Dynafor HHD to the PC
- **Dynasoft Threshold Management** allows to transfer the alarm data saved in our Dynafor HHD to the PC
- **Dynasoft Monitoring** to perform real-time monitoring, recording and processing. The software needs to be used conjointly with our Dynafor HHD, and one to 16 Dynafor loadcells. Two packages are available. The basic and premium licenses are valid for an initial period of 1 year, which can be extended on expiration.

Model	Product Code	Price
Dynasoft Basic (incl. Download & Threshold management) - First year	293509	€99.00
Dynasoft Premium (incl. Monitoring, Download & Threshold Management) - First year	294479	€450.00

Softwares are delivered with an activation code.
An internet connection is required to activate the software.
Licences to use 'Basic' and 'Premium' are valid for one year and can be renewed for another year.



Mechanical Dynasafe

Dynasafe Mecha

The Dynasafe Mecha is a mechanical load limiter to be installed on a steel wire rope.

- 2 independant thresholds (max. 4A / 230 VAC)
- Can be used for overload protection, wire rope slack detection and others
- Easy to mount
- Repeatability of 1%
- Cable gland output - Lenght 2m
- QR Code apposed on product for technical and traceability documentation
- Factory setting available in option

Model	WLL (kg)	Wire rope ø (mm)	Product code	Price
Dynasafe Mecha 3.2	3200	5-16	293599	€750.00
Dynasafe Mecha 7	7000	17-26	198959	€850.00
Dynasafe Mecha 12	12000	27-36	38668	€2,551.00
Option Mecha 3.2 - Extra cable lenght	-	-	282847	€12.00
Option Mecha 7 - Extra cable lenght	-	-	288907	€12.00

Delivery: Dynasafe HF05, operating instructions and declaration of conformity. Delivered in sturdy cardboard packaging.



Dynasafe HF 05

The Dynasafe HF05 is a mechanical load limiter to be installed on a fixed point (dead-end or specific mechanical design)

- Capacity up to 8 t
- 2 independant thresholds (max. 4A / 230 VAC)
- Can be used for overload protection and others
- Cable gland output - Lenght 2m
- Factory setting available in option

Model	WLL (kg)	Product code	Price
HF05/1/A2/AL	500	207298	€1,212.00
HF05/2/A2/AL	1 250	207308	€1,267.00
HF05/3/A2/AL	2 000	207318	€1,324.00

Levering: Dynasafe HF05, de gebruiksaanwijzing en de conformiteitsverklaring. Geleverd in stevige kartonnen verpakking.



Dynasafe Mecha and HF05 adjustment

Model	Product Code	Price
Option - Factory preset for Mecha 3.2	281407	€149.00
Option - Factory preset for Mecha 7	274647	€150.00

The price is for one threshold setting. For Mecha, the setting is done on wire ropes of structure 6X36 or 7X19, with the closest diameter available at the factory.

Electronic Dynasafe

Electronic load limiter

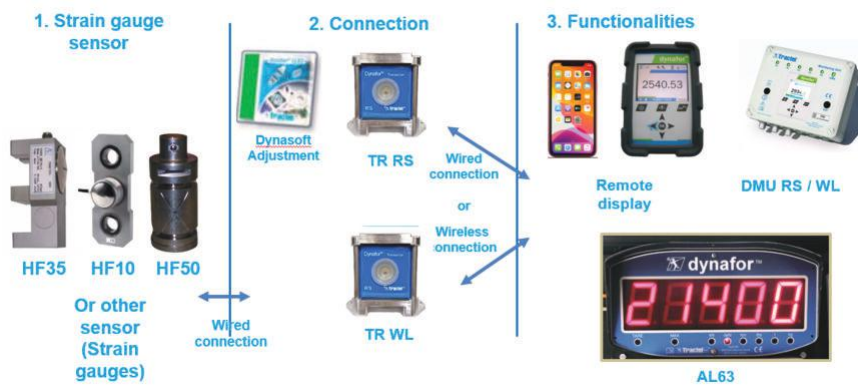
Applications

When a mechanical solution is not enough, and you want to :

- Display a load
- Integrate a sensor signal to your PLC (Programmable Logic Controller)
- Do real-time monitoring and relay management
- Manage several sensors individually and together

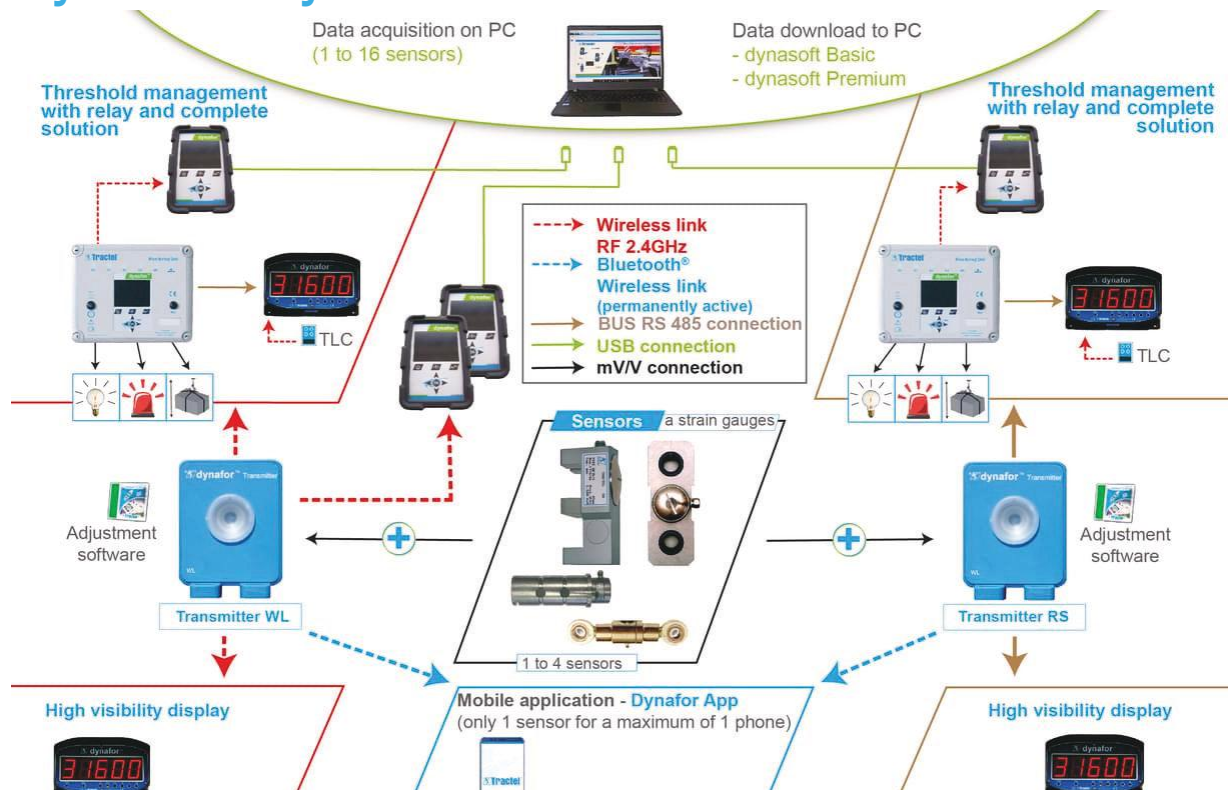
From the sensor definition, to the accessories option, Tractel supports you in defining an electronic solution that meets your requirements.

How to define a Dynasafe solution



1. Select or design a strain gauge sensor that fits perfectly in your application. Tractel offers standards sensors as well as specific sensors.
2. Define what type of connection do you need :
 - Wired connection through our Dynafor™ Transmitter RS
 - Wireless connection through our Dynafor™ Transmitter WL
 - Standard wired conditioner for analog output (4-20 mA, 0-10V)
3. Select the correct Tractel accessories to fulfill your needs

A fully modular system



Dynasafe

1. Strain gauge sensor

Dynasafe HF35

- Electronic loadcell for installation on a wire rope
 - 1% accuracy of measuring range
 - Capacity range from 2t to 20t
 - Compatible with wire rope diameters 5 to 45 mm
 - Cable gland output
 - Customized signal output : mV/V, 0-10V, 4-20mA, Hz
- Specify wire rope diameter, capacity on fall and signal output with your request.

Model Name	Price
Dynasafe HF35	POA



Dynasafe HF10

- Electronic loadcell for installation on dead-end or integrated in a machine
 - 0.2% accuracy of measuring range
 - Capacity range from 1.6t to 16t
 - Cable gland output
 - Customized signal output : mV/V, 0-10V, 4-20mA, Hz
- Specify effort and signal output with your request.

Model Name	Price
Dynasafe HF10	POA



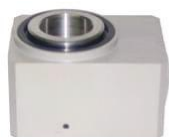
Dynasafe HF50

- Shear stress electronic loadcell for installation as a shaft
 - Most integrated product with no headroom loss
 - 0.5% accuracy of measuring range
 - Mechanical design according to customer's specification
 - Custom capacity
 - Cable gland output
 - Customized signal output : mV/V, 0-10V, 4-20mA, Hz
- Fulfill the loadpin specification sheet with your request.

Model Name	Price
Dynasafe HF50	POA



For questions or other designs, please contact our Customer Service.



Transmitter

2. Connection



Dynafor Transmitter WL & RS



The Dynafor Transmitter WL & RS are conditioners used to format the signal generated by a strain gauge sensor into a signal readable by our wired and wireless accessories.

It can be used with any sensor that has a mV/V output.

- Capacity defined by the associated sensor
- WL version :
 - Radio-Frequency 2.4GHz chipset for wireless range up to 400m with our accessories (HHD, AL63, DMU and softwares)
 - Bluetooth chipset for a connection to any smartdevice equipped with our free app', up to 30m
 - Both Bluetooth and Radio-Frequency 2.4 GHz available
- RS version :
 - RS485 output (proprietary) for a wired connection with accessories.
 - Bluetooth chipset aswell as WL version
 - Both RS485 and Bluetooth available
- Powered by 3 AA batteries for WL version, RS485 for RS version
- Combined with our required software "Dynasoft Adjustment", the system {Dynafor Transmitter RS or WL + sensor} is adjustable by the end-user for high accuracy.

Model	Product Code	Price
Dynafor Transmitter RS	293469	€700.00
Dynafor Transmitter WL	293459	

The delivery includes the Dynafor transmitter WL & RS, the user manual, the robust plastic housing and the declaration of conformity. Supplied in sturdy cardboard packaging.

Once the transmitter is selected, the system can communicate with our wired and wireless Tractel accessories (DMU, HHD, AL), which can be found on the following pages.



Order products on day 1, will be shipped no later than day 2



Order products on day 1, will be shipped no later than day 3. Maximum quantities apply for this service.



Available on request. Please enquire about delivery times of these items.

Dynafor HHD



The Dynafor HHD is a complete and versatile handheld display.

Universal, it can be connected to our Dynafor Pro, Dynafor Expert and Dynafor Transmitter WL.

- Wireless range up to 400m
- Single and multi-sensors (max. 4) reading with sum function
- Multiple display units (daN, kg, t, US Ton, lbs,kN)
- Tare & Peak hold functions
- Ergonomic interface
- Settable alarms with incorporated buzzer
- Manual data recording with up to 100 measures
- Autonomy up to 24h. Equipped with rechargeable battery. Charger included.
- Can be used in combination with large displays AL63 and DMU for modular solutions
- Can be used with Tractel App at the same time
- QR Code apposed on product for technical and traceability documentation



Model	Product Code	Price
Dynafor HHD	293449	€1,200.00

Dynafor AL63



The Dynafor AL63 is designed to visualize the efforts or loads measured by one up to 4 sensors in a large display.

It can be wirelessly connected to our Dynafor Pro, Dynafor Expert and Dynafor Transmitter WL, up to 200m range.

It also can be wired-connected to our Dynafor Transmitter RS.

- Connection from 1 up to 4 sensors, with automatic sum function.
 - Visibility up to 45 m
 - Tare, peak hold, unit's selection with the TLC remote control.
 - Communication between Dynafor AL63 and sensors either through BUS RS 485, either through RadioFrequency 2.4 GHz
 - Can be used with monitor Dynafor DMU
- Multiple configurations of monitors, sensors and displays are possible.



Model	Product Code	Price
AL63 kit (incl. TLC remote control, connection unit)	294579	€1,990.00
Power supply 110/230VAC -> 24 VDC	199046	€76.00
Bus cable RS485 (per meter)	31411	€3.00
Connection Unit	244019	€180.00

Order products on day 1, will be shipped no later than day 2

Order products on day 1, will be shipped no later than day 3. Maximum quantities apply for this service.

Available on request. Please enquire about delivery times of these items.



Dynafor DMU

The Dynafor DMU is a configurable safety device for managing 5 relays which are triggered in response to signals received from 1 or more electronic loadcells.

- Measure the rope tension or loads from 1 or more Dynafor Pro, Expert and Transmitter
- Manage 5 relays with adjustable thresholds and hysteresis
- Used for shutting down off equipments, powering on visual and audible alarms..
- Monitor the network
- Connect the unit to a AL63 LED display with a cable
- Connect the unit to a remote display HHD

Model	Product Code	Price
Dynafor DMU - Display Monitoring Unit	293479	€1,950.00
Power supply 110/230VAC -> 24 VDC	199046	€77.00
Bus cable RS485 (per meter)	31411	€3.00
Connection Unit	244019	€180.00

Delivery includes the Dynafor DMU, user manual and declaration of conformity.
Delivered in sturdy cardboard packaging.



Dynasoft - software for Dynafor

The Dynasoft suite is composed of several modules:

- **Dynasoft Download** allows the transfer of measurements stored in our Dynafor HHD to the PC
- **Dynasoft Threshold Management** allows to transfer the alarm data saved in our Dynafor HHD to the PC
- **Dynasoft Monitoring** to perform real-time monitoring, recording and processing. The software needs to be used conjointly with our Dynafor HHD, and one to 16 Dynafor loadcells. Two packages are available. The basic and premium licenses are valid for an initial period of 1 year, which can be extended on expiration.

Model	Product Code	Price
Dynasoft Basic (incl. Download & Threshold management) - First year	293509	€99.00
Dynasoft Premium (incl. Monitoring, Download & Threshold Management) - First year	294479	€450.00

Softwares are delivered with an activation code.
An internet connection is required to activate the software.
Licences to use 'Basic' and 'Premium' are valid for one year and can be renewed for another year.



Dynarope

Tension meters HF37 and HF45

Dynarope HF37

The Dynarope tension meter HF37 is a precision device for measuring forces in a tensioned cable or rope, without dismantling the installation.

Can be used for guy wire maintenance, architectural wire rope installations, sailing ships, etc.

- Quick direct mounting on the wire or rope
- Capacity range from 50 to 3000 kg
- Extensive wire rope database
- 3% accuracy of measuring range, if wire rope and diameter included in the database
- Compatible with diameters from 5 to 16 mm
- LCD display directly on the sensor
- Possibility to add a wire or rope in the database

Model	WLL (kg)	Wire rope ϕ (mm)	Product Code	Price
Kit Dynarope HF37/1/LPT	50 - 1 500	5 - 13	190008	€5,120.00
Kit Dynarope HF37/2/LPT	100 - 3 000	5 - 16	190018	€7,902.00

Delivery includes the Dynarope HF37, display, software Loader Light, CE certificate and manual. Supplied in a robust plastic case.



Dynaline HF 45

Specific model, based on HF37 technology, adapted to measure precisely tension in lifelines.

- Quick direct mounting on the wire or rope thanks to modified fixing hooks
- Capacity range from 50 to 600 kg
- Specific lifeline wire rope database
- 3% accuracy of measuring range, if wire rope and diameter included in the database
- Compatible with diameters from 8 to 12 mm
- LCD display directly on the sensor
- Possibility to add a wire or rope in the database

Model	WLL (kg)	Wire rope ϕ (mm)	Product Code	Price
Kit Dynaline HF45/1/LPT	50 - 600	8 - 12	187998	€5,509.00
Specific wire rope calibration	-	-	111347	€395.00

Delivery includes the Dynaline HF45, display, Loader Light software, CE certificate and manual. Supplied in a robust plastic case.



Database extension and software

Model Name	Product Code	Price
Option - Specific calibration for database	111347	€395.00
Software Loader Tech - Update of database remotely	193018	€1,180.00
Software Loader Full (incl. Loader Tech + Loader Light)	187978	€1,739.00

A specific sample is required to perform a calibration.

Loader Light (downloading data stored in the strain gauge) always included in the kit.



Dynarope HF 36

Tension meter for high capacities

The Dynarope tension meter HF36 is a precision device for measuring forces in a tensioned cable or rope, without dismantling the installation. Can be used for equalising wire rope installations, guy wire tower applications, guy wire antennas and masts applications...

- Direct mounting on wire or rope, tightening by turning the wheel
- Extensive capacity range from 100 kg to 40t
- Various wire rope database
- 1% accuracy of measuring range, if wire rope and diameter included in the database
- Compatible with diameters from 5 to 44 mm
- Separate LCD display connected with LEMO cable
- Possibility to add a wire or rope in the database

Modelnaam	WLL (kg)	Wire rope ø (mm)	Product code	Price
Kit Dynarope HF36/1/LPT	100 - 5 000	5 - 13	187938	€11,619.00
Kit Dynarope HF36/2/LPT	100 - 20 000	9 - 28	187948	€14,046.00
Kit Dynarope HF36/3/LPT*	200 - 40,000	20 - 44	187958	€21,893.00

*For forces above 20t, the additional hydraulic kit is required. Please contact Tractel.

Delivery includes the Dynarope HF36, displays, LEMO cable connection, Loader Light software, CE certificate and manual. Supplied in a robust plastic case.



Dynarope HF 36/RWT

Tension meter designed for railway applications

The Dynarope tension meter HF36 model RWT is a very specific tensiometer designed to measure tension on catenaries, without dismantling the installation.

- Direct mounting on wire or rope, tightening by turning the wheel
- Modified support points to match catenaries shape
- Capacity range from 100 to 5000 kg with specific database
- 1% accuracy of measuring range, if wire rope and diameter included in the database
- Compatible with diameters from 9 to 28 mm
- Separate LCD display connected with LEMO cable

Model	WLL (kg)	Wire rope ø (mm)	Product code	Prijs
Kit Dynarope HF36/1/RWT	100 - 5 000	9 - 28	190688	€20,956.00

Delivery includes the Dynarope HF36, displays, LEMO cable connector, Loader Light software, CE certificate and manual. Supplied in a robust plastic case.

Database extension and software

Modelnaam	Productcode	Prijs
Option - Specific calibration for database	122350	POA
Software Loader Tech - Update of database remotely	193018	€1,180.00
Software Loader Full (incl. Loader Tech + Loader Light)	187978	€1,739.00

A specific sample is required to perform a calibration.

Loader Light (downloading data stored in the strain gauge) always included in the kit.

Anchor testers / measuring equipment

Anchor testers and Dynaplug

Anchor Tester TA

Anchor testers TA are test specimens endowed with a breaking section calibrated to break under a determined traction force. The anchor tester must be installed between the anchor point to be tested and the loading device by means of shackles or any other adequate mechanical connection.

- Quick and reliable test
- Unique usage
- Capacity range from 600 to 4000 daN
- Breaking tolerance $\pm 10\%$

Model	Breaking load (daN)	Product Code	Price
TA 600 - 20 plates	600	193269	€190.00
TA 1000 - 20 plates	1 000	261769	€284.00
TA 1200 - 20 plates	1 200	261779	€265.00
TA 1500 - 20 plates	1 500	193279	€282.00
TA 2000 - 20 plates	2 000	193289	€285.00
TA 4000 - 10 plates	4 000	193299	€252.00

Delivery includes the breaking plates in series of N plates, and instructions. Supplied in PE bag.



Dynaplug HF 44

The Dynaplug anchor tester is an electronic load cell designed to measure anchor strength in construction material. Its shape as a tripod has been especially designed to minimize its influence on the concrete around the fixing.

- Stand-alone anchor tester
- Capacity range from 1 500 to 5000 daN
- 0.5% accuracy of measuring range
- Height of legs adjustable between 70 and 190 mm
- Multiple accessories provided with the tester
- LCD display integrated on the device
- Data saving and possibility to monitor the tension on a PC in option

Model	WLL (daN)	Product code	Price
Kit Dynaplug HF44/1/LPT	1500	190028	€4,948.00
Kit Dynaplug HF44/2/LPT	2500	190038	€6,146.00
Kit Dynaplug HF44/3/LPT	5000	190048	€8,496.00

The delivery includes the Dynaplug HF44, 4 bolts M10/M12/M14/M16 and a draw fork, 3 threaded rods to adjust the height of the legs, the software Loader Light, the CE certificate and the manual. Supplied in a robust plastic case.



Order products on day 1, will be shipped no later than day 2



Order products on day 1, will be shipped no later than day 3. Maximum quantities apply for this service.



Available on request. Please enquire about delivery times of these items.

3. Fall protection





Collective protection

Page 152–156

Fall protection kits

Page 157–160

Safety harnesses

Page 161–185

Fall arrest devices and lanyards

Page 186–217

Safety connectors

Page 218–223

Anchor points

Page 224–237

Lifelines

Page 238–257

Safety ladders and rails

Page 258–292

Confined space access

Page 293–316

Rescue equipment

Page 317–321

Rope access equipment

Page 322–327

Veilig werken op hoogte



Worker safety and ergonomic working conditions are the two key topics to consider when planning work at height.

Collective protection

If working at height cannot be avoided, the installation of collective protection measures such as guard rails should be considered in the first instance. How to safely enter, exit and move around the area with collective protection are points that should be taken into consideration. All measures must be taken to prevent the performance of a particular job from leading to the temporary removal of collective protection equipment. In some instances the installation of temporary collective protection is also a good solution.

Using fall protection PPE

If it is impossible to use collective protection to protect against falls from height, PPE can be used to ensure worker safety. Before any height safety PPE is used, a fall protection plan should be created.

A fall protection plan is a safety plan for workers who will be at elevated work areas. Having a detailed fall protection plan is essential to ensure the highest degree of worker safety. The plan aims to provide a safe working environment and to manage the use of fall protection measures, techniques and equipment.



The following 7 topics should always be addressed in your fall protection plan:

- Assess all fall hazards in the work area
- The fall protection applications employees will be conducting in and the equipment they will need to work safely
- Correct procedures for assembly, use, inspection, maintenance and disassembly of fall protection systems used
- Correct procedures for handling, storage and securing of tools and materials
- Training required for the workers working on the jobsite
- The fall protection plan must be job and site specific
- The fall protection plan must be available to all workers

EN Standards

HARNESSES

EN361: Personal protective equipment against falls from height. Harness belts for work restraint and fall arrest.

EN358: Personal protective equipment for work positioning and prevention of falls from a height. Belts for work positioning and restraint and work positioning lanyards. Normally encompassing side 'D' rings on the waist belt, this allows the user to incorporate a work positioning belt.

EN813: Personal protective equipment against falls from height. Work seats. The seat belt **EN813** can be incorporated on the harness **EN361**. These harnesses have a padded seat and are suitable for working in full suspension. This includes rope access and activities such as window cleaning. It allows greater comfort for the user and has an attachment point for attaching a descender.

EN1497: Rescue harness, dedicated to the design and test of the rescue features in a harness. **EN1497** can be incorporated on the harness **EN361**.

LANYARDS

EN354: Personal protective equipment against falls from height. Lanyards. These can be made from webbing or rope and are suitable for work restraint.

EN355: Personal protective equipment against falls from height. Shock absorbers. These lanyards have a shock absorber and are suitable for fall arrest and work restraint. The maximum length of the lanyard is 2m.

CONNECTORS

EN362: Personal protective equipment against falls from height. Connectors. These include connectors like karabiners, scaffold hooks and dual action hooks. They are used for connecting to anchor points and structures.

ANCHOR POINTS

EN795: fall arrest anchorage point permitting connection to the structure. Two types:

1. PPE anchorage: is transportable anchorage not permanently fixed to the structure.

type (B): Temporary anchor points, **type (E):** Dead-weight anchors

2. NOT PPE anchorage: permanently fixed to the structure

type (A): Permanent anchoring, **type (C):** Permanent lanyard systems, **type (D):** Horizontal rail systems

FALL ARREST/CONTROLLED RATE DESCENDERS/ROPE GRABS

EN360: Personal protective equipment against falls from height. Automatic Fall arresters with retractable lanyards These blocks can be made from webbing or steel wire rope and, depending on the model, can be used in horizontal or vertical applications.

EN341: Evacuator from height. Descender devices for rescue. These controlled rate descenders can be used to lower a casualty or for self rescue from height. These can be equipped with a rescue winch **EN1496**

EN1496: Rescue winch / Rescue lifting devices. These devices can be used to raise a casualty back to the anchor point in the event of an emergency. They are often used as a secondary device

EN353-1: Personal protective equipment against falls from height. Guided type fall arresters including a rigid anchor line. These are permanently installed systems that can be either wire rope or rail. They include a traveller that will allow the user to ascend and descend. This mechanism will lock off in the event of a fall.

EN567: This standard covers mountaineering equipment such as those used in rope access. It includes rope clamp and ascenders.

RIGID & VERTICAL FALL ARREST

EN353-2: Personal protective equipment against falls from height. Guided type fall arresters including a flexible anchor line. These are temporary installed systems. Depending on the model, they can be used vertically or horizontally and for work restraint or fall arrest.

HELMETS

EN397: Industrial safety helmets. Head protection suitable for construction site use.

ADDITIONAL TECHNICAL SPECIFICATIONS

CNB/P/11.060 (horizontal use for the blocfor™ range)

CNB/P/11.062 (use with more than 100 kg user weight)

CNB/P/11.074 horizontal use for the lanyards range)

CNB/P/11.075 (horizontal use for the stopfor™ range)

CNP/P/11.085 (Retractable fall arrest device, Fall Factor 2)

COLLECTIVE PROTECTION

EN13374-A: Temporary edge protection systems. Temporary guardrail. It specifies the requirements and test methods for temporary edge protection systems for use during construction or maintenance of buildings and other structures.

EN14122-4: Safety of machinery — Permanent means of access to machinery. It gives requirements for non-powered guardrails which are a part of a stationary machine, and to the non-powered adjustable parts (e.g. foldable, slidable) and movable parts of those fixed means of access.

Standards

European standards

Before choosing fall protection, it is important to look at the environment and the situation in which you work. Each situation requires a specific approach, as well as appropriate equipment.

European standards recognize 5 types of fall protection.

EQUIPMENT REQUIRED

- Anchoring (EN 795)
- Harness (EN 361)
- Fall arrester (EN 355, EN 353-2, EN 360)
- Safety helmet (EN 397)

Fall arrest

A fall arrest system prevents the user from falling to the ground in the case of a free fall. Its role is to arrest a fall safely by limiting the force of shock suffered by the user. It must be used with enough space that is free from obstacles, allowing the free fall (fall clearance).

EQUIPMENT REQUIRED

- Anchoring (EN 795-A, B, D)
- Harness (EN 361, EN 358, EN 813)
- Fall arrester (EN 360, EN 353-2)
- Ascender (EN 567)
- Descender (EN 341)
- Safety helmet (EN 397)

Working while suspended (rope access work)

A suspension work system allows a user to move on a rope when they are no longer in contact with a structure. The user moves in suspension, using a safety harness equipped with an umbilical attachment point, to which a vertical displacement system is connected.

This device is not intended to stop a fall and must be used in conjunction to a fall arrest system.

EQUIPMENT REQUIRED

- Anchoring (EN 795)
- Harness or safety belt (EN 361, EN 358)
- Lanyard (EN 354)
- Adjustable lanyard (EN 358)
- Safety helmet (EN 397)

Work restraint

A restraint system allows delimitation of a workspace, preventing the worker from entering an area which has a risk of falling.

This type of device is not intended to stop a fall from height.

EQUIPMENT REQUIRED

- Anchoring (EN 795)
- Harness (EN 361, EN 1497)
- Rescue or evacuation equipment (EN 341, EN 1496)
- Safety helmet (EN 397)

Rescue

A rescue system can evacuate a user on a vertical axis from top to bottom or from bottom to top. The use must be assessed before each intervention and the rescue system should be adapted to the site. Staff must be trained in its use.

EQUIPMENT REQUIRED

- Anchoring (EN 795)
- Work positioning harness and belt (EN 361, EN 358)
- Work positioning lanyard (EN 358)
- Safety helmet (EN 397)

Work positioning

A work positioning system secures the operator at the place of work.

It consists of a work positioning belt and an adjustable lanyard. This system lets the operator make precise positional adjustments at the place of work while keeping both of his or her hands free to perform the task.

The purpose of this device is not to arrest a fall, it must be used in conjunction with a fall arrest system.



Tractel's fall arrest equipment specifications

High capacity range 150 kg and use of fall protection at sharp edges

Tractel is one of the first manufacturers to develop a complete range of fall arrest systems with a capacity greater than 100 kg, compliant with the EC requirements.

This range, including anchoring systems, connectors, fall arresters, automatic fall arresters, sliding fall arresters, harnesses, belts, and thigh straps, is tested according to European specifications:

- CNB/P/11.062 (for use above 100 kg)
- CNB/P/11.060 – 074 – 075 (for horizontal use / EDGE compliant)

This range is tested to stop the fall of an operator weighing 150 kg (this figure includes the weight of a person and their equipment) and allows employees to work safely at height, both vertically and horizontally, and in roof / edge applications.

In order to provide protection for the user up to the maximum allowed weight, the entire security line (anchorage – fall arrester – harness) must be HIGH CAPACITY RANGE 150 KG.

Attention: the weakest element in the chain always determines the maximum resistance for the entire system.

Use of the Tractel® fall arrest equipment on sharp edges:

Tractel fall protection PPE is intended for working at height, where there is a risk of falling vertically, as well as for working at height on a horizontal surface, where there is a risk of falling over a sharp edge (roof terrace use.)

Therefore, our ranges blocfor™*, stopfor™* and lanyards* are certified according to the sheets:

- **CNB/P/11.060** (for the blocfor range)
- **CNB/P/11.074** ((for the lanyards range)
- **CNB/P/11.075** (for the stopfor range)

Tractel products are tested to stop the fall of a person, including safety equipment and tools, weighing up to 150 kg.



Collective protection



Guard Trac guardrail system

Guard Trac, the collective protection by Tractel is offering more configurations to meet a wide range of application. From the very robust Guard Trac plus version to Guard Trac WPS with the smallest footprint. Here is a look at the different versions Tractel can offer:

- Guard Trac plus
- Guard Trac (with or without toe-board, with or without adjustable barriers)
- Guard Trac WP & WPS

Our Guard Trac guardrail systems have a completely unique design, offering a simple and fast way to secure your roof, without jeopardising your waterproofing. Thanks to the patented design of our bracket and the integrated design, the entire system can be installed without a single tool.

The short bracket of the guard trac range reduces the footprint of the guardrail offering two significant advantage: the trip hazard risk is reduced and more space is available for the installation of other equipments inside the secured area (such as solar panels).

Guard Trac™ is perfectly suited and certified for use in a variety of applications:

- Solar panels
- Roof replacements / repair
- HVAC replacement and repair
- Rail car platforms
- Ramps
- Construction sites
- Dig sites
- Mezzanines
- Assembly and break areas
- Hoist areas

Guard Trac™ a simple and fast way to secure your rooftop:

SAFETY ON JOBSITE:

- Short counter-weight support
- Trip hazard reduced
- Limited number of components
- Lightweight components
- Any angle between 30° - 330°

INSTALLATION:

- Tool free
- Quick (30% faster than comparable solutions)
- Easy installation and customisable on site.

Guard Trac guardrail

Guard Trac

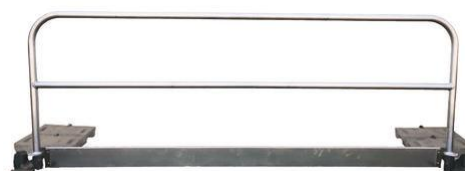
EN 13374-A:2019

Guard Trac benefits and features:

- No risk of water penetration as no drilling is required for the installation.
- Thanks to our unique design, the installation is completely tool free.
- **Toe board option - when a parapet is not present**
- Fast Installation: 1 meter per minute.
- Compact footprint - ideal for installations with limited space
- Lightweight design
- The Guard Trac™ system can be installed on flat and inclined surfaces.
- The brackets are supplied in red. (other colours are available upon request.)
- The barriers are available in the lengths: 1.5 - 2 - 2.5 and 3 meters.
- The barriers are delivered in a natural aluminium finish (other colours are also available upon request.)
- The Guard Trac™ conforms and is certified according to **EN 13374-A:2019**.
- The inclination is limited to 10°.

COMPLETE RANGE:

- Range of standard barriers (1.5 - 2 - 2.5 and 3 m)
- Toe-board option
- Adjustable barrier & gate
- Easy stock management
- No additional components required



3m guard trac™ barrier with toe board

Model	Weight (kg)	Product Code	Price
Standard barrier 3m	8.8	272047	€227.00
Standard barrier 2.5m	8.2	46189	€556.00
Standard barrier 2m	7.1	272327	€175.00
Standard barrier 1.5m	6	272337	€157.00
Standard barrier 3m with toe board	14.4	272347	€275.00
Standard barrier 2.5m with toe board	12.3	272357	€270.00
Standard barrier 2m with toe board	10.3	272367	€287.00
Standard barrier 1.5m with toe board	8.3	272377	€236.00
Adjustable barrier 1.50 - 2.25m	8	272027	€364.00
Adjustable barrier 2.25 - 3.00m	9.7	272017	€353.00
Latch	0.1	227015	€10.50
Double bracket for Guard Trac™ and Guard Trac™ Plus	7	217447	€47.00
Counterweight 25kg	25	186938	€19.50
Counterweight interface	0.1	272077	€2.30



Guard Trac guardrail

Guard Trac WP & WPS

EN 13374-A:2019 - Con veletta

The **WP & WPS** versions: an extension of our **Guard Trac** range EN 13374-A:2019.

A lot of roofs are built with an integrate parapet. Therefore, we decided to evolve our Guard Trac solution and use these existing parapets.

The parapet ensures that the Guard Trac system installed on the roof stay in place and can't slip toward the outside of the roof.

Using the parapet as part of the Guard Trac system help to simplify the system.

- Guard Trac **WP** = Guard Trac With Parapet
- Guard Trac **WPS** = Guard Trac With Parapet & Short arm.

Thanks to this evolution, the angle between 2 barriers is now completely flexible and can be adapted on site to any angle of the building where the system is installed.

The **WPS** offers a **very narrow solution**: it takes only **0.52m** from the parapet to the back of the counterweight.

These versions require the presence of a parapet with a minimum height of 150mm as they will be in contact with the parapet.



Model	Weight (kg)	Product Code	Price
Barrier Guard Trac™ WP & WPS 3m	9.4	272567	€187.00
Barrier Guard Trac™ WP & WPS 2.5m	8.2	272557	€172.00
Barrier Guard Trac™ WP & WPS 2m	7.1	272547	€156.00
Barrier Guard Trac™ WP & WPS 1.5m	6	272537	€96.50
Long, fully equipped double bracket	7	217447	€60.00
Short, fully equipped double bracket WPS	5	272507	€71.50
Counterweight 25kg	25	186938	€21.00
Counterweight interface	0.1	272077	€2.00



Order products on day 1, will be shipped no later than day 2.



Order products on day 1, will be shipped no later than day 6. Maximum quantities apply for this service.



Available on request. Please enquire about delivery times of these items.

Guard Trac guardrail

Guard Trac Plus

EN 13374-A:2019 & EN ISO14122-3:2016

The Guard Trac Plus version conforms and is certified to **EN 13374-A:2019 and the EN ISO 14122-3:2016**.

Its the strongest version of our Guard Trac range, thanks to the additional counterweight and welded clamp.

The deformation, when the system is loaded, is the smallest of our Guard Trac range.

This makes Guard Trac Plus the most suitable solution of our guardrail system in difficult environment.

The Guard Trac Plus system can be installed on flat and inclined surfaces. The inclination is limited to 10°.

Tractel® is one of the first manufacturer to certify and put on the market guardrails according to the standard EN ISO 14122-3 version 2016. In this new version, only 2 additional criteria were added, but their impact on the design are important.

Model	Weight (kg)	Product Code	Price
Standard barrier 3m	8.1	272007	€322.00
Short barrier 2m	6.6	272057	€211.00
Adjustable barrier 2.00 - 2.40m	11.2	7039	€340.00
Latch	0.1	227015	€11.00
Double bracket for Guard Trac and Guard Trac Plus	7	217447	€60.00
Single bracket for Guard Trac Plus	4,2	217437	€41.00
Counterweight interface	0.1	272077	€2.00
Counterweight 25kg	25	186938	€21.00
Welded clamp	1.5	227045	€48.00

Adjustable gate for Guard Trac & Guard Trac Plus

Model	Weight (kg)	Product Code	Price
Adjustable gate for Guard Trac and Guard Trac Plus	5.8	272067	€725.00



Order products on day 1, will be shipped no later than day 2,

Order products on day 1, will be shipped no later than day 6. Maximum quantities apply for this service.

Available on request. Please enquire about delivery times of these items.



Het kiezen van uw valbeveiliging PBM

Tractel® biedt een volledig assortiment persoonlijke beschermingsmiddelen (PBM's) aan om de steun en veiligheid te bieden die nodig zijn om u te beschermen tegen het risico van vallen bij het werken op hoogte. Met meer dan 70 jaar ervaring in de industrie heeft Tractel® een cultuur van veiligheid opgebouwd door de vindingrijkheid in het vervaardigen van innoverende en hoogkwalitatieve producten.

BASISVOORSCHRIFTEN VOOR PBM

- PBM's moeten geschikt zijn voor de gebruiker.
- De PBM's moeten goed worden onderhouden en opgeborgen.
- De gebruiker moet opgeleid en/of geïnformeerd zijn in het gebruik, de zorg en het onderhoud van de uitrusting.
- De werkgever moet de voorschriften van de PBM evalueren.
- Werknemers moeten verlies of beschadiging van de PBM melden.
- PBM's moeten compatibel zijn met de gebruikte systemen.

STEL UW VALBEVEILIGINGSSYSTEEM SAMEN

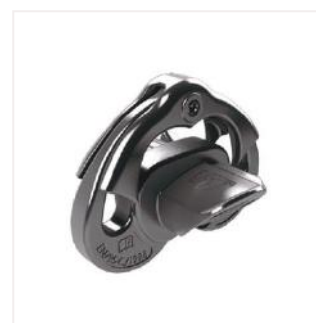
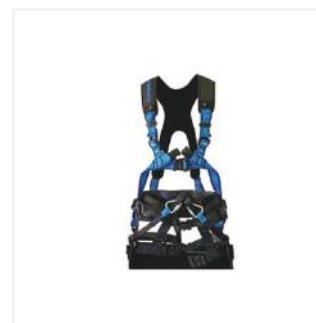
Om u bij een val te beschermen, moet u beschikken over een valbeveiligingssysteem dat u kan beschermen en ondersteunen.

Dit valbeveiligingssysteem moet het volgende bevatten:

- Verankering
- Valbeveiliger (touwklem, automatisch valstopapparaat, energieabsorber)
- Een veiligheidsharnas

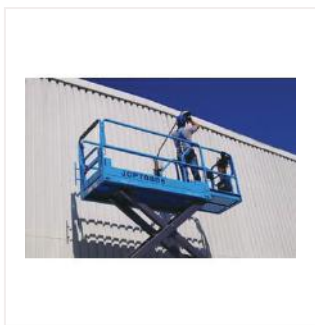
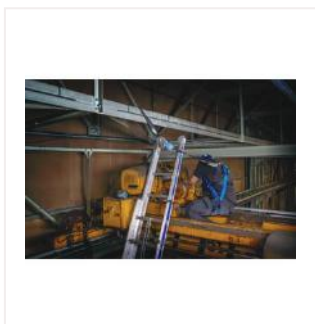
Uw valbeveiligingssysteem kan worden aangevuld met een veiligheidshelm die uw bewegingen binnen een beveiligde zone beperkt

Tijdens het werken op hoogte met valbeveiligingsapparatuur moet een helm worden gedragen die gecertificeerd is volgens EN 397, met kinband, 4 bevestigingspunten en die geclassificeerd is als PBM categorie III.





Fall protection kits



Tractel propose a wide range of fall protection kits.

These comprehensive solutions ensure that your workers feel maximally protected and safe when working at height. Using them according to the guidelines guarantees minimizing the risks of life and health hazards caused by falls.

Although a fall arrest solution must above all protect the user against the risk of falling from a height, it must also take into account many other factors:

- The comfort of the user,
- The speed of setting up,
- Ease of use,
- The normal working posture,
- The mobility needed for working,
- Access to anchor points.

In choosing a Tractel fall arrest kit the professional is sure to choose the optimal fall arrest solution for its business sector: the ergonomic suitability of this kit will guarantee careful use and, therefore optimum safety.

** Tractel®, in addition to the kits presented in this price range, will study, depending on the quantity required, kits adapted to other business sectors, or for specific uses. If interested, please do not hesitate to contact us.*

Eco-set

Tractel® Eco-set

- HT10 harness, size M
- LSA 1.5m-10-53 lanyard
- PPE bag



Model	Product Code	Model Name	Price
Eco-set	354060	Eco-set	€152.40

Basic-set

Tractel® basic set

- HT22 harness, size M
- LSA 1.5m-10-51 lanyard
- PPE bag



Model	Product Code	Model Name	Price
Basis set	354070	Basic set	€183.90

Luxury set

Luxury set Tractel® :

- HT 22 Ba harness, size M
- LSAD 1.5 m-10-51-51 lanyard
- AS30S-1 anchor sling
- Combipro, 30 litres



Model	Product Code	Model Name	Price
Luxury set	354100	Luxury set	€281.50



Order products on day 1, will be shipped no later than day 2



Order products on day 1, will be shipped no later than day 3. Maximum quantities apply for this service.



Available on request. Please enquire about delivery times of these items.

Tractel® Aerial platform-set

- HT 22 harness, size M
- AS30S-1 anchor sling
- Combipro, 30 litres

Two types of blocfor:

- blocfor 1.8A ESD-47-51 (version A)
- blocfor 1.8B ESD 47-51 (version B)



Model	Product Code	Price
Aerial platform set - A	354110	€306.00
Aerial platform set - B	356800	€300.00

Tractel® Aerial platform-set

- HT 56A harness, size M
- AS30S-1 anchor sling
- Combipro, 30 litres

Two types of blocfor:

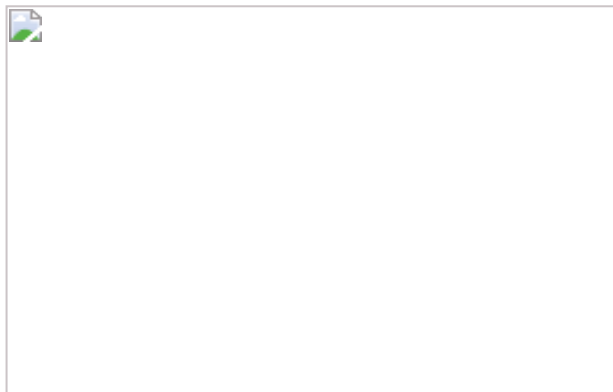
- blocfor 1.8A ESD-47-51 (version A)
- blocfor 1.8B ESD 47-51 (version B)



Model	Product Code	Price
Aerial platform set - A	355560	€425.50
Aerial platform set - B	356810	€416.50

Tractel® Multi-set

- HT 46 harness, size M
- RLXD 11 10
- LDA 12 2 m-10-51 lanyard
- AS30S-1.5 anchor sling
- stopfor KSP 30 M41
- Combipro, 30 litres



Model	Product Code	Price
Multi-set	354090	€495.50



Order products on day 1, will be shipped no later than day 2



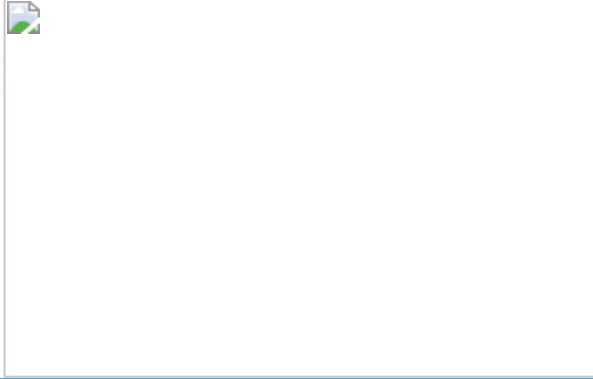
Order products on day 1, will be shipped no later than day 3. Maximum quantities apply for this service.



Available on request. Please enquire about delivery times of these items.

Tractel® Pro-set

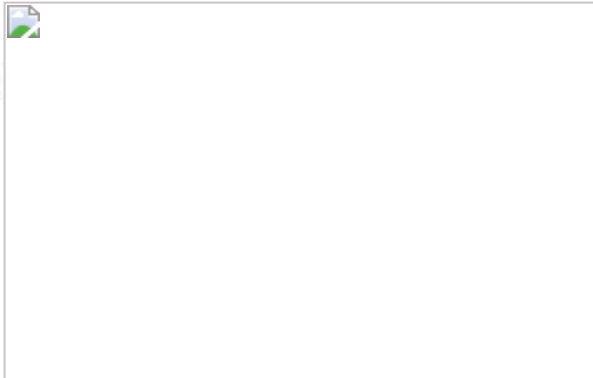
- HT 22 BA harness, size M
- blocfor 10 ESD M10-47
- AS30S-1,5 anchor sling
- Combipro, 30 litres



Model	Product Code	Price
Pro-set	354080	€622.50

Tractel® Industrial set

- HT 22 BA harness, size M
- blocfor 6ESD M10-47
- AS30S-1.5 anchor sling
- LSA 1.5 m-10-51 lanyard
- Combipro, 30 litres



Model	Product Code	Price
Industrial set	354120	€596.50

Tractel® Vertical set

- HT Promast, size M
- LDAD 11 1.5 m-10-51-51
- AS30S-1,5 anchor sling
- RLXD 11 10, 20 or 30 meters
- stopfor K LS 30 M41
- LCM 05 2 m M41 positioning line
- Combipro, 60 litres



Model	Product Code	Price
Vertical - 10 metres	354130	€822.50
Vertical - 20 metres	354140	€865.50
Vertical - 30 metres	354150	€898.00

Order products on day 1, will be shipped no later than day 2

Order products on day 1, will be shipped no later than day 3. Maximum quantities apply for this service.

Available on request. Please enquire about delivery times of these items.

Harness details

Attachment points



DORSAL

Fall arrest attachment point, marked with the letter "A", present on all EN 361-compliant harnesses.



STERNAL

EN 361-compliant fall arrest attachment point, marked with the letter "A", and "A/2".



THORACIC

EN 361-compliant fall arrest attachment point, marked with the letter "A", and EN 358-compliant work positioning point.



UMBILICAL

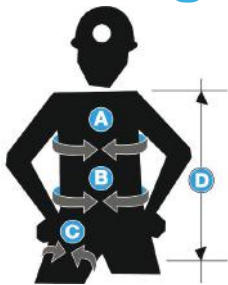
Attachment point for work while suspended (rope access work) EN 813.
Cannot be used as an anchor point for fall arrest purposes.



LATERAL

Attachment point for EN 358-compliant work positioning systems.
Cannot be used as an anchor point for fall arrest purposes.

Selecting the correct harness size



	S	M	XL	XXL*
A	60 - 100	80 - 120	100 - 160	130 - 170
B	75 - 100	90 - 110	100 - 150	130 - 170
C	45 - 60	45 - 70	45 - 80	45 - 90
D	55 - 65	65 - 80	80 - 90	90 - 100

en cm

*XXL sizes are only available for specific models, indicated directly on the pages concerned.

Harness series

Specialist series

Designed to meet specific job requirements and extended use - EN358 / EN361 / EN813



HT Access

HT Promast

HT Secours

HT Transport

HT Greentool

HT Electra

HT Easyclimb

HT 55 A CS

HT ladytrac

Expert series

Generalist harnesses designed for daily use – EN361



HT56

HT55

HT120

HT46

HT45

HT45 met vest

HT44

Pro series

Designed for regular use – EN361



HT34

HT43

HT42

HT22

HT22 met vest

Essential series

Designed for occasional use - EN361



HT21

HT11

HT10

Specialist series

NIEUW

HT Access

EN 361 - EN 358 - EN 813



The HT Access is a versatile and comfortable safety harness. It is perfect for rope access, rescue or fall arrest applications. We designed the HT Access to be the day-to-day working tool for everyone working at height.

Working in comfort reduces fatigue and the HT Access has been designed to do just that. This has a positive impact on the efficiency of the work carried out.

Comfort and Fit

The HT Access was designed to maximise the user comfort. The belt and Y-pad are made with high-density foam to reduce fatigue during long working operations. The fabric on the inner lining reduces perspiration. We have also added padding on the belt, back pad and the leg straps.

The innovative design of the shoulder straps allows free movement of the shoulders. The left shoulder strap includes an adjustable automatic buckle to allow for easy adjustment and removal of the harness. The shoulder straps connect to the belt with a double safety connector.

A well-fitting harness is both comfortable and safe. We have made sure all that all straps that need to be adjusted are fitted with easy-to-use buckles. Please find more information about making sure your harness fits well here.

Putting the HT Access on is easy and quick. Traditional safety harnesses are put on like a jacket, but with this harness you put it on like a pair of trousers.

The HT Access is available in sizes S / M / XL / XXL

Connection points

While working at height, users want clarity. The sternal and back fall arrest connection points are in grey and equipped with a fall indicator. The work positioning and the umbilical rope access connection points are in blue. All connection points are made from aluminium and have a 65 mm diameter to increase the safety and comfort.

The wide umbilical connection point can easily be used with multiple rope access accessories.

When the work positioning connection points are not required, they can be folded away.

The 4 semi-rigid loops on the belt can be used to connect tools.

Online access to all important documents

Like all Tractel fall-protection equipment, the HT Access is connected to our Tracinfo platform. By scanning a QR Code on the harness, you can access all important documentation specific to your harness. Tracinfo can also be used to store details of periodic inspections and to set automatic reminders for future inspections.

A wide range of accessories can be combined with the HT Access harness. Please refer to the rope access equipment section.

Comfort	
Frequency of use	
Integrated options	

	S	M	XL	XXL	Price
HT Access	86512	86522	86532	87012	€310.00



Semi-rigid loops on the belt



Shoulder adjustment and automatic buckle



Sternal connection point



Umbilical connection point

Specialist series

Harness HT Promast

EN361 - EN358 - EN813



Harness for rope access work. Designed for working in a suspended position for long periods of time.

- 1 dorsal anchorage with a big forged D to eliminate the risk of carabiner disconnection.
- 1 sternal anchorage textile loop.
- 1 umbilical suspension point textile loop.
- 2 lateral belt-attachment points.
- X-pad comfort backrest: Breathable and flexible - it gives the harness shape to make it easier to put on.
- Quick-release buckles.
- Sliders for strap adjustment. Cannot be removed for security reasons.
- Fall indicator on each attachment point.
- High-comfort, mountaineering design leg straps

	S	M	XL	Price
HT Promast - Quick-release buckles	65242	65252	65262	€290.00



Harness HT Secours

EN361 - EN358 - EN813



This harness offers considerable freedom of movement for rope access work. Designed for working in suspension.

- 1 dorsal with a big forged D anchorage to eliminate the risk of carabiner disconnection.
- 1 sternal anchorage.
- 1 umbilical suspension point textile loop.
- 2 lateral belt-attachment points.
- X-pad comfort back pad: Breathable and flexible - it gives the harness shape to make it easier to put on.
- Standard or Quick release buckles.
- Sliders for strap adjustment. Cannot be removed for security reasons.
- Fall indicator on each attachment point.
- High-comfort, mountaineering design leg straps (adjustable slider).

	S	M	XL	XXL	Price
HT Secours - Standard buckles	66132	66142	66152	-	€225.00
HT Secours - Quick-release buckles	65882	65892	65902	80812	€253.00



● Order products on day 1, will be shipped no later than day 2

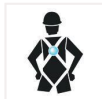
● Order products on day 1, will be shipped no later than day 3. Maximum quantities apply for this service.

Available on request. Please enquire about delivery times of these items.

Specialist serie

Harness HT Transport

EN361 - EN358 - EN813



Harness for working on pylons, ensuring easy climbing, staying in position on the job and designed for working in suspension.



- 1 dorsal with a big forged D anchorage to eliminate the risk of carabiner disconnection.
- 1 sternal anchorage textile loop.
- 1 umbilical suspension point textile loop.
- 2 lateral belt-attachment points.
- X-pad comfort back pad: Breathable and flexible - it gives the harness shape to make it easier to put on.
- Quick-release buckles.
- Sliders for strap adjustment. Cannot be removed for security reasons.
- Fall indicator on each attachment point.
- High-comfort, mountaineering design leg straps (adjustable slider).

	S	M	XL	XXL	Price
HT Transport - Quick-release buckles	65942	65952	65962	-	€319.00
HT Transport - Quick-release buckles with Elastrac	65972	65982	65992	80832	€339.00



Work Seat

For working in a seated position for a long period of time. The rigid sides avoid thigh compression. It is equipped with three tool holders. It can be installed by the user. This work seat is compatible with the HT Secours, HT Access, HT Promast and HT Transport.

Model	Product Code	Price
Work seat	65762	€181.00

● Order products on day 1, will be shipped no later than day 2

● Order products on day 1, will be shipped no later than day 3. Maximum quantities apply for this service.

○ Available on request. Please enquire about delivery times of these items.

Specialist series

Harness HT Greentool

EN358, EN361, EN813



Arborist harness for tree surgeons, equipped with an ergonomic work seat.

- 1 dorsal with a big forged D anchorage to eliminate the risk of carabiner disconnection.
- 1 sternal anchorage textile loop.
- 1 umbilical suspension point textile loop.
- 2 lateral belt-attachment points.
- X-pad comfort back pad: Breathable and flexible - it gives the harness shape to make it easier to put on.
- Quick-release buckles.
- Sliders for strap adjustment. Cannot be removed for security reasons.
- Fall indicator on each attachment point.
- High-comfort, mountaineering design leg straps (adjustable slider).



	S	M	XL	XXL	Price
HT Greentool - Quick-release buckles	66032	66042	66052	80772	€400.00

Harness HT Electra

EN361 - EN358



Harness designed for working in the utilities industry. The HT Electra belt rotates inside the harness to allow for freedom of rotation when working on pylons.

- 1 dorsal with a big forged D anchorage to eliminate the risk of carabiner disconnection.
- 1 sternal anchorage textile loop.
- 2 lateral belt-attachment points.
- X-pad comfort back pad: Breathable and flexible - it gives the harness shape to make it easier to put on.
- Quick-release buckles.
- Sliders for strap adjustment. Cannot be removed for security reasons.
- Fall indicator on each attachment point.
- High-comfort, mountaineering design leg straps (adjustable slider).



	S	M	XL	XXL	Price
HT Electra - Quick-release buckles	65272	65282	65292	76012	€310.00
HT Electra - Quick-release buckles with Elastrac	65912	65922	65932	80722	€336.00

Specialist series



Harness HT Easyclimb

EN361 - EN358



Harness designed for climbing up and down ladders equipped with EN 353-1 fall arrester, rails or wire rope. Its unique sternal attachment point (Tractel patent), situated on the belt, makes ladder movement easy.

- 1 dorsal with a big forged D anchorage to eliminate the risk of carabiner disconnection.
- 2 thoracic forged D anchorages.
- 1 attachment point umbilical forged D (anti roll-back).
- 2 lateral belt-attachment points.
- X-pad comfort back pad: Breathable and flexible - it gives the harness shape to make it easier to put on.
- Quick-release buckles.
- Sliders for strap adjustment. Cannot be removed for security reasons.
- Fall indicator on each attachment point.
- High-comfort, mountaineering design leg straps (adjustable slider).

Comfort	<div style="width: 100%; height: 10px; background-color: #4CAF50;"></div>
Frequency of use	<div style="width: 100%; height: 10px; background-color: #4CAF50;"></div>
Integrated options	<div style="width: 90%; height: 10px; background-color: #4CAF50;"></div>

	S	M	XL	XXL	Price
HT Easyclimb - Quick-release buckles	66452	66462	66472	80712	€376.00

Order products on day 1, will be shipped no later than day 2

Order products on day 1, will be shipped no later than day 3. Maximum quantities apply for this service.

Available on request. Please enquire about delivery times of these items.

Specialist series

Harness HT55 Confined Space

EN 361



The HT55 harness can be used for confined space. It is particularly suited for use with a respiratory system which slides easily onto the belt.

Enhanced comfort is ensured by the back XPad, the mountaineering-type thigh straps, and the linkage between the shoulder straps and thigh straps by connecting buckles.

The harness is very easy to slip on as it opens fully at the front with the X-Pad preserving the harness form.

- Universal and very comfortable harness, automatic with extra comfort for long periods of work
- 1 dorsal with a big forged D anchorage to eliminate the risk of carabiner disconnection
- 1 sternal anchorage
- 1 special belt for respiratory system
- 1 comfort sub-pelvic strap
- Sliders for strap adjustment. Cannot be removed for security reasons
- 3 adjustment points
- Independent mountain leg strap High-comfort
- X-pad comfort back pad: Breathable and flexible - it gives the harness shape to make it easier to put on.
- Fall indicator in each anchorage
- Label holder



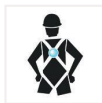
	S	M	XL	Price
HT55 AE Confined space	83902	83912	83922	€210.00

Ladytrac harness

A harness designed for women, a patented design by Tractel.



EN361



At last, a harness designed for women:

- IPAF Innovation Award (International Powered Access Federation), Bauma 2010
- 1st Prize for Innovation, Expoprotection

A design adapted to the female form:

- The position of the straps are adapted to a woman's shape
- No friction on the upper body caused by the positioning of the straps
- The jacket fits the user's shape
- Comfort dedicated to women: light belt with elastic canvas

Increased safety in case of a fall:

- Much lower risks of lesions to the breast caused by contact with the straps in the advent of a fall
- The ladytrac patented concept ensures an ideal position of the straps on a woman's body
- Universal and very comfortable harness
- 1 dorsal forged D anchorage
- 3 Adjustment points
- Comfortable elastic jacket

Comfort



Frequency of use



Integrated options



In addition, the Ladytrac B version has:

- 2 belt attachment points (lateral)
- 4 Adjustment points

	M	XL	Price
HT Ladytrac - Quick-release buckles	55882	55892	€205.00
HT Ladytrac B version - Quick-release buckles	55282	55292	€244.00



Order products on day 1, will be shipped no later than day 2



Order products on day 1, will be shipped no later than day 3. Maximum quantities apply for this service.



Available on request. Please enquire about delivery times of these items.

Harnesses HT56 and HT55

These harnesses are designed for a wide range of applications.

Enhanced comfort is ensured by the back X-Pad, the mountaineering-type thigh straps and the linkage between the shoulder straps and thigh straps by connecting buckles.

The harnesses are very easy to put on as it opens fully at the front with the X-Pad preserving the harness form.

- Universal and very comfortable harness automatic with extra comfort for long periods of work
- 1 dorsal with a big Forged D anchorage to eliminate the risk of carabiner disconnection & 1 sternal anchorage.
- 2 thoracic anchorage forged D for the HT56.
- 1 comfort sub-pelvic strap / 3 adjustment points.
- Sliders for strap adjustment. Cannot be removed for security reasons.
- Independent mountain leg strap High-comfort.
- X-pad comfort back pad: Breathable and flexible - it gives the harness shape to make it easier to put on.
- Fall indicator on each anchorage.
- Label holder: ideal to customise the harness with a name, logo, information, etc..

Harness HT56

EN361

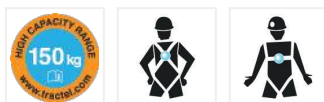


	S	M	XL	XXL	Price
HT56 - Standard buckles	65302	65312	65322	-	€137.00
HT56A - Quick-release buckles	65332	65342	65352	80682	€182.00
HT56A - Quick-release buckles with Elastrac	65682	65692	65702	80692	€204.00



Harness HT55

EN361



	S	M	XL	XXL	Price
HT55 - Standard buckles	65592	65602	65612	-	€125.00
HT55A - Quick-release buckles	65622	65632	65642	80632	€163.00
HT55A - Quick-release buckles with Elastrac	65652	65662	65672	-	€192.00





Harness HT120

EN361



Harness designed for movement (up or down) on structures equipped with an EN 353.1 rail or cable fall arrester device equipped with an approved fall arrest umbilical anti-fallback system attachment point.

The HT120 harness is equipped with an approved fall arrest umbilical attachment point. This attachment point, while being fall arrest approved, provides comfortable support going up or down. HT 120 is the only harness on the market that offers this type of attachment point.

The HT120 harness is particularly adapted for climbing on ladders equipped with a rail-mounted FABA type fall arrester, whether or not including a tractelift climbing aid system.

It's patented design prevents the user from falling backwards in the event of a fall, eliminating the risk of serious back injuries

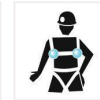
- 1 dorsal attachment point.
- 2 thoracic attachment points.
- 1 umbilical attachment point.

	S	M	XL	Price
HT120 - Standard buckles	61702	61712	61722	€185.00



Harness HT46

EN361



- Comfortable for long periods of work
- 1 dorsal "Forged D clip", 1 sternal and 2 thoracic ones
- 5 adjustment points.
- 1 sub-pelvic strap

- Sliders for strap adjustment. Cannot be removed for security reasons.
- High comfort independent mountain leg strap
- Label holder.

	S	M	XL	XXL	Price
HT46 - Standard buckles	55042	55052	55062	-	€100.00
HT46A - Quick-release buckles	52972	52982	52992	80552	€149.00
HT46A - Quick-release buckles with Elastrac	54952	54962	54972	-	€174.00

● Bestel producten op dag 1, worden uiterlijk op dag 2 verzonden.

● Bestel producten op dag 1, worden uiterlijk op dag 3 verzonden. Hiervoor gelden maximale hoeveelheden.

○ Op aanvraag verkrijgbaar. Informeer naar de levertijden van deze artikelen.

Harness HT45

EN361



- Comfortable for long periods of work
- 1 dorsal "Forged D clip", 1 sternal anchorage
- 5 adjustment points.
- 1 sub-pelvic strap.
- Sliders for strap adjustment. Cannot be removed for security reasons.
- Label holder.

	S	M	XL	XXL	Price
HT45 - Standard buckles	55012	55022	55032	75532	€92.00
HT45A - Quick-release buckles	53072	53082	53092	-	€135.00
HT45 AE - Quick-release buckles with Elastrac	54922	-	-	-	€159.00
HT45 AE - Automatic Buckles - Elastrac	-	54932	54942	-	€160.00



HT45 harness with orange/yellow vest

EN361 - EN471

- Big confort for a long work.
 - 1 dorsal "Forged D" anchorage.
 - 1 sternal anchorage.
 - 5 adjustment points.
 - 1 subpelviene strap.
 - Orange jacket : comfortable lightweight high-visibility vest - **Already installed on the harness.**
 - Sliders for strap adjustment. Cannot be removed for security reasons.
 - Label holder.
 - EN361.
- This product comes equipped with [Tracinfo](#), an online service that simplifies the way you access product documentation. With [Tracinfo](#), you can get instant access to manuals, certificates, and more with just a few clicks.

	M	XL	Price
HT45 with orange vest	83822	83832	€209.00

	M	XL	Price
HT45 with yellow vest	83802	-	€209.00
	-	83812	€210.00



Harness HT44

EN361



- Comfortable for long periods of work
- 1 dorsal "Forged D clip" and 2 thoracic ones.
- 5 adjustment points.
- 1 sub-pelvic strap.
- High comfort independent mountain leg strap
- Sliders for strap adjustment. Cannot be removed for security reasons.
- Label holder.

	S	M	XL	Price
	44102	44112	44122	€85.00

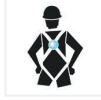


Pro series



Harness HT34

EN361 - EN358



- Universal harness with belt.
- 1 dorsal forged D anchorage.
- 1 sternal anchorage.
- 2 thoracic anchorage.
- 2 lateral hitch D rings.
- 6 adjustment points.
- 1 sub-pelvic strap.

	S	M	XL	Price
HT34 - Standard buckles	35352	35362	35372	€121.00
HT34 A - Quick-release buckles	40782	40792	40802	€192.00



Harness HT43

EN361



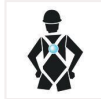
- 1 dorsal forged D anchorage.
- 1 sternal textile loop anchorage.
- 2 thoracic anchorage.
- 5 adjustment points.
- 1 sub-pelvic strap.

	S	M	XL	Price
HT43 - Standard buckles	33302	33292	33312	€79.00
HT43 A - Quick-release buckles	33332	33322	33342	€141.00



Harness HT42

EN361



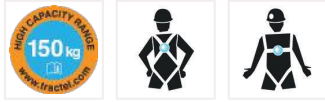
- 1 dorsal forged D anchorage.
- 2 thoracic anchorage.
- 5 adjustment points.
- 1 sub-pelvic strap.

	S	M	XL	Price
HT42 - Standard buckles	31622	10042	31082	€79.00

Pro series

Harness HT22 with X-pad comfort back pad

EN361



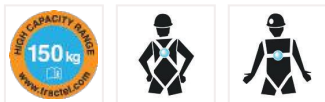
- 1 dorsal forged D anchorage.
- 1 sternal textile loop anchorage.
- 5 adjustment points.
- 1 sub-pelvic strap.
- Sliders for strap adjustment. Cannot be removed for security reasons.
- X-pad comfort back pad: Breathable and flexible - it gives the harness shape to make it easier to put on.

	M	XL	XXL	Price
HT22 with X-pad	69272	69292	80322	€103.00



Harness HT22

EN361



- 1 dorsal forged D anchorage.
- 1 sternal textile loop anchorage.
- 5 adjustment points.
- 1 sub-pelvic strap.
- Sliders for strap adjustment. Cannot be removed for security reasons.

	S	M	XL	XXL	Price
HT22 - Standard buckles	31592	14002	28502	79412	€65.50
HT22 A - Quick-release buckles	31832	31822	31842	-	€94.00



Order products on day 1, will be shipped no later than day 2

Order products on day 1, will be shipped no later than day 3. Maximum quantities apply for this service.

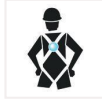
Available on request. Please enquire about delivery times of these items.

Pro series



HT22 harness with orange/yellow vest

EN361 - EN471



- 1 dorsal forged D anchorage.
- 1 sternal textile loop anchorage.
- 5 adjustment points.
- 1 sub-pelvic strap.
- Sliders for strap adjustment. Cannot be removed for security reasons.
- Orange jacket : comfortable lightweight high-visibility vest - **Already installed on the harness.**

	M	XL	Price
HT22 with orange vest	83782	83792	€190.00

	M	XL	Price
HT22 with yellow vest	83762	83772	€190.00

Comfort	<div style="width: 20px; height: 10px; background-color: #90EE90; border: 1px solid #000;"></div>
Frequency of use	<div style="width: 20px; height: 10px; background-color: #90EE90; border: 1px solid #000;"></div>
Integrated options	<div style="width: 20px; height: 10px; background-color: #90EE90; border: 1px solid #000;"></div>



Harness HT22R

EN361 - EN1497

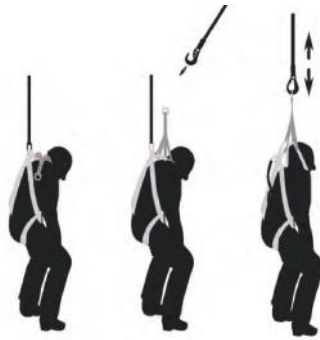


Universal harness with standard buckles and rescue straps.

The HT22R is a harness specifically designed to rescue an operator working in a confined space. It is equipped with an emergency strap attached to the shoulder straps. This strap allows the operator to be raised in a perfect vertical position which facilitates the exit of the body through the manhole.

- 1 dorsal anchor point.
- 1 sternal anchorage point in textile loop.
- 1 sub-pelvic strap.
- 5 adjustment loops.

	S	M	XL	Price
HT22R	44952	44962	44972	€80.00



HT9 Evacuation triangle

EN1497



Special harness for evacuation operations, easy to install even when a person is lying on the ground.

With its 3 adjustment options, the HT9 can be used on both children and adults.

Model	Product Code	Price
HT9 Evacuation Harness	17622	€147.00

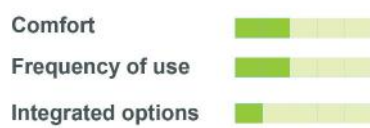


Order products on day 1, will be shipped no later than day 2

Order products on day 1, will be shipped no later than day 3. Maximum quantities apply for this service.

Available on request. Please enquire about delivery times of these items.

Essential series



Harness HT21

EN361



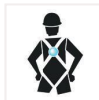
- 1 dorsal forged D anchorage.
- 1 sternal textile loop anchorage.
- 3 adjustment points.
- 1 sub-pelvic strap.

	S	M	XL	Price
HT21 - Standard buckles	31582	10012	29722	€59.00



Harness HT11

EN361



- 1 dorsal forged D anchorage.
- 3 adjustment points.
- 1 sub-pelvic strap.

	S	M	XL	Price
HT11 - Standard buckles	31192	10002	31182	€49.00



Harness HT10

EN361



- 1 dorsal forged D anchorage.
- Chest strap fitted with quick-release buckle.
- 3 adjustment points.

	M	XL	Price
HT10 - Standard buckles	17892	29702	€43.00

Correctly fit a harness

1

Hold the harness up by the rear "D" ring and check for any twists or tangles.



2

Put both of your arms through the shoulder straps.



3

Connect the front buckle and tighten.



4

Connect the leg straps and tighten.



5

Adjust the straps. The harness should be snug but not overly tight.



6

The harness is now fitted correctly. The rear "D" ring should be between the shoulder blades and the sub pelvic strap should be positioned under the buttocks. If in doubt ask a colleague to check your harness.



Scan deze QR-code om onze website (tractel.com) te bezoeken en de video te bekijken die laat zien hoe u uw harnas aantrekt en afstelt.



Twee minuten de tijd nemen om deze video te bekijken kan het verschil betekenen tussen veiligheid en letsel bij een val.

Belts

CE restraint belts feature side attachment points for a support lanyard and are equipped with three tool bag buckles. The size is easily and quickly adjusted by a single set of loops. The belt is held in place with plastic loops. They can be combined with any harness from our range, using belt loops, making a fully integrated belt-harness solution.



Safety Belt CE06

EN358

- Two wide easy access forged steel fastening buckles of 60mm.
- Large comfortable foam backpad.

Model	Size (Apparel)	Product Code	Price
Safety Belt CE06 - Standard Buckles	S	80242	€58.00
Safety Belt CE06 - Standard Buckles	M	80252	€58.00
Safety Belt CE06 - Standard Buckles	XL	80262	€58.00
Safety Belt CE06 - Quick-release buckles - Size S	S	80272	€78.00
Safety Belt CE06 - Quick-release buckles - Size M	M	80282	€78.00
Safety Belt CE06 - Quick-release buckles - Size XL	XL	80292	€78.00



Safety Belt CE01

EN358

- Belt fits all harnesses with 2 pressed D ring of 45mm.

Model	Size (Apparel)	Product Code	Price
Safety Belt CE01 - Standard Buckles	S	32882	€55.00
Safety Belt CE01 - Standard Buckles	M	10052	€55.00
Safety Belt CE01 - Standard Buckles	XL	10062	€55.00
Safety Belt CE01 - Quick-release buckles	S	33202	€79.00
Safety Belt CE01 - Quick-release buckles	M	33212	€79.00
Safety Belt CE01 - Quick-release buckles	XL	33222	€79.00



Order products on day 1, will be shipped no later than day 2



Order products on day 1, will be shipped no later than day 3. Maximum quantities apply for this service.



Available on request. Please enquire about delivery times of these items.

Accessories

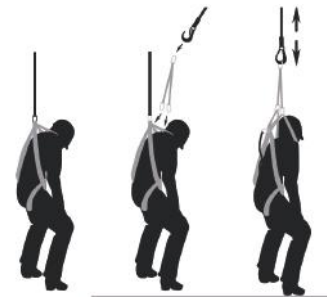
Rescue lanyard option R

Rescue lanyard with 3 connectors M10 to evacuate a casualty. This 60 cm long webbing extension fits all Tractel harnesses.

It is fixed directly onto the shoulder straps of the harness via two M10 connectors.

The rescue system is fixed onto the other end using a connector.

Model	Product Code	Price
Option R	83892	€46.50



Option RL

45mm webbing anchorage extender that attaches to the back D-ring of a fall arrest harness. The extender is equipped with a plastic loop that allows the soft strand of the webbing to be positioned on one of the harness back straps when the extender is not in use.

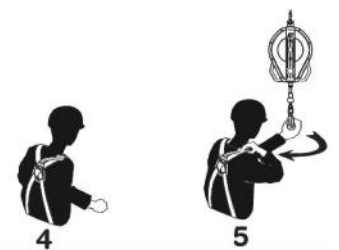
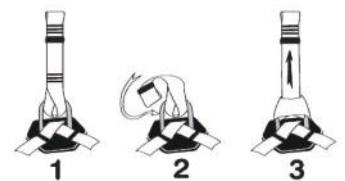
Dimensions (mm)

- Webbing width 45 mm
- Total length: 260 mm
- 2 sewn loops
- Max. working load: 150 kg

Material

- Webbing: polyester

Model	Product Code	Price
Option RL	32872	€22.00



Accessories



Suspension trauma straps

The Suspension trauma straps is a portable, lightweight accessory that fits onto any harness and can be deployed in the event of a fall. The comfort strap has a foot loop for the user to stand in while suspended. It allows the user to stand up straight, relieving any pressure on the legs.

Suspension syncope can occur when the user is left suspended in a hanging position following a fall. During this time the harness can cut into the thighs, restricting blood flow, which can cause a series of complications including fainting and even death.

Specification

- Hardwearing zipped pouch, 80 mm diameter, 40 mm thick.
- Strap made from polyamide strap and zinc plated steel.
- Adjustment buckle.
- Easily adjustable up to 1.2 m to suit the height of the user.
- Weight: 100 g.
- User manual included within the pouch.
- Quick and easy to attach to the harness.
- Suitable for use with any Tractel harness.

Easy to Use

Step 1 - Unzip the pouch and deploy the leg loop.

Step 2 - Place both feet in the foot loop.

Step 3 - Adjust the strap as required.

Step 4 - Stand up straight to relieve pressure on the legs.

Model	Product Code	Price
Suspension trauma strap	66182	€34.00



X-Pad

The X-Pad can be installed on all Tractel existing harnesses (except the HT Ladytrac and HT Access), including those with the Elastrac option, by the users themselves.

On the left shoulder strap, the X-Pad is equipped with a label holder designed to receive a traceability card dedicated to the user.


Following customers' feedback regarding the comfort around the neck, the 2 straps around the neck have now a wide opening.


Gives rigidity to hold the harness into a good shape for an easy put on.


The X-Pad is individually available.

The X-Pad is equipping our Specialties harness series and harness HT55 and HT56.

Model	Product Code	Price
X-Pad	86612	€39.00

 Order products on day 1, will be shipped no later than day 2

 Order products on day 1, will be shipped no later than day 3. Maximum quantities apply for this service.

 Available on request. Please enquire about delivery times of these items.

Accessories

High-visibility vest

EN471 - EC/ISO standard 20471, class 2

Comfortable lightweight high-visibility vest specifically developed for use with TRACTEL® harnesses without belt.

Reflective vests provide double security in those situations where there may not be enough light to be seen by others and by night. It makes the wearer visible at all times and in all weathers thanks to the retroreflective warning strips.

- Fluorescent outer fabric of polycotton (80% polyester / 20% cotton): resistant to all kinds of grease and dirt.
- Black honeycomb-structure lining, 100% polyester: reduces transpiration for the wearer's comfort.
- Two double pockets on the front of the vest, each with a flap that can be closed with press studs.
- Grey 50 mm-wide retro-reflective strip.
- Light weight: 660g.
- Easy to position the harness within the vest. Fast, simple and safe donning : once the harness has been set up in the vest, the user can easily slip on the garment with the harness fitted in.
- One size only : the sides can be let in or out thanks to clever inlays connected by an elastic cord, adjustable using a clip.
- Can be washed in a standard washing machine at 60°C.



Model	Product Code	Price
High-visibility vest - Orange	75672	€104.00
High-visibility vest - Yellow	75662	€104.00



Tool holders

Tractel tool holders are compatible with a vast majority of standard tools, weighing up to 5 kg. When a tool holder is utilised, it eliminates the risk of a serious accident caused by falling tools. This line of accessories does not inhibit a person's ability to fully utilise the required tools and ensures complete safety by eliminating the risk of objects falling from height.



ETL



ETLS



TL

Model	Product Code	Price
ETL	74782	€17.00
ETLS	74812	€19.00
TL	74842	€14.00
TLS	74872	€14.00
TWB	74902	€13.00
OAS	75572	€13.00



TWB



OAS

Tool holding bag

Designed to be attached to Tractel harness belts.

It's thoughtfully designed to enable the user to safely carry the tools and small components required when working at height.

- A main, open compartment measuring 220mm wide x 70mm deep x 350mm high. The base of the pouch is leather-reinforced to prevent it from being cut or pierced by sharp tools.
- A Velcro-closable pocket measuring 220mm wide x 20mm deep x 180mm high.
- Two front pockets measuring 110mm wide x 20mm deep x 180mm high



Model	Product Code	Price
Tool holding bag	75582	€49.00



Order products on day 1, will be shipped no later than day 2



Order products on day 1, will be shipped no later than day 3. Maximum quantities apply for this service.



Available on request. Please enquire about delivery times of these items.

Helmets

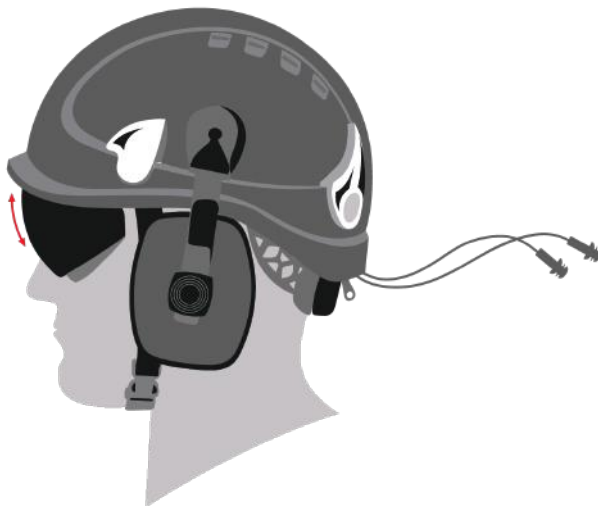
TR2000 helmet with 4 point chinstrap

EN397 - EN50365

Tractel's TR2000 helmet offers numerous advantages:

- Shell in polycarbonate for optimal protection from impacts and compression
- Short visor for easier upwards vision
- Available in 3 colours: blue, white and red
- Lightweight: 375 g
- Fast knurled wheel adjustment to head size 45 to 62 cm
- Fabric straps for ideal comfort
- Towelling all round sweatband
- Usage temperature -30°C to +40°C
- Service life: 5 years from the date of production
- Numerous accessories

Model	Product Code	Price
Helmet - blue colour	60252	€57.00
Helmet - red colour	60432	€57.00
Helmet - white colour	60442	€57.00



TR2000 helmet accessories

Model	Product Code	Price
integrated visor, clear	60272	€32.00
Integrated visor, tinted	60262	€27.00
in-ear defender	60292	€6.40
mounted ear defenders	60282	€37.00
head torch clip	60302	€8.20
Sweatband	62782	€5.20



Bags

Model	Description	Product Code	Price
Cloth pocket bag	Zip fastening / Size : 400 x 290 x 20 mm	11942	€7.40
Cloth shoulder bag	Zip fastening / Size : 430 x 310 x 150 mm	10542	€14.00
Backpack	Zip fastening / Size : 420 x 260 x 120 mm	67392	€33.00
Combipro 20L	Waterproof canvas carrying bag Zip fastening / Size : 360 X 320 mm	50992	€23.00
Combipro 30L	Waterproof canvas carrying bag Zip fastening / Size : 570 X 410 mm	20812	€22.00
Combipro 60L	Waterproof canvas carrying bag Zip fastening / Size : 680 X 510 mm	20822	€53.00
derope™ drob bag	Backpack / Size: 430 x 310 x 150 mm	67422	€104.00
tracpode canvas bag	Zip fastening / Size : 1900 x 290 x 290 mm	31572	€72.00
Transport bag	Zip fastening / Size : 1550 x 270 x 270 mm	68752	€133.00



Cloth pocket bag



Cloth shoulder bag



Backpack



combipro 20l



combipro 30l



combipro 60l



derope bag



tracpode bag



Door anchor bag

How to choose your fall arrest device

Selecting the right fall arrest device



Self-retracting fall arrest: blocfor range

These fall arrest devices are particularly well suited to all types of work involving vertical and horizontal movement. They facilitate the operator's horizontal movement over surfaces covered with obstacles such as flat roofs or industrial sites.

Conform to standard EN360 and to European data sheets CNB/P/11.060 (for horizontal use) & CNB/P/11/062 (for use above 100 kg).

Guided-type fall arrest on an anchor line: stopfor range

These fall arrest devices are recommended for work involving vertical movements. Some of them have also been tested for horizontal movements, which require manual assistance.

Conform to standard EN353-2 and to European data sheets CNB/P/11.060 (for horizontal use) & CNB/P/11/062 (for use above 100 kg).

Shock-absorbing fall arrest: shock-absorbing lanyard range

These fall arrest devices are suited to tasks where there is limited freedom of movement.

Conform to European data sheets CNB/P/11.060 (for horizontal use) & CNB/P/11/062 (for use above 100 kg).

WORK APPLICATIONS

- Working on scaffolding, in cradles, etc.
- Working on flat roofs.
- Maintenance work.

WORK APPLICATIONS

- Working on ladders.
- Working on roofs.
- Cleaning windows.
- Rope access work.

WORK APPLICATIONS

- Working on roofs.

Applicable standards

• EN 360 : (Blocfor range)

An automatic fall arrest device is a device equipped with a lanyard (cable or strap) kept constantly in tension. It allows for the movement of users without manual intervention. The system automatically locks when there is an acceleration of the lanyard and immobilizes the user in case of a fall. These fall arrest devices exist in different lengths and different materials are used for the lanyard.

• EN 353-2: (Stopfor range)

A fall arrest device on a flexible belay is a device that moves freely during ascent and descent and automatically locks on the rope in case of a fall. The belaying support may be stranded rope or braided rope. These flexible supports must be weighted with a counterweight.

• EN 355: (shock absorber lanyard range)

An energy absorbing fall arrester makes it possible to arrest a fall in a short distance (max 2m). Its design ensures total safety for a fall factor of 2. In case of a fall the absorber will tear out sufficiently to reduce the force of the impact.

Each fall arrest described above, in the event of a fall,
will ensure that the user will not be subjected to an impact of more than 600 daN.

Blocfor fall arrest devices

Tractel offers a wide range of Blocfor, self-retracting fall arrest device, ranging from 1.8m to 30m with different material for the rope.

The versions up to 6m included are equipped with a webbing lanyard. The versions from 10m to 30m can be delivered with a galvanised steel, stainless steel or synthetic rope depending the application.

Tractel also offers Blocfor combined with rescue device; the Blocfor 20 and 30. These versions are designed to provided a simple and quick rescue solution. In the event of fall with a Blocfor rescue, the integrated rescue winch can be activated easily, the person can be rescued within minutes.

The choice of rope type for the versions between 10m and 30m depends on the application.

- The galvanised steel rope is an allrounder and can be used on most common application
- The stainless steel rope version should be preferred in food, humid or chemical environments
- The synthetic rope version should be preferred in anti-static and electrical environments as the rope is non-conductive.

On some of the Blocfor, the additional edge test specified in the CNB/P/11.060 are performed to ensure these Blocfor can be used over a sharp edge.

The Blocfor 1.8 EVO ESD is designed to withstand a fall with a fall factor 2. The certification tests are described in the CNB/P/11.085.

Most of our Blocfor are rated 150kg, and to ensure their conformity, they are tested according to the CNB/P/11.062 which defines the tests for fall arrest device with a capacity higher than 100kg.

	1.8 ESD	1.8 EVO ESD	1.8 DUO EVO	5 ESD	6 ESD	10 ESD	20 EVO	20 R ESD	30 ESD	30 R ESD
Type of rope										
Webbing	✓	✓	✓	✓	✓					
Galvanised steel						✓	✓	✓	✓	✓
Stainless steel						✓	✓	✓	✓	✓
Synthetic						✓	✓			
Flat roof application (PPE-R/11.060)	✓	✓	✓	✓	✓	✓*	✓*		✓*	
Fall factor 2 (PPE-R/11.085)		✓	✓							
150 kg (PPE-R/11.062)	✓	✓	✓	✓	✓	✓	✓	✓*	✓	✓*
Housing material										
ABS plastic, UV resistant	✓	✓	✓	✓	✓	✓	✓	✓		
Aluminium									✓	✓
Application										
Scaffolding	✓	✓	✓							
Industrial				✓	✓	✓	✓		✓	
Rescue								✓		✓
Access to confined spaces	✓	✓	✓	✓	✓	✓	✓	✓	✓	✓

* except stainless steel version



Blocfor valstopapparaten

 <p>Blocfor 1.8 A ESD Strap : 1,8 m</p>	 <p>Blocfor 1.8 B ESD Strap : 1.8 m</p>	 <p>Blocfor 1.8 A EVO ESD Strap : 1,8 m</p>	 <p>Blocfor 1.8 B EVO ESD Strap : 1,8 m</p>
 <p>Blocfor 1.8 Duo ESD 2 straps : 1,8 m</p>	 <p>Blocfor 5 / 6 ESD Strap : 5 m / 6 m</p>	 <p>Blocfor 10 ESD • Galvanised • Synthetic rope Rope : 10 m</p>	 <p>Blocfor 10 ESD I • Stainless Steel Rope : 10 m</p>
 <p>Blocfor 20 ESD EVO • Galvanised • Synthetic rope • Stainless steel* Rope : 20 m <i>*(Stainless steel version only suitable for vertical use)</i></p>	 <p>Blocfor 30 ESD • Galvanised • Stainless steel* Rope : 30 m <i>*(Stainless steel version only suitable for vertical use)</i></p>	 <p>Blocfor 20R ESD / Blocfor 30R ESD • Galvanised • Stainless steel Rope : 18 m / 30 m</p>	



High Capacity range 150 kg.



Can be used on flat roof



Can be used in a fall factor 2

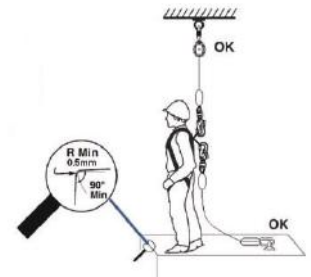
(For explanation regarding factor 2 see page 186)

Blocfor 1.8 ESD fall arrest devices

Automatic fall arrester with 1.8 m strap, for vertical or horizontal use.

The Blocfor 1.8A & 1.8B ESD has many advantages for the user:

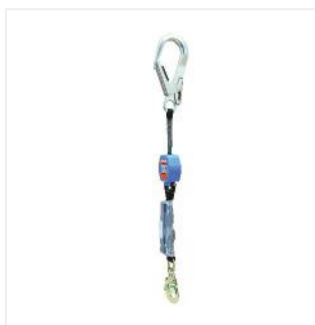
- Lightweight and compact, which makes it easy to carry and use.
- Aramid strap : 15 mm width, 1.45 m length.
- Plastic housing, anti-UV, very resistant to shocks and ageing.
- Easy to install on different types of anchors thanks to several connectors (M10, M51 or M53).
- Easy to connect to the harness thanks to the M47 safety hook connector.
- Flexible unwinding system eliminates sticking or stopping during use.
- Presence of a swivel at the end of the strap allows for easy winding, the strap is free of any twists.
- In the event of a fall, the device triggers in less than 100 mm, reducing the distance of a fall.
- Shock-absorption system ESD is also a fall indicator, making it easy to identify whether the block has been involved in a fall. It ensures that the user will not be subjected to an impact of more than 600 daN even if the fall occurs when the cable is fully unwound.



Blocfor 1.8A ESD 150kg

EN 360, CNB/P/11.060, CNB/P/11.062

Model	Description	Weight (kg)	Product Code	Price
Blocfor 1.8A ESD M10 M47	1.8 m – webbing – M10 and M47 connector	1.36	70592	€156.00
Blocfor 1.8A ESD M11 M47	1.8 m – webbing – M11 and M47 connector	1.36	75482	€162.00
Blocfor 1.8A ESD M51 M47	1.8 m – webbing – M51 and M47 connector	1.63	70602	€200.00
Blocfor 1.8A ESD M53 M47	1.8 m – webbing – M53 and M47 connector	1.69	70612	€182.00





Blocfor 1.8B ESD 150kg


EN 360, CNB/P/11.060, CNB/P/11.062

Unlike Blocfor 1.8A ESD, the shock-absorption system ESD of the Blocfor 1.8B ESD is positioned on the side of the attachment point of the harness, between the Blocfor and the fall arrest point on the user's harness. The strap (fitted with an M51 connector) is connected to the anchor point of the Blocfor on the structure.

Model	Description	Weight (kg)	Product Code	Price
Blocfor 1.8B ESD 150kg M51 M47	1.8 m – webbing – M51 and M47 connector	1.63	72462	€194.00

 Order products on day 1, will be shipped no later than day 2

 Order products on day 1, will be shipped no later than day 3. Maximum quantities apply for this service.

 Available on request. Please enquire about delivery times of these items.

Blocfor 1.8 EVO ESD fall arrest device

To minimise the impact on a user in case of a fall, an anchor point above their head is ideal. This means the fall arrest device used comes into action immediately and therefore reduces significantly the impact energy that needs to be absorbed and the distance of the fall.



However, such an anchoring point is not always possible: Often, the only place to anchor is at, or even below, the level of the user's feet, as well as close to the edge where you can fall. This means that in the case of a fall, the user can fall the length of the lanyard before the fall arrest device activates, generating much higher energy levels that need to be absorbed to prevent harm to the user.

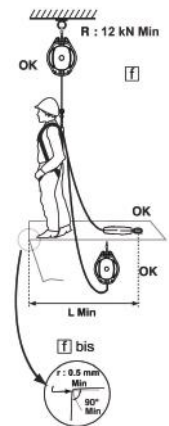
This situation is often described as Fall Factor 2 and many fall arrest blocks explicitly forbid this kind of use in the user manual.

Tractel has now developed the Blocfor 1.8 Evo to work specifically in this situation.

Fall arrest device with ESD technology, suitable for vertical or horizontal use. 1.8 meter webbing.

High Capacity Range 150 kg. Complies with CNB/P/11.062.

- Complies with EN 360 and CNB/P/11.060 standards for use on edges with a minimal 0.5 mm curve radius
- Can be used vertically or with a standard deviation of 20° in relation to vertical
- Can be used horizontally without the use of a lanyard between the end of the strap and harness
- **Can be used in FALL FACTOR 2**
- Flexible unwinding system which doesn't jerk during operator movement
- Responsive system which locks automatically in the event of a fall, reducing the total drop height
- Includes Energy System Dissipater (ESD) technology which enables the device to arrest a fall even when the webbing is fully unwound
- Integrated fall indicator
- Length 1.8 metres, webbing version
- Lightweight
- ABS fibre reinforced polyamide housing
- Standard M47 swivel connector at end of shock absorber



Blocfor 1.8A EVO ESD 150KG

EN 360, CNB/P/11.060, CNB/P/11.062, CNB/P/11.085

Model	Weight (kg)	Product Code	Price
Blocfor 1.8A EVO ESD M10 M47	1,41	84052	€240.00
Blocfor 1.8A EVO ESD M24 M47	1,41	86082	€244.00
Blocfor 1.8A EVO ESD M53 M47	1,72	84062	€262.00
Blocfor 1.8A EVO ESD M51 M47	1,72	84072	€274.00
Blocfor 1.8A EVO ESD M23 M47	1.69	84092	€267.00



Blocfor 1.8B EVO ESD 150KG

EN 360, CNB/P/11.060, CNB/P/11.062, CNB/P/11.085

Model	Weight (kg)	Product Code	Price
Blocfor 1.8B EVO ESD M51 - M47	1.55	84082	€267.00
Blocfor 1.8B EVO ESD 150KG		86292	€260.00



Blocfor 1.8 DUO ESD fall arrest device



Depending on your activity, you can be in situations where you have to regularly change to another anchorage point. Due to the fact you are probably in an area where you have a falling hazard you have to be connected constantly.

So we developed a double blocfor, the blocfor 1.8 duo evo ESD. With this new product, you can be connected with 1 hook to the structure and if you have to pass an obstacle or change to another anchorage point you attach the second hook to the structure. When the second hook is connected you can remove the first hook. If you work like this you will be always secured.

The Blocfor 1.8 duo evo ESD, self-retracting fall arrester is equipped with the new ESD system (Extremity System Dissipator). The ESD system ensures the user an impact of less than 600 daN, even if he falls when the lanyard is fully unrolled. The ESD system reduces the violence of the impact on the user's body in the event of a fall.


Can be used for maintenance operations in gondolas, on scaffolding, climbing in masts and pylons.


- Suitable for horizontal use with edges with a minimum radius of 0.5mm.
- Can be used in fall factor 2: possibility to work above the equipment anchorage point.
- Unit equipped with an M47 connector and an M51 connector. M51 is a connector with big opening, made in aluminium: universal and light.
- Reduced space requirement.
- Very low weight.
- Good ergonomics that ensures a perfect grip.
- One end is equipped with the Tractel ESD system.


Blocfor 1.8B DUO EVO ESD 150KG

EN 360, CNB/P/11.060, CNB/P/11.062, CNB/P/11.085

Model	Weight (kg)	Product Code	Price
Blocfor 1.8B DUO ESD 150KG M47-M51	2.66	84762	€492.00
Blocfor 1.8B DUO ESD 150KG M47-M54	3.60	86992	€601.00

 Order products on day 1, will be shipped no later than day 2

 Order products on day 1, will be shipped no later than day 3. Maximum quantities apply for this service.

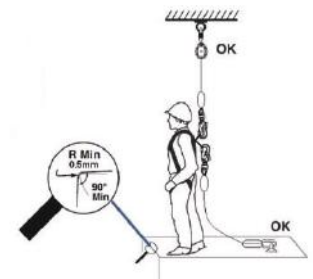
 Available on request. Please enquire about delivery times of these items.

Blocfor 5 and 6 ESD fall arrest device

Automatic fall arrester for **vertical and horizontal use**.

For the user, the Blocfor 5/6 ESD has many advantages:

- Plastic housing made of a polyamide/ABS blend : very resistant to shocks and to UV.
- Aramid strap : Width of 25 mm. - length of 5 m (Blocfor 5 ESD). or 6 m (Blocfor 6 ESD).
- Simplified mechanism to optimize maintenance.
- Shock-absorption system ESD is also a fall indicator, making it easy to identify whether the block has been involved in a fall.
- Shock-absorption system ESD ensures that the user will not be subjected to an impact of more than 600 daN even if the fall occurs when the cable is fully unwound.
- Ergonomically shaped: easy to transport and to install.



Blocfor 5/6 ESD 150kg

EN 360, CNB/P/11.060, CNB/P/11.062

Model	Description	Weight (kg)	Product Code	Price
Blocfor 5 ESD M10 M47	5 m – webbing – M10 and M47 connector	2.86	70652	€341.00
Blocfor 6 ESD M10 M47	6 m – webbing – M10 and M47 connector	2.76	70662	€350.00
Blocfor 6 ESD M11 - M47	6 m – webbing – M11 and M47 connector	2.76	74672	€350.00
Blocfor 6 ESD M24 M47	6 m – webbing – M24 and M47 connector	2.76	86202	POA



Blocfor 10 ESD fall arrest device

Automatic fall arrest device with cable (galvanised or synthetic) for vertical or horizontal use.

Blocfor 10 ESD fall arrest device benefits

- Housing made of polyamide reinforced with ABS fibre: highly resistant to shocks and UV.
- Galvanised cable (Blocfor 10 ESD G) / Synthetic cable (Blocfor 10 ESD SR)
- Simplified mechanism to optimise maintenance.
- The shock absorbing ESD system is also a fall indicator, eliminating the risk of using the device after a fall. It ensures that the user is not exposed to an impact of more than 600 daN, even if the fall occurs when the cable is fully uncoiled.
- Ergonomically shaped.



Blocfor 10 ESD 150kg G/SR

EN 360, CNB/P/11.062, CNB/P/11.060

Model	Description	Weight (kg)	Product Code	Price
Blocfor 10 ESD G M10-M47	Galvanised rope	5.52 kg	70572	€487.00
Blocfor 10 ESD G M24-M47	Galvanised rope	5.52 kg	86092	€493.00
Blocfor ESD SR M10-M47	Synthetic rope	4.50	74372	€539.00



Blocfor 10 ESD I 150kg RVS

EN 360, CNB/P/11.062

The Blocfor 10 ESD I 150kg is a fall arrester equipped with a shock absorption system (ESD), featuring stainless steel components.

The Extremity System Dissipator (ESD) system ensures that the user is not exposed to a shock of more than 600 daN, even if the fall occurs when the strap is fully unwound.

The blocfor 10 ESD I 150 kg with stainless steel cable is used when working in aggressive environments, such as chemical plants or sewage works. In such environments, high humidity or other atmospheric gases/particles can affect the normal wire rope.

This blocfor can only be used vertically.



Advantages Blocfor 10 ESD I 150kg

- Simplified mechanism to optimise maintenance.
- Shock absorption system ESD (Extremity System Dissipator).
- Ergonomically shaped.
- Ultra-resistant to shock and UV.
- **Stainless steel cable**

Model	Weight (kg)	Product Code	Price
Blocfor 10 I ESD 150kg M10I M10I	4,86	79002	€700.00

Blocfor 20 EVO ESD 150kg

EN 360, PPE-R/11.060, PPE-R/11.062

The **Blocfor 20 EVO ESD** is:

- A self-retracting fall arrest device
- With guaranteed 20 meters of wire rope made in:
 - Galvanised steel,
 - Stainless steel,
 - Or synthetic rope.
- Equipped with our ESD (Extremity System Dissipator) absorption system.
- Suitable for user with a weight up to 150kg
- That works in both vertical and horizontal (edge certification) applications.

The **latest innovation from Tractel** in self-retracting fall arrest device.

- A simple and proven mechanism to optimise its operation and maintenance.
- In the event of fall, its ESD system ensures that the impact on the operator is less than 600 daN. Even if the operator falls when the wire rope is unwound.
- Ergonomic handle for easy handling during transport and installation.
- Lightweight thanks to its plastic housing.
- Smooth to use. The proven mechanism prevents the unintentional locking of the system.
- A reinforced spring which ensures a perfect winding of the entire wire rope.
- Impact-resistant and UV-resistant housing

Configuration in use

The Blocfor 20 EVO ESD fall arrest device can be used:

- For user with a weight up to 150kg including their equipment. Certified according to the PPE-R/11.062 "fall arrester with a capacity greater than 100kg",
- In vertical application with an angle up to 20° at the vertical of the anchor point.
- For horizontal application with edges having a radius of more than 0.5 mm, for galvanised and synthetic rope version only. Certified according to the PPE-R/11.060 "horizontal use"

Connector

Galvanised and synthetic versions

M24 twin-lock connector on top and M47 automatic connector with integrated swivel on the absorber.

Stainless steel version

M10 manual connector in stainless steel on both ends. With an inline swivel on the absorber end.

Model		Material	Weight (kg)	Product Code	Price
Blocfor 20 EVO ESD G 150 kg	<input checked="" type="radio"/>	galvanised rope	9.4	86662	€725.00
Blocfor 20 EVO ESD I 150 kg	<input checked="" type="radio"/>	Stainless steel rope	9.1	86672	€1,095.00
Blocfor 20 EVO ESD SR 150 kg	<input checked="" type="radio"/>	Synthetic rope	8	86652	€980.00

(Blocfor 20 EVO ESD I only suitable for vertical use)



Order products on day 1, will be shipped no later than day 2

Order products on day 1, will be shipped no later than day 3. Maximum quantities apply for this service.

Available on request. Please enquire about delivery times of these items.



Blocfor 30 and 30R fall arrest device

Blocfor 30 ESD G 150kg

EN 360, PPE-R 11.060, PPE-R 11.062

- Complies with EN 360 for self-retracting lanyard.
- High Capacity Range 150 kg. Complies with PPE-R 11.062.
- The galvanised version complies with PPE-R 11.060 standards for use on edges with a minimal 0.5 mm curve radius. Fall arrest device with ESD technology suitable for use on flat roofs.
- Can be used vertically or with a standard deviation of 20° in relation to vertical.
- Flexible unwinding system which doesn't shake during operator movement.
- Responsive system which locks automatically in the event of a fall, reducing the total drop height.
- Includes Energy System Dissipater (ESD) technology which enables the device to arrest a fall even when the webbing is fully unwound
- Integrated fall indicator
- Length 30 metres, version with galvanised or stainless steel.
- The housing is made of coated aluminium: highly resistant to shocks and abrasion
- Lightweight
- M47 swivel connector at end of shock absorber (Stainless steel version with stainless steel M10 connector and inline swivel)
- A blocking mechanism with a double locking pin which reduces the activation time

Model	Fall Braking System	Product Code	Price
Blocfor 30 ESD 150 kg M10 M47	0.8	74532	€1,115.00
Blocfor 30 ESD 150 kg M24 M47	0.8	86122	POA

Blocfor 30 R ESD G 150kg

EN 360, EN 1496-B, CNB/P/11.062

Automatic fall arrest device with galvanised cable, with integrated winch that is very effective and easy to use.

This product can be used as a standard fall arrest device when the rescue winch is not engaged and to lift a worker, after a fall, for a safe rescue when the winch is activated.





Advantages Blocfor 20 R ESD / 30 R ESD fall arrest device:


- Plastic housing made from a mixture of polyamide and ABS (Blocfor 20R) / Aluminium housing (Blocfor 30R) : Anti-UV, highly resistant to shock and abrasion.
- The shock absorption system ESD is also a fall indicator, eliminating the risk of using the device after a fall. It ensures that the user is not exposed to an impact of more than 600 daN, even if the fall occurs when the strap is fully unwound.
- Integrated winch: Automatic fall arrest device with integrated winch for lifting/lowering in any rescue operation. The lowering movement is limited to max. 2 metres in accordance with EN1496.



Model	Weight (kg)	Product Code	Price
Blocfor 30R ESD G 150kg	20 kg	75502	€2,140.00

 Order products on day 1, will be shipped no later than day 2

 Order products on day 1, will be shipped no later than day 3. Maximum quantities apply for this service.

 Available on request. Please enquire about delivery times of these items.

Blocfor R EVO ESD

Fall protection with integrated rescue winch

EN 360 - EN 1496-B - PPE-R/11.062

The Blocfor 20 R EVO ESD 150 kg functions like a standard retractable fall arrester to stop the fall of an operator. It also features an integrated rescue winch system that can be easily activated after a fall to rapidly evacuate a person upwards or downwards in case of a rescue operation.

Features:

- Handle-type anchorage capable of receiving large-diameter connectors.
- Automatic fall arrester with an **integrated winch** for ascending or descending during a potential rescue operation.
- Plastic housing casing made of a polyamide/ABS blend, UV-resistant, highly resistant to impact and aging.
- Equipped with an ESD energy absorber, traceability label and a fall indicator. That ensures that the user will not experience an impact of more than 600 daN even if the fall occurs when the cable or strap is fully extended.
- Allows horizontal use (for the version with galvanized cable).
- Blocfor 20 R EVO ESD I only suitable for vertical use.



Blocfor 10 R & 10 R EVO ESD G



Blocfor 20 R EVO ESD I



The associated mounting brackets allow for installation on Tracpode and Tracpode Pro tripods, Davitrac davits, Davimast masts, as well as the Tracrod anchorage for easy winch handling.

Model	Length (m)	Description	Weight (kg)	Product Code	Price
Blocfor 10 R EVO ESD G	10	Galvanised rope	11.2	87742	POA
Blocfor 20 R EVO ESD G	20	Galvanised rope	12.5	87492	POA
Blocfor 20 R EVO ESD I	20	Stainless steel rope	12.2	87502	POA
Adaptation set for Blocfor R EVO on older Tractel mounting brackets	-	-	-	289567	



If 'B4' is indicated on the type plate of the mounting bracket, purchase of the adaptation kit (289567) is **not** necessary.



If 'B4' is **NOT** indicated as the designation on the mounting bracket type plate, purchase of the adaptation kit (289567) is necessary.



Stopfor valbeveiligers

Tractel offers a complete range of Stopfor. It is primarily split in two:

- Stopfor on stranded rope Ø14mm
- Stopfor on braided rope Ø11mm

The choice between the two kinds of product depends on the use of the Stopfor.

The braided rope is much lighter than stranded increasing the comfort of use with a long rope. While the Stopfor with the stranded rope can all be used horizontally (e.g. flat roof).

Inside each category, different versions are available depending on the application.

Product	Stopfor for stranded rope				
	B16	B	BF	MSP	SL
150kg	✓	✓	✓	✓	✓
Anti-reversibility	-	-	-	✓	✓
Pre-installed on rope	-	-	✓	-	-
Can be installed and removed at any point on the rope	✓	✓	-	✓	✓
Safety Park function	-	-	-	✓	✓
Vertical use	✓	✓	✓	✓	✓
Horizontal use (e.g. on flat roof)	-	✓	✓	✓	✓

Product	Stopfor for braided rope				
	KS 150kg	KSP 150kg	K	KS	KSP
150kg	✓	✓	-	-	-
Anti-reversibility	✓	✓	-	✓	✓
Pre-installed on rope	-	-	✓	-	-
Can be installed and removed at any point on the rope	✓	✓	-	✓	✓
Safety Park function	-	✓	-	-	✓
Vertical use	✓	✓	✓	✓	✓
Horizontal use (e.g. on flat roof)	-	-	✓	✓	✓

The version with the safety park function will be preferred when working on a roof with high inclination and work positioning is required.

A pre-installed Stopfor on a rope will be preferred when it is important for the user or owner that the rope cannot be separated from the Stopfor.



High Capacity range 150 kg



Can be used on flat roofs

Fall arresters - Stopfor 150 kg

Fall arresters on a flexible anchor line

Stopfor B16 150 kg

EN353-2 - CNB/P/11.062

The Stopfor B16 fall arrester has been specially designed to ensure the safety of operators who work under power on electricity transmission networks with a maximum voltage greater than 50 kV and less than or equal to 420 kV.

The Stopfor B16 fall arrester is currently the only rope-based fall arrester that meets the requirements for under power working. This certification was carried out in collaboration with the company MS, which manufactures insulating rope that complies with standard V2016/425/EU.

Tractel is the first manufacturer to be referenced with an EN 353.2 fall arrester that can be used carrying out work under electrical voltage.

- Vertical applications.
- Use on 16 mm Tractel waxed polypropylene stranded rope.
- Designed to be openable, it can be installed or removed at any point on the rope.
- Lightweight & ergonomic.
- Easy to use & to transport.
- Bichromate steel, better corrosion resistance.

Model	Length (mm)	Product Code	Price
Stopfor B16 - Strap + M42	30	86412	POA



Stranded insulated PPE Rope 16mm

16 mm red PP waxed stranded PPE rope for use with a Stopfor B16 fall arrest system.

This rope is equipped with a double safety connector with a ¼ turn rings in zinc-plated steel M24 and an NFC chip for its identification.

Specially designed for live work.

Model	Description	Product Code	Price
PPE rope 30 m	30 meter / M24	86422	POA
PPE rope 50 m	50 meter / M24	86442	
PPE rope 100 m	100 meter / M24	86452	
PPE rope 140 m	140 meter / M24	86462	
PPE rope 200 m	200 meter / M24	86472	



Order products on day 1, will be shipped no later than day 2

Order products on day 1, will be shipped no later than day 3. Maximum quantities apply for this service.

Available on request. Please enquire about delivery times of these items.

Fall arresters - Stopfor

150kg / Fall arresters on a flexible anchor line



Stopfor B

EN353-2 - CNB/P/11.075 - CNB/P/11.062

- Vertical & horizontal applications.
- Use on 14 mm diameter stranded rope.
- Installs & removes at any point of the rope.
- Lightweight & ergonomic.
- Easy to use & to transport.
- Aluminium.

Model	Length (cm)	Product Code	Price
Stopfor B M10	-	106189	€94.00
Stopfor B - strap + M41	30	106169	€116.00
Stopfor B - strap + M42	30	106179	€120.00



Stopfor BF

EN353-2 - CNB/P/11.075 - CNB/P/11.062

- Vertical & horizontal applications.
- Use on 14 mm diameter stranded rope.
- Product delivered already on the rope.
- Easy to use.
- Aluminium

Model	Length of anchor line (m)	Product code	Price
Stopfor BF - rope 10m - strap + M41	10	79992	€175.00
stopfor™ BF - rope 15m - strap + M41	15	80002	€193.00
Stopfor BF - rope 20m - strap + M41	20	80012	€215.00
Stopfor BF - rope 30m - strap + M41	30	80072	€241.00
Stopfor BF - rope 40m - strap + M41	40	80082	€278.00

 Bestel producten op dag 1, worden uiterlijk op dag 2 verzonden.

 Bestel producten op dag 1, worden uiterlijk op dag 3 verzonden. Hiervoor gelden maximale hoeveelheden.

 Op aanvraag verkrijgbaar. Informeer naar de levertijden van deze artikelen.

Fall arresters - Stopfor

150kg / Fall arresters on a flexible anchor line

Stopfor MSP

EN353-2 - CNB/P/11.075 - CNB/P/11.062

- Vertical & horizontal applications.
- Use on 14 mm diameter stranded rope.
- Anti-reversibility system : impossible to assemble upside down, enhanced security.
- With park function : locks manually on the rope for a hold at the station.
- Easy to use & to transport.
- Installs & removes at any point of the rope.
- Galvanised steel.

Model	Product Code	Price
Stopfor MSP	207018	€147.00



Stopfor SL

EN353-2 - CNB/P/11.062

- Vertical applications.
- Use on 14 mm diameter stranded rope.
- Anti-reversibility system : impossible to assemble upside down, enhanced security.
- Installs & removes at any point of the rope.
- Stainless steel.

Model	Product Code	Price
Stopfor SL - M10	276389	€148.00
Stopfor SL - strap + M10	206918	€157.00
Stopfor SL - strap + M41	206958	€173.00
Stopfor SL - strap + M11	206928	€173.00



RLX Ankerlijn

Voor Stopfor B / MSP / SL

RLX rope anchor line \varnothing 14 mm. Complies with EN 353-2 standard

- Type: stitched



RLX14 - stop end + M10

- Equipped with an M10 connector at the top and a plug at the bottom.

Model	Description	Product Code	Price
RLX 14 5-10-B	5 metre / stitched / M10	45372	€47.00
RLX 14 10-10-B	10 metre / stitched / M10	45092	€69.00
RLX 14 15-10-B	15 metre / stitched / M10	45102	€87.00
RLX 14 20-10-B	20 metre / stitched / M10	45112	€103.00
RLX 14 30-10-B	30 metre / stitched / M10	45132	€148.00
RLX 14 40-10-B	40 metre / stitched / M10	45142	€191.00
RLX 14 50-10-B	50 metre / stitched / M10	45152	€233.00



RLX14 - stop end + spliced buckle end

- Equipped with a spliced buckle at the top and a plug at the bottom.

Model	Description	Product Code	Price
RLX14 10-A	10 metre	72692	€66.00
RLX14 20-A	20 metre	81152	€103.00



Order products on day 1, will be shipped no later than day 2



Order products on day 1, will be shipped no later than day 3. Maximum quantities apply for this service.



Available on request. Please enquire about delivery times of these items.

Stopfor fall arresters

150kg / Fall arresters on a flexible anchor line

Stopfor KS 150kg

EN353-2 - CNB/P/11.062

- Vertical applications.
- Use on 10.5-12.5mm diameter braided rope.
- Lightweight & ergonomic.
- Anti-reversibility system : impossible to assemble upside down, enhanced security.
- Easy to use & to transport.
- Aluminium.

Model	Product Code	Price
Stopfor KS 150kg - M10	276279	€111.00
Stopfor KS 150kg - M11	86182	€119.00



Stopfor KSP 150kg

EN353-2 - CNB/P/11.062

- Vertical applications.
- Use on 10.5-12.5mm diameter braided rope.
- Lightweight & ergonomic.
- Anti-reversibility system : impossible to assemble upside down, enhanced security.
- With park function : locks manually on the rope for a hold at the station.
- Easy to use & to transport.
- Aluminium.

Model	Product Code	Price
Stopfor KSP 150kg - M10	79062	€150.00
Stopfor KSP 150 kg - M24	86172	€156.00



Order products on day 1, will be shipped no later than day 2



Order products on day 1, will be shipped no later than day 3. Maximum quantities apply for this service.



Available on request. Please enquire about delivery times of these items.

Stopfor fall arresters

100kg / Fall arresters on a flexible anchor line



Stopfor K - 100kg

EN353-2 - CNB/P/11.075

- Vertical & horizontal applications.
- Use on 10.5 - 12.5 mm diameter braided rope.
- Lightweight & ergonomic.
- Easy to use & to transport.
- Installs & removes at any point of the rope.
- Aluminium.

Model	Product Code	Price
Stopfor K - M10 - without lanyard	79922	€99.00
Stopfor K LS30 M41	79932	€124.00
Stopfor K LS30 M42	79942	€128.00



Stopfor KS - 100kg

EN353-2 - CNB/P/11.075

- Vertical & horizontal applications.
- Use on 10.5 - 12.5 mm diameter braided rope.
- Lightweight & ergonomic.
- Anti-reversibility system : impossible to assemble upside down, enhanced security.
- Easy to use & to transport.
- Installs & removes at any point of the rope.
- Aluminium.

Model	Product Code	Price
Stopfor KS - M10	79952	€111.00
Stopfor KS - strap + M41	79962	€147.00
Stopfor KS - strap + M42	79972	€148.00



Stopfor KSP - 100kg

EN353-2 - CNB/P/11.075

- Vertical & horizontal applications.
- Use on 10.5 - 12.5 mm diameter braided rope.
- Lightweight & ergonomic.
- Anti-reversibility system : impossible to assemble upside down, enhanced security.
- With park function : locks manually on the rope for a hold at the station.
- Easy to use & to transport.
- Installs & removes at any point of the rope.
- Aluminium.

Model	Product Code	Price
Stopfor KSP 100kg - M10	80022	€151.00
Stopfor KSP 100kg - strap + M41	79072	€176.00
Stopfor KSP 100kg - strap + M42	79082	€197.00

Braided rope RLXD

For Stopfor KS / KSP / K

RLX D anchor line for the stopfor™ fall arresters. Complies to EN 353-2 standard

Braided rope anchor line \varnothing 11 mm



RLXD - stop end + M10 - for Stopfor

- Equipped with an M10 connector at the top and a plug at the bottom.

Model	Description	Product Code	Price
RLXD 11 5-10-A	5 metre / stitched / M10	37532	€41.00
RLXD 11 10-10-A	10 metre / stitched / M10	37542	€56.00
RLXD 11 15-10-A	15 metre / stitched / M10	37552	€78.00
RLXD 11 20-10-A	20 metre / stitched / M10	35562	€101.00
RLXD 11 30-10-A	30 metre / stitched / M10	37572	€138.00
RLXD 11 40-10-A	40 metre / stitched / M10	37582	€169.00
RLXD 11 50-10-A	50 metre / stitched / M10	37592	€199.00

RLXD - stop end + spliced buckle end

- Equipped with a spliced buckle at the top and a plug at the bottom.

Model	Description	Product Code	Price
RLX D11 5-A	5 metre / stitched	13999	POA
RLX D11 10-A	10 metre / stitched	14102	€51.00
RLX D11 15-A	15 metre / stitched	17422	€70.00
RLX D11 20-A	20 metre / stitched	14112	€93.00
RLX D11 30-A	30 metre / stitched	14122	€133.00
RLX D11 40-A	40 metre / stitched	14132	€162.00
RLX D11 50-A	50 metre / stitched	14142	€190.00
RLX D11 60-A	60 metre / stitched	17492	€218.00

RLXD - stop end + M41 - for Stopfor

Equipped with an M41 connector at the top and a plug at the bottom.

Model	Description	Product Code	Price
RLXD 11 5-41-A	5 metre / stitched / M41	17002	€47.00
RLXD 11 10-41-A	10 metre / stitched / M41	17012	€62.00
RLXD 11 15-41-A	15 metre / stitched / M41	17022	€84.00
RLXD 11 20-41-A	20 metre / stitched / M41	17032	€105.00
RLXD 11 30-41-A	30 metre / stitched / M41	17052	€140.00
RLXD 11 40-41-A	40 metre / stitched / M41	17062	€174.00
RLXD 11 50-41-A	50 metre / stitched / M41	17072	€210.00

Absorbing and standard lanyards

Selection Guide

Tractel offers a complete range of 150 kg lanyards. The choice depends on the activity the user has to perform, one is not excluding another. It will often happen that the user might need more than one lanyard. It is primarily split in three:

Fall arrest lanyard EN 355

Restraint lanyard EN 354

Work positioning lanyard EN 358

Fall arrest lanyards

Designed to be used in a fall arrest system, they are equipped with a shock absorber to ensure that in the event of fall, the maximum force transmitted to the user is less than 600daN. They must be used in combination with a certified safety harness and an anchor point or system. A fall arrest lanyard has the advantage to be lighter than other fall arrester.

Tractel offers **3 types of material** for its fall arrest lanyard:

- Webbing
- Braided rope
- Elastic webbing

The webbing material will be preferred for short term or occasional use, as the braided rope and the elastic webbing will be preferred for frequent and long use.

Fall arrest lanyards exist in **2 configurations**:

- Single lanyard
- Twin lanyard

The twin lanyard is designed to allow the user to move between anchor points ensuring that he is always secured. The single lanyard can be used with lifeline where there is no need to disconnect to cross anchors.



Restraint lanyards

When the lanyard is used between the harness and the anchorage point without a fall arrest system, the lanyard is intended to prevent the operator from accessing a fall hazard zone. The double lanyard version must be used in the same way, but allows movement along a fixed line while permanently connected.

RESTRAINT LANYARDS ARE NOT TO BE USED AS FALL-ARRESTERS

Work positioning lanyards

Work positioning lanyards: Designed to support the user comfortably when a hands free environment is needed. It must be connected by its two ends to the two points of attachment on either side of the belt or on the two chest anchorage points on the harness.

Tractel offers **2 types of work positioning lanyard**:

- With adjustment loop (LDR)
- With jaw tensioning device (LCM)

The first one is intended for short-term interventions and for restricted mobility. While the second one is intended for regular intervention and allows for an easy adjustment of the length of the lanyard.

The LCM03 is protected against from tools such as chainsaw or grinder.

The LCM05 with its braided offers a lighter alternative to the stranded rope of the LCM06.

The work positioning lanyard is existing in **3 different materials**:



Stranded rope (LCM06)



Braided rope (LCM05)



Braided rope reinforced with a steel core (LCM03)

WORK POSITIONING LANYARDS ARE NOT TO BE USED AS FALL-ARRESTERS.

LDA 150kg

Absorbing lanyards

EN355 - CNB/P/11.074 - CNB/P/11.062

Braided rope lanyard 12,5 mm, made of polyamide fibers 6.6 te,x with shock absorber.

Lanyard with energy absorber provides a connecting element between a fixed or mobile anchor points and the attachment point on the harness.

The energy absorber safely arrests a fall from a height. Without the shock absorber, a free fall of more than 50 cm can cause serious injury.



Model	Length (m)	Product Code	Price
LDA 1-M10-M10	1	77502	€70.00
LDA 1-M10-M53	1	81962	€98.00
LDA 1-11-53	1	84192	€114.00
LDA 1.5-BB	1,5	77512	€53.00
LDA 1.5-M10-M10	1,5	77532	€70.00
LDA 1.5-M10-M51	1,5	77562	€105.00
LDA 1.5-M10-M53	1,5	77572	€91.00
LDA 1.5-M12-M51	1,5	77602	€127.00
LDA 1.5-M41-M53	1,5	77652	€111.00
LDA 1.5-M41-M51	1,5	77642	€124.00
LDA 1,5-11-53	1,5	84202	€103.00
LDA 2-BB	2	77692	€56.00
LDA 2-M10-M10	2	77712	€72.00
LDA 2-M10-M53	2	77752	€95.00
LDA 2-M10-M51	2	77742	€112.00
LDA 2-M12-M51	2	77782	€129.00
LDA 2-M41-M53	2	77832	€100.00
LDA 2-11-53	2	84212	€111.00

Meer details over de connectors is te vinden op pagina 214



Order products on day 1, will be shipped no later than day 2



Order products on day 1, will be shipped no later than day 3. Maximum quantities apply for this service.



Available on request. Please enquire about delivery times of these items.

LDAD 150kg

Absorbing lanyards



EN355 - CNB/P/11.074 - CNB/P/11.062


Twin braided rope lanyard 12,5 mm, made of polyamide fibers 6.6 te,x with shock absorber.


Double lanyard with energy absorber provides a connecting element between a fixed or mobile anchor points and the attachment point on the harness. It is an ideal fall protection so that the operator is never disconnected.




Model	Length (m)	Product Code	Price
LDAD 1-M10-M51-M51	1	77862	€149.00
LDAD 1-M11-M53-M53	1	84452	€133.00
LDAD 1-M10-M53-M53	1	77872	€115.00
LDAD 1.5 BBB	1,5	77902	€64.00
LDAD 1.5-M10-M10-M10	1,5	77942	€90.00
LDAD 1.5-M11-M53-M53	1,5	78022	€140.00
LDAD 1.5-M10-M53-M53	1,5	77992	€123.00
LDAD 1.5-M10-M51-M51	1,5	77982	€154.00
LDAD 1.5-M12-M51-M51	1,5	78052	€173.00
LDAD 1.5-M41-M51-M51	1,5	78102	€157.00
LDAD 2 BBB	2	78122	€71.00
LDAD 2-M10-M10-M10	2	78132	€95.00
LDAD 2-M10-M53-M53	2	78172	€129.00
LDAD 2-M11-M53-M53	2	82162	€148.00
LDAD 2-M10-M51-M51	2	78162	€159.00
LDAD 2-M11-M51-M51	2	82152	€171.00

Meer details over de connectors is te vinden op pagina 214

 Order products on day 1, will be shipped no later than day 2

 Order products on day 1, will be shipped no later than day 3. Maximum quantities apply for this service.

 Available on request. Please enquire about delivery times of these items.

LSA 150kg

Absorbing lanyards

EN355 - CNB/P/11.074 - CNB/P/11.062

Single webbing fall arrest lanyard 30mm made of polyester fibers 6.6tex, with an energy absorber.

Webbing lanyard with energy absorber provides a connecting element between a fixed or mobile anchor points and the attachment point on the harness.

The energy absorber safely arrests a fall from a height. Without the shock absorber, a free fall of more than 50 cm can cause serious injury.

Model	Length (m)	Product Code	Price
LSA 1.5-CC	1,5	75172	€57.00
LSA 1.5-10-10	1,5	75182	€76.00
LSA 1.5-10-51	1,5	75212	€111.00
LSA 1.5-10-53	1,5	75232	€100.00
LSA 2-CC	2	75312	€58.00
LSA 2-10-10	2	75322	€77.00
LSA 2-10-41	2	75342	€89.00
LSA 2-10-51	2	75352	€112.00
LSA 2-10-53	2	75362	€97.00

Meer details over de connectors is te vinden op pagina 214



Order products on day 1, will be shipped no later than day 2



Order products on day 1, will be shipped no later than day 3. Maximum quantities apply for this service.



Available on request. Please enquire about delivery times of these items.

LSAD 150kg

Absorbing lanyards



EN355 - CNB/P/11.074 - CNB/P/11.062

Twin webbing fall arrest lanyard 30mm made of polyester fibers 6.6tex, with an energy absorber.

Double lanyard with energy absorber provides a connecting element between a fixed or mobile anchor points and the attachment point on the harness. It is an ideal fall protection so that the operator is never disconnected.



Model	Length (m)	Product Code	Price
LSAD 1.5-10-10-10	1,5	74992	€90.00
LSAD 1.5-10-51-51	1,5	75022	€149.00
LSAD 1.5-10-53-53	1,5	75032	€118.00
LSAD 2-10-10-10	2	75102	€87.00
LSAD 2-10-51-51	2	75132	€152.00
LSAD 2-10-53-53	2	75142	€120.00

Meer details over de connectors is te vinden op pagina 214



Order products on day 1, will be shipped no later than day 2



Order products on day 1, will be shipped no later than day 3. Maximum quantities apply for this service.



Available on request. Please enquire about delivery times of these items.

LSEA 150kg

Absorbing lanyards

EN355 - CNB/P/11.074 - CNB/P/11.062

Strap Elastic lanyard 35 mm with energy absorber.

The elastic lanyards LSEA are lanyards formed by a strap made of rigid polyester fiber woven on an elastic fiber core.

This elastic fiber has elongation properties which allow the lanyard to stretch by one-third of its contracted length.

The outer strap made of polyester fibers woven on the elastic fiber core gives the elastic lanyards excellent resistance to abrasion and cutting when it comes into contact with a sharp edge, including in the event of a fall.

With respect to standard lanyards, the elastic lanyards LSEA provide the advantage of being more compact and therefore more comfortable in use. With respect to the elastic lanyards currently on the market, formed by a tubular strap with an elastic material inside the lanyard, the Tractel elastic lanyards LSEA provide a much higher degree of resistance to ageing (the strap keeps its elasticity much longer) and has a much more attractive design.

Model	Length (m)	Product Code	Price
LSEA 1.5-10-10	1,5	79202	€97.00
LSEA 1.5-10-53	1,5	79262	€124.00
LSEA 1.5-10-51	1,5	79242	€140.00
LSEA 1.5-41-53	1,5	79302	€151.00
LSEA 1.5-41-51	1,5	79282	€166.00
LSEA 1.8-10-10	1,8	79212	€98.00
LSEA 1.8-10-53	1,8	79272	€126.00
LSEA 1.8-10-51	1,8	79252	€142.00
LSEA 1.8-41-51	1,8	79292	€167.00

Meer details over de connectors is te vinden op pagina 214



Order products on day 1, will be shipped no later than day 2

Order products on day 1, will be shipped no later than day 3. Maximum quantities apply for this service.

Available on request. Please enquire about delivery times of these items.



EN358 - CNB/P/11.062

Adjustable lanyard LDR \varnothing 11mm provides a connecting element between a fixed or mobile anchor points and the attachment point on the harness.

This lanyard is a work positioning lanyard.

The LDR lanyard is formed by a stranded rope \varnothing 11mm made of rigid polyamide fibers, against the abrasion and the cut.

This lanyard is not a fall arrest.

- Adjustable positioning line
- Kernmantle rope (11mm)
- Integrated length adjuster (friction)
- Adjustable from 0.75 to 1.5m (1.5m) or from 1 to 2m (2m)
- Complies with:
 - EN358
 - CNB/P/11.062

Model	Length (m)	Product Code	Price
LDR 11 1,5-B	1,5	78222	€41.00
LDR 11 / 1,5 / 10-10	1,5	78232	€55.00
LDR 11 / 1,5 / 10-11	1,5	78242	€75.00
LDR 11 / 1,5 / 41-10	1,5	78272	€66.00
LDR 11 / 1,5 / 41-10	1,5	78262	€76.00
LDR 11 / 1,5 / 10-51	1,5	78252	€88.00
LDR 11 / 2 / B	2	78332	€42.00
LDR 11 / 2 / 10-10	2	78362	€57.00
LDR 11 / 2 / 10-11	2	78372	€75.00
LDR 11 / 2 / 10-41	2	78402	€67.00
LDR 11 / 2 / 10-53	2	78432	€76.00
LDR 11 / 2 / 10-51	2	78422	€91.00

Meer details over de connectors is te vinden op pagina 214

LCM03

Work positioning lanyards

EN358 - CNB/P/11.062

The work positioning lanyard LCM03 is a manually adjusted tensioner-reducer. This device works on a low-stretch rope with soul in steel diameter of 12.5 mm.

The LCM03 is compact and ergonomic and perfectly suited for work positioning.

The lanyard LCM03 is equipped with a compact, ergonomic tensioner-reducer. The device is made of high-strength aluminium. The tensioner-reducer LCM03 slide along the rope . In the event of a fall or loss of balance, the tensioner automatically locks.

The lanyard is formed by a braided rope reinforced with steel wire core, external diameter of 12.5 mm and length of 2m, 3m or 4m, equipped with a connector M10 on the tensioner and a connector M40 on the end of the rope

This lanyard is not a fall arrest.



Model	Length (m)	Product Code	Price
c - 2 m	2	85262	€231.00
LCM 03 - M41 M10T - 3 m	3	85272	€246.50
LCM 03 - M41 M10T - 4 m	4	85282	€262.00
LCM 03 - M42 M10T - 2 m	2	85292	€244.00
LCM 03 - M42 M10T - 3 m	3	85302	€260.00
LCM 03 - M42 M10T - 4 m	4	85312	€276.00
Sleeve	-	18192	€23.00

Meer details over de connectors is te vinden op pagina 214



Order products on day 1, will be shipped no later than day 2



Order products on day 1, will be shipped no later than day 3. Maximum quantities apply for this service.



Available on request. Please enquire about delivery times of these items.

LCM05 / LCM06

Positioneringslijnen



Adjustable Lanyard - LCM05

EN358 - CNB/P/11.062

The work positioning lanyard LCM05 is a manually adjusted tensioner-reducer. This device works on a low-stretch braided rope in polyamide diameter of 12.5 mm.

The LCM05 is compact and ergonomic and perfectly suited for work positioning.

The LCM05 is equipped with a compact, ergonomic tensioner-reducer. The device is made of high-strength aluminium. The tensioner-reducer LCM05 slide along the rope. In the event of a fall or loss of balance, the tensioner automatically locks.

The unit is supplied with braided rope diameter of 12.5 mm and length of 2m, 3m or 4m, equipped with a connector M10 on the tensioner and a connector M40 on the end of the rope

This lanyard is not a fall arrest.

Model	Length (m)	Product Code	Price
LCM 05	2	79122	€121.00
LCM 05	3	79132	€126.00
LCM 05	4	79142	€133.00
Sleeve	-	18192	€22.00

Meer details over de connectors is te vinden op pagina 214



Adjustable Lanyard - LCM06

EN358 - CNB/P/11.062

The work positioning lanyard LCM06 is a manually adjusted tensioner-reducer. This device works on a low-stretch stranded rope in polyamide diameter of 14 mm.

The LCM06 is compact and ergonomic and perfectly suited for work positioning.

The LCM06 is equipped with a compact, ergonomic tensioner-reducer. The device is made of high-strength aluminium. The tensioner-reducer LCM06 slide along the rope. In the event of a fall or loss of balance, the tensioner automatically locks.

The unit is supplied with stranded rope diameter of 14 mm and length of 2m, 3m or 4m, equipped with a connector M10 on the tensioner and a connector M40 on the end of the rope

This lanyard is not a fall arrest.

Model	Length (m)	Product Code	Price
LCM 06	2	79152	€114.00
LCM 06	3	79162	€116.00
LCM 06	4	79172	€121.00
Sleeve	-	18192	€22.00

Meer details over de connectors is te vinden op pagina 214

LD 11 - Braided Rope Lanyard

Restraint lanyards

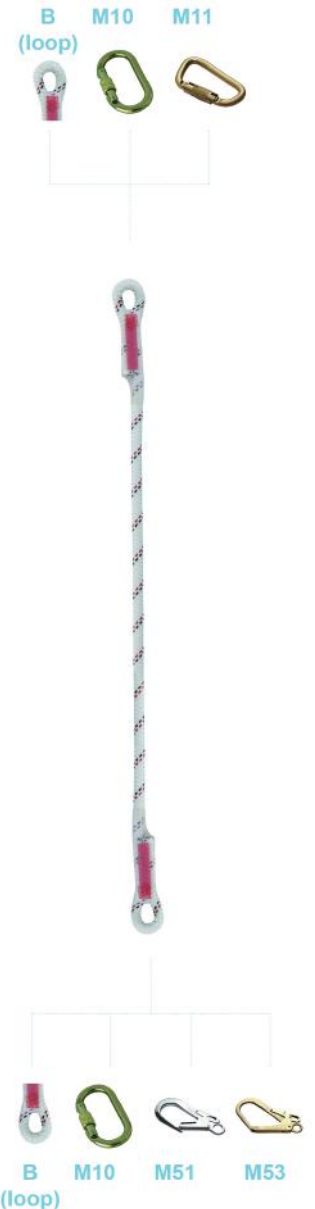
EN354 - CNB/P/11.062

Braided Rope Lanyard \varnothing 11mm made of polyamide of 6.6 tex with extremity uckled and stitched.

LD lanyards are used to prevent the user from entering a fall-hazard zone (area-limiting work). These lines form a connecting element between the harness and the anchor point without a fall arrest system (fall arrestor). These lines should never stop a fall. The length must be chosen so that the user cannot get into a fall situation in any way.

Model	Length (m)	Product Code	Price
LD 1-BB	1	33692	€19.00
LD 1-10-10	1	37762	€32.00
LD 1-10-51	1	40202	€65.00
LD 1-10-53	1	40422	€50.00
LD 1-11-53	1	83952	€59.00
LD 1.5-BB	1,5	37752	€21.00
LD 1.5-10-10	1,5	37772	€34.00
LD 1.5-10-51	1,5	40212	€69.00
LD 1.5-10-53	1,5	40432	€52.00
LD 1.5-11-53	1,5	83962	€60.00
LD 2-BB	2	33702	€22.00
LD 2-10-10	2	37782	€38.00
LD 2-10-51	2	40222	€67.00
LD 2-10-53	2	40442	€52.00
LD 2-11-53	2	83972	€61.00

Meer details over de connectors is te vinden op pagina 214



Order products on day 1, will be shipped no later than day 2

Order products on day 1, will be shipped no later than day 3. Maximum quantities apply for this service.

Available on request. Please enquire about delivery times of these items.

LDF 11 - Braided Rope Lanyard

Restraint lanyards



EN354 - CNB/P/11.062

Double braided Rope Lanyard \varnothing 11mm made of polyamide of 6.6 tex with extremity uckled and stitched.

Double lanyard LDF provides a connecting element between a fixed or mobile anchor points and the attachment point on the harness.

LDF lanyards are used to prevent the user from entering a fall-hazard zone (area-limiting work). These lanyards form a connecting element between the harness and the anchor point without a fall arrest system (fall arrestor).

The double lanyard allows the user to switch between different anchor points and always remain secured. These lanyards should never stop a fall. The length should be selected in such a way that the user cannot get into a fall situation in any way.

Model	Length (m)	Product Code	Price
LDF 0.5/1-BCC	0,5	37962	€36.00
LDF 1 - BBB	1	37842	€30.00
LDF 1-10-10-10	1	40232	€51.00
LDF 1-10-53-53	1	40392	€80.00
LDF 1-11-53-53	1	84222	€105.00
LDF 1-10-51-51	1	37932	€121.00
LDF 1.5-BBB	1,5	37852	€33.00
LDF 1.5-10-10-10	1,5	40242	€54.00
LDF 1.5-11-53-53	1,5	84232	€108.00
LDF 1.5-10-53-53	1,5	40402	€78.00
LDF 1.5-10-51-51	1,5	37942	€117.00
LDF 2-BBB	2	37862	€37.00
LDF 2-10-10-10	2	40252	€58.00
LDF 2-10-53-53	2	40412	€86.00
LDF 2-11-53-53	2	84242	€112.00
LDF 2-10-51-51	2	37952	€120.00

Meer details over de connectors is te vinden op pagina 214

Order products on day 1, will be shipped no later than day 2

Order products on day 1, will be shipped no later than day 3. Maximum quantities apply for this service.

Available on request. Please enquire about delivery times of these items.

LS - Webbing lanyard

Restraint lanyards

EN354 - CNB/P/11.062

Single webbing lanyard, 30 mm-wide strap made of polyester, without shock absorber.

The LS lanyard provides a connecting element between a fixed or mobile anchor points and the attachment point on the harness.

LS lanyards are used to prevent the user from entering a fall-hazard zone (area-limiting work). These lanyards form a connecting element between the harness and the anchor point without a fall arrest system (fall arrestor).

These lanyards must never stop a fall. The length must be selected in such a way that the user cannot enter a fall situation in any way.

Model	Length (m)	Product Code	Price
LS 1-BB - loops	1	10932	€20.00
LS 1-M10-M10	1	12692	€35.00
LS 1.5-BB - loops	1,5	10952	€21.00
LS 1.5-M10-M10	1,5	12712	€36.00
LS 1.5-M10-M51	1,5	35082	€66.00
LS 2-BB - loops	2	10972	€23.00
LS 2-M10-M10	2	12012	€36.00

Meer details over de connectors is te vinden op pagina 214



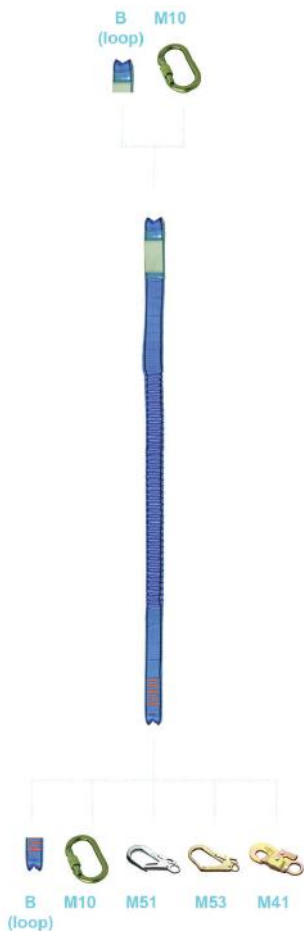
Order products on day 1, will be shipped no later than day 2

Order products on day 1, will be shipped no later than day 3. Maximum quantities apply for this service.

Available on request. Please enquire about delivery times of these items.

LSE - Elastic Webbing Lanyards

Restraint lanyards



EN354 - CNB/P/11.062

Strap elastic webbing lanyard 30 mm, without shock absorber.

The elastic lanyards LSE are lanyards formed by a strap made of rigid polyester fiber woven on an elastic fiber core.

This elastic fiber has elongation properties which allow the lanyard to stretch by one-third of its contracted length.

The outer strap made of polyester fibers woven on the elastic fiber core gives the elastic lanyards LSE excellent resistance to abrasion and cutting when it comes into contact with a sharp edge,.

With respect to standard lanyards, the elastic lanyards LSE provide the advantage of being more compact and therefore more comfortable in use.

With respect to the elastic lanyards currently on the market, formed by a tubular strap with an elastic material inside the lanyard, the Tractel® elastic lanyards LSE provide a much higher degree of resistance to ageing (the strap keeps its elasticity much longer) and has a much more attractive design.

Model	Length (m)	Product Code	Price
LSE 1.5-b-b	1,5	54092	€38.00
LSE 1.5-10-10	1,5	54132	€58.00
LSE 1.5-10-41	1,5	54172	€67.00
LSE 1.5-10-51	1,5	54212	€89.00
LSE 1.5-10-53	1,5	54252	€73.00
LSE 1.75-10-10	1,75	54142	€60.00
LSE 1.75-10-53	1,75	54262	€73.00
LSE 2-b-b	2	54112	€41.00
LSE 2-10-10	2	54152	€62.00
LSE 2-10-51	2	54232	€96.00

Meer details over de connectors is te vinden op pagina 214

Safety connectors

Steel Connectors

EN362



Model	Description	Anchorage Hook Gate Opening	Weight (kg)	Product Code	Price
M10	Manual screw locking	ø 18 mm	0.180	31652	€8.00
M10T	Manual screw locking	ø 18 mm	0,163	76312	€16.00
M11	semi-automatic locking - 17 mm opening	ø 22 mm	0.250	31662	€23.00
M23T	Automatic locking triple safety	ø 17 mm	0.195	59002	€31.00
M24T	Automatic locking double safety	ø 19 mm	0,193	78742	€16.00
M41	Double trigger automatic locking	ø 18 mm	0.267	31722	€16.00
M47	Double trigger automatic locking	ø 18 mm	0.250	33032	€27.00
M53	Double trigger automatic locking	ø 59 mm	0.510	31772	€28.00
M60	Semi-automatic locking	ø 50 mm	0.404	32482	€78.00
M61	Manual screw lock	ø 50 mm	0,404	33082	€72.00
MR9	Manual screw locking	ø 11 mm	0,144	39822	€20.00

Stainless Steel Connectors

EN362



Model	Description	Anchorage Hook Gate Opening	Weight (kg)	Product Code	Price
M31	Automatic locking by spring cover	ø 80 mm	0.310	10432	€36.00
M32	Automatic locking by spring cover	ø 120 mm	0.360	10442	€52.00
M33	Automatic locking by spring cover	ø 150 mm	0.400	10452	€59.00
M10 I	Manual screw locking	ø 18 mm	0,174	44202	€40.00
MR9	Manual screw locking	ø 11 mm	0,144	39822	€20.00

Safety connectors

Aluminium connectors

EN362



Model	Description	Anchorage Hook Gate Opening	Weight (kg)	Product Code	Price
M12	Manual screw locking	Ø 23 mm	0.100	31672	€22.00
M15	Semi-automatic locking	Ø 23 mm	0.090	31692	€43.00
M22	Triple safety lock	Ø 23 mm	0.105	56222	€41.00
M42	Double trigger automatic locking	Ø 21 mm	0.160	31732	€30.00
M51	Double trigger automatic locking	Ø 63 mm	0.480	31752	€57.00
M52	Sliding lock	Ø 60 mm	0.254	31762	€73.00
M54	Double trigger automatic locking	Ø 110 mm	0.910	32462	€170.00



Order products on day 1, will be shipped no later than day 2



Order products on day 1, will be shipped no later than day 3. Maximum quantities apply for this service.



Available on request. Please enquire about delivery times of these items.

Steel connectors

EN 362



M10

- Permanent connection
- High capacity range 150kg
- Manual screw locking
- Carbon steel yellow zinc
- Opening \varnothing 15 mm



M10T

- Permanent connections.
- High capacity range 150kg
- Manual screw locking
- Carbon steel yellow zinc
- Opening \varnothing 18 mm

Model with captive pin. The pin is supplied separately and needs to be fitted by the user. Once fitted, the components cannot be disassembled.



M11

- Frequent connection
- High capacity range 150kg
- Twist lock
- Carbon steel yellow zinc
- Opening \varnothing 17 mm



M23T

- Frequent connection
- High capacity range 150kg
- Triple safety lock
- Carbon steel yellow zinc
- Opening \varnothing 17 mm

Model with captive pin. The pin is supplied separately and needs to be fitted by the user. Once fitted, the components cannot be disassembled.



M24T

- Frequent connections.
- High capacity range 150kg
- Double safety lock
- Carbon steel yellow zinc
- Opening \varnothing 19 mm

Model with captive pin. The pin is supplied separately and needs to be fitted by the user. Once fitted, the components cannot be disassembled.



M41

- Frequent connection
- High capacity range 150kg
- Double safety lock
- Carbon steel yellow zinc
- Opening \varnothing 18 mm

Double automatic safety closure, no risk of the user forgetting to lock his connector, increased security.

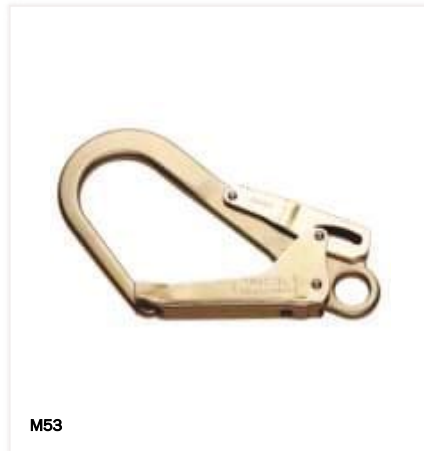
Steel connectors

EN 362



M47

- Frequent connection
- High capacity range 150kg
- Double lock
- Twist
- Carbon steel yellow zinc
- **Without fall indicator**
- Opening \varnothing 17 mm



M53

- Frequent connection on structures
- High capacity range 150kg
- Double safety lock
- Carbon steel yellow zinc
- Opening \varnothing 53 mm



M60

- Frequent connection
- High capacity range 150kg
- Twist lock
- Carbon steel yellow zinc
- Opening \varnothing 47 mm



M61

- Permanent connection
- High capacity range 150kg
- Manual screw locking
- Carbon steel yellow zinc
- Opening \varnothing 47 mm

Model with captive pin. The pin is supplied separately and needs to be fitted by the user. Once fitted, the components cannot be disassembled.

Stainless steel connectors

EN 362



M31

- Frequent connection on tubular framework
- High capacity range 150kg
- Double safety lock
- Stainless steel
- Opening 75 mm



M32

- Frequent connection on tubular framework
- High capacity range 150kg
- Double safety lock
- Stainless steel
- Opening 100 mm



M33

- Frequent connection on tubular framework
- High capacity range 150kg
- Double safety lock
- Stainless steel
- Opening 140 mm



- Permanent connection
- High capacity range 150kg
- Manual screw locking
- Body : Stainless steel
- Opening 17 mm



MR9

- Permanent connection
- High capacity range 150kg
- Manual screw locking
- Stainless steel 316l
- Opening \varnothing 11 mm

Aluminium connectors

EN 362



M12

- Permanent connection
- Manual screw locking
- Aluminium
- Opening \varnothing 23 mm



M15

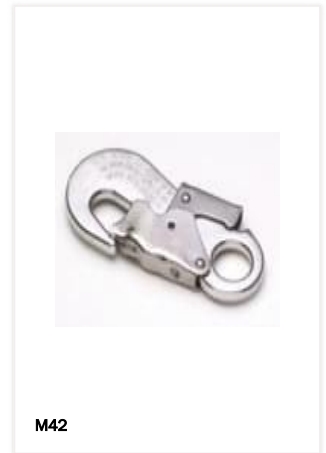
- Frequent connection
- Triple safety lock
- Aluminium
- Opening \varnothing 23 mm



M22

- Frequent connection
- Triple safety lock
- Aluminium
- Opening \varnothing 23 mm

Model with captive pin. The pin is supplied separately and needs to be fitted by the user. Once fitted, the components cannot be disassembled.



M42

- Frequent connection
- Double safety lock
- Aluminium
- Opening \varnothing 18 mm



M51

- Frequent connection on structures
- Double safety lock
- Aluminium
- Opening \varnothing 60 mm



M52

- Frequent connection
- Sliding lock
- Aluminium
- Opening \varnothing 59 mm



M54

- Frequent connection on structures
- Double safety lock
- Aluminium
- Opening \varnothing 110 mm

Anchor points

Applicable standards : EN 795

Before selecting an anchor point, it is essential to determine where it will be installed. The strength of the structure supporting the anchor point must be considered.

EN 795 Type A

Anchor devices which require one or more structural anchors to be secured.

- PAS
- PA anchor
- ringsafe
- PO



- ringflex
- Roof anchor
- Anchor posts



EN 795 Type B

Temporary and transportable anchor devices.

- AS19S
- AS19S GA
- AS30S
- Corso
- Rollclamp



- Rollbeam
- Ballsafe
- Door anchor
- Tempo 2
- Tempo 3
- Tirsafe



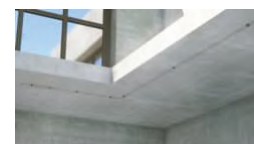
EN 795 Type C

Anchor devices using a flexible horizontal anchor line.

- Travsafe
- Travflex 2
- Travsmart



- Travspring
- Travspring One



EN 795 Type D

Anchor devices using a rigid horizontal anchor line.

- Travrail



EN 795 Type E

Deadweight anchor devices.

- Mobifor



Anchor points

Type A anchor points: fixed anchor points

Anchor - PA

EN795-A - CEN/TS16415 for use by two people



Tested to stop the fall of 2 users, 150kg

Tested to stop the fall of two operators weighing 150kg each (including the weight of their equipment)

- Aluminium anchor point
- Secured with M12 screw at 100mm intervals
- Includes traceability label

Model	Product Code	Price
PA Aluminium	64488	€29.00
PA Black	64448	€33.00
PA Grey	64458	
PA Red	64438	€32.00
PA Yellow	64468	€33.00

Anchor - PO

EN795-A - CEN/TS16415 for use by two people



Tested to stop the fall of 2 users, 150kg

Tested to stop the fall of two operators weighing 150kg each (including the weight of their equipment)

- Stainless steel.
- Includes traceability label.

Model	Product Code	Price
PO Anchor	196428	€30.00

Anchor - Ringsafe

EN795-A



Tested to stop the fall of 1 user, 150kg

Tested to stop the fall of one operator weighing 150kg (including the weight of his equipment)

- Includes fall indicator.
- Stainless steel.

Model	Product Code	Price
Ringsafe Anchor	76299	€26.00

Anchor - PAS

EN795-A



Tested to stop the fall of 1 user, 150kg

Tested to stop the fall of one operator weighing 150kg (including the weight of his equipment)

- Stainless steel.

Model	Product Code	Price
PAS Anchor	196418	€16.00

Anchor points

Type A anchor points: fixed anchor points

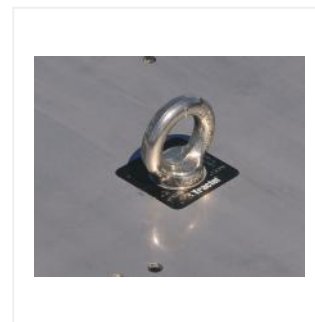
Anchor - Ringflex

EN795-A - CEN/TS16415 for use by two people

The Ringflex anchor point is designed for installation on flexible roofs of corrugated tray (steel or aluminium), dry tray or rolled tray (top seal) types.

The Ringflex is installed by means of different anchor plates, specific to each type of roof.

Model	Product Code	Price
Ringflex anchor ring single item	193858	€36.00
Universal plate for extremity and intermediate bracket in galvanised steel (thickness 3mm)	207788	€104.00
Universal plate for extremity and intermediate bracket in stainless steel (thickness 3mm)	206888	€167.00
Kit 4 clamps + 1 bolt M16	232577	€238.00
Kit 12 rivets + rubber sealing bands + 1 bolt M16	232587	€62.00



Tested to stop the fall of 2 users,
150kg

NB : The ringflex is sold without an anchor plate.

*For using universal plate, you have to order 4 clamps or 12 rivets.

Anchor points

Type A anchor points: fixed anchor points



Tested to stop the fall of 1 user,
100kg



Order products on day 1, will be shipped no later than day 2



Order products on day 1, will be shipped no later than day 3. Maximum quantities apply for this service.



Available on request. Please enquire about delivery times of these items.

Anchor - Roof Permanent Anchor

EN795-A

Tractel roof anchor points are designed to support a ladder and attached fall prevention devices.

They are secured directly into wooden roof trusses using annealed crampons or spikes.

- Materials: Galvanised or stainless steel.

Model	Product Code	Price
galvanized, flat	66618	€66.00
galvanized, curved	66628	€58.00
galvanized, twisted	66638	€70.00
stainless steel, flat	66648	€231.00
stainless steel, curved	4748	€3,564.00
stainless steel, twisted	66668	€193.00
spike 50 mm	66928	€21.00
spike 90 mm	66938	€20.00
spike 130 mm	66948	€24.00
galvanized, annealed tips	66958	€17.00

Dynaline - Dynaplug

Measuring equipment for fixed anchor points

Dynaline HF 45

Specific model, based on HF37 technology, adapted to measure precisely tension in lifelines.

- Quick direct mounting on the wire or rope thanks to modified fixing hooks
- Capacity range from 50 to 600 kg
- Specific lifeline wire rope database
- 3% accuracy of measuring range, if wire rope and diameter included in the database
- Compatible with diameters from 8 to 12 mm
- LCD display directly on the sensor
- Possibility to add a wire or rope in the database

Model	W.L.L	Rope Diameter	Product Code	Price
Kit Dynaline HF45/1/LPT	50 - 600	8 - 12	187998	€5,509.00
Specific wire rope calibration	-	-	111347	€395.00



Dynaplug HF 44

The Dynaplug anchor tester is an electronic load cell designed to measure anchor strength in construction material. Its shape as a tripod has been especially designed to minimize its influence on the concrete around the fixing.

- Stand-alone anchor tester
- Capacity range from 1 500 to 5000 daN
- 0.5% accuracy of measuring range
- Height of legs adjustable between 70 and 190 mm
- Multiple accessories provided with the tester
- LCD display integrated on the device
- Data saving and possibility to monitor the tension on a PC in option

Model	W.L.L	Product Code	Price
Kit Dynaplug HF44/1/LPT	1500	190028	€4,948.00
Kit Dynaplug HF44/2/LPT	2500	190038	€6,146.00
Kit Dynaplug HF44/3/LPT	5000	190048	€8,496.00



Anchor Tester TA

Anchor testers TA are test specimens endowed with a breaking section calibrated to break under a determined traction force. The anchor tester must be installed between the anchor point to be tested and the loading

device by means of shackles or any other adequate mechanical connection.

- Quick and reliable test
- Unique usage
- Capacity range from 600 to 4000 daN
- Breaking tolerance $\pm 10\%$

Model	Breaking load (daN)	Product Code	Price
TA 600 - 20 plates	600	193269	€190.00
TA 1000 - 20 plates	1 000	261769	€284.00
TA 1200 - 20 plates	1 200	261779	€265.00
TA 1500 - 20 plates	1 500	193279	€282.00
TA 2000 - 20 plates	2 000	193289	€285.00
TA 4000 - 10 plates	4 000	193299	€252.00




Ankerpalen

Gegalvaniseerd ankerpalen

EN795-A

- Ankerpaal met RVS ankerroog
- Doorsnede 70x70 mm, vervaardigd uit gegalvaniseerd staal.

-  Getest om de val van 1 gebruiker, 100 kg, te stoppen



Vierkante voetplaat



Vierkante voetplaat 20° hellend



Rechthoekige voetplaat



Voetplaat voor daknokken

Hoogte: 250mm

Model	Product Code	Price
Anchor post with a square base plate 270 x 270 mm.	72178	€204.00
Anchor post with a square base plate 270 x 270 mm, 20° inclined.	72318	€252.00
Anchor post with a rectangular base plate 352 x 160 mm.	72038	€185.00
Anchor post with a base plate for roof ridges 350 x 370 mm.	72048	€248.00

Hoogte: 500mm

Model	Product Code	Price
Anchor post with a square base plate 270 x 270 mm, 20° inclined	72328	€212.00
Anchor post with a rectangular base plate 352 x 160 mm.	72058	€202.00
Anchor post with a base plate for roof ridges 350 x 370 mm.	72068	€311.00

Hoogte: 750mm

Model	Product Code	Price
Anchor post with a square base plate 270 x 270 mm.	72338	€397.00
Anchor post with a rectangular base plate 352 x 160 mm.	72348	€279.00

 Bestel producten op dag 1, worden uiterlijk op dag 2 verzonden.

 Bestel producten op dag 1, worden uiterlijk op dag 3 verzonden. Hiervoor gelden maximale hoeveelheden.

 Op aanvraag verkrijgbaar. Informeer naar de levertijden van deze artikelen.

Ankerpalen

Geïsoleerde ankerpalen

EN795-A

Geïsoleerde ankerpalen met een RVS ankerroog. Doorsnede 70x70 mm, vervaardigd uit gegalvaniseerd staal, met thermische bescherming. Ze zijn ontworpen om het risico op condensatie in de winter weg te nemen wanneer de buitentemperatuur onder 0° C zakt. Ze zorgen er ook voor dat de dakisolatie optimaal blijft, verminderen de verspilling van warmte-energie en beschermen de paal door de RVS buitenbekleding.



Getest om de val van 1 gebruiker, 100 kg, te stoppen



Vierkante voetplaat



Vierkante voetplaat 20° hellend



Rechthoekige voetplaat



Voetplaat voor daknokken

Hoogte: 250mm

Model	Product Code	Price
Anchor post with a square base plate 270 x 270 mm.	186548	POA
Anchor post with a square base plate 270 x 270 mm, 20° inclined.	186558	POA
Anchor post with a rectangular base plate 352 x 160 mm.	186568	POA
Anchor post with a base plate for roof ridges 350 x 370 mm.	186578	POA

Hoogte: 500mm

Model	Product Code	Price
Anchor post with a square base plate 270 x 270 mm.	186588	€565.00
Anchor post with a square base plate 270 x 270 mm, 20° inclined.	186598	€332.00
Anchor post with a rectangular base plate 352 x 160 mm.	186608	€313.00
Anchor post with a base plate for roof ridges 350 x 370 mm.	186618	€383.00

Hoogte: 750mm

Model	Product Code	Price
Anchor post with a square base plate 270 x 270 mm.	186628	€453.00
Anchor post with a rectangular base plate 352 x 160 mm.	186638	€441.00

Accessoires


Model	Product Code	Price
Sealing collar for post section 70 x 70 mm	129505	€32.00
Back plate in galvanized steel ep. 10 mm for post 70 x 70mm height 250 and 500 mm square plate 270 x 270 mm	130995	€129.00
Back plate in galvanized steel ep. 10 mm for post 70 x 70 mm height 750 mm square plate 270 x 270 mm	133295	€115.00

Ankerpalen

RVS ankerpalen

EN795-A

- Ankerpalen met een roestvrijstalen ankerroog. 80x80 mm doorsnede
- Gemaakt van roestvrij staal

-  Getest om de val van 1 gebruiker, 100 kg, te stoppen



Vierkante voetplaat



Rechthoekige voetplaat



Voetplaat voor daknokken


Hoogte: 250mm

Model	Product Code	Price
Anchor post with a square base plate 270 x 270 mm.	186748	€415.00
Anchor post with a rectangular base plate 352 x 160 mm.	186758	€664.00
Anchor post with a base plate for roof ridges 350 x 370 mm.	186768	€518.00

Hoogte: 500mm

Model	Product Code	Price
Anchor post with a square base plate 270 x 270 mm.	186778	€650.00
Anchor post with a rectangular base plate 352 x 160 mm.	186788	€464.00
Anchor post with a base plate for roof ridges 350 x 370 mm.	186798	€611.00

 Bestel producten op dag 1, worden uiterlijk op dag 2 verzonden.

 Bestel producten op dag 1, worden uiterlijk op dag 3 verzonden. Hiervoor gelden maximale hoeveelheden.

 Op aanvraag verkrijgbaar. Informeer naar de levertijden van deze artikelen.

Ankerpunten

Type B ankerpunten: mobiele ankerpunten

Anchor AS19S

EN795-B

- To create an anchor point on a frame.
- Width 19 mm.



Getest om de val van 1 gebruiker, 150kg, te stoppen

Model	Product Code	Price
AS19S - 0.6 m	38382	€12.00
AS19S - 0.8 m	38392	€13.00
AS19S - 1.0 m	38402	€13.00
AS19S - 1.5 m	80852	€17.00
AS19S - 2 m	72152	€25.00
Sleeve	18192	€22.00

AS19S GA ankerstrop

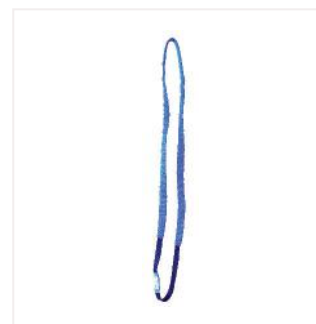
EN795-B

Ring (supplied without connector) for anchoring on a structure on which a fall-arrest system has been installed.

The AS19S GA is delivered with a protective sleeve against sharp or abrasive edges made of kevlar. The kevlar sheath provides optimum protection against cuts and abrasion.

This product comes equipped with [Tracinfo](#), an online service that simplifies the way you access product documentation. With [Tracinfo](#), you can get instant access to manuals, certificates, and more with just a few clicks.

Model	Product Code	Price
AS19S GA - 0.6 m	81412	€28.00
AS19S GA - 0.8 m	81422	€30.00
AS19S GA - 1 m	81432	€31.00
AS19S GA - 1.5 m	81452	€34.00
AS19S GA - 2 m	81462	€37.00



Getest om de val van 1 gebruiker, 150kg, te stoppen

Ankerpunten

Type B ankerpunten: mobiele ankerpunten

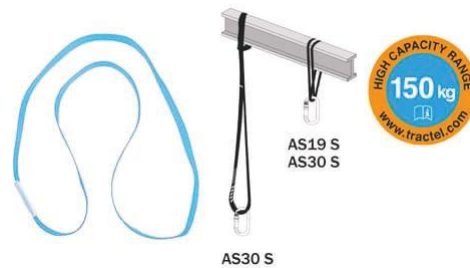


Getest om de val van 1 gebruiker, 150kg, te stoppen

Anchor AS30S

EN795-B

- To create an anchor point on a frame.
- Width 30 mm.



Model	Product Code	Price
AS30S 0.6m	57272	€16.00
AS30S 0.8m	57282	€17.00
AS30S 1m	57292	€18.00
AS30S 1.2m	59372	€19.00
AS30S 1.5m	59382	€19.00
AS30S 2m	59392	€21.00
Sleeve	18192	€22.00



Getest om de val van 1 gebruiker, 150kg, te stoppen

Corso balkklem


EN795-B

corso clamp beam clamp with adjustable threaded bar.

- Compact and strong construction.
- Fast and simple adjustment to section.

Model	Weight (kg)	Product Code	Price
corso LT-1B Beam Clamp	4.380	97929	€247.00

 Bestel producten op dag 1, worden uiterlijk op dag 2 verzonden.

 Bestel producten op dag 1, worden uiterlijk op dag 3 verzonden. Hiervoor gelden maximale hoeveelheden.

 Op aanvraag verkrijgbaar. Informeer naar de levertijden van deze artikelen.

Ankerpunten

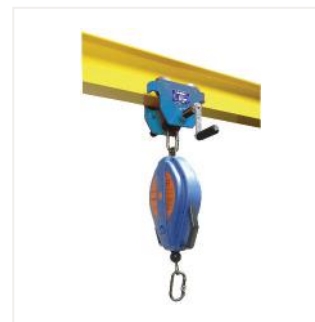
Type B ankerpunten: mobiele ankerpunten

Rollbeam

EN795-B

- Push trolley.
- Travels on lower iron footplate.

Model	Description	Weight (kg)	Product Code	Price
rollbeam SB	Standard - adjustable from 58 - 220 mm	11,7	54369	€353.00
rollbeam LB	Extra wide - adjustable from 220 - 300 mm	12,7	88559	€469.00



Getest om de val van 1 gebruiker, 150kg, te stoppen

Rollclamp

EN795-B

Enables the creation of a mobile anchor point on an R.S.J. and the ability to work safely while retaining a wide range of movement. Thanks to its 4 bearing rollers, the rollclamp follows movement around the framework with minimal user intervention.

- Medium adjustable: 90- 400 max.
- Large adjustable: 200 - 615 max.
- Can be installed on the upper or lower soleplate.
- rollclamp Weight: M 1.48 kg and L 2.04 kg.

Model	Weight (kg)	Product Code	Price
medium	1.500	86009	€565.00
large	2.080	86019	€769.00



Getest om de val van 1 gebruiker, 150kg, te stoppen

Ankerpunten

Type B ankerpunten: mobiele ankerpunten



Getest om de val van 2 gebruikers, 100kg, te stoppen

Anchor - Ballsafe

The ballsafe anchor point is made up of a four block plug and a female socket. It is sealed into concrete or a material of equal density using a chemical compound.

Model	Product Code	Price
ballSafe eye	89776	€423.00
ballSafe female socket	89786	€72.00



Getest om de val van 2 gebruikers, 150kg, te stoppen



Door anchor bar 150kg

The Tractel® door bar anchor is a mobile anchor point that complies with the EN 795B standard.

This bar has been specially designed to create a reliable and quick to install anchor point. It is positioned in the opening of a sufficiently strong window or door.

This product is designed for people accessing area with a risk of fall from height in the vicinity of a door or window such as in construction sector or during the inspection of the building façade.

The door anchor bar is adjustable from 640 to 1100 mm.

It can be used simultaneously by 2 operators of 150 kg each.

It is made of galvanised steel and measures 1410 x 110 x 170mm and weighs 9 kg.

This product comes equipped with [Tracinfo](#), an online service that simplifies the way you access product documentation. With [Tracinfo](#), you can get instant access to manuals, certificates, and more with just a few clicks.

Model	Weight (kg)	Product Code	Price
Door anchor bar 150kg	9	294649	€500.00



Door anchor bag

Model	Product Code	Price
Transport bag	68752	€133.00

Telescopische stok

Aankoppelen valbeveiliging aan ankerpunt op afstand

EN795-B

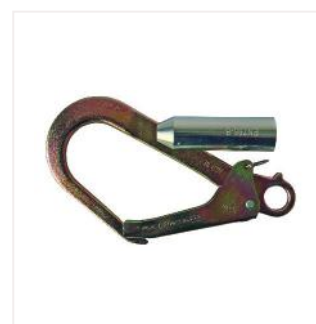
6 meters long pole. Enables the setting up of a lifeline from the ground.

- polyester pole
- With adapter for karabiner AM53 or AM54
- Pole weight : 2.685 kg
- Karabiner weight : 0.765 kg

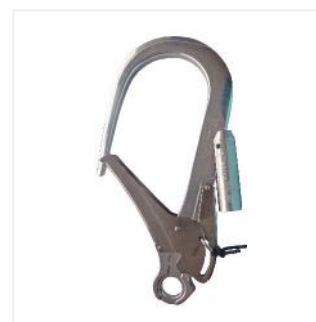
This product comes equipped with [Tracinfo](#), an online service that simplifies the way you access product documentation. With [Tracinfo](#), you can get instant access to manuals, certificates, and more with just a few clicks.

Model	Product Code	Price
Pole- 6 meter long	106697	€245.00
AM53 connector	106117	€173.00
AM54 Connector	113427	€362.00

NB: De paal en de connector worden afzonderlijk verkocht.



AM53 connector



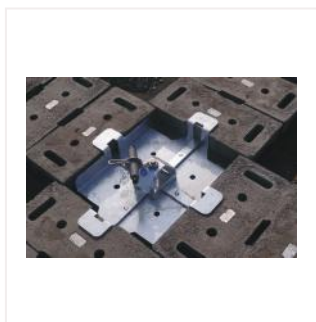
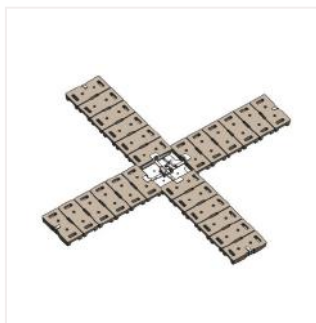
AM54 connector

Mobifor

Doodgewicht ankerpunt voor installatie op platte daken en plaatsen met valrisico

NIEUW

Integreer dit product met behulp van BIM-modellen en 3D-bestanden. Ga naar de downloads op de productpagina van onze website..



Getest om de val van 1 gebruiker, 100kg, te stoppen.

EN795-E

The Mobifor is a revolutionary, deadweight anchoring system, for installation on flat roofs and fall risk areas. The set consists of 24, steel-reinforced, concrete blocks, positioned on four steel arms. The arms are connected at the centre by a joining plate equipped with a rotary anchor point with an energy dissipater.

SPECIFICATION

- 4 arms made of galvanised steel.
- 24 concrete weights.
- Rotary anchor point.
- Conforms to standard EN 795-E.

NO TOOLS REQUIRED

- The connecting plate is set up with no need to drill holes in the roof.
- The arms click easily into the plate.
- Weights automatically interlock.

EASY TO SET UP

- Takes less than 5 minutes to set up.
- The system uses ergonomic weights with large handles.
- Overall weight is distributed across 24 separate weights making it easy to lift and carry.
- The weights are easy to install on the arms.

ENHANCED FALL PROTECTION

- 360 degree movement possible thanks to the rotary anchor point.
- Compatible with a variety of fall arrest devices.

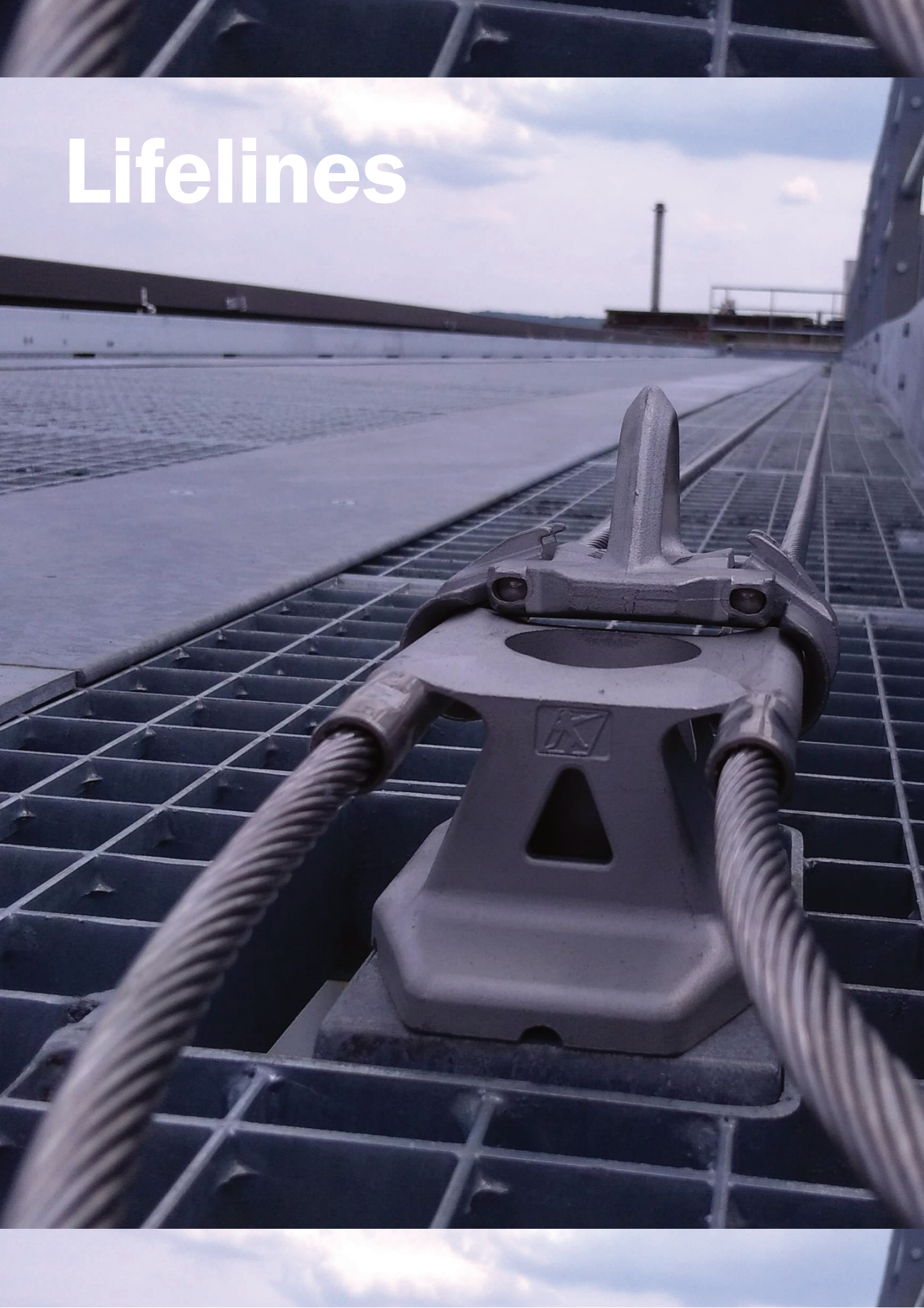
EXTREMELY VERSATILE

- Adapts to all horizontal roofs meeting European requirements.
- Its weight and volume allows for installation in places where traditional anchoring systems cannot be installed.
- Can be placed on a slope with an inclination of up to 5 degrees.
- Can be installed without penetrating the roof surface.
- Can be installed on the following roof surfaces: EPDM, bitumen, PVC.

Model	Weight (kg)	Product Code	Price
Mobifor mobile anchor point	650	279409	€1,887.00

Bij de installatie en het onderhoud van lichtkoepels op platte of licht hellende sheddaken bestaat het risico dat de gebruiker wordt blootgesteld aan een slingereffect en aan grote remafstanden, zelfs binnen de omtrek van de dakrandlijn. Door het gecombineerde gebruik van twee Blocfor apparaten verbonden met twee Mobifor ankerpunten kunt u de interventieafstanden verkleinen. Voor meer informatie over een specifieke toepassing kunt u contact opnemen met onze Customer Service.

Lifelines



Temporary lifelines

Type B anchor points: mobile anchor points



Tempo 2 - Temporary Lifeline

EN795 - CEN/TS16415

Tempo 2 is a temporary lifeline, easy and quick to install when there are two anchoring points offering sufficient resistance (28 kN). Lightweight, it allows total freedom of horizontal movement. The Tempo 2 lifeline can be installed on the ridge tiling of a roof or onto a metal structure.

- Synthetic fibre webbing straps, adjustable from 5 to 20 m.
- Can be used by 2 people.
- 7 metres clearance.
- Supplied with 2 AS30S webbing strap rings, 2 MR9 connectors and a shoulder bag.

Model	Product Code	Price
Tempo 2 kit	206018	€208.00



Tempo 3 - Braided Rope - Temporary Lifeline

EN795 - CEN/TS16415

Tempo 3 is a compact, temporary lifeline, and is the fastest, most efficient lifeline available on the market.

Using a static rope, N.G.R reinforced, and a tensioning system, the tempo 3 allows for simultaneous use by 3 users. This lifeline offers the possibility of setting up a temporary lifeline with a maximum length of 18 metres between two anchor points of sufficient strength (15 kN).

- Static rope line, N.G.R reinforced, adjustable from 5 to 18 m.
- Supplied with two AS30S webbing strap rings, 2 M10 connectors and a shoulder bag.

Model	Product Code	Price
Tempo 3 kit	207068	€333.00



Tirsafe Wire Rope Temporary Lifeline

EN795 - CEN/TS16415

Tirsafe T3 is a temporary lifeline that is easy and quick to install when there are two anchoring points offering sufficient support (30 kN). It allows for total freedom of horizontal movement. Adjustable from 5 to 30 m.

The Tirsafe T3 temporary lifeline includes:

- 1 anchoring point with Tirsafe T3 energy shock-absorber.
- 1 tirfor T3 cable winch.
- 2 x 2 metre slings.
- The Tirsafe T3 temporary lifeline guarantees the safety of 3 people.

Model	Description	Product Code	Price
Tirsafe kit	with a 20m, 8.3 mm diameter cable	280559	€1,313.00
Tirsafe kit	with a 30m, 8.3 mm diameter cable	276149	€1,373.00

Permanente levenslijnen

EN 795-C:2012, CEN/TS 16415:2013

Permanent lifelines are part of fall arrest systems when they are used as the anchor solutions. As an anchor solution, their certification is related to the norm EN 795 of 2012 for single user and CEN/TS 16415 of 2013 for multi users.

Permanent lifelines are designed to stop the fall of one (or more, as specified below) users and to absorb part of the energy transmitted to the supporting structure. When used as a part of a fall arrest system, the user must always wear a safety harness and a fall arrester with shock absorber limiting the impact of the fall to 600daN on his body.

Tractel offers a wide range of permanent lifelines including a rigid rail solution to suit best each application.

	Travsafe	Travrail	Travflex 2	Travsmart	Travspring	Travspring One
Intermediate anchor crossing (Comfort of use)	Excellent, away from the lifeline	Excellent, away from the lifeline	Good, away from the lifeline	Good, away from the lifeline	Manual and near to the lifeline	Manual, near to the lifeline & disconnecting from the lifeline
Lifeline length	Up and above 200m		Up to 200m			
Frequency of use	Daily		Regular		Occasional	
Sliders availability	Standard, Opening, Rollsafe for overhead	Standard, Rolling/rope access, Rope access for wall	Bi-directional slider ³		Not available	
Installation type						
Overhead	☐	☐	-	☐	-	-
Wall and floor				☐		
Distance between anchor¹	30 m	6 m	15 m			
Deflection of the lifeline¹ (Configuration: 5x 15m, 1 user 150kg)	1,4 m (with bi material absorber ring 2.94 m)	0 m (with 6m between brackets)	3 m	2,8 m	2,8 m	2,8 m
Force on end anchor¹ (Configuration: 5x 15m, 1 user 150kg)	High 28 kN	Low 7 kN ²	Lowest 6 kN	Low 7 kN	Medium 10 kN	Medium 10 kN
Specific installation	Heavy structure	Standard structure	Lightweight structure	Standard structure		
Maximum of simultaneous user	3 x 150 kg or 5 x 100 kg	3 x 100 kg	2 x 150 kg or 3 x 100 kg	3 x 150 kg or 5 x 100 kg		
Main material	Stainless steel or galvanised steel	Aluminium	Stainless steel or galvanised steel			Galvanised steel

¹ (depending on the specific configuration of the lifeline)

² (irrelevant of the number of simultaneous user with max weight of 100 kg)

³ (switch from one side to the other side of the wire rope without disconnecting)



Travsafe

Lifeline with 2 cables



Tested to stop the fall of
3 users, 150kg,

OR



5 users, 100kg



EN795-C - CEN/TS16415

The new Travsafe lifeline is an evolution of the previous version. It complies with the European norm EN795-C and the CEN/TS16415 for multi-user. The Travsafe lifeline with its two cables is the most efficient and sophisticated lifeline on the market.

As an extension of Tractel High Capacity Range, the Travsafe lifeline is now certified for user weighing up to 150kg including all their equipment.

This lifeline is certified for a simultaneous use for a maximum of 5 users 100kg or 3 users 150kg.

Tractel has performed compatibility tests for all of its self-retracting fall arrester (EN360) and guided type fall arresters (EN353-2) rated 150kg on the Travsafe lifeline. All lanyards certified EN 355 can be used with the Travsafe lifeline.

Thanks to its specific design, the slider easily moves past the intermediate cable brackets, with no need for any manual intervention.

Two versions are now available:

- Travsafe with stainless steel shock absorber rings
- Travsafe with two-material shock absorber ring

These two Travsafe lifeline versions are designed for overhead, on wall or ground installations. The anchors can be installed on any structure or by using post interfaces. Intermediate anchors must be positioned no more than 15 meters apart.

When configured in stainless steel (anchors, wire ropes and absorber rings), the Travsafe offers the possibility to have a distance between anchors from **0.8m to 30m** in both single span and multi spans configuration.

The Travsafe is particularly well suited for long applications (over 200m). On overhead application, the Rollsafe slider ensures a smooth gliding of any fall arrester (including heavy self-retracting block) on the twin system.

For more information please contact Tractel.

Travsafe

Lifeline with 2 cables

Start kits and sets allow you to have the basic elements to build your lifeline. Then add the length of wire rope needed for your project. If applicable, you should also incorporate compatible intermediate anchors and curve kits. Don't forget your Travsafe sliders.

Galvanised wire ropes

Model	Product Code	Price
Travsafe startkit GA1 galvanised wire rope, aluminium anchors & stainless steel absorbers	277467	€400.00
Travsafe startkit GS1 galvanised wire rope, stainless steel anchors & absorbers	277487	€400.00
Travsafe startkit GA2 galvanised wire rope, aluminium anchors & bi-material absorbers	277507	€460.00
Travsafe startkit GS2 galvanised wire rope, stainless steel anchors & bi-material absorbers	277527	€460.00
Start kit galvanised - 5m	277547	€43.00
Additional meter of wire rope galvanised	274247	€6.00

Stainless steel wire ropes

Model	Product Code	Price
Travsafe startkit SS1 stainless steel wire rope, stainless steel anchors & rings	277497	€400.00
Travsafe startkit SS2 stainless steel wire rope, stainless steel anchors & bi-material absorbers	277537	€460.00
Start kit stainless steel - 5m	277557	€85.00
Additional meter wire rope stainless steel	274257	€13.00

Tussensteunen en absorptieringen

Model	Product Code	Price
Travsafe Intermediate aluminium anchor	20715	€60.00
Travsafe Intermediate stainless steel anchor	126435	€94.00
Kit stainless steel absorbers (4x)	293679	€30.00
Kit bi-material absorbers (4x)	293689	€54.00
Curve kit stainless steel anchors & stainless steel absorbers	74317	€163.00
Curve kit stainless steel anchors & bi-material absorbers	193048	€235.00

Travellers & accessories

Model	Product Code	Price
Standard slider	76149	€273.00
Opening slider	76159	€420.00
Rollsafe slider	251649	€492.00

Model	Product Code	Price
Additional sign plate EN/FR/DE/IT/ES/NL	277127	€24.00
Kit language EN/RU/DK/PT/PL	293649	€46.00
Additional sign plate EN/RU/DK/PT/PL	277237	€27.00
Travsafe post galvanised 500mm	104565	€395.00
Counter plate Travsafe™ post	130995	€129.00
Curve plate for post installation	114375	€98.00
	20875	€109.00



startkit contents:

- 2x End stops
- 4x Absorption rings
- 4x Stop rings
- 4x Red covers
- 1x Installation manual in EN/FR/DE/NL/IT/ES
- 1x Type plate in EN/FR/DE/NL/IT/ES

Example:

I want a stainless steel Travsafe lifeline in single span of 30 metres.

I need to order:

- 1x Travsafe start kit SS1

Stainless steel wire rope 1

- 1x start kit stainless steel wire rope
- 25x stainless steel wire rope

Stainless steel wire rope 2

- 1x start kit stainless steel wire rope
- 25x stainless steel wire rope



Standard traveller



Opening slider



Rollsafe slider

Travflex 2

Single cable lifeline



Tested to stop the fall of
2 users, 150kg,

OR



3 users, 100kg



EN795-C - CEN/TS16415

The new Travflex 2 lifeline is an evolution of the previous version. It complies with the European norm EN795-C and the CEN/TS16415 for multi-user.

As an extension of Tractel High Capacity Range, the Travflex 2 lifeline is now certified for user weighing up to 150kg including all their equipment.

This lifeline is certified for a simultaneous use for a maximum of 3 users 100kg or 2 users 150kg.

Intermediate anchors must be positioned no more than 15 meters apart.

Tractel has performed compatibility tests for all of its self-retracting fall arrester (EN360) and guided type fall arresters (EN353-2) rated 150kg on the Travflex 2 lifeline. All lanyards certified EN 355 can be used with the Travflex 2 lifeline.

Travflex 2 is the dedicated Tractel lifeline for light structure. Combined with the universal plate, it can be installed on a large range of light structures such as steel deck, sandwich panel and standing seam.

The Travflex 2 lifeline is certified for the following installation: on a wall, on an inclined surface up to 15° or on the ground.

The Travflex 2 lifeline advantages:

MEETS THE USER'S NEEDS:

- Choices of installations and uses (ergonomics).
- Automatic anchor crossing thanks to the travsmart slider.
- The user can work on either side of the lifeline without the need to disconnect (improved safety).
- Wire rope available in galvanized steel or stainless steel.

MEETS THE INSTALLER'S NEEDS:

- No special tools are required for the installation of the lifeline.
- Thanks to the wedge socket, the risk of the cable clamp nuts coming loose over time is fully eliminated.
- Quick and easy installation of the lifeline thanks to the design of the intermediate anchor.
- In the event of a fall, there is no need to fully dismantle the lifeline. Simply loosen the cable to remove and reinstall the failed intermediate supports (installation time reduced).

The kits Travflex 2 include two end anchors respectively in stainless steel or galvanised steel.

For more information please contact Tractel.

Travflex 2

Levenslijn met enkele kabel

Start kits and kits allow you to have the basic elements to build your lifeline.

Then add the length of cable needed for your project.

If applicable, you should also incorporate compatible intermediate and turn anchors.

Don't forget your slider.

Model	Product Code	Price
Kit Travflex 2 galva	293629	€940.00
Start kit galvanised 5M	57252	€63.00
Additional meter galvanised wire rope	238497	€6.00
Travsmart / Travflex 2 slider	251349	€480.00

Model	Product Code	Price
Kit Travflex 2 stainless steel	293639	€990.00
Start kit stainless steel	57262	€102.00
Additional meter of stainless steel wire rope	277137	€10.00
Travsmart / Travflex 2 slider	251349	€480.00

Model	Product Code	Price
Intermediate anchor	100398	€120.00
Curve kit stainless steel for installation on concrete	100628	€416.00
Curve kit stainless steel for installation on plate	100418	
Curve kit galvanised for installation on concrete	100618	€376.00
Curve kit galvanised for installation on plate	100408	€376.00
Additional sign plate	277127	€24.00
Riveter machine	100568	€1,045.00


Exemple:

I wish to install a Travflex 2 lifeline with galvanized cable for application on rigid structure, 45 m.

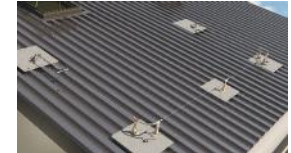
I have to order :

- 1 kit Travflex 2 galva
- 1 start kit galva
- 40 meters of galva cable (start kit has already 5 m of cable)
- 2 Intermediate anchor
- 1 slider

 Bestel producten op dag 1, worden uiterlijk op dag 2 verzonden.

 Bestel producten op dag 1, worden uiterlijk op dag 3 verzonden. Hiervoor gelden maximale hoeveelheden.

 Op aanvraag verkrijgbaar. Informeer naar de levertijden van deze artikelen.



Start kit contents:

- 1x tensioner
- 1x tension indicator
- 2x INRS shock absorber + MR9 connector
- 1x wedge clamp (cable clamp) + MR9 connector
- 1x End anchor (galva or stainless steel)
- 1x Installation manual in EN/FR/DE/NL/IT/ES
- 1x Type plate in EN/FR/DE/NL/IT/ES

Travflex 2

Universal plate



Universal mounting plate for Travflex 2 on light structures

The universal plate is designed to be installed on light structures for our Travflex 2 lifeline and ringflex anchor point.

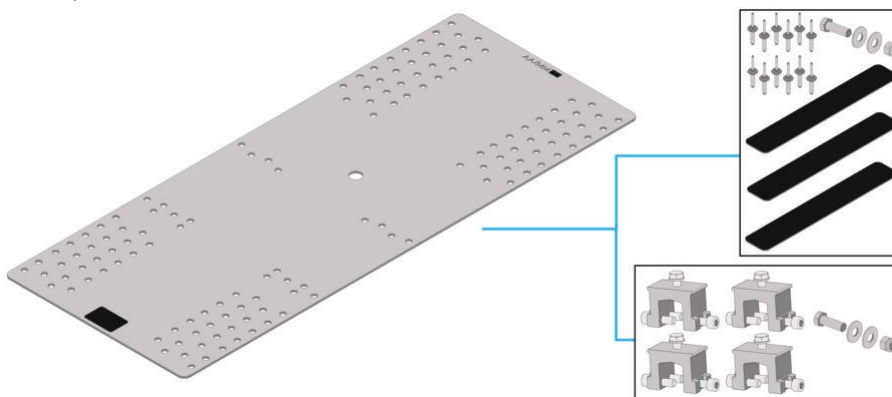
There are two versions available, depending on the intended use:

- Plate for extremity & intermediate bracket or anchor point.
- Plate for curved bracket.

The plate can be mounted on a wide range of roofs:

- Metal sheet roofing.
- Sandwich panel.
- Aluminium standing seam.

Depending on the application, the plate is supplied with a set of 4 clamps or a set of 12 rivets.



Model	Product Code	Price
Extremity & intermediate universal plate in stainless steel	206888	€167.00
Extremity & intermediate universal plate in galvanized steel	207788	€104.00
Curve universal plate in stainless steel	206878	€278.00
Kit 4 clamps + 1 bolt M16	7049	€580.00
Kit 12 rivets + rubber sealing bands + 1 bolt M16	232587	€62.00

* Extremity & intermediate universal plate is also suitable for the ring flex.

Levering

Iedere universal plate wordt geleverd met installatiehandleiding.

Elke bevestigingsset bevat 4 klemmen of 12 klinknagels en wordt geleverd met 1x schroef HM16, 2x M16 ringen, 1x M16 borgmoer.





EN795-C - CEN/TS16415

The Travsmart lifeline complies with the European norm EN795-C and the CEN/TS16415 for multi-user.

As an extension of Tractel High Capacity Range, the Travsmart lifeline is now certified for user weighing up to 150kg including all their equipment.

This lifeline is certified for a simultaneous use for a maximum of 5 users 100kg or 3 users 150kg.

Intermediate anchors must be positioned no more than 15 meters apart.

In single span configuration (without intermediate anchor), Tractel has certified the travsmart lifeline with a maximum distance between end anchors of **30m!**

Tractel has performed compatibility tests for all of its self-retracting fall arrester (EN360) and guided type fall arresters (EN353-2) rated 150kg on the Travsmart lifeline. All lanyards certified EN 355 can be used with the Travsmart lifeline.

Travsmart is the most polyvalent lifeline of Tractel' portfolio. The Travsmart lifeline is certified for the following installation: overhead, on a wall, on an inclined surface up to 15°, on the ground or on a post.

The Travsmart lifeline advantages:

MEETS THE USER'S NEEDS:

- Choices of installations and uses (ergonomics).
- Automatic anchor crossing thanks to the travsmart slider.
- The user can work on either side of the lifeline without the need to disconnect (improved safety).
- Wire rope available in galvanised steel or stainless steel.

MEETS THE INSTALLER'S NEEDS:

- No special tools are required for the installation of the lifeline.
- Thanks to the wedge socket, the risk of the cable clamp nuts coming loose over time is fully eliminated.
- Quick and easy installation of the lifeline thanks to the design of the intermediate anchor.
- In the event of a fall, there is no need to fully dismantle the lifeline. Simply loosen the cable to remove and reinstall the failed intermediate supports (installation time reduced).

For more information please contact Tractel.

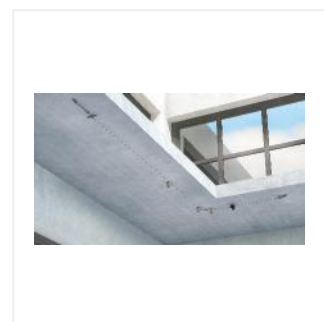
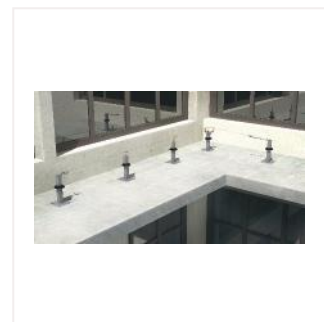


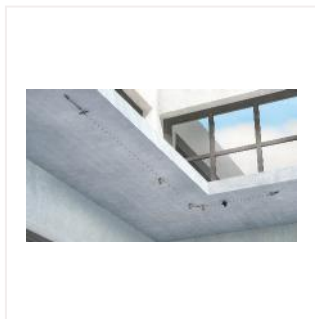
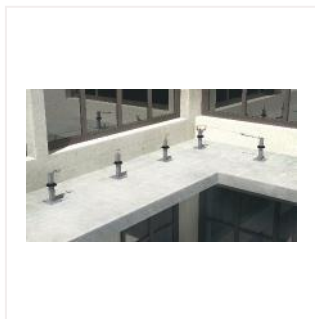
Tested to stop the fall of
3 users 150kg

OR



5 users, 100kg





Start kits and kits allow you to have the basic elements to build your lifeline. Then add the length of cable needed for your project, as well as two end anchors. If applicable, you should also incorporate compatible intermediate anchors and turn kits. Don't forget your Travsmart slider.

Model	Product Code	Price
Kit Travsmart galvanised 150kg	277157	€578.00
Start kit galvanised	57252	€63.00
Additional meter galvanised wire rope	238497	€6.00
Travsmart slider	251349	€480.00

Model	Product Code	Price
Kit Travsmart stainless steel 150kg	277167	€578.00
Start kit stainless steel	57262	€102.00
Additional meter of stainless steel wire rope	277137	€10.00
Travsmart slider	251349	€480.00


Model	Product Code	Price
Travsmart end anchor for ground, wall and overhead	193897	€65.00
End anchor for post	66698	€28.00
Travsmart standard in	193847	€89.00
Travsmart overhead intermediate anchor	193857	€102.00
Travsmart standard corner kit	193867	€218.00
Travsmart overhead corner kit	193877	€246.00
Travsmart corner plate for standard corner kit on post	193887	€67.00
Additional sign plate	277127	€24.00


Example:


I would like to install a travsmart lifeline with stainless steel cable for wall application, 45m.

I have to order :

- 1 kit travsmart stainless steel
- 1 start kit stainless steel
- 40 meters of stainless steel wire rope (start kit has already 5 m of wire rope)
- 2 travsmart end anchors for ground, wall and overhead
- 2 intermediate anchors
- 1 travsmart slider

 Order products on day 1, will be shipped no later than day 2

 Order products on day 1, will be shipped no later than day 3. Maximum quantities apply for this service.

 Available on request. Please enquire about delivery times of these items.



EN795-C - CEN/TS16415

The Travspring lifeline complies with European norms EN795-C and CEN/TS16415 for multi-user. It is certified for users weighing up to 150kg and allows simultaneous use for a maximum of 5 users at 100kg or 3 users at 150kg

When configured with one INRS absorber, intermediate anchors can be positioned from **1.8 to 28.5m**. In a configuration with 2 INRS absorbers, intermediates must be positioned no more than 15 meters apart.

In single span configuration (without intermediate anchor), Tractel has certified the Travspring lifeline with a maximum distance between end anchors of **30m!**

MEETS THE USER'S NEEDS:

- Proximity lifeline
- Choices of installations and uses (ergonomics).
- The user can work on either side of the lifeline without the need to disconnect (improved safety).
- Wire rope available in galvanised steel or stainless steel.

MEETS THE INSTALLER'S NEEDS:

- No special tools are required for the installation of the lifeline.
- Thanks to the wedge socket, the risk of the cable clamp nuts coming loose over time is fully eliminated.
- Quick and easy installation of the lifeline thanks to the design of the intermediate anchor.
- In the event of a fall, there is no need to fully dismantle the lifeline. Simply loosen the cable to remove and reinstall the failed intermediate supports (installation time reduced).

For more information please contact Tractel.

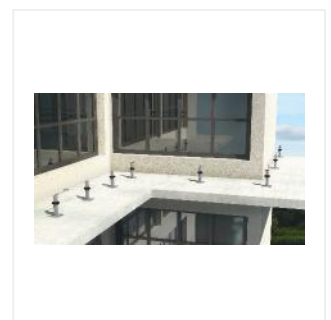
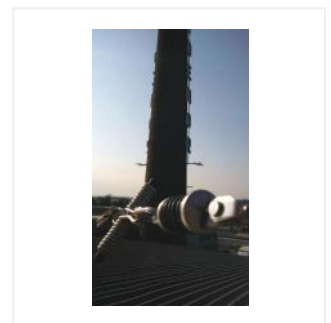


Tested to stop the fall of
3 users, 150kg,

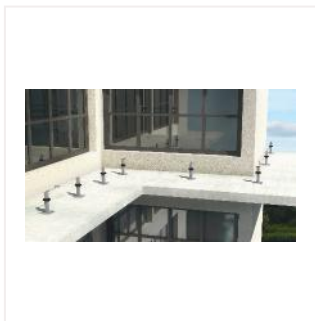
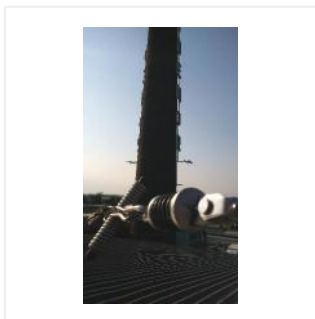
OR



5 users, 100kg



Travspring



Start kits and kits allow you to have the basic elements to build your lifeline.

Then add the length of cable needed for your project.

If applicable, you should also incorporate compatible intermediate and turn anchors.

Model	Product Code	Price
Kit Travspring stainless steel 150kg	276977	€513.00
Start kit stainless steel	57262	€102.00
Additional meter of stainless steel wire rope	277137	€10.00

Model	Product Code	Price
Kit Travspring galva 150kg	276967	€513.00
Start kit galvanised	57252	€63.00
Additional meter galvanised wire rope	238497	€6.00

Model	Product Code	Price
End anchor for ground and wall	66848	€59.00
End anchor for post	66698	€28.00
Travspring intermediate anchor	66868	€60.00
Travspring corner kit	66878	€256.00
Travspring corner plate	66998	€55.00
Additional sign plate	277127	€24.00

Example:

I would like to install a Travspring lifeline with galvanized cable for application on post, 122m, and a total of two INRS shock absorbers.

I have to order :

- 1 kit Travspring galva
- 1 start kit galva
- 117 meters of galva cable (start kit have already 5 m of cable)
- 2 End anchor for post
- 8 intermediate anchor
- 1 INRS absorber
- 1 Additional sign plate



Galvanized post

- Interface posts for the end or intermediate anchors, including curves for the travsmart, travspring™ or travspring™ one lifelines.
- 70x70 mm cross-section, made of galvanised steel.

Model	Product Code	Price
With pulley 500mm for Travspring	68478	€689.00
Counter plate for square base post 250mm and 500mm	130995	€129.00
Counter plate for square base post 750mm	133295	€115.00

Square base post 500mm high (code 66888)

Travspring one



EN795-C - CEN/TS16415

The new Travspring One lifeline is a derivative of the Travspring lifeline. It complies with the European norm EN792-C:2012 and the CEN/TS16415:2013 for multi-user.

It is designed as a simple and inexpensive lifeline for occasional use. The system requires a double lifeline to pass the intermediate supports and curves.

150kg High Capacity Range

As an extension of Tractel High Capacity Range, the Travspring One lifeline is now certified for user weighing up to 150kg including all their equipment. This lifeline is certified for a simultaneous use for a maximum of 5 users 100kg or 3 users 150kg. In order to comply with the 150 kg classification, the harness and connection (lifelines, automatic fall arrest devices or guided fall arresters with flexible anchor line) must all have a 150 kg classification.

Specifications

Intermediate anchors must be positioned no more than 15 meters apart. In single span configuration (without intermediate anchor), Tractel has certified the Travspring lifeline with a maximum distance between end anchors of 30 meter.

The Travspring lifeline is certified for the following installation: on a wall, on an inclined surface up to 15°, on the ground or on a post. In addition, in a single span configuration, travspring™ can be installed overhead.

The system is supplied with a visual tension indicator and an in-line energy absorber.

Tractel has performed compatibility tests for all of its self-retracting fall arrester (EN360) and guided type fall arresters (EN353-2) rated 150kg on the Travspring One lifeline. All lanyards certified EN 355 can be used with the Travspring One lifeline.

Benefits

- Thanks to the wedge socket, the risk of the cable clamp nuts coming loose over time is fully eliminated.
- No special tools are required for the installation of the lifeline.
- Few components to install.



Tested to stop the fall of
3 users, 150kg,

OR



5 users, 100kg



Travspring one



Contents starter kit:

- 1x INRS shock absorber + MR9 connector
- 1x wedge clamp (cable clamp) + MR9 connector
- 1x MR9 connector
- 1x Installation manual in EN/FR/DE/NL/IT/ES
- 1x Type plate in EN/FR/DE/NL/IT/ES

Start kits and kits allow you to have the basic elements to build your lifeline.

Then add the length of cable needed for your project.

If applicable, you should also incorporate compatible intermediate and turn anchors.

Model	Product Code	Price
Kit Travspring One galva 150kg	277177	€456.00
Start kit galvanised	57252	€63.00
Additional meter galvanised wire rope	238497	€6.00

Model	Product Code	Price
Travspring end anchor ground and wall	66848	€59.00
Travspring One end anchor for post	87368	€27.00
Travspring One intermediate anchor for post	113297	€14.00
Travspring One intermediate anchor for wall	113247	€16.00
Travspring corner kit	66878	€256.00
Travspring corner plate	66998	€55.00
Additional sign plate	277127	€24.00

Example:

I would like to install a Travspring lifeline with galvanized cable, 122m.

I have to order :

- 1 kit Travspring One galva
- 1 start kit galva
- 117 meters of galva cable (start kit have already 5 m of cable)
- 2 End anchors
- 8 intermediate anchors



Galvanised post

- Interface posts for the end or intermediate anchors, including curves for the travsmart, travspring™ or travspring™ one lifelines.
- 70x70 mm cross-section, made of galvanised steel.

Model	Product Code	Price
With pulley 500mm for Travspring	68478	€689.00
Counter plate for square base post 250mm and 500mm	130995	€129.00
Counter plate for square base post 750mm	133295	€115.00

Square base post 500mm high (code 66888)



Order products on day 1, will be shipped no later than day 2



Order products on day 1, will be shipped no later than day 3. Maximum quantities apply for this service.



Available on request. Please enquire about delivery times of these items.

Interface posts for lifeline

Galvanised posts



Square base



Square base plate 20° inclined



Rectangular base



Base plate for roof ridges

Height: 250mm

Model	Product Code	Price
Post with an inclined base plate for roof ridges 270 x 270 mm, 20° incline.	72278	€142.00
Post with a rectangular base plate for roof ridges 352 x 160 mm.	71968	€96.00
Post with a base plate for roof ridges 350 x 370 mm.	71988	€157.00

Height: 500mm

Model	Product Code	Price
Post with a square base plate for roof ridges 270 x 270 mm, 20° incline.	72288	€138.00
Post with a rectangular base plate for roof ridges 352 x 160 mm.	71978	€107.00
Post with a base plate for roof ridges 350 x 370 mm.	71998	€205.00

Height: 750mm

Model	Product Code	Price
Post with a square base plate for roof ridges 270 x 270 mm.	72298	€179.00
Post with a rectangular base plate for roof ridges 352 x 160 mm.	72308	€185.00

For the calculation of these posts, please contact our Customer Service.



Order products on day 1, will be shipped no later than day 2



Order products on day 1, will be shipped no later than day 3. Maximum quantities apply for this service.



Available on request. Please enquire about delivery times of these items.

Interface posts for lifeline

Insulated anchor posts

Insulated anchor posts with a stainless steel anchor ring. 70x70 mm cross-section, made of galvanised steel, with thermal protection. They are designed to eliminate the risk of condensation in winter when the outside temperature drops below 0° C. They also help to keep your roof insulation to its optimal efficiency and reduce heat energy waste.



Square base



Square base plate 20° inclined



Rectangular base



Base plate for roof ridges

Height: 250mm

Model	Product Code	Price
Post with a square base plate for roof ridges 270 x 270 mm.	186648	€277.00
Post with a square base plate for roof ridges 270 x 270 mm, 20° incline.	186658	€301.00
Post with a rectangular base plate for roof ridges 352 x 160 mm.	186668	€270.00
Post with a base plate for roof ridges 350 x 370 mm.	186678	€320.00

Height: 500mm

Model	Product Code	Price
Post with a square base plate for roof ridges 270 x 270 mm.	186688	€286.00
Post with a square base plate for roof ridges 270 x 270 mm, 20° incline.	186698	€358.00
Post with a rectangular base plate for roof ridges 352 x 160 mm.	186708	€301.00
Post with a base plate for roof ridges 350 x 370 mm.	186718	€368.00

Height: 750mm

Model	Product Code	Price
Post with a square base plate for roof ridges 270 x 270 mm.	186728	€492.00
Post with a rectangular base plate for roof ridges 352 x 160 mm.	186738	€414.00

Accessories

Model	Product Code	Price
Counter plate for square base post 750mm	133295	€115.00
Counter plate for square base post 250mm and 500mm	130995	€129.00

For the calculation of these posts, please contact our Customer Service.

Interface posts for lifeline

Stainless steel anchor posts



Square base



Rectangular base



Base plate for roof ridges

Height: 250mm

Model	Product Code	Price
Post with a square base plate 270 x 270 mm.	186808	€534.00
Post with a rectangular base plate 352 x 160 mm.	186818	€527.00
Post with a base plate for roof ridges 350 x 370 mm.	186828	€326.00

Height: 500mm

Model	Product Code	Price
Post with a square base plate 270 x 270 mm.	186838	€563.00
Post with a rectangular base plate 352 x 160 mm.	186848	€489.00
Post with a base plate for roof ridges 350 x 370 mm.	186858	€589.00

For the calculation of these posts, please contact our Customer Service.



Order products on day 1, will be shipped no later than day 2



Order products on day 1, will be shipped no later than day 3. Maximum quantities apply for this service.



Available on request. Please enquire about delivery times of these items.

Interface posts for lifeline

Hot roof post - For Travsmart and Travspring



Hot roof post - anchor post for warm roofs

Model	Product Code
End and corner post	218278
Intermediate post	218288
Intermediate post, PVC base	218298
End and corner post, PVC base	218308

Configure the number of posts according to site configuration. When top membrane is in PVC, the post with a PVC is required.

Bolting

Model	Product Code
Set of 4 x M10 concrete dowels	288447
M12 concrete dowel	288457
Set of 4 x M10 toggle bolts	288467
M12 Toggle bolt	288477

A kit of 4 bolts is required for each extremity or corner post. A kit of 1 bolt is required for each intermediate post.

Sealing rosette

Model	Product Code
Bitumen sealing rosette for intermediate post	288487
Bitumen sealing rosette for end and corner post	288497
PVC sealing rosette for intermediate post	288507
PVC sealing rosette for end and corner post	288517
EPDM sealing rosette for intermediate post	288527
EPDM sealing rosette for end and corner post	288537

Type of membrane depends on waterproofed top layer of the roof

Tools

Model	Product Code
Toggle bolt tool M12	288547
M10 socket wrench extension	288557
M12 socket wrench extension	288567
Hole saw Ø30mm	288577
Hole saw Ø44mm	288587
Quick-hitch arbor for hole saw Ø30mm	288597
Quick-hitch arbor for hole saw Ø44mm	288607

Travrail

EN 795-D

Travrail is a horizontal rigid anchor rail. It is designed to protect workers in the event of a fall, during tasks such as cleaning or maintenance work, checking an installation or safely entering a structure. It allows the slider to move freely over the intermediate anchors, enabling the user to move easily from one side of the rail to the other.

The rail makes it possible to secure 3 people (each weighing up to 100 kg including equipment and tools) at the same time (one person per slider).

The rail can also be used as an anchor point for Rope Access work (wall and floor applications only). In this case, each user must always be equipped with 2 sliders:

- 1 for the work rope
- 1 for the safety rope

The maximum distance between brackets of the aluminium rail is 6m (3m for rope access applications). 90° bends available for wall mounting and floor/ceiling mounting. The rail can be mounted on the floor, on the wall or overhead.

Travrail features:

- Detachable end stop for inserting or retrieving sliders
- Complies with EN 795-D
- Complies with CEN/TS 16415 for 3 simultaneous users
- To be used with EN 360 retractable fall arresters
- To be used with EN 353-2 guided type fall arresters with flexible anchor line
- To be used with EN 355 energy absorbers and decelerators
- To be used with EN 361 full body harnesses

Model	Product Code	Price
Rail aluminium 3000 mm	232665	€213.00
External corner rail aluminium	232685	€222.00
Internal corner rail aluminium	232695	€222.00
Overhead corner rail aluminium	232705	€247.00
Connection rail aluminium	232715	€48.00
Fix end stop	232745	€48.00
Removable end stop	232655	€94.00
Bracket	232725	€60.00
Expansion bracket	232785	€59.00
Standard slider	232675	€610.00
Slider for rope access overhead	242485	€872.00
Slider for rope access wall	232795	€1,042.00
Sign plate	233245	€20.00
Drilling kit	232765	€282.00
Rail trimming and finishing (factory)	223326	€124.00

Example:

For 8 m of rail I order 3 rails of 3 m (3 x 232665) + shortening and finishing rail (223326).
2 rails of 3 m and 1 rail of 2 m are delivered.

*** Are not fall protection sliders, should never be used to connect fall protection.**



Standard slider



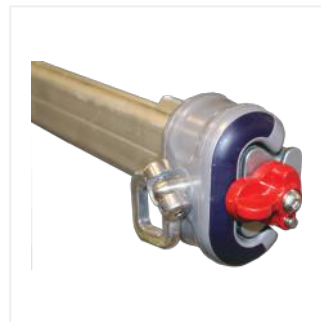
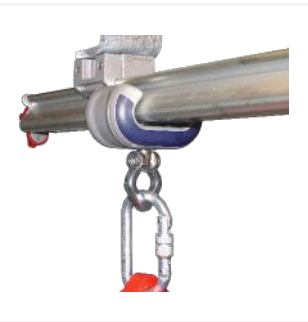
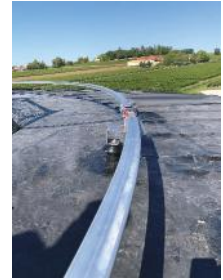
Slider rope-access (ceiling)*



Slider rope-access (wall)*



Getest om de val van
3 gebruikers, 100kg, te stoppen



Stopcable S 150 kg

Verticale levenslijn

NEW



EN353-1 - EN 353-2 - PPE-R/11.062

The use of a ladder to gain access to a high level workstation can pose an element of risk. The purpose of the Stopcable S 150 kg system is to ensure the safety of personnel throughout their ascent.

The Stopcable S 150 kg vertical lifeline is a mobile anchoring device to enable a person to move on a vertical axis in perfect safety and without having to disconnect themselves. It consists of a fixed point and individual mobile equipment.

Norms :

- EN353-1
- EN 353-2
- PPE-R/11.062

Model	Product Code	Price
Stopcable S 150 kg (fall arrester)	87042	POA

Model	Product Code	Price
Extremity KIT Stopcable 353-1 GALVA	288967	POA
Extremity KIT Stopcable 353-2 GALVA	288997	POA
Extremity KIT Stopcable 353-1 SS	289057	POA
Extremity KIT Stopcable 353-2 SS	289257	POA
Startkit cable Galva Stopcable	288947	POA
1m of cable galva	281767	€9.00
Startkit cable stainless steel Stopcable	288977	POA
1m of cable stainless steel	281757	€20.00
Galvanised anchor	17872	€58.00
Stainless steel anchor	32902	€143.00
Kit of anchor for side bar	87378	€141.00
Stopcable SS JUMPER - U Bolt - Diameter 27 mm	18132	€8.00
Stopcable SS JUMPER - U Bolt - Diameter 34 mm	18142	€12.00
Tensioning device	261809	€149.00
Cable guide	108857	€49.00
Energy shock-absorber	90049	€179.00
Counterweight	129445	€189.00
Plate Stopcable - FR/EN/DE/IT/ES/NL	289007	POA
Plate Stopcable - EN/SE/PT/FI/NO/PL	289247	POA

For a specific configuration of a complete system, please contact our Customer Service.

Permanent safety ladders

FABA system

EN353-1

The FABA range is a fall arrest system on a rail for vertical movements. The vertical rails are separately available for mounting on an existing ladder or can be supplied with an integrated ladder. The FABA systems include accessories such as rest platforms or access blocking systems. They are built to be adapted to all types of supports. These products can be supplied in galvanized steel, stainless steel or aluminium.

FABA ladders are complete systems in which all components are aligned with each other. The rigid rail allows the user to better control the movement of the slider. Unlike cable systems, several people can climb up the ladder one after the other (with sufficient spacing). Ideal for use over long distances.

The products of the FABA range have been tested to meet the requirements of the European EN 353-1 standard. Areas of application: along towers, chimneys, tanks, bridge piers, masts, antenna supports, access to mines, pits, sludge lagoons, cat walks, dams, tank lorries, cranes, roof terraces, waste water systems, etc.

For more information please contact Tractel.



See our harnesses, especially dedicated and patented for being used with FABA ladders :



HT120



HT Easyclimb



FABA

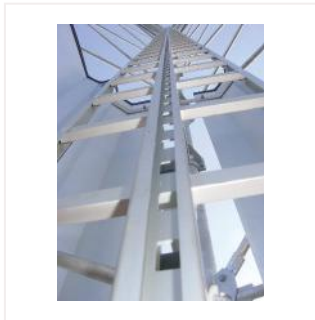
Fall arresters on rail - (353-1 / 14122:4)

Since 1965, Tractel is offering vertical and horizontal access solutions (FABA systems) based on modular, robust designs.

FABA offers complete solutions and safety rails for safe access to your workplaces at height. A complete range of standard components guarantees a fall protection system according to EN 353-1. FABA fall arrest systems allow safe climbing on

fixed vertical ladders at any height and on horizontal access routes.

Area of application: Towers, fireplaces, pillars, lighting or antenna masts, pylons, chimneys.



FABA System AL2

The FABA AL2 System has been on the market since 2000. It is based on the principle of the FABA A12 System and is suitable for material in anodised aluminum. The design of the safety rail and sliders is asymmetrical and guarantees sliders are always used in the right direction.

- Dimensions rail profile (H-shaped): 48 x 65 x 3-6mm
- Material: Anodised aluminum
- Design: Ladder with a central upright or with additional side uprights or just rail
- Spacing in between stops: 70 mm
- Spacing in between rungs: 280 mm
- Rungs: Straight, inserted and set on the back of the rail
- Ladder width: 414 mm
- Primary lengths: 5600 and 2800 mm
- Adjustment lengths: 560, 840, 1120, 1400, 1680, 1960, 2240, 2520, 3080, 3360, 3640, 3920, 4200, 4480, 4760, 5040 and 5320 mm
- Maximum distance between fixings: 1680 mm for the ladder with central upright, 2520 mm suitable for ladder with side uprights or the rail.

For more information please contact Tractel® .



FABA System A12

The FABA A12 System has been on the market since 1995. It is a logical evolution of the FABA A11 System but a lighter and smaller version. The design of the safety rail and carriages is asymmetrical and guarantees that the carriages are always used in the right direction.

- Dimensions rail profile: 48 x 32 x 3 mm
- Material: Hot-dipped galvanised steel or stainless steel (1.4571)
- Design: Ladder with central upright or just rail
- Spacing in between stops: 40 mm
- Spacing in between rungs: 280 mm
- Rungs: Straight and welded on the back of the rail
- Width of the ladder: 380 mm
- Primary lengths: 5600 and 2800 mm
- Adjustment lengths: 560, 840, 1120, 1400, 1680, 1960, 2240, 2520, 3080, 3360, 3640, 3920, 4200, 4480, 4760, 5040 and 5320 mm
- Maximum distance between fixings: 1400 mm for the ladder and 1960 mm for the rail.

FABA A12 & AL2

Sliders



The slider is mobile component of the FABA system and is attached to the user with a carabiner. All FABA sliders are certified to the latest applicable standard (EN353-1) and comply with the European Regulation 2016/425 (PPE Regulation) with a maximum user weight of 150kg.

The following sliders are compatible with the FABA system A12 and AL2:

- AL-D
- Grip
- EZ

Each slider is designed for different uses according to the user needs and the following table is aimed at guiding the user's choice.

The safety rail of FABA is C-shaped rail and the sliders are gliding inside the rail. This offers the advantage of compacity of the system and increase the comfort of use as the rail and slider take less place in front of the user.

	AL-D	Grip	EZ
Frequency of use			
Occasional	V	-	V
Daily	-	V	V
Application			
Industrial use	V	-	-
Rescuer	-	-	V
Extensive climbing height	-	V	-
Confined access	V	-	V
Features			
Insertable and retrievable and at any location	-	-	V
Anti-reversibility	V	V	V
Compatibility			
A12	V	V	V
AL2	V	V	V
Connector			
Manual locking (M10)	V	-	V
Automatic tri-lock (M23)	V	V	V



AL-D



Grip



EZ

FABA

Sliders



FABA EZ 150kg

FABA EZ, simply said "easy"

- The biggest advantage and differentiator of this slider is its possibility to be inserted and retrieved at any place of a rail or a ladder,
- Thanks to its unique design, you insert or retrieve it with only one hand,
- Developed and compatible with FABA A12 & AL2,
- Introduction is only possible in the correct direction thanks to asymmetric profile,
- Robust and self mechanical locking system,
- Inside sliding,
- Good gliding,
- Available with manual (M10) or trilock connector (M23),
- User up to 150kg

Model	Product Code	Price
FABA™ EZ 150kg M23	7029	€288.00
FABA™ EZ 150kg M10	513888	€975.00



FABA AL-D 150kg

The slider FABA AL-D 150kg is conform to the latest applicable standard EN 353-1 and to the European Regulation 2016/425 and is certified for a user weighing up to 150kg.

The slider is certified and compatible with the rail and ladder of FABA A12 galvanized steel or stainless steel and the rail and ladder of FABA AL2 and its related products, the FABA AL2 Mobil and the FABA AL2 Mobil-F.

This rigid vertical fall arrester is tested to stop the fall of one operator, with its tools and equipment, weighing up to 150 kg. It enables several operators to work in safety (each operator having his own FABA AL-D slider) if there are no more than two operators within 10m and at least 3m between them.

In order to provide protection for the user up to the maximum allowed weight, all the products of the system must be HIGH CAPACITY RANGE 150 KG (**Please note:** The component with the lowest capacity always determines the maximum capacity of the entire fall arrest system.).

Model	Product Code	Price
FABA AL-D - M10	514008	€639.00
FABA AL-D - M23	<input checked="" type="checkbox"/> N 514018	€639.00



Order products on day 1, will be shipped no later than day 2.

Order products on day 1, will be shipped no later than day 6. Maximum quantities apply for this service.

Available on request. Please enquire about delivery times of these items.

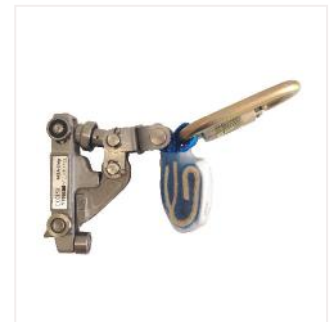
FABA Grip 150kg

The slider FABA Grip 150kg is conform to the latest applicable standard EN 353-1 and to the European Regulation 2016/425 and is certified for a user weighing up to 150kg.

The slider is certified and compatible with the rail and ladder of FABA A12 galvanized steel or stainless steel and the rail and ladder of FABA AL2 and its related products, the FABA AL2 Mobil and the FABA AL2 Mobil-F.

This rigid vertical fall arrester is tested to stop the fall of one operator, with its tools and equipment, weighing up to 150 kg. It enables several operators to work in safety (each operator having his own FABA Grip slider) if there are no more than two operators within 10m and at least 3m between them.

In order to provide protection for the user up to the maximum allowed weight, all the products of the system must be HIGH CAPACITY RANGE 150 KG (PLEASE NOTE: The component with the lowest capacity always determines the maximum capacity of the entire fall arrest system.).



Model	Product Code	Price
FABA™ Grip	514408	€809.00

Harness HT120

EN361



Harness designed for movement (up or down) on structures equipped with an EN 353.1 rail or cable fall arrester device equipped with an approved fall arrest umbilical anti-fallback system attachment point.

The HT120 harness is equipped with an approved fall arrest umbilical attachment point. This attachment point, while being fall arrest approved, provides comfortable support going up or down. HT 120 is the only harness on the market that offers this type of attachment point.

The HT120 harness is particularly adapted for climbing on ladders equipped with a rail-mounted FABA type fall arrester, whether or not including a tractelift climbing aid system.

It's patented design prevents the user from falling backwards in the event of a fall, eliminating the risk of serious back injuries

- 1 dorsal attachment point.
- 2 thoracic attachment points.
- 1 umbilical attachment point.



	S	M	XL	Price
HT120 - Standard Buckles	61702	61712	61722	€185.00

Order products on day 1, will be shipped no later than day 2,

Order products on day 1, will be shipped no later than day 6. Maximum quantities apply for this service.

Available on request. Please enquire about delivery times of these items.

FABA A12 ladder with fall arrest rail

(353-1 / 14122-4)

Hot-dip galvanised steel version

Model	Length (cm)	Weight (kg)	Product Code	Price
560 mm	560 mm	2,5	501237	€81.00
840 mm	840 mm	4,05	501257	€101.00
1120 mm	1120 mm	5,4	501297	€133.00
1400 mm	1400 mm	6,7	501317	€152.00
1680 mm	1680 mm	8	501337	€172.00
1960 mm	1960 mm	8,5	501367	€195.00
2240 mm	2240 mm	10,8	501387	€218.00
2520 mm	2520 mm	12,15	501407	€241.00
2800 mm	2800 mm	13,5	501427	€222.00
3080 mm	3080 mm	14,8	501447	€363.00
3360 mm	3360 mm	16,2	501467	€390.00
3640 mm	3640 mm	17,55	501487	€410.00
3920 mm	3920 mm	18,9	501507	€426.00
4200 mm	4200 mm	20,25	501527	€463.00
4480 mm	4480 mm	21,6	501547	€499.00
4760 mm	4760 mm	22,9	501567	€489.00
5040 mm	5040 mm	24,3	501587	€528.00
5320 mm	5320 mm	26,1	501607	€569.00
5600 mm	5600 mm	27	501627	€526.00

Stainless steel version

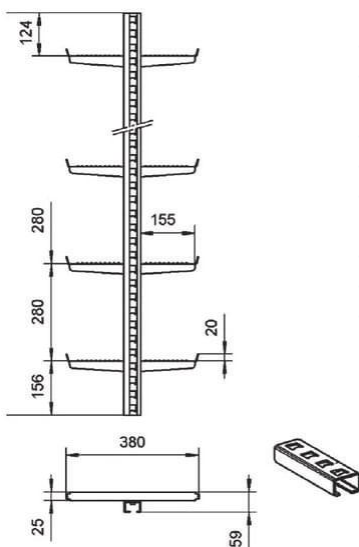
Model	Length (cm)	Weight (kg)	Product Code	Price
560 mm	560 mm	2,7	501247	€153.00
840 mm	840 mm	4	501267	€223.00
1120 mm	1120 mm	5,4	501307	€265.00
1400 mm	1400 mm	6,75	501327	€327.00
1680 mm	1680 mm	8	501357	€390.00
1960 mm	1960 mm	8,5	501377	€453.00
2240 mm	2240 mm	10,8	501397	€515.00
2520 mm	2520 mm	12,1	501417	€578.00
2800 mm	2800 mm	13,5	501437	€641.00
3080 mm	3080 mm	14,8	501457	€858.00
3360 mm	3360 mm	16,2	501477	€943.00
3640 mm	3640 mm	17,5	501497	€983.00
3920 mm	3920 mm	18,9	501517	€1,046.00
4200 mm	4200 mm	20,2	501537	€1,109.00
4480 mm	4480 mm	21,7	501557	€1,172.00
4760 mm	4760 mm	24	501577	€1,235.00
5040 mm	5040 mm	24,3	501597	€1,297.00
5320 mm	5320 mm	24	501617	€1,360.00
5600 mm	5600 mm	27	501637	€1,423.00

Ladder with release facility

Model	Length (cm)	Weight (kg)	Product Code	Price
Hot-dip galvanised	1680 mm	8.1	501288	€231.00

Ladder with release facility

Model	Length (cm)	Weight (kg)	Product Code	Price
Stainless steel	1680 mm	8.1	501298	€409.00



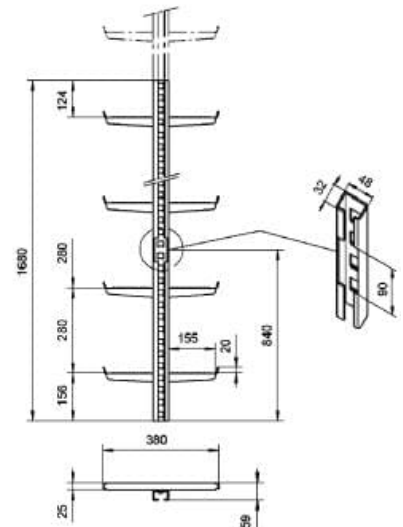
FABA A12 ladder with fall arrest rail.

- Available in various lengths from 560 to 5,600 mm.
- Recommended length up to **2,800mm** for transport optimisation and ease of installation.
- Distance between rungs 280 mm.
- Catching cut-outs in fall arrest rail every 40 mm.
- Rungs with anti-slip surface and 20 mm high lateral safety catch.
- Rungs 155 mm wide on each side.
- Material: Hot-dip galvanised steel or stainless steel
- Standard: EN 353-1, BGV D36, DIN 18799-2

Ladder with release facility

The ladder with release facility enables the comfortable insertion and retrieval of the FABA™ slider at the lower end of the ladder.

The installation of a detachable catch above the release is mandatory to prevent any involuntary retrieval of the slider.



FABA A12 fall arrest rail

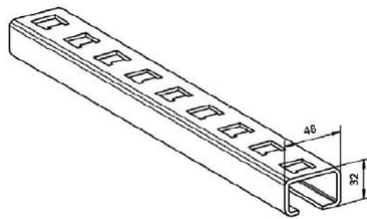
(353-1 / 14122-4)

A12 fall arrest rail - hot-dip galvanised steel.

Model	Length (cm)	Product Code	Price
560 mm	560 mm	502845	€29.50
840 mm	840 mm	500038	€49.00
1120 mm	1120 mm	502855	€50.50
1400 mm	1400 mm	502865	€66.00
1680 mm	1680 mm	502875	€72.50
1960 mm	1960 mm	500048	€88.00
2240 mm	2240 mm	502885	€92.50
2520 mm	2520 mm	500058	€115.00
2800 mm	2800 mm	502895	€117.00
3080 mm	3080 mm	500068	€166.00
3360 mm	3360 mm	500078	€172.00
3640 mm	3640 mm	500088	POA
3920 mm	3920 mm	500098	€192.00
4200 mm	4200 mm	500108	€222.00
4480 mm	4480 mm	500118	€213.00
4760 mm	4760 mm	500128	€224.00
5040 mm	5040 mm	500138	€297.00
5320 mm	5320 mm	500148	€307.00
5600 mm	5600 mm	500158	€262.00


A12 fall arrest rail - Stainless steel


Model	Length (cm)	Product Code	Price
560 mm	560 mm	502905	€101.00
840 mm	840 mm	502915	€133.00
1120 mm	1120 mm	502925	€164.00
1400 mm	1400 mm	502935	€195.00
1680 mm	1680 mm	502945	€227.00
1960 mm	1960 mm	502955	€258.00
2240 mm	2240 mm	502965	€289.00
2520 mm	2520 mm	502975	€321.00
2800 mm	2800 mm	502985	€352.00
3080 mm	3080 mm	502995	€467.00
3360 mm	3360 mm	503005	€498.00
3640 mm	3640 mm	503015	€530.00
3920 mm	3920 mm	503025	€561.00
4200 mm	4200 mm	503035	€592.00
4480 mm	4480 mm	503045	€624.00
4760 mm	4760 mm	503055	€667.00
5040 mm	5040 mm	503065	€705.00
5320 mm	5320 mm	500168	€742.00
5600 mm	5600 mm	503075	€749.00




FABA A12 fall arrest rail.

- Available in various lengths from 560 to 5,600 mm. Recommended length up to 2,800mm for transport optimisation.
- Catching cut-outs in fall arrest rail every 40 mm.
- Material: Hot-dip galvanised steel or stainless steel
- Standard: EN 353-1, BGV D36, DIN 18799-2.

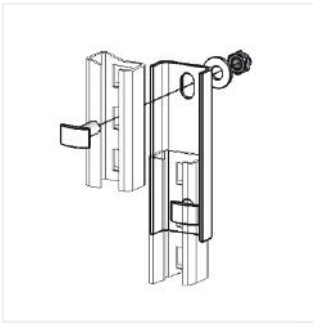
 Order products on day 1, will be shipped no later than day 2.

 Order products on day 1, will be shipped no later than day 6. Maximum quantities apply for this service.

 Available on request. Please enquire about delivery times of these items.

FABA A12

Components



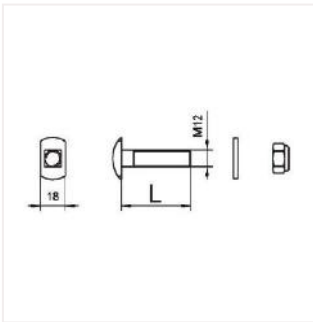
Joint connector

Joint connector between FABA™ A12 ladders or rails.

Materials: Galvanised steel or stainless steel.

Includes set of 2 FABA™ A12 screws.

Model	Product Code	Price
Galvanised	508117	€15.50
Stainless steel	508137	€27.00



Mounting screws

FABA T-bolt kit made specifically for fixing the FABA™ A12 rail to the different brackets.

- Each kit includes 1 screw with nut and washer.
- Lengths of M12 x 35 mm, x 50 mm and x 65 mm.
- Materials: Stainless steel.

Model	Product Code	Price
M12 x 35 mm	508107	€5.50
M12 x 50 mm	516137	€11.00
M12 x 65 mm	516147	€12.00



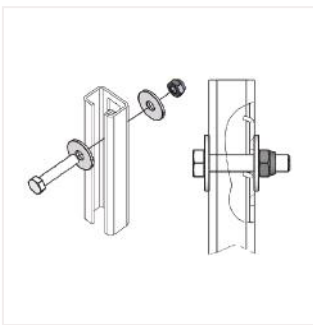
Catch


Catches must be installed on all the entry and exit points of the rails in order to prevent unwanted exiting of a FABA™ slider.


2 types of catch exit:


- Detachable catches must be installed in those locations where the carriage is to be removed.
The catch must be manually unlocked and then automatically closes (spring)
- Permanent catches must be installed in those locations where the carriage is not to be removed.

Model	Product Code	Price
Detachable catch	517185	€92.00
Permanent catch	508067	€7.00



 Order products on day 1, will be shipped no later than day 2.

 Order products on day 1, will be shipped no later than day 6. Maximum quantities apply for this service.

 Available on request. Please enquire about delivery times of these items.

FABA A12

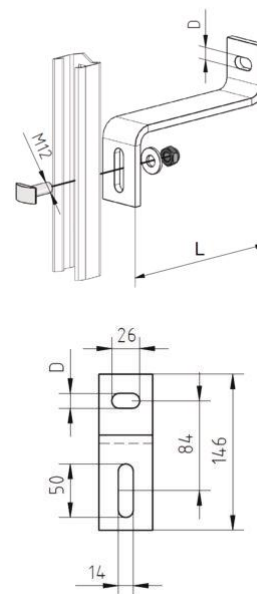
Brackets for ladder and rail

Z bracket

Z bracket for fixing the FABA™ ladder to a sturdy structure.

- Available with holes for wall fixing: $\varnothing = 10.5$ mm and $\varnothing = 14$ mm.
- Supplied with 1x M12 x 35mm screw kit.
- Fixing anchors not included.
- Materials: Galvanised steel or stainless steel.

Model	Length (mm)	Material	Product Code	Price
Z bracket $\varnothing 10.5$ mm	161 mm	Galvanised steel	508087	€24.50
Z bracket $\varnothing 10.5$ mm	200 mm	Galvanised steel	527947	€34.00
Z bracket $\varnothing 10.5$ mm	250 mm	Galvanised steel	520525	POA
Z bracket $\varnothing 14$ mm	161 mm	Galvanised steel	503418	€23.00
Z bracket $\varnothing 14$ mm	200 mm	Galvanised steel	527957	€33.50
Z bracket $\varnothing 14$ mm	250 mm	Galvanised steel	527095	€42.50
Z bracket $\varnothing 10.5$ mm	161 mm	Stainless steel 316	503428	€48.50
Z bracket $\varnothing 14$ mm	161 mm	Stainless steel 316	503438	€64.00



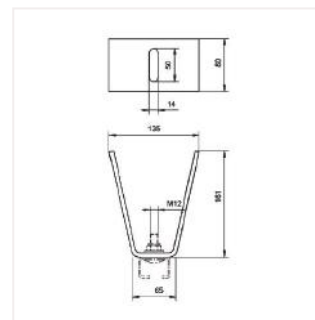
U bracket for welding

For welding on steel structure by certified welder. Protected against corrosion after welding.

Lengths between 161 and 300mm must be specified at the order

Mounting screws must be ordered separately.

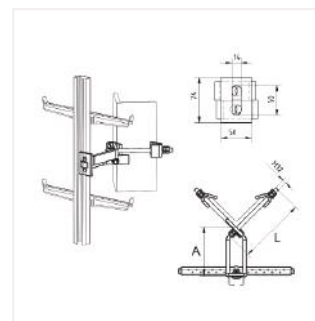
Model	Length (mm)	Product Code	Price
Steel, untreated	160	505455	€18.00
Steel with welding primer	160	503318	€55.00
Stainless steel, untreated	160	503308	€112.00
Hot-dip galvanised steel	160	523767	€33.00



Bracket for corner profile

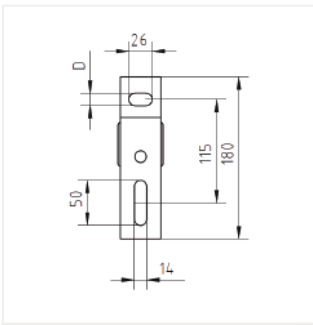
- Fastening of the FABA™ ladder to a corner profile (e.g. a steel lattice mast).
- Select the corresponding bracket according to the dimension of the corner profile.
- For corner profiles between 60 x 60mm up to 250 x 250 mm
- Supplied with 1x screw kit M12 x 35mm.

Corner profile length L (cm)	A=70 mm		A=130 mm		A=160 mm	
	Code	Price	Code	Price	Code	Price
60 - 130 mm	529067	POA	503648	POA	513388	POA
130 - 200 mm	529077	POA	503658	POA	513398	POA
200 - 250 mm	529087	POA	503668	POA	513408	POA



FABA A12

Square tube bracket

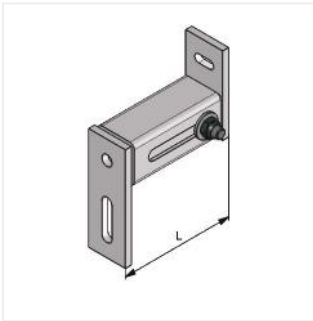


Square tube bracket

The square tube bracket is designed for installation of the FABA™ ladder to a masonry structure.

- Available with holes for wall fixing: $\varnothing = 10.5$ mm and $\varnothing = 14$ mm.
- Supplied with 1x screw kit M12 x 35mm.
- Fixing anchors not included.
- Materials: Galvanised steel or stainless steel.

Model	\varnothing fixing hole	Length	Material	Product Code	Price
Square tube bracket	$\varnothing 10,5$ mm	161 mm	Galvanised steel	503558	€115.00
Square tube bracket	$\varnothing 14$ mm	161 mm	Galvanised steel	503538	€140.00
Square tube bracket	$\varnothing 10,5$ mm	161 mm	Stainless steel 316	503568	€323.00
Square tube bracket	$\varnothing 14$ mm	161 mm	Stainless steel 316	503548	€281.00
Square tube bracket	$\varnothing 10,5$ mm	200 mm	Galvanised steel	527967	€162.00
Square tube bracket	$\varnothing 14$ mm	200 mm	Galvanised steel	527977	€162.00





Adjustable square tube brackets


This adjustable bracket should be used when the distance between the ladder/rail and structure is not constant.

- Available with holes for wall fixing: $\varnothing = 10.5$ mm
- Supplied with 1x screw kit M12 x 35mm.
- Fixing anchors not included.
- Materials: Galvanised steel or stainless steel.

Model	Length	Material	Product Code	Price
Ajustable square bracket	140 - 210 mm	Hot-Dip Galvanised Steel	272817	€110.00
Ajustable square bracket	140 - 210 mm	Stainless steel 316	272827	€449.00

 Order products on day 1, will be shipped no later than day 2,

 Order products on day 1, will be shipped no later than day 6. Maximum quantities apply for this service.

 Available on request. Please enquire about delivery times of these items.

FABA A12

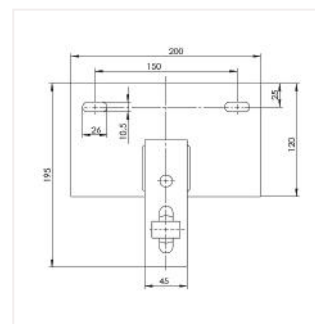
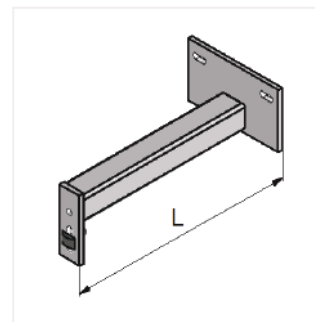
Bracket for low resistance structure

Bracket for low resistance structure

This bracket is designed for installation of the FABA™ ladder against brickwall. The design ensure a repartition of the forces transmitted to the supporting structure.

- Available with holes for wall fixing: $\varnothing = 10.5$ mm.
- Supplied with 1x screw kit M12 x 35mm.
- Fixing anchors not included.
- Materials: Galvanised steel or stainless steel.

Model	Length	Material	Product Code	Price
Bracket low resistance structure	161 mm	Hot-Dip Galvanised Steel	272797	€112.50
Bracket low resistance structure	161 mm	Stainless steel 316	272807	€374.00
Bracket low resistance structure	500 mm	Hot-Dip Galvanised Steel	525567	€73.00

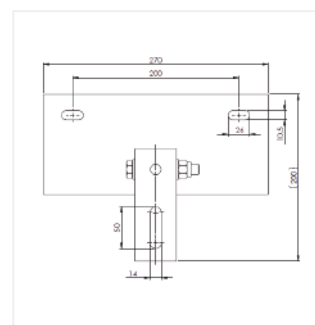
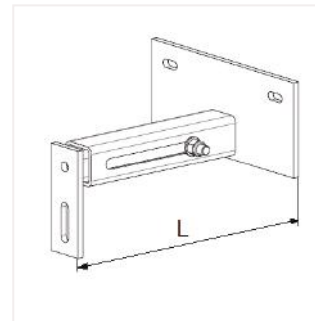


Adjustable bracket for low resistance structure

This adjustable bracket is designed for installation of the FABA™ ladder against brickwall. The design ensure a repartition of the forces transmitted to the supporting structure. This adjustable bracket should be used when the distance between the ladder/rail and structure is not constant.

- Available with holes for wall fixing: $\varnothing = 10.5$ mm.
- Supplied with 1x screw kit M12 x 35mm.
- Fixing anchors not included.
- Materials: Galvanised steel or stainless steel.

Model	Length	Material	Product Code	Price
Adjustable bracket low resistance structure	140 - 210 mm	Hot-Dip Galvanised Steel	272847	€202.00
Adjustable bracket low resistance structure	260 - 390 mm	Hot-Dip Galvanised Steel	272867	€144.00



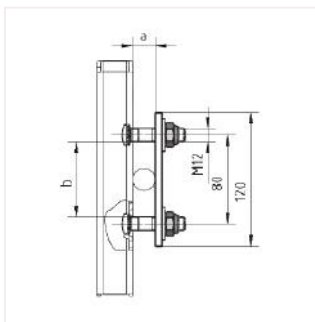
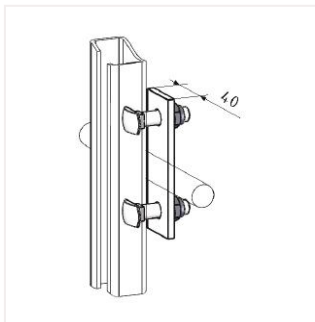
Order products on day 1, will be shipped no later than day 2,

Order products on day 1, will be shipped no later than day 6. Maximum quantities apply for this service.

Available on request. Please enquire about delivery times of these items.

FABA A12

Brackets for rail only for installation on rungs of existing ladders



Central bracket on round or rectangular rungs

Bracket for installation of the FABA™ A12 rail on the centre of existing round, rectangular or square rungs.

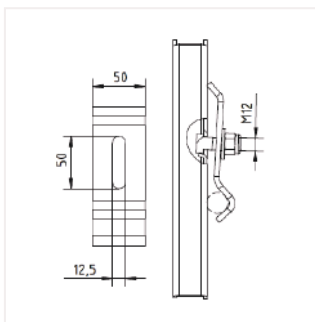
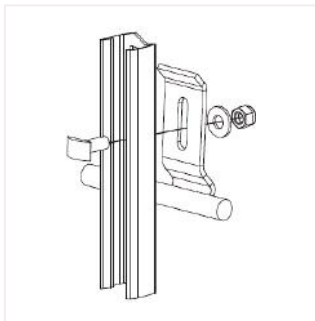
Minimum width of the rungs: 350mm

- Fastening of the FABA™ rail.
- This bracket is suitable for a wide range of different rungs.
 - On round rungs: for a diameter between Ø16mm and Ø40mm
 - On square or rectangular: from 16x16 to 40x65mm

1) Supplied with 1x screw kit M12 x 50mm.

2) Supplied with 1x screw kit M12 x 65mm.

Model	Product Code	Price
Galvanised 16-25mm 1)	503398	€41.00
Galvanised 25-40mm 2)	503408	€45.00
Stainless steel 16-25mm 1)	508817	€76.00
Stainless steel 25-40mm 2)	508827	€79.50




Central bracket on round rungs


Bracket for installation of the FABA™ A12 rail on the centre of existing round rungs, step irons for example.


Minimum width of the rungs: 350mm

- Fastening of the FABA™ rail.
- The bracket is only suitable for round rungs with a diameter between Ø15 and Ø27 mm.
- Supplied with 1x screw kit M12 x 35mm.

Model	Product Code	Price
Galvanised	508327	€28.00
Stainless Steel	503528	€49.00

 Order products on day 1, will be shipped no later than day 2,

 Order products on day 1, will be shipped no later than day 6. Maximum quantities apply for this service.

 Available on request. Please enquire about delivery times of these items.

FABA A12

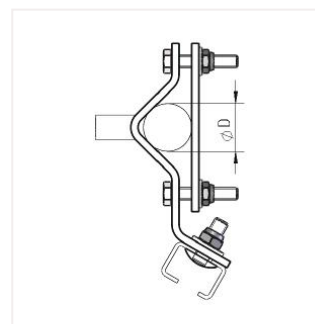
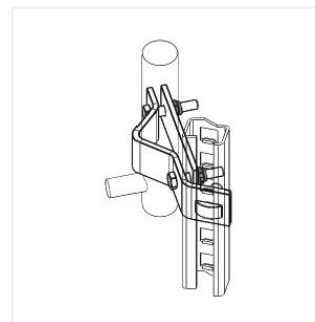
Brackets for rail for installation on side bars of existing ladders

Installation on round side bars

Bracket for the installation of FABA™ rail on the side profile (which must be round) of an existing ladder.

- Brackets for anchoring FABA™ A12 fall arrest rails.
- Dimensions: 3 different models are available for a diameter between 25mm and 80mm.
- Materials: Galvanised steel and stainless steel.
- Supplied with 1x M12 x 35mm screw kit.

Model	Product Code	Price
Lateral bracket on round side bars, galvanised, Ø25-33mm	503368	€53.50
Lateral bracket on round side bars, galvanised, Ø34-55mm	504008	€88.50
Lateral bracket on round side bars, galvanised, Ø56-80mm	508637	€111.00
Lateral bracket on round side bars, stainless steel, Ø34-55mm	504018	€158.00
Lateral bracket on round side bars, stainless steel, Ø56-80mm	508647	€201.00

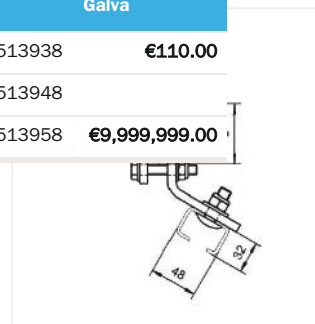
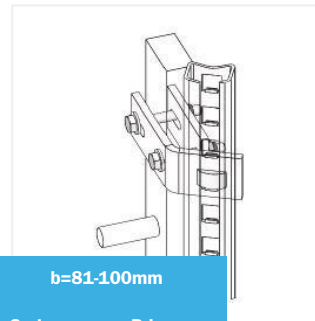


Installation on rectangular side bars

- Brackets for anchoring FABA™ A12 fall arrest rails.
- Dimensions: 6 different models are available.
- Materials: Galvanised steel and stainless steel.
- Supplied with 1x M12 x 35mm screw kit.

Each bracket is designed to fit a different side bar size. Dimensions a and b must be checked on the existing ladder to select the corresponding bracket.

Side rail dimension (cm)	b = 40-60mm		b = 40-60mm		b = 61 - 80 mm		b = 61 - 80 mm		b=81-100mm	
	Code	Price	Code	Price	Code	Price	Code	Price	Code	Price
a	Galva		Stainless steel		Galva		Stainless steel		Galva	
6 - 20 mm	503888	€111.00	503948	€179.00	503918	€110.00	503978	€192.00	513938	€110.00
21 - 30 mm	503898	€86.00	503958	€9,999,999.00	503928	€111.00	503988	€9,999,999.00	513948	
31 - 50 mm	503908	€112.00	503968	€164.00	503938	€107.00	503998	€9,999,999.00	513958	€9,999,999.00



Order products on day 1, will be shipped no later than day 2,

Order products on day 1, will be shipped no later than day 6. Maximum quantities apply for this service.

Available on request. Please enquire about delivery times of these items.

FABA A12

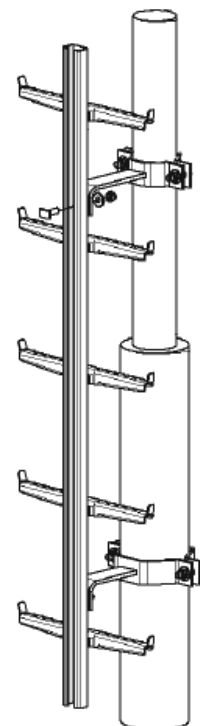
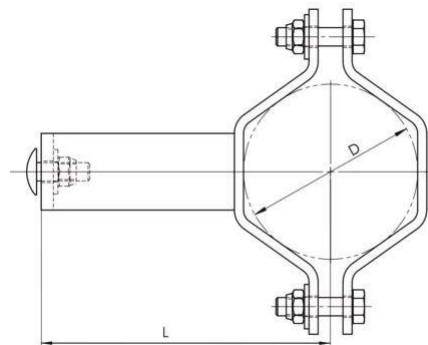
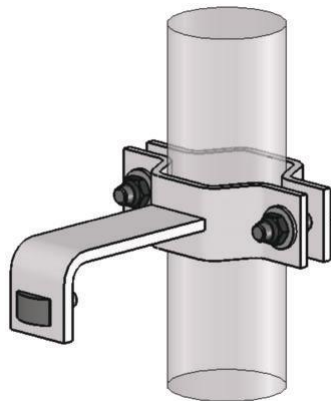
Brackets

Bracket for mast

Bracket for FABA™ A12 on mast by means of clamps.

- Composed of two elements:
 - CLAMPS with different diameters D,
 - ARMS of different lengths L (centre of the mast to the back of the rail).
- Including 1 mounting kit M12x35mm
- The length L is always given by the lower diameter of the mast used. This dimension L is decisive for the choice of the other anchorages to be used in the same dimension L of the system.
- Material: Galvanised steel.

Mast diameter (mm)	L: distance between the center of the mast and the ladder (mm)									
	184	190	203	213	217	230	243	255	269	312
Ø 80				506575	506585					
Ø 88.9	503678	506595	506605	506615	506625	506635	503688	506645		
Ø 101.6		503698	506655	506665	506675	506685	506695	506705		
Ø 114.3			506715	503708	506725	503718	503728	503738	506735	
Ø 139.7				503748	506745	503758	503768	503778	503788	
Ø 159					506755	506765	506775	506785	506795	
Ø 168.3						503798	503808	503818	506805	528027
Ø 193.7							503828	506815	506825	
Ø 219.1								503838	506835	528037
Ø 273									272897	272907
Ø 323.9									521507	528007



● Order products on day 1, will be shipped no later than day 2,

● Order products on day 1, will be shipped no later than day 6. Maximum quantities apply for this service.

○ Available on request. Please enquire about delivery times of these items.

FABA A12

Rest platform

Resting platform for ladder

The resting platforms are placed every 12 m or dependent on the building and local standard or law

The device can be folded down to ease passage and has two platforms, each 130 x 300 mm

For FABA A12 ladder systems.

- Distance between rungs min. 280 mm.
- Boltings included. The resting platform is bolted onto the rail, no fastening to the surface is required.

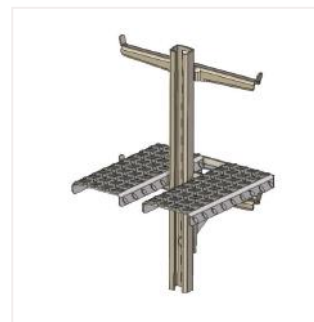
For FABA A12 rail systems :

- For manhole steps in which the FABA™ climbing protection rail has been centrally mounted on the step irons.
- Distance between step irons min. 333 mm.
- For distances between the step irons of 333 mm, the free space on the platform is restricted to 110 mm.

There are no restrictions for 400 mm distances.

- Boltings included. The resting platform is bolted onto the rail, no fastening to the surface is required.

Materials: Galvanised steel and stainless steel.



Model	Product Code	Price
Galvanised steel - Ladder	242095	€278.00
Stainless steel - Ladder	242135	€421.00
Galvanised steel - Rail	242255	€234.00
Stainless steel - Rail	242275	€621.00

Resting platform for rail

Resting platform for rails :

- For manhole steps in which the FABA™ climbing protection rail has been centrally mounted on the step irons.
- Distance between step irons min. 333 mm.
- For distances between the step irons of 333 mm, the free space on the platform is restricted to 110 mm.
- There are no restrictions for 400 mm distances.
- The resting platform is bolted onto the climbing protection rail, no fastening to the surface is required.
- The resting platforms are placed every 12 m or dependent on the building and local standard or law.



Order products on day 1, will be shipped no later than day 2



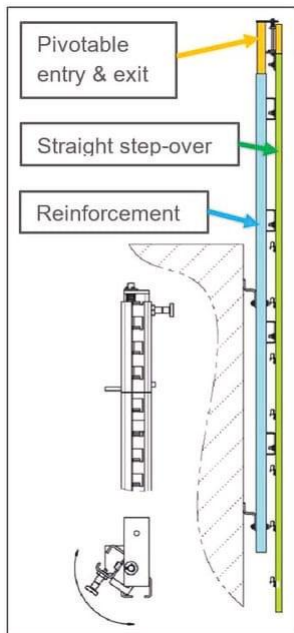
Order products on day 1, will be shipped no later than day 3. Maximum quantities apply for this service.



Available on request. Please enquire about delivery times of these items.

FABA A12

Step-overs



Straight step-over

The straight step-over ensures the safety until complete disembarkation as the slider remains connected and allow the user to secure themselves before disconnecting the slider:

- Only to be installed on the upper section of an installation.
- Total ladder length 2800 mm, landing height 964 mm.
- Number of rungs: 7.
- Materials: galvanised or stainless steel.

It must include for a ladder installation:

- the ladder extension,
- the reinforcing rail,
- the pivoting entry/exit

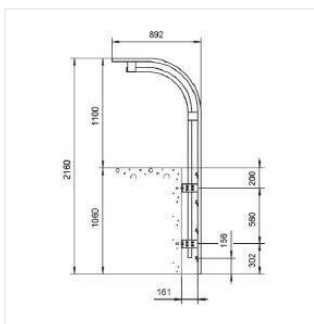
and for a rail installation (please ensure that the fall arrest rail is long enough to receive the straight step-over):

- the reinforcing rail,
- the pivoting entry/exit

Model	Type	Material	Exit direction	Product Code	Price
Kit Straight step-over	Ladder	Galvanised steel	Right	272407	€1,239.00
Kit Straight step-over	Ladder	Hot-Dip Galvanised Steel	Left	272417	€1,255.00
Kit Straight step-over	Rail	Galvanised steel	Right	272917	€772.00
Kit Straight step-over	Rail	Hot-Dip Galvanised Steel	Left	272927	€752.00
Straight step-over	Ladder	Stainless steel 316	-	500388	€730.00
Reinforcement	Ladder	Stainless steel 316	-	530347	€950.00
Pivoting entry/exit	Ladder	Stainless steel 316	Left	530227	€1,147.00
Pivoting entry/exit	Ladder	Stainless steel 316	Right	530247	€1,157.00
Reinforcement	Rail	Stainless steel 316	-	530367	€642.00
Pivoting entry/exit	Rail	Stainless steel 316	Left	530267	€877.00
Pivoting entry/exit	Rail	Stainless steel 316	Right	530287	€884.00
Reinforcement	Ladder	Galvanised steel	-	530337	€512.00
Reinforcement	Rail	Galvanised steel	-	530357	€382.00

Curved step-over

- The curved entry / exit is located at the top of the ladder or fall arrest ladder or rail.
- It facilitates the passage from the ladder to the deck or access.
- Recedes 892 mm into a safe access zone.
- Available for FABA A12 ladder or rail systems.
- Materials: Galvanised steel and stainless steel.



Model	Construction material	Product Code	Price
Galvanised, for ladder, Ø10.5mm	Hot-Dip Galvanised Steel	503468	€821.00
Galvanised, for ladder, Ø14mm	Hot-Dip Galvanised Steel	525427	€829.00
Stainless steel, for ladder, Ø10.5mm	Stainless steel 316	503478	€1,788.00
Stainless steel, for ladder, Ø14mm	Stainless steel 316	525417	€1,487.00
Galvanised, for rail, Ø10.5mm	Hot-Dip Galvanised Steel	503488	€902.00
Stainless steel, for rail, Ø10.5mm	Stainless steel 316	508237	€1,451.00

FABA A12

Components

Confined Access Accessory

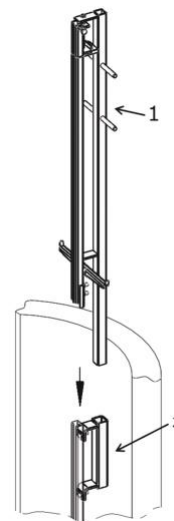
Specially designed for confined access or covered climbing facilities with FABA™ climbing protection A12.

In order to enter a confined access while maintaining an ergonomic, upright body posture, the entry aid is placed on the existing A12 climbing protection system and removed after the work has been completed.

The user is therefore able to secure him/herself while still standing beside the opening to the confined space.

This system may only be used in conjunction with a fixed connection to the climbing protection ladder.

Model	Product Code	Price
Coupling for entry aid	507175	€279.00
Portable entry aid	507155	€1,219.00
Stainless steel bracket	503578	€58.00



90° pivoting entry-exit section

The entry and exit section allows the comfortable insertion and extraction of the FABA™ carriage and must be installed at every position of the climbing facility that is intended to ensure safe release from the climbing protection system (e.g. work platforms).

It should be installed approx. 1000 mm above the standing level.

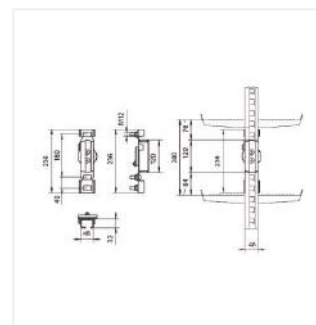
After its unlocking, the central piece can rotate by 90° and the slider exit laterally.


Vertical movement is blocked while the central piece is turned.


The central piece is locked automatically in the vertical position.


Included in the scope of delivery: 3x mounting screws M12x35mm

Model	Product Code	Price
Galvanised	503498	€298.00
Stainless steel	503508	€242.00



 Order products on day 1, will be shipped no later than day 2,

 Order products on day 1, will be shipped no later than day 6. Maximum quantities apply for this service.

 Available on request. Please enquire about delivery times of these items.

FABA A12

Security against unauthorized ascent (optional)

Access restriction

The purpose of the access restriction is protecting FABA A12 ladders from unauthorised use.

There are several options depending on the need or location of the system:

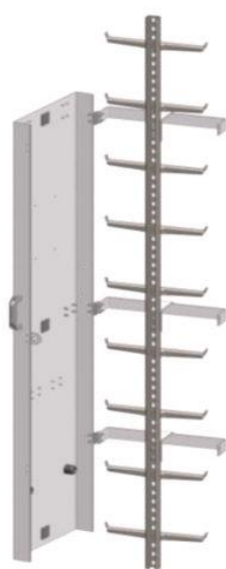
- Cover plate
- Safety door cover
- Butterfly door
- Foldable aluminium ladder for FABA ladder

The last option must combine the rail with mounting hook and the aluminium ladder.

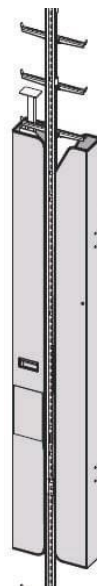
Model	Product Code	Price
Galvanised steel cover plate	209138	€462.00
Galvanised steel safety door cover	209148	€626.00
Aluminium foldable ladder	501705	€1,154.00
Galvanized rail with mounting hook for foldable ladder	503638	€397.00
Stainless steel rail with mounting hook for foldable ladder	508577	POA



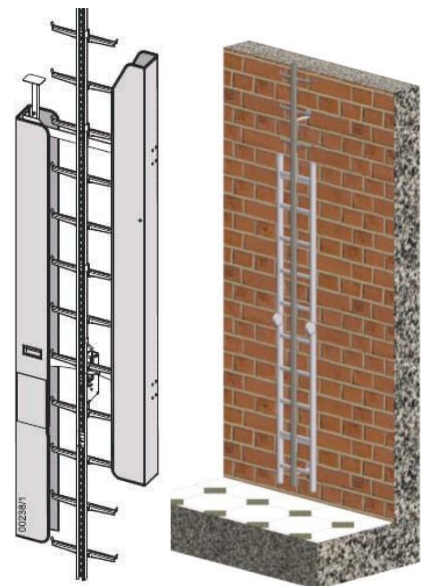
Steel cover plate



Steel safety door cover



Aluminium butterfly door



Foldable ladder

Sign plate

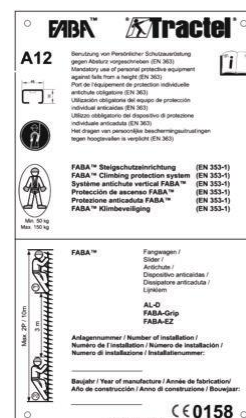
The sign plate is mandatory component of any fall protection system.

It must be installed near the access of the system.

It includes the installation reference, the compatible sliders and the year of installation.

Material: aluminium

Model	Product Code	Price
Sign plate	523897	€25.00



Temporary safety ladders

FABA System AL2 MOBIL

The FABA AL2 Mobil system

Safety ladder for temporary use on various structure types. The fasteners that accommodate the ladder are permanently fixed. In the standard version, wall and post clamp brackets are supplied for the posts.

Features FABA AL2 Mobil:

- Dimensions rail profil (H-shaped): 48 x 65 x 3-6mm
- Material: Anodised aluminum
- Design: Ladder with a central upright or with additional side upright
- Spacing in between stops: 70 mm
- Spacing in between rungs: 280 mm
- Rungs: Straight, inserted and set on the back of the rail
- Ladder width: 414 mm

Delivery Tractel:

- Supplied in manageable lengths of: 2800, 2520, 2240, 1960 and 1680 mm



FABA System AL2 MOBIL-F

The FABA AL2 MOBIL-F system

Designed for access to posts or masts with a circular cross-section. The fasteners are pre-installed on the ladder sections and provided with fastening straps to enable the ladder sections to be tightened and positioned directly on the post or mast.

Features FABA AL2 MOBIL-F:


- Dimensions rail profil (H-shaped): 48 x 65 x 3-6mm
- Material: Anodised aluminum
- Design: Ladder with a central upright or with additional side upright
- Spacing in between stops: 70 mm
- Spacing in between rungs: 280 mm
- Rungs: Straight, inserted and set on the back of the rail
- Ladder width: 414 mm


Delivery Tractel:


- Supplied in manageable lengths of: 1960 and 1680 mm
- Maximum distance between fixings: 1680 mm
- Characteristics of connectors: Automatic release of the upper end stops when fitting the next Ladder section.



For more information about our special applications, please contact Tractel:

 Order products on day 1, will be shipped no later than day 2,

 Order products on day 1, will be shipped no later than day 6. Maximum quantities apply for this service.

 Available on request. Please enquire about delivery times of these items.

FABA

Fall arresters on rail - (353-1 / 14122:4)

Since 1965, Tractel is offering vertical and horizontal access solutions (FABA systems) based on modular, robust designs.

FABA offers complete solutions and safety rails for safe access to your workplaces at height. A complete range of standard components guarantees a fall protection system according to EN 353-1. FABA fall arrest systems allow safe climbing on

fixed vertical ladders at any height and on horizontal access routes.

Area of application: Towers, fireplaces, pillars, lighting or antenna masts, pylons, chimneys.



FABA System A11

Introduced in 1965, the FABA A11 System is the precursor to the vertical access safety devices. The safety rail and slider designs are symmetrical. The slider can be inserted in either direction in the safety rail.

- Rail profile dimension: 68 x 56 x 2.8mm
- Material: Hot-dipped galvanised steel or stainless steel (1.4571)
- 3 versions of the FABA A11 exist:
 - Ladder with central rail,
 - Ladder with side bars,
 - Central rail or just a rail.
- Distance catching stops: 140 mm
- Distance between rungs: 280 mm
- Rungs: Inclined forward and welded on the back of the rail.
- Ladder width: 408 mm
- Primary Length: 2800 mm
- Maximum distance between fixings: 1960 mm

FABA A11 is particularly well suited for installation on round manhole. The bent rungs (20°) help to reduce the required space for the installation of the ladder and offer more place to the user.

On request, customer made solutions can be designed to fit perfectly to the installation site.

For more information please contact Tractel.

FABA A11 ladder with fall arrest rail

(EN353-1 / 14122-4)

Hot-dip galvanised steel version

Number of rungs	Length (cm)	Weight (kg)	Product Code	Price
2	560	4.8	501398	€108.50
3	840	7.3	502357	€198.00
4	1120	9.8	502367	€374.00
5	1400	12.3	501438	€460.00
6	1680	14.7	501458	€545.00
7	1960	17.2	501478	€622.00
8	2240	19.7	501498	€485.00
9	2520	22.1	502377	€889.00
10	2800	24.5	502387	€792.00

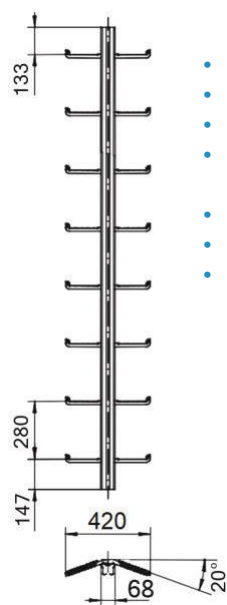
Stainless steel version

Number of rungs	Length (cm)	Weight (kg)	Product Code	Price
3	840	7.3	501418	€433.00
4	1120	9.8	501428	€497.00
5	1400	12.3	501448	€941.00
6	1680	14.7	501468	€1,115.00
7	1960	17.2	501488	€1,492.00
8	2240	19.7	501508	€1,448.00
9	2520	19.7	501518	€1,620.00
10	2800	24.5	501528	€1,689.00

Ladder with release facility

Model	Length (mm)	Weight (kg)	Product Code	Price
Hot dip galvanised	1680 mm	14.3	501638	€612.00

Model	Length (mm)	Weight (kg)	Product Code	Price
Stainless steel	1680 mm	14.3	501658	€1,253.00



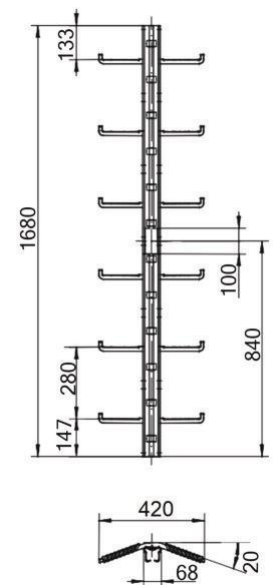
FABA A11 ladder with fall arrest rail.

- Available in various lengths from 840 to 2800 mm.
- Distance between rungs 280 mm.
- Catching cut-outs in fall arrest rail every 140 mm.
- The rungs are forged from solid steel and welded to the back of the rail. They have a profiled tread and 20 mm high slip-off pins
- Rungs 170 mm wide on each side bent at 20°
- Material: Hot-dip galvanised steel or stainless steel
- Standard: EN 353-1, BGV D36, DIN 18799-2

Ladder with release facility

The ladder with release facility enables the comfortable insertion and retrieval of the FABA slider at the lower end of the ladder.

The installation of a detachable catch above the release is mandatory to prevent any involuntary retrieval of the slider.



Order products on day 1, will be shipped no later than day 2,

Order products on day 1, will be shipped no later than day 6. Maximum quantities apply for this service.

Available on request. Please enquire about delivery times of these items.

FABA A11 ladder with side bars and fall arrest rail

(EN353-1 / 14122-4)

Hot-dip galvanised steel version

Number of rungs	Length (mm)	Weight (kg)	Product Code	Price
4	1120	12.4	501718	€539.00
5	1400	15.5	501738	€430.00
6	1680	18.6	501758	€716.00
7	1960	21.7	501798	€776.00
10	2800	31.1	501858	€963.00

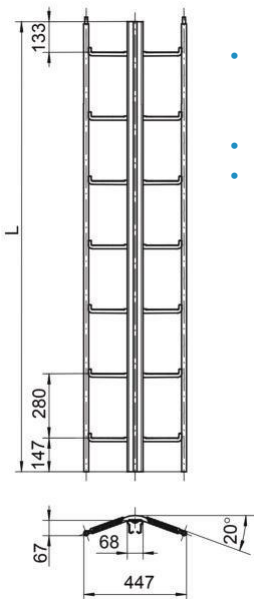
Stainless steel version

Number of rungs	Length (mm)	Weight (kg)	Product Code	Price
4	1120	12.4	501728	POA
5	1400	15.5	501748	
6	1680	18.6	501778	
7	1960	21.7	501808	
10	2800	31.1	501868	€1,937.00

Ladder with side bars and release facility

Model	Length (mm)	Weight (kg)	Product Code	Price
Hot dip galvanised	1680	18.6	512918	€531.00

Model	Length (mm)	Weight (kg)	Product Code	Price
Stainless steel	1680	18.6	512928	€780.00



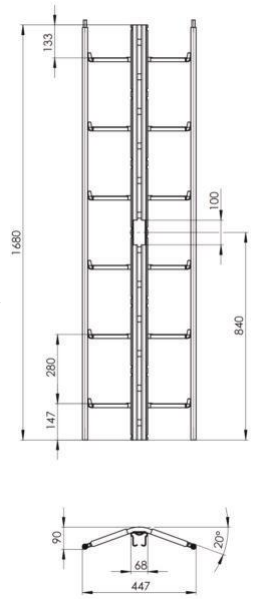
FABA A11 with side bars and fall arrest rail


- In addition to the all specifications of the standard FABA A11 ladder, the version includes sidebars. This version is recommended when the rungs cannot be used as climbing aids for the hands.
- Available in various lengths from 1120 to 2800 mm.
- Material: Hot-dip galvanised steel or stainless steel


Ladder with release facility


The ladder with release facility enables the comfortable insertion and retrieval of the FABA slider at the lower end of the ladder.

The installation of a detachable catch above the release is mandatory to prevent any involuntary retrieval of the slider.



 Order products on day 1, will be shipped no later than day 2.

 Order products on day 1, will be shipped no later than day 6. Maximum quantities apply for this service.

 Available on request. Please enquire about delivery times of these items.

FABA A11 fall arrest rail

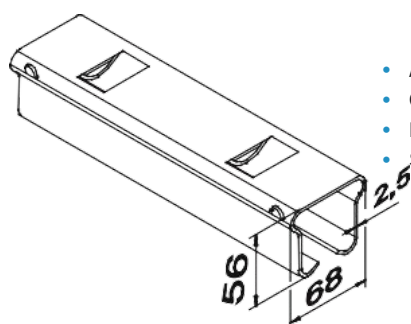
(353-1 / 14122-4)

Rail made in hot-dip galvanised steel.

Model	Length (mm)	Weight (kg)	Product Code	Price
4	1120	4.3	500198	€66.50
5	1400	5.3	500208	€134.00
6	1680	6.4	500218	€111.00
7	1960	7.5	500228	€128.00
10	2800	10.8	503335	€177.00


Rail made in stainless steel


Model	Length (mm)	Weight (kg)	Product Code	Price
3	840		500278	€39.00
4	1120	4.3	500288	€249.00
5	1400	5.3	500298	€271.00
6	1680	6.4	500308	€316.00
7	1960	7.5	500318	€368.00
10	2800	10.8	500348	€466.00




FABA A11 fall arrest rail.

- Available in various lengths from 1120 to 2800 mm. .
- Catching cut-outs in fall arrest rail every 140 mm.
- Material: stainless steel 1.457 (316 Ti).
- Standard: EN 353-1, BGV D36, DIN 18799-2.

 Order products on day 1, will be shipped no later than day 2.

 Order products on day 1, will be shipped no later than day 6. Maximum quantities apply for this service.

 Available on request. Please enquire about delivery times of these items.



FABA Klassik 150kg

We are introducing the new slider FABA Klassik 150kg. It is an upgrade to the actual FABA Klassik. This new version conforms to the latest applicable standard EN 353-1 and to the European Regulation 2016/425 and is certified for a user weighing up to 150kg.

This slider is a part of the process of upgrading our range of PPE fall protection products and an extension of the FABA range.

The slider is certified and compatible with the rail and ladder of FABA A11 galvanized steel or stainless steel its related accessories.

This rigid vertical fall arrester is tested to stop the fall of one operator, with its tools and equipment, weighing up to 150 kg. It enables several operators to work in safety (each operator having his own FABA Klassik slider) if there are no more than two operators within 10m and at least 3m between them.

In order to provide protection for the user up to the maximum allowed weight, all the products of the system must be HIGH CAPACITY RANGE 150 KG (Please note: The component with the lowest capacity always determines the maximum capacity of the entire fall arrest system.)

Model	Product Code	Price
FABA Klassik M10	514208	€922.00
FABA Klassik - M23	N 514218	POA



Harness HT120

EN361



Harness designed for movement (up or down) on structures equipped with an EN 353.1 rail or cable fall arrester device equipped with an approved fall arrest umbilical anti-fallback system attachment point.

The HT120 harness is equipped with an approved fall arrest umbilical attachment point. This attachment point, while being fall arrest approved, provides comfortable support going up or down. HT 120 is the only harness on the market that offers this type of attachment point.

The HT120 harness is particularly adapted for climbing on ladders equipped with a rail-mounted FABA type fall arrester, whether or not including a tractelift climbing aid system.

It's patented design prevents the user from falling backwards in the event of a fall, eliminating the risk of serious back injuries

- 1 dorsal attachment point.
- 2 thoracic attachment points.
- 1 umbilical attachment point.

	S	M	XL	Price
HT120 - Standard Buckles	61702	61712	61722	€185.00

Order products on day 1, will be shipped no later than day 2,

Order products on day 1, will be shipped no later than day 6. Maximum quantities apply for this service.

Available on request. Please enquire about delivery times of these items.

FABA A11

Components

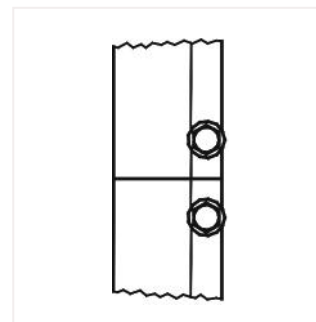
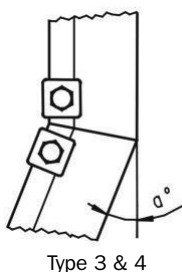
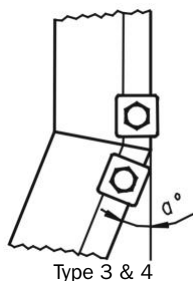
FABA A11 joint connector

Joint connector between FABA A11 ladders or rails.

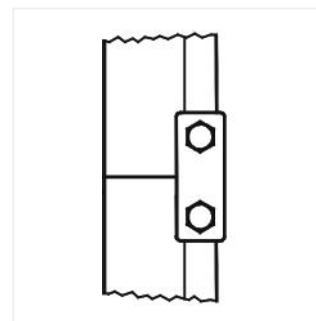
Materials: stainless steel.

4 different type of connectors is existing depending on the configuration of the installation.

Model	Type	Product Code	Price
Straight connection	1	507197	€74.50
Straight connection with lightning discharge	2	507307	€98.00
Connection angle between 5° and 15°	3	503258	€14.00
Connection angle between 15° and 25°	4	503278	POA



Type 1



Type 2

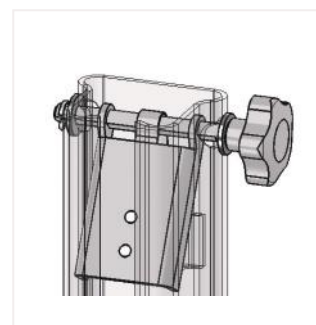
FABA A11 catch


Catches must be installed on all the entry and exit points of the rails in order to prevent unwanted exiting of a FABA slider.


2 types of catch exist:


- Detachable catches must be installed in those locations where the carriage is to be removed.
The catch must be manually unlocked and then automatically closes (spring)
- Permanent catches must be installed in those locations where the carriage is not to be removed.

Model	Product Code	Price
Detachable catch	523597	€101.00
Permanent catch	523617	€48.00



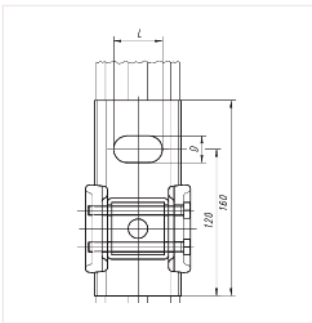
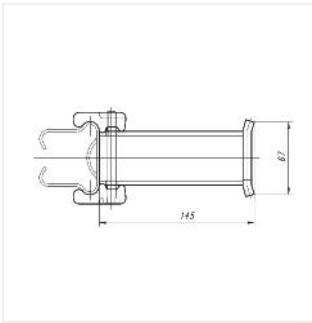
 Order products on day 1, will be shipped no later than day 2,

 Order products on day 1, will be shipped no later than day 6. Maximum quantities apply for this service.

 Available on request. Please enquire about delivery times of these items.

FABA A11

Square bracket

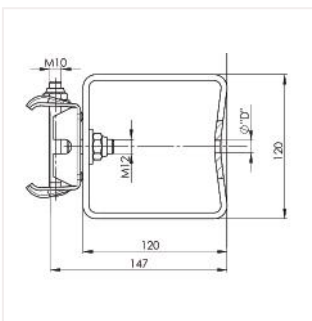
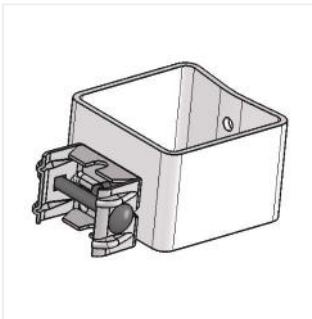


Square tube bracket type 1

The square tube bracket is designed for installation of the FABA ladder to a concrete or steel structure.

- Bracket spacing max. 2000 mm.
- Installation structure must be reinforced concrete at least B 25 (observe edge distances and wall thickness).
- Suitable for straight or round surfaces.
- Only use anchors approved by the building authorities.
- Materials: Galvanised steel or stainless steel.

Model	Oblong size D x L (mm)	Material	Product Code	Price
Square tube bracket	22x40	Galvanised steel	502208	POA
Square tube bracket	20x40	Galvanised steel	502228	POA
Square tube bracket	13.5x40	Galvanised steel	502248	€195.00
Square tube bracket	10.5x40	Galvanised steel	502268	POA
Square tube bracket	22x40	Stainless steel 316	502218	POA
Square tube bracket	20x40	Stainless steel 316	502238	POA
Square tube bracket	13.5x40	Stainless steel 316	502258	POA
Square tube bracket	10.5x40	Stainless steel 316	502278	POA





Square tube bracket type 2


The square tube bracket is designed for installation of the FABA ladder to a concrete or steel structure.

- Bracket spacing max. 2000 mm.
- Installation structure must be reinforced concrete at least B 25 (observe edge distances and wall thickness).
- Suitable for straight or round surfaces.
- Only use anchors approved by the building authorities.
- Materials: Galvanised steel or stainless steel.

Model	Ø fixing hole (mm)	Material	Product Code	Price
Square tube bracket	Ø10.5	Galvanised steel	503047	€14.50
Square tube bracket	Ø13	Galvanised steel	502068	€25.50
Square tube bracket	Ø17	Galvanised steel	502088	€25.50
Square tube bracket	Ø21	Galvanised steel	502108	POA
Square tube bracket	Ø25	Galvanised steel	502128	POA
Square tube bracket	Ø10.5	Stainless steel 316	503057	€150.00
Square tube bracket	Ø13	Stainless steel 316	502078	€56.00
Square tube bracket	Ø17	Stainless steel 316	502098	POA
Square tube bracket	Ø21	Stainless steel 316	502118	POA
Square tube bracket	Ø25	Stainless steel 316	502138	€41.00

 Order products on day 1, will be shipped no later than day 2,

 Order products on day 1, will be shipped no later than day 6. Maximum quantities apply for this service.

 Available on request. Please enquire about delivery times of these items.

FABA A11

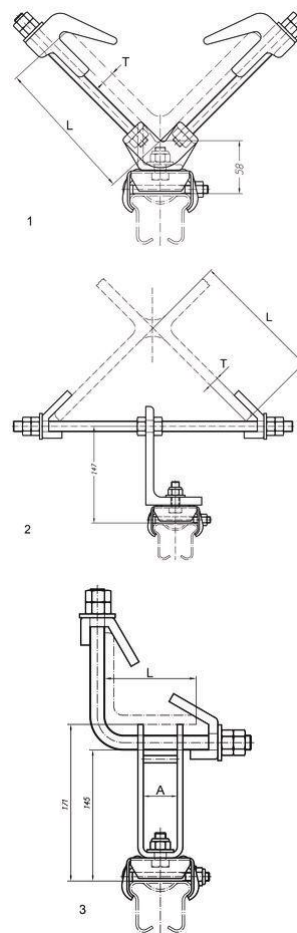
Brackets for corner profile and steel lattice mast

Bracket for corner profile

- Fastening of the FABA ladder to a corner profile.
- Select the corresponding bracket according to the dimension of the corner profile.
- For corner profiles between 80 x 80mm up to 250 x 250mm
- For X profile between 160 x 160mm and 200 x 200mm

Model	Type	Length (mm)	T (mm)	Weight (kg)	Product Code	Price
Central installation	1	80 - 110	6 - 10	0.7	503128	POA
Central installation	1	120 - 140	12 - 13	0.8	503138	POA
Central installation	1	150 - 160	15	0.9	503148	POA
Central installation	1	180 - 250	18 - 24	1	503158	POA
Support/console en X	2	160 - 180	15 - 16	1.1	503188	POA
Bracket X profile	2	200	15 - 24	1.2	503178	POA

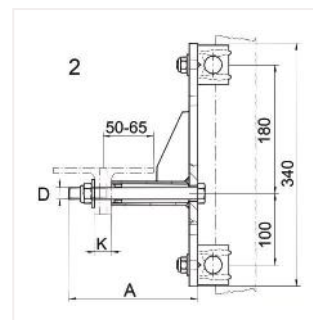
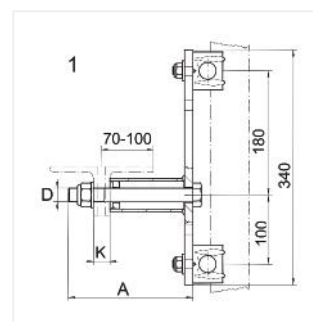
Model	Type	Length (mm)	A (mm)	Weight (kg)	Product Code	Price
Lateral installation	3	100	37	0.9	506427	POA
Lateral installation	3	110 - 150	37	1	503168	POA
Lateral installation	3	160 - 200	70	1.1	506437	POA
Lateral installation	3	210 - 250	70	1.2	506447	POA



Bracket for lattice mast

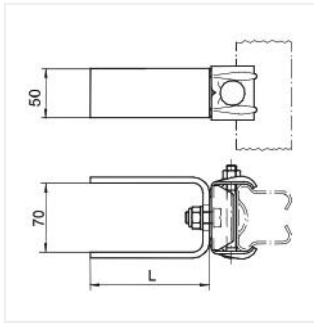
- Fastening of the FABA ladder to a corner profile (e.g. a steel lattice mast).
- Select the corresponding bracket according to the dimension of the corner profile.
- For corner profiles between 80 x 80mm up to 250 x 250mm
- For X profile between 160 x 160mm and 200 x 200mm

Model	Type	Length (mm)	A	K	D	Weight (kg)	Product Code	Price
Lattice bracket	1	70-100	180	15 - 43	M16	3.8	502508	POA
Lattice bracket	1	70-100	180	12 - 39	M20	4	502518	POA
Lattice bracket	1	70-100	180	12 - 34	M24	4.2	502528	POA
Lattice bracket	1	70-100	180	12 - 31	M27	4.5	502538	POA
Lattice bracket	1	70-100	200	36 - 60	M16	3.9	502458	POA
Lattice bracket	1	70-100	200	28 - 55	M20	4.1	502558	POA
Lattice bracket	1	70-100	200	20 - 50	M24	4.3	502568	POA
Lattice bracket	1	70-100	200	14 - 50	M27	4.5	502578	POA
Lattice bracket	2	50-65	180	15 - 43	M16	3.8	502598	POA
Lattice bracket	2	50-65	180	22 - 47	M12	3.7	502588	POA
Lattice bracket	2	50-65	180	12 - 39	M20	4	502608	POA



FABA A11

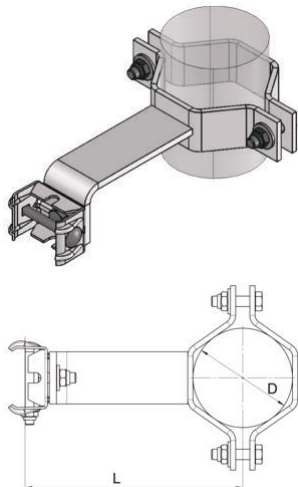
Brackets for ladder and rail



U bracket for welding

For welding on steel structure by certified welder. Protected against corrosion after welding.
Lengths between 121 and 500mm must be specified at the order.
Mounting clamp and screw set must be ordered separately.

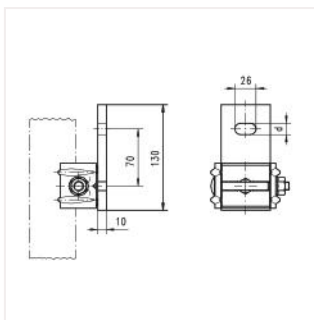
Model	Length (mm)	Product Code	Price
Stainless steel, untreated	120	504067	€114.00
Stainless steel, untreated L121-305	121 - 305	502788	POA
Stainless steel, untreated L306-400	306 - 400	502808	POA
Stainless steel, untreated L401-500	401 - 500	502818	POA
Steel, untreated	120	504057	€36.50
Steel, untreated L121-305	121 - 305	502778	€500.00
Steel, untreated L306-400	306 - 400	502798	€192.00
Steel, untreated L401-500	401 - 500	502828	POA
Metal sheet	-	502827	€30.00
Mounting screws M12x30 stainless steel	-	507257	€1.60



Bracket for round mast

Bracket for round mast, made on demand. Includes 1 clamp.
Material: galvanised steel or stainless steel

Model	Diameter (cm)	Length (mm)	Material	Product Code	Price
D114.3 - L249 - G	114.3	249	Hot-Dip Galvanised Steel	525957	POA
D139.7 - L190 - G	139.7	190	Hot-Dip Galvanised Steel	526617	POA
D146 - L220 - G	146	220	Hot-Dip Galvanised Steel	529987	POA
D159 - L390 - G	159	390	Hot-Dip Galvanised Steel	527087	POA
D231 - L240 - G	231	240	Hot-Dip Galvanised Steel	523837	POA
D241 - L240 - G	241	240	Hot-Dip Galvanised Steel	523827	POA
D244.5 - L202 - G	244.5	202	Hot-Dip Galvanised Steel	524267	POA
D265 - L279 - G	265	279	Hot-Dip Galvanised Steel	523637	POA
D300 - L325 - G	300	325	Hot-Dip Galvanised Steel	521727	POA



Bracket for shaft

Bracket dedicated for installation in shaft with limited dimension

Model	Diameter d (mm)	Weight (kg)	Product Code	Price
Galvanised	Ø10.5	0.8	503198	€95.00
Galvanised	Ø14	0.8	503208	€94.00
Stainless steel	Ø10.5	0.8	506667	€69.50
Stainless steel	Ø14	0.8	503218	POA

FABA A11

Bracket for rail

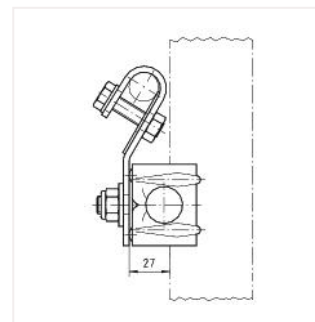
Bracket centrally mounted on step iron

Only for single step iron

Diameter of the step iron between 19 and 22 mm. For step iron with a diameter of more than 20 mm, the spacer is removed during installation.

Installation on the middle of existing step irons

Model	Material	Weight (kg)	Product Code	Price
Step iron bracket	Stainless steel 316	0.7	503187	€107.00



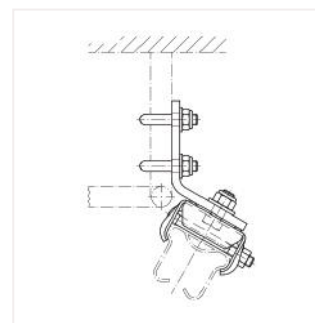
Bracket mounted sideways on step iron

Only for single step iron

Diameter of the step iron between 19 and 22 mm. For step iron with a diameter of more than 20 mm, the spacer is removed during installation.

Installation on the side of existing step irons

Model	Material	Weight (kg)	Product Code	Price
Lateral step iron bracket	Hot-Dip Galvanised Steel	1.2	503038	POA
Lateral step iron bracket	Stainless steel 316	1.2	503048	€110.00



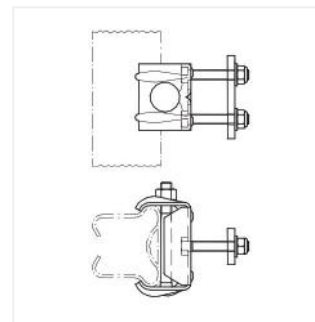
Central bracket on rungs


For bracket spacing, see leaflet BGI 691 (old ZH 1/604).


Clamping range up to 60 mm.


Installation on the rungs of an existing ladder.

Model	Rungs diameter (mm)	Material	Weight (kg)	Product Code	Price
Bracket 30mm	30	Stainless steel	0.7	503477	€46.00
Bracket 40mm	40	Stainless steel	0.7	502308	POA
Bracket 50mm	50	Stainless steel	0.7	502318	POA
Bracket 60mm	60	Stainless steel	0.7	503328	POA
Bracket 30-60mm	30-60	Stainless steel	0.4	502888	€74.50



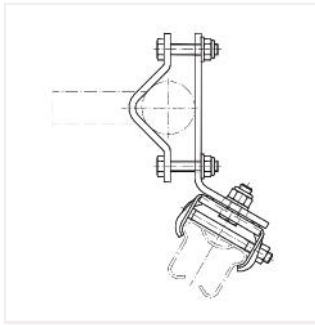
 Order products on day 1, will be shipped no later than day 2,

 Order products on day 1, will be shipped no later than day 6. Maximum quantities apply for this service.

 Available on request. Please enquire about delivery times of these items.

FABA A11

Brackets for rail for installation on side bars of existing ladders

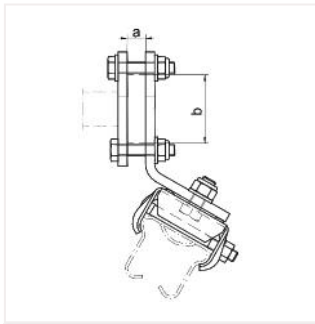


Installation on round side bars

Bracket for the installation of FABA rail on the side profile (which must be round) of an existing ladder.

- Brackets for anchoring FABA A11 fall arrest rails.
- Dimensions: 3 different models are available for a diameter between 33mm and 80mm.
- Materials: Galvanised steel and stainless steel.
- Supplied with 1x clamp

Model	Product Code	Price
Lateral bracket on round side bars, galvanised, Ø33-50mm	503058	POA
Lateral bracket on round side bars, galvanised, Ø60-80mm	505457	POA
Lateral bracket on round side bars, stainless steel, Ø34-55mm	503068	POA
Lateral bracket on round side bars, stainless steel, Ø60-80mm	505467	POA





Installation on rectangular side bars


- Brackets for anchoring FABA A12 fall arrest rails.
- Dimensions: 6 different models are available.
- Materials: Galvanised steel and stainless steel.
- Supplied with 1x M12 x 35mm screw kit.

Each bracket is designed to fit a different side bar size. Dimensions a and b must be checked on the existing ladder to select the corresponding bracket.

Side rail dimension (cm)	b = 40-60mm		b = 40-60mm		b = 61 - 80 mm		b = 61 - 80 mm	
	Code	Price	Code	Price	Code	Price	Code	Price
a	Galva		Stainless steel		Galva		Stainless steel	
6 - 20 mm	503888	€111.00	503948	€179.00	503918	€110.00	503978	€192.00
21 - 30 mm	503898	€86.00	503958	€9,999,999.00	503928	€111.00	503988	€9,999,999.00
31 - 50 mm	503908	€112.00	503968	€164.00	503938	€107.00	503998	€9,999,999.00

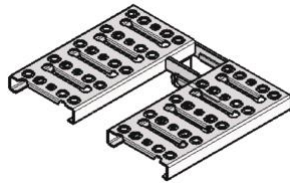
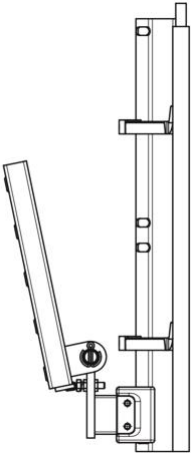
 Order products on day 1, will be shipped no later than day 2,

 Order products on day 1, will be shipped no later than day 6. Maximum quantities apply for this service.

 Available on request. Please enquire about delivery times of these items.

FABA A11

Rest platform



Pivotable rest platform

- For FABA A11 climbing protection ladders or rail (centrally installed on existing rungs).
 - The platform pivots behind the ladder or rungs
- The platform is clamped to the rail, no fastening to the structure required.

Materials: Galvanised steel and stainless steel.

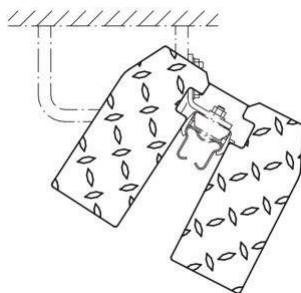
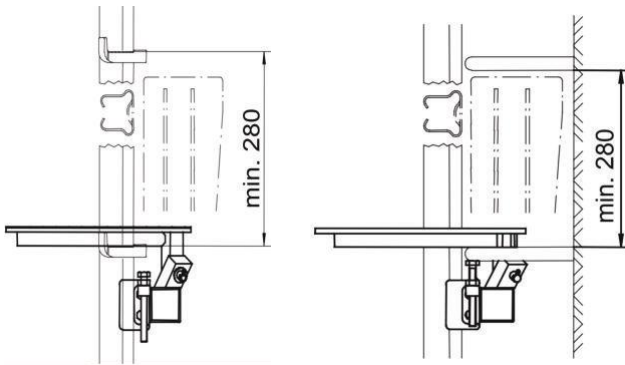
Model	Product Code	Price
Galvanised for ladder	526507	€454.00
Stainless steel for ladder	527097	€712.00
Galvanised for rail	528317	POA

Foldable rest platform

- For all FABA A11 climbing protection ladders, and rail installed centrally on the rungs (minimum distance of 280mm between rungs needed).
- For all FABA A11 climbing protection rails installed on side of step irons Only with bracket: 503038 or 503048.

The platform is clamped to the rail, no fastening to the structure required.

Materials: Galvanised steel and stainless steel.



Model	Weight (kg)	Product Code	Price
Galvanised	8	507465	€955.00
Stainless steel	7.5	507455	€1,268.00

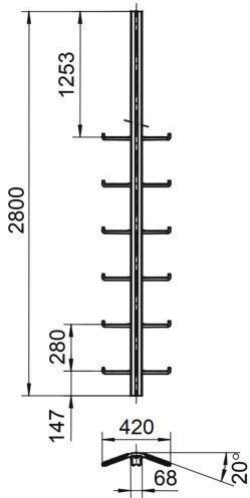
Order products on day 1, will be shipped no later than day 2,

Order products on day 1, will be shipped no later than day 6. Maximum quantities apply for this service.

Available on request. Please enquire about delivery times of these items.

FABA A11

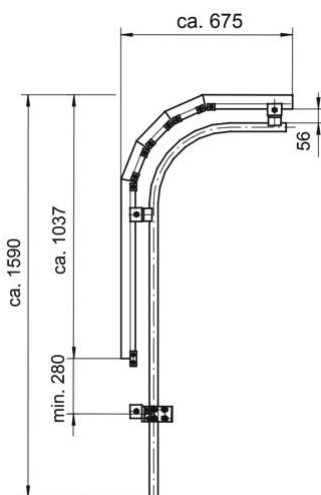
Step-overs



Straight step over

- Stepping over onto a platform at the top of an access ladder, e.g. grating platform with folding grating.
- The climbing protection ladder has no rungs at the top.
- The step-over is fixed to the structure with at least 2 brackets.
- Always install a detachable catch at the upper end.
- Order detachable catch separately.

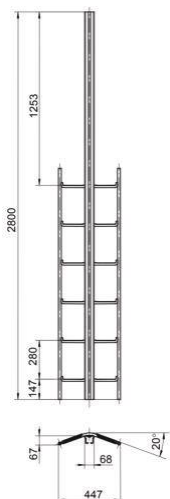
Model	Weight (kg)	Product Code	Price
Galvanised version	19	501648	€554.00
Stainless steel version	19	501668	€860.00



Curved step over

- Climbing over to a standing surface at the top of a ladder, e.g. climbing over to the roof.
- The curved step-over is fixed to the structure with a bracket.
- Always install a detachable catch at the upper end.
- Order detachable catch separately.


Model	Weight (kg)	Product Code	Price
Galvanised version	15.5	504228	€1,395.00
Stainless steel version	15.5	504238	POA





Straight step over with sidebars

- Stepping over onto a platform at the top of an access ladder, e.g. grating platform with folding grating.
- The climbing protection ladder has no rungs at the top.
- The step-over is fixed to the structure with at least 2 brackets.
- Always install a detachable catch at the upper end.
- Order detachable catch separately.

Model	Weight (kg)	Product Code	Price
Galvanised version	19	501768	€1,169.00
Stainless steel version	19	501788	€1,482.00

 Order products on day 1, will be shipped no later than day 2.

 Order products on day 1, will be shipped no later than day 6. Maximum quantities apply for this service.

 Available on request. Please enquire about delivery times of these items.

FABA A11

Components

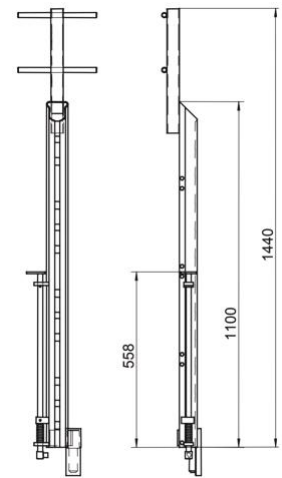
Confined Access Accessory

Specially designed for confined access or covered climbing facilities with FABA™ climbing protection A11.

In order to enter a confined access while maintaining an ergonomic, upright body posture, the entry aid is placed on the existing A11 climbing protection system and removed after the work has been completed. The user is therefore able to secure him/herself while still standing beside the opening to the confined space.

This system may only be used in conjunction with the dedicated coupling or connector.

Model	Product Code	Price
Portable entry aid	503805	€1,480.00
Coupling for entry aid	508245	€402.00
Connector	509437	€282.00



90° pivoting entry-exit section

The pivoting entry and exit allows an easy insertion and retrieval of the slider. It can be installed at any point of the climbing walkway where a safe release from the climbing protection is guaranteed (e.g. platforms).

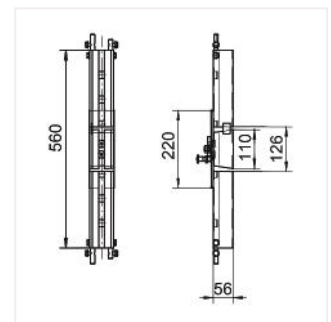
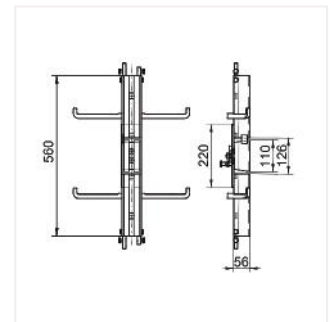
It should be positioned approx. 1100 mm above the stand surface.

The rail centre section can be turned by 90° and the slider can be retrieved on the side.

Straight connectors are pre-mounted at each end of the component.

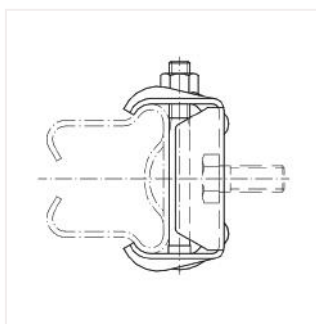
The pivoting entry and exit must be fastened to the structure with a bracket.

Model	Length (mm)	Weight (kg)	Product Code	Price
Galvanised for ladder	560	4.9	508847	€722.00
Stainless steel for ladder	560	4.9	504078	POA
Galvanised for rail	560	3.4	504108	€501.00
Stainless steel for rail	560	3.4	504118	€700.00



FABA A11

Components

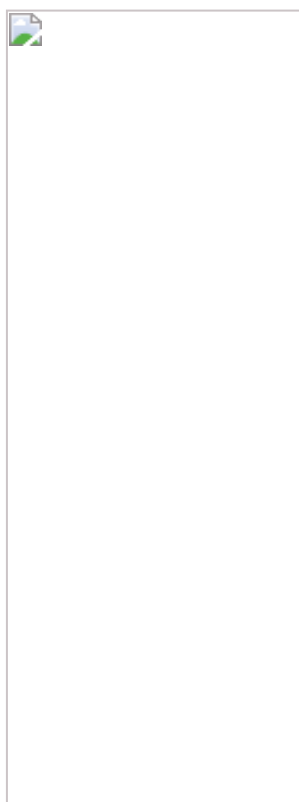


Clamp

Fixing clamp for FABA A11.

Screw set must be ordered separately.

Model	Product Code	Price
Metal sheet	502827	€30.00
Mounting screws M12x30 stainless steel	507257	€1.60



Access restriction

The purpose of the access restriction is to have an element that makes it impossible for unauthorised personnel to access the fall arrest system.

Material: Aluminium.

Model	Weight (kg)	Product Code	Price
Aluminium cover plate	11.2	508145	€2,236.00



Sign plate

The sign plate is mandatory component of any fall protection system.

It must be installed near the access of the system.

It includes the installation reference, the compatible sliders and the year of installation.

Material: aluminium

Model	Product Code	Price
Sign plate	523887	€20.50

Tractelift

The Tractelift is a climb assist system that relieves the weight of single or multiple climbers while ascending and descending the wind turbine ladder. The Tractelift gives traction relief in an adjustable pulling force up to 90 lbs (40 kg).

The Tractelift is easy to install, offers a continuous run rope loop and can fit onto virtually any kind of vertical ladder. With an adjustable clutch allowing the user to choose their own pulling force, this feature gives the Tractelift more advantages over the competition. The Tractelift can be fitted with a fixed or detachable motor, depending on the user's preference.

THE Tractelift IS NOT FALL ARRESTER EQUIPMENT.



For more information about our special applications, please contact Tractel:



Confined spaces



Confined space range

Davitrac - Davit arm



- Permanent anchor point (2 users of 150 kg each), compatible for working suspended on rope
- Lifting anchor point complying with machinery standards 2006/42/CE - WLL : 500 kg
- Permanent or semi-permanent installation
- Manual or motorised lifting
- Several bases available

Davimast - anchor



- Permanent anchor point (2 users of 150 kg each)
- Lifting anchor point complying with machinery standards 2006/42/CE - WLL : 250 kg
- Permanent or semi-permanent installation
- Manual
- Compatible with davitrac bases

Tracpode



- Material and people lifting (compatible for work in suspension)
- 150 kg people / WLL 500 kg material
- Semi-permanent installation
- Rugged mobile solution
- Manual and motorised

Tracrod

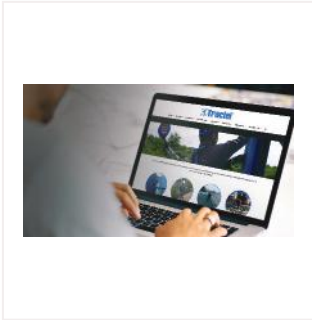


- Permanent anchor point (150 kg)
- Semi-permanent installation
- Manual

FABA ladder



Confined space configurator



Tractel®'s experience puts it at the forefront of providing safe, reliable and easy-to-use equipment for installation and maintenance.

A complete product range, combined with extensive expertise and experience in compliance to standards, as well as an online solution configurator make Tractel® the perfect partner.

To guide you in choosing the right solution for your needs, we have developed a **dedicated Confined Space Configurator**. Depending on your application, our special configurator will help you choose the right solution to work safely in confined spaces.

As safety in confined spaces is a key challenge, trust the experts for safe and unique solutions; Trust Tractel®.

Confined space solutions

Not sure what you need?

Tractel® will analyse your situation in order to propose the best solution.

Product selection

Already know your ideal solution?

If you already know what product you need, you can configure it according to your confined access needs.

Configure & quote

Want to view the complete Tractel® range?

You can view all Tractel® products related to the Confined Space range to learn more about each product.

View Catalogue

Visit <https://www.tractel.com/en/industry-solutions/confined-space> and put together the right solution for your confined space issue. For a customized consultation, please contact our Customer Service.

Davitrac

Davit arm for access to confined spaces, safe lifting solution

EN795 & Machine directive 2006/42/CE

The Davitrac is a complete solution for safe vertical lifting of personnel and material in confined space situations.

Mobile and efficient solution for confined space situations.

It offers protection and total mobility for two people simultaneously, during work involving risk of falling

Its compatibility with the Tractel tool range allows a large number of possible configurations.

Technical characteristics:

- Weight: 30 kg (without accessories & bases)
- Anchor points for fall arresters (2 users): 150kg each
- Maximum load capacity (materials): WLL 500 kg
- 360° rotating mast (with locking every 90° or 180° when using H-Base)

Standards:

- Individual protection of operators against falls (EN 795 Class A and/or B + EN 360)
- CEN/TS 16415:2013 (Fall arrest for 2 users).
- EN 1496
- Machine Directive 2006/42/CE (Material lifting).

Compatibles applications:

- Rescue
- Confined spaces access
- Rope works
- Manholes
- Pits
- Sewer access
- Pipes
- Oil and gas
- Civil engineering
- Industry
- Wind and solar installation

NEW

Integrate this product using **BIM and 3D files**. Access downloads on the product page of our website.



Model	Weight (kg)	Product Code	Price
Davitrac	29.5	286819	€2,870.00
Wall mounted adapter	13.7 kg	210118	€688.00
Clearance mural adapter	18.7 kg	210128	€706.00
Mounted floor adapter	12.7 kg	210108	€579.00
Flush floor adapter with protective cap	10.7 kg	210138	€604.00
Portable H base self-stabilizing	53 kg	210098	€2,350.00
Clearance mural adapter Stainless steel	15.6 kg	218018	€1,948.00
Mounted floor adapter Stainless steel	13.4 kg	218008	€1,455.00
Protective cap for adapters	0.2 kg	294129	€36.50

The protective cap is suitable for all adapters except the portable H-base.



Flush floor adapter



Mounted floor adapter



Wall mounted adapter



Mural adapter



Portable H-base

Davitrac

Several solutions with Tractel product range

For lifting materials and rescuing people



- Manual winches (caRoI™)
- Motorised winches (caRoI™)
- Complete with bracket



- Hand-operated wire rope hoist with stirrup adapter (scafor)
- Complete with bracket



- Fall arresters on a flexible anchor line (stopfor™)
- Controlled speed descent evacuation system (derope™)



- Automatic fall arresters with integrated winch (blocfor™ R)
- Complete with bracket

Material handling without height limitation

- Traction hoists (tirak™)
- Lifting hoists (minifor™)
- Manual chain hoists (tralift™)



Perfectly suitable for rescuing people



Davitrac

Accessories: safety & rescue

Blocfor with bracket for Davitrac

EN360 - EN1496

Automatic fall arrester (**EN360**) with rope (galvanised or stainless steel), with integrated winch rescue (**EN1496**).

Can be easily integrated on the davitrac, without tools.

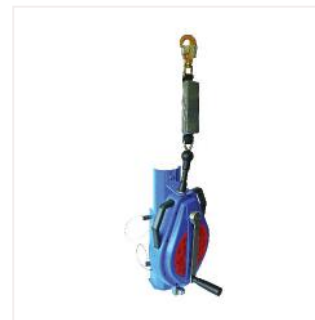
Allows to secure an operator up to 150 kg, equipped with his tools.

- Integrate winch : Automatic fall protection device with integrated winch for ascending or descending during a possible rescue operation.
- Shock-absorption system ESD : is also a fall indicator, eliminating the risk of using the device after a fall. It ensures that the user will not be subjected to an impact of more than 600 daN even if the fall occurs when the cable is fully unwound.
- The Blocfor cable is guided by equipped pulleys with an anti-jump cable fixed on the head of the davitrac.

Model	Weight (kg)	Length (cm)	Product Code	Price
Blocfor 20R Evo galva ESD with bracket for Davitrac - 150kg range	15.6	18	84122	€2,173.00
Blocfor 20R Evo Inox with bracket for Davitrac - 150kg range	15.6	18	84132	€2,312.00
Blocfor 30R galva ESD with bracket for Davitrac - 150kg range	24	30	84142	€2,572.00
Blocfor 30R inox with bracket for Davitrac - 100kg range	24	30	84152	€2,766.00

NEW

Integrate this product using **BIM and 3D files**. Access downloads on the product page of our website.



Carol R with bracket for Davitrac

EN1496 - Directive 2006/42/CE

Rescue winch compliant with **EN 1496**, with a maximum load of 150 kg.

Carol R winch 150kg also meets the requirements of hoisting winches with a maximum load of 250 kg (**Directive 2006/42/CE**).

Can be easily integrated on the Davitrac, without tools.

Allows to secure an operator up to 150 kg, equipped with his tools. Can also be used for lifting materials with a capacity of 250kg.

- Available cable lengths of 20m and 30m
- The winch cable is guided by equipped pulleys with an anti-jump cable fixed on the head of the Davitrac.

Model	Weight (kg)	Product Code	Price
CaRol R 250kg with 20m of galvanized cable and bracket for Davitrac	28.9	286949	€1,220.00
CaRol R 250kg with 30m of galvanized cable and bracket for Davitrac	36.1	286959	€2,644.00

NEW

Integrate this product using **BIM and 3D files**. Access downloads on the product page of our website.



Order products on day 1, will be shipped no later than day 2

Order products on day 1, will be shipped no later than day 3. Maximum quantities apply for this service.

Available on request. Please enquire about delivery times of these items.

Davitrac

Accessories: safety & rescue



Scafor with bracket for Davitrac

EN1496 - Directive 2006/42/CE

Rescue winch compliant with **EN 1496**, with a maximum load of 150 kg.

Scafor also meets the requirements of hoisting winches with a maximum load of 500 kg (**Directive 2006/42/CE**).

Can be easily integrated on the davitrac, without tools.

Allows to secure an operator up to 150 kg, equipped with his tools. Can also be used for lifting materials with a capacity of 500kg. Thanks to its pass-through cable winch technology, it permits the installation of very long cables of more than 30m.

- The Scafor cable is guided by equipped pulleys with an anti-jump cable fixed on the head of the Davitrac.

To secure the work of an operator on a length greater than 30m, use a Stopfor fall arrester with a suitable length of rope.

Model	Weight (kg)	Product Code	Price
Scafor R 500kg without cable - with bracket for Davitrac	13.6	293019	€3,115.00
Galvanized wire rope - Ø 6, 5mm - 20m - equipped with M47 - for Scafor	5	245899	€159.00
Galvanized wire rope - Ø 6, 5mm - 30m - equipped with M47 - for Scafor	6.8	245909	€199.00
Galvanized wire rope - Ø 6, 5mm - 40m - equipped with M47 - for Scafor	8.6	245919	€275.00
Galvanized wire rope - Ø 6, 5mm - 50m - equipped with M47 - for Scafor	10.5	245929	€331.00
Galvanized wire rope - Ø 6, 5mm - 60m - equipped with M47 - for Scafor	12.3	286929	€364.00
Galvanized wire rope - Ø 6, 5mm - 70m - equipped with M47 - for Scafor	14.1	286939	€407.00



Carol TS 500 - lifting materials - with 18m of galvanized cable and bracket for Davitrac

2006/42/CE

Manual designed for simple lifting and pulling applications (**2006/42/CE**).

Can be easily integrated on the davitrac, without tools.

- The winch cable is guided by equipped pulleys with an anti-jump cable fixed on the head of the Davitrac.

Model	Product Code	Price
caRol TS 500 - with 18m of galvanized cable and bracket for Davitrac	286989	€2,514.00



Order products on day 1, will be shipped no later than day 2



Order products on day 1, will be shipped no later than day 3. Maximum quantities apply for this service.



Available on request. Please enquire about delivery times of these items.

Carol MO with console for Davitrac - lifting materials

2006/42/CE

Electric winch designed for simple lifting and pulling applications (**2006/42/CE**), ideal to replace a manual winch.

Can be easily integrated on the davitrac, without tools.

- Drum in mechanically welded steel
- Limit switch
- Capacity : 500kg max (depending of the model)
- The winch cable is guided by equipped pulleys with an anti-jump cable fixed on the head of the davitrac.

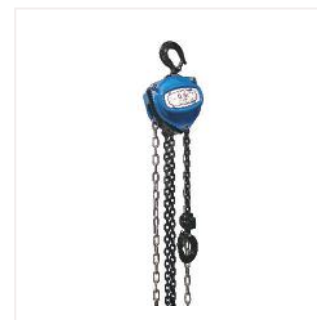


Model	Product Code	Price
CaRol MO 500 - lifting materials - with 13m of galvanized cable and bracket for Davitrac	293009	€3,813.00

Tralift

The Tralift manual hand chain hoist has a unique Tractel design which is compact, light yet robust, able to tackle the most extreme lifting conditions.

- Compact and lightweight
- Robust design with cast steel safety catches
- Easily portable for use anywhere
- Swivel hook with overload indication and robust cast steel safety catches



Model	Product Code	Price
Tralift 500kg - 10m	286849	€390.00

Trolley for Davitrac - Davimast

The trolley for Davitrac – Davimast is designed for the safe and ergonomic transport of davitrac or davimast confined-space anchor points to the working area. It can be used by one operator easily, reducing the amount of effort required.

It is made of carbon steel, coated with an anti-corrosion painting. On the inner part of the transport arm there is a silicon layer, to protect the painting and reduce the risk of scratching and wearing.

It has two independent rubber wheels, which allows its operation on any type of ground.



Model	Product Code	Price
Trolley for Davitrac - Davimast	210618	€414.00
Transport bag	84582	€149.00



NEW

Integrate this product using **BIM and 3D files**. Access downloads on the product page of our website.



Davimast equipped with 2 anchor points 360° to secure persons

EN 795-A - CEN/TS 16415

Technical characteristics:

- Anchor point with a maximum capacity of 2 operators of 150 kg each.
- Bracket equipped with 2 anchor points 360°.
- Lightweight, easy storage, transport and set-up
- No tools required for assembly
- Uses the same bases as the davitrac (except self-stabilizing base)

Model	Product Code	Price
Davimast - mast	210188	€865.00
bracket with 2 anchor points	210198	€590.00



Davimast equipped with Blocfor R fall arrest and rescue system

EN360 - EN1496

Automatic fall arrester (**EN360**) with rope (galvanised or stainless steel), with integrated winch (**EN1496**).

Can be easily integrated on the Davimast, without tools.

Anchor point with a maximum capacity of 2 operators of 150 kg each.

- Integrate winch : Automatic fall protection device with integrated winch for ascending or descending during a possible rescue operation.
- Shock-absorption system ESD : is also a fall indicator, eliminating the risk of using the device after a fall. It ensures that the user will not be subjected to an impact of more than 600 daN even if the fall occurs when the cable is fully unwound.
- The Blocfor cable is guided by equipped pulleys with an anti-jump cable fixed on the head of davimast.

Technical characteristics:

- Anchor point with a maximum capacity of 2 operators of 150 kg.
- Bracket equipped with Blocfor R (automatic fall arrester with rescue winch 20m or 30m length)
- Bracket equipped of 1 PPE anchor point 150kg (allows person staying on surface to be secured)
- Lightweight, easy storage, transport and set-up
- No tools required for assembly
- Same bases than davitrac (except self-stabilizing base)

Standards:

- EN 795-A : 2012 (bracket + base anchor point)
- CEN/TS 16415:2013-B (bracket + base multiuser).
- EN 1496 / EN 360 (Blocfor R)

Model	Weight (kg)	Product Code	Price
Davimast - mast	9.7	210188	€865.00
Blocfor 20R Evo galva ESD with bracket for Davimast - 150kg range	21.5	84362	€2,476.00
Blocfor 20R Evo inox with bracket for Davimast - 150kg range	21.3	84372	€2,686.00

Davimast with Carol TS 250 winch for lifting material

Machine directive 2006/42/CE - EN795-A - CEN/TS 16415

Carol winch 150kg also meets the requirements of hoisting winches with a maximum load of 250 kg (**Directive 2006/42/CE**).

Can be easily integrated on the davimast, without tools.

Allows to secure an operator up to 150 kg, equipped with his tools. Can also be used for lifting materials with a capacity of 250kg.

- Available cable lengths of 20m and 30m
- The winch cable is guided by equipped pulleys with an anti-jump cable fixed on

the head of the davimast

Technical characteristics:

- Bracket equipped with Carol winch TS250: WLL 250kg / 20 m or 30 m length
- Bracket equipped of 1 PPE anchor point 150 kg
- Lightweight, easy storage, transport and set-up
- No tools required for assembly
- Uses the same bases as the davitrac (except self-stabilizing base)

Model	Product Code	Price
Davimast - mast	210188	€865.00
CaRol TS 250kg with 20m of galvanized cable galva and bracket for davimast	293799	€2,136.00
CaRol TS 250kg with 30m of galvanized cable galva and bracket for davimast	293809	€3,780.00

NEW

Integrate this product using **BIM and 3D files**. Access downloads on the product page of our website.



Adapters

Model	Product Code	Price
Wall mounted adapter	210118	€703.00
Clearance mural adapter	210128	€722.00
Mounted floor adapter	210108	€592.00
Flush floor adapter	210138	€617.00
Mounted floor adapter Stainless steel	218008	€1,455.00
Clearance mural adapter Stainless steel	218018	€1,948.00
Protective cap for adapters	294129	€36.50



Flush floor adapter



Mounted floor adapter



Wall mounted adapter



Mural adapter



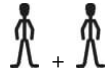
NEW

Integrate this product using **BIM and 3D files**. Access downloads on the product page of our website.



Tracrod 150 kg

EN795-A - CEN/TS16415 (2 users)



The Tracrod 150 kg anchoring rod is a movable anchor point that allows two users, each weighing up to 150 kg (user + harness + tools), to work safely.

The Tracrod 150 kg anchoring rod is intended for persons who need to access structures such as storage silos, sewers, etc. via manholes.

For use, the anchor rod is inserted into a stainless steel mounting bracket, which is permanently fixed in a shaft. By placing the mounting bracket in the shaft, there are no permanent obstacles around the manhole when the anchoring rod is not in use. Ideal for locations such as sewer entrances in public roads, for example.

The Tracrod anchoring rod can be set up and removed within seconds without tools (when the mounting bracket is already installed).

Due to its compact size and light weight, it can be transported in small vehicles and is easy to use.

The head of the Tracrod 150 kg anchoring bar is equipped with 2 anchoring points, located at approximately 1.5 m above ground level. This height allows the user to work with a fall factor of 0 or 1.

The stainless steel mounting bracket itself also complies with EN795-A:2012 and can therefore be used, without using the Tracrod anchoring rod, to secure a person. As an option, it can be equipped with a bracket to support a Blocfor 20R or 30R.

- Rod is made of aluminum
- Mounting bracket made of stainless steel 316L
- Weight: 5.5 kg (without accessories)
- Overall length 1.76m
- Complies with the EN 795-A:2012 standard
- Complies with the CEN/TS 16415:2017 standard

Model	Product Code	Price
Tracrod 150 kg anchor rod	207128	€742.00
Support mount	207118	€193.00

Tracrod interfaces

The stainless steel mounting bracket is essential to use the Tracrod system. There is a wide variation in shapes and material of the shafts. Because of this variation, multiple mounting options are necessary.

Tractel offers 3 different solutions to install the Tracrod base in a shaft.

- Direct (the stainless steel mounting bracket is attached directly to the structure).
- With a horizontal interface for light structures for in square shafts built in a material with low resistance, such as bricks
- With a vertical interface for light construction can be used in round and square shafts made of material with low resistance, such as brick

In case the installation of the interface and stainless steel mounting bracket can be permanently installed on the outside of a structure, Tractel offers the following interface:

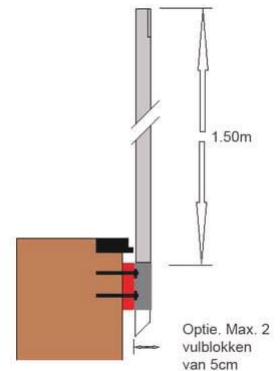
The surface-mounted interface installed on a horizontal structure

In some cases, the opening of the manhole is not perfectly aligned with the shaft below it. To optimize the position of the Tracrod, this opening must be filled. For all installation options, 1 or 2 plastic padding blocks (thickness 50mm) can be included to optimize the position of the Tracrod.



NEW

Integrate this product using **BIM and 3D files**. Access downloads on the product page of our website.



Model	Product Code	Price
Securing plate	207368	€221.00
Universal low density structure base (to suit curved or straight structure)	210588	€269.00
Chair base tracrod	210598	€305.00
5 cm thick spacer block	207358	€121.00
10 cm thick spacer block	218118	€200.00
Handle bar	86642	€618.00

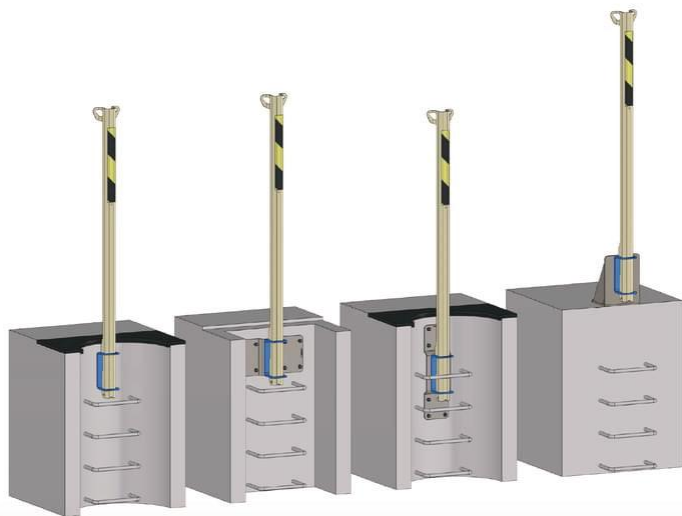


Image 1 : Support mount (207118)

Image 2 : Securing plate (207368)

Image 3 : Universal low density structure base (round or square look) (210588)

Image 4 : Chair base (210598)

Order products on day 1, will be shipped no later than day 2

Order products on day 1, will be shipped no later than day 3. Maximum quantities apply for this service.

Available on request. Please enquire about delivery times of these items.

NEW

Integrate this product using **BIM and 3D files**. Access downloads on the product page of our website.



Order products on day 1, will be shipped no later than day 2



Order products on day 1, will be shipped no later than day 3. Maximum quantities apply for this service.



Available on request. Please enquire about delivery times of these items.

Blocfor 20R Evo / 30R with bracket for Tracrod

EN360 - EN1496 - CNB/P/11.062

Automatic fall arrester (**EN360**) with rope (galvanised or stainless steel), with integrated winch (**EN1496**).

Can be easily integrated on the Tracrod, without tools.

Allows to secure an operator up to 150 kg, equipped with his tools.

- Integrated winch : Automatic fall protection device with integrated winch for ascending or descending during a possible rescue operation.
- Shock-absorption system ESD : is also a fall indicator, eliminating the risk of using the device after a fall. It ensures that the user will not be subjected to an impact of more than 600 daN even if the fall occurs when the cable is fully unwound.
- The Blocfor cable is guided by equipped pulleys with an anti-jump cable fixed on the head of Tracrod.

Model	Weight (kg)	Product Code	Price
Bracket + Blocfor 20R Evo ESD Galva 150 kg	16.5	81492	€2,102.00
Bracket + Blocfor 20R Evo ESD stainless steel 150 kg	16.5	84412	€2,310.00
Bracket + Blocfor 30R ESD Galva 150 kg	24.5	81502	€2,849.00
Bracket + Blocfor 30R ESD stainless steel 150 kg	24.5	84422	€3,108.00
Blocfor bracket	-	207108	€616.00

Tracpode tripod

EN795-B - Machine directive 2006/42/CE



Tracpode 150 kg is a temporary anchor point.



It is tested to stop the fall of two operators weighing 150 kg each; including the weight of their equipment and tools. It allows two users to work safely.

It may also be used as an anchor point for lifting with the ability to lift a maximum load of 500 kg. It can be folded up and it is small enough to be transported in light "site vehicles". It is easy to handle. The Tracpode 150 kg is intended for persons who need to access confined spaces such as storage silos, sewers, etc.

Tracpode - standard model

- Adjustable to 1.53m - 1.72m - 1.91m - 2.10m - 2.29m - 2.48m (max height)
- Width (depending on the chosen height) : 1.20m - 1.33m - 1.46m - 1.59m - 1.72m - 1.85m

Model	Weight (kg)	Product Code	Price
Tracpode	23	273739	€1,520.00
Tracpode + PPE pulley kit	24,38	273749	€1,650.00
Tracpode + 2 PPE pulley kits	25,76	273769	€1,690.00
Tracpode + 1 PPE pulley kit + 1 lifting pulley kit	25,76	273779	€1,860.00
Tracpode + 2 PPE + 1 lifting pulley kits	27,14	273789	€2,000.00
PPE pulley kit	1,38	196968	€160.00
Lifting pulley kit	1,38	196958	€160.00



Integrate this product using **BIM and 3D files**. Access downloads on the product page of our website.



Tracpode - short model

- Adjustable to 1.28m - 1.47m - 1.66m - 1.85m - 2.04m - 2.23m (max height)
- Width (depending on the chosen height) : 1.01m - 1.15m - 1.28m - 1.41m - 1.54m - 1.67m

Model	Weight (kg)	Product Code	Price
Tracpode - short model	21,4	278039	€1,300.00
Tracpode + PPE pulley kit	22,78	278049	€1,490.00
Tracpode + 2 PPE pulley kits	24,16	278059	€1,630.00
Tracpode + 1 PPE pulley kit + 1 lifting pulley kit	24,16	293999	POA



Tracpode

Accessories: safety & rescue



Blocfor with bracket for Tracpode

EN360 - EN1496 - CNB/P/11.062

Automatic fall arrester (**EN360**) with rope (galvanised or stainless steel), with integrated winch (**EN1496**).

Can be easily integrated on the Tracpode, without tools.

Allows to secure an operator up to 150 kg, equipped with his tools.

- Integrated winch : Automatic fall protection device with integrated winch for ascending or descending during a possible rescue operation.
- Shock-absorption system ESD : is also a fall indicator, eliminating the risk of using the device after a fall. It ensures that the user will not be subjected to an impact of more than 600 daN even if the fall occurs when the cable is fully unwound.
- The Blocfor cable is guided by equipped pulleys with an anti-jump cable fixed on the head of tracpode.

Model	Weight (kg)	Product Code	Price
Blocfor 30R - galvanised - 150kg range - without bracket	14.3	18109	€705.00
Blocfor 30R I - stainless steel - 100kg range - without bracket	14.3	42972	€2,413.00
Blocfor leg bracket	3	200368	€162.00



Carol R with bracket for Tracpode

EN1496 - CNB/P/11.062 - 2006/42/CE

Rescue winch compliant with **EN 1496**, with a maximum load of 150 kg.

Carol R winch 150kg also meets the requirements of hoisting winches with a maximum load of 250 kg (**Directive 2006/42/CE**).

Can be easily integrated on the tracpode, without tools.

Allows to secure an operator up to 150 kg, equipped with his tools. Can also be used for lifting materials with a capacity of 250kg.

- Rescue winch.
- Lifting material winch.
- 250 kg capacity for materials handling
- 5 mm galvanised \varnothing cable length available in 20 m and 30 m.
- Rotation-resistant wire rope
- Can be used for work in suspension, if you use a second safety fall arrest conforming to EN 360
- The winch cable is guided by equipped pulleys with an anti-jump cable fixed on the head of tracpode.

This product comes equipped with [Tracinfo](#), an online service that simplifies the way you access product documentation. With [Tracinfo](#), you can get instant access to manuals, certificates, and more with just a few clicks.

Model	Product Code	Price
Carol 20 + leg bracket + 20m cable	280589	€1,177.00
Carol 30 + leg bracket + 30m cable	280599	€2,318.00
Carol leg bracket	200378	€210.00



Tracpode

Accessories: safety & rescue

Derope with bracket for Tracpode

EN341 - EN1496

Derope is a descent device (**EN341**) with recovery winch (**EN 1496**).

The Derope descent device is a controlled speed descent evacuation system.

Can be easily integrated on the tracpode, without tools. Thanks to its conception, it permits the installation of very long cables of more than 30m.

It can be used to evacuate either one person (up to 150 kg) at heights of up to 400 meters or 2 persons (up to 225 kg) at heights of up to 200 meters, if the operator is equipped with a fall arrester.

- The braided rope is guided by pulleys equipped with an anti-jump cable fixed on the head of Tracpode



Model	Product Code	Price
Derope with bracket for tracpode	87498	€1,688.00
Derope UPR with bracket for tracpode	194199	€2,481.00
Rope (1m)	50962	€4.00

Drill attachment

The UP range is equipped with a drill attachment for use with a battery operated drill of 14 V, 300 W.

The Derope UP descender can be used with a battery powered drill, opening up many more applications for the product.

- The drill attachment enables the fast lifting of a person over a great height in a rescue operation or vertical displacement. It is recommended for companies that work in silos, tanker vats, drains, etc.
- The Derope UP descender can be used to move rope access technicians and raise them, effortlessly, to a greater height. It is ideal for window cleaners, bill stickers and aerial installers.



Tracpode

Accessories: safety & rescue



Scafor with bracket for Tracpode

EN 1496 - 2006/42/CE

Rescue winch compliant with **EN 1496**, with a maximum load of 150 kg.

Scafor also meets the requirements of hoisting winches with a maximum load of 250 kg (**Directive 2006/42/CE**).

Can be easily integrated on the leg of Tracpode, without tools.

Allows to secure an operator up to 150 kg, equipped with his tools. Can also be used for lifting materials with a capacity of 250kg. Thanks to its pass-through cable winch technology, it permits the installation of very long cables of more than 30m.

- The Scafor cable is guided by equipped pulleys with an anti-jump cable fixed on the head of the Tracpode.

Model	Product Code	Price
Scafor 250kg without cable - with bracket for tracpode	251079	€2,553.00
Galvanized wire rope - Ø 6, 5mm - 20m - equipped with M47 - for Scafor	245899	€159.00
Galvanized wire rope - Ø 6, 5mm - 30m - equipped with M47 - for Scafor	245909	€199.00
Galvanized wire rope - Ø 6, 5mm - 40m - equipped with M47 - for Scafor	245919	€275.00
Galvanized wire rope - Ø 6, 5mm - 50m - equipped with M47 - for Scafor	245929	€331.00
Galvanized wire rope - Ø 6, 5mm - 60m - equipped with M47 - for Scafor	286929	€364.00
Galvanized wire rope - Ø 6, 5mm - 70m - equipped with M47 - for Scafor	286939	€407.00



Tracpode Pro

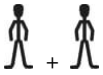
EN795-B - Machinery directive 2006/42/CE

The Tracpode Pro tripod is a perfectly portable and easy to set up temporary anchor point, It combines anchoring and lifting functions.

Being telescopic, it easily adapts to different environments to set the right height.

This aluminium tripod can be easily transported and used. Thanks to its small size, it can be easily transported in small construction site vehicles and is lightweight and easy to use.

This device provides a working height of 1 620 mm and guarantees a reliable anchor point for simultaneous access for up to 2 people in confined work areas. For all delicate interventions in confined spaces, such as storage silos and sewers, the Tracpode Pro tripod allows you to work without risk of falling.



It has been tested to stop the fall of two users weighing 150 kg each, including the weight of their equipment and tools. Two users can work safely.

It can also be used as an anchor point for lifting with the ability to lift a maximum load of 250 kg.

The head of the Tracpode Pro is equipped with 3 anchoring points.

Two PPE anchorages, each for 150 kg, and one anchorage designed for lifting loads weighing 250 kg.

One leg is designed to support a Tractel winch of 150 kg (material lifting) or a Tractel Blocfor R fall arrester of 150 kg.

Technical characteristics:

- Composition: Aluminium
- Height min. feet folded: 1 200 mm
- Working position height: 1 520 to 1 620 mm
- Diameter determined by the 3 legs: Ø 1 230 to 1 310 mm
- Weight: 11.90 kg
- Quick and easy attachment of accessories to the outside of the tripod, without tools



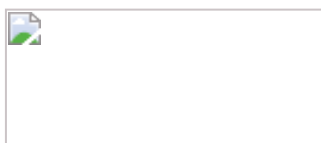
Model	Weight (kg)	Product Code	Price
Tracpode Pro - tripod	11.90	299049	POA
PPE pulley	0.75	218408	€70.00
Lifting pulley	0.75	218418	€70.00

Model	Product Code	Price
Transport bag	68752	€133.00



Tracpode Pro

Accessories: Safety & Rescue



Blocfor 20 R Evo ESD G



Blocfor bracket



Blocfor R EVO ESD 150 kg

EN360 + EN1496

The Blocfor 20 R EVO ESD 150 kg functions like a standard retractable fall arrester to stop the fall of an operator. It also features an integrated rescue winch system that can be easily activated after a fall to rapidly evacuate a person upwards or downwards in case of a rescue operation.

Features:

- Handle-type anchorage capable of receiving large-diameter connectors.
- Automatic fall arrester with an **integrated winch** for ascending or descending during a potential rescue operation.
- Plastic housing casing made of a polyamide/ABS blend, UV-resistant, highly resistant to impact and aging.
- Equipped with an ESD energy absorber, traceability label and a fall indicator. That ensures that the user will not experience an impact of more than 600 daN even if the fall occurs when the cable or strap is fully extended.
- Allows horizontal use (for the version with galvanized cable).
- Blocfor 20 R EVO ESD I only suitable for vertical use.



Blocfor 20 R & 10 R EVO ESD G



Blocfor 20 R EVO ESD I

The associated mounting brackets allow for installation on Tracpode and Tracpode Pro tripods, Davitrac davits, Davimast masts, as well as the Tracrod anchorage for easy winch handling.

Model	Length (m)	Description	Weight (kg)	Product Code	Price
Blocfor 10 R EVO ESD G	10	Galvanised rope	11.2	87742	POA
Blocfor 20 R EVO ESD I	20	Stainless steel rope	12.2	87502	POA
Blocfor 20 R EVO ESD G	20	Galvanised rope	12.5	87492	POA
Bracket for Blocfor 10R/20R Evo	-	Steel	1.9	218428	€160.00
PPE pulley	-	Size : 200 x 100 x 50 mm	0.75	218408	€70.00



Tracpode Pro

Accessories : winches

Carol R Pro 12 winch

EN1496 B - 2006/42/CE

CaRol R PRO 12 winch is a rescue equipment compliant with EN 1496 class B with a maximum working load of 150 kg. It allows operators to be raised and lowered when working in a confined space.

It also meet the requirements of load lifting winches with a maximum working load of 150 kg. CaRol R PRO winches can also be used as work devices suspended on a rope if they are coupled with a fall arrest system complying with standard EN 363.

CaRol R PRO winches are delivered with their cable equipped.

They must be fixed on anchoring consoles for Tracpode Pro tripod.

Technical characteristics:

- Cable length: 12 m
- Cable diameter: 5 mm
- Weight: 5,3 kg

Model	Weight (kg)	Product Code	Price
Carol R Pro 12 winch	5.3 kg	218438	€290.00
Bracket for Carol R Pro 12	2.8 kg	218448	€125.00
PPE pulley	0.75	218408	€70.00
Lifting pulley	0.75 kg	218418	€70.00



Carol Duratech winch

The caRol Duratech range is designed for lifting loads. caRol Duratech winches are equipped with a wire rope, a swivel and a lifting hook in stainless steel.

caRol Duratech are designed to work in environments with low corrosive content, but where the cable is in contact with aggressive or corrosive substances and requires regular cleaning.

Model	Weight (kg)	Product Code	Price
CaRol Duratech 150	5.2 kg	218498	POA
Bracket for Carol R Pro 12	2.8 kg	218448	€125.00
Lifting pulley	0.75 kg	218418	€70.00



Tracpode Pro

Accessories : winches

NEW



caRol R Pro 20 winch

2006/42/CE - EN1496 A

CaRol R PRO 20 winch is a rescue equipment compliant with EN 1496 class B with a maximum working load of 150 kg. It allows operators to be raised and lowered when working in a confined space.

It also meet the requirements of load lifting winches with a maximum working load of 150 kg. CaRol R PRO winches can also be used as work devices suspended on a rope if they are coupled with a fall arrest system complying with standard EN 363.

CaRol R PRO winches are delivered with their cable equipped.
They must be fixed on anchoring consoles for Tracpode Pro tripod.

Technical characteristics:

- Cable length: 20 m
- Cable diameter: 5 mm
- Weight: 10,3 kg



Model	Weight (kg)	Product Code	Price
Carol R Pro 20 winch	10.3 kg	218458	€435.00
Bracket for Carol R Pro 20	3.8 kg	218468	€145.00
PPE pulley	0.75	218408	€70.00
Lifting pulley	0.75 kg	218418	€70.00



caRol R TS 150 winch

2006/42/CE - EN1496 A - EN13157

Rescue winch compliant with **EN 1496**, with a maximum load of 150 kg.

Carol R TS winch 150 kg also meets the requirements of hoisting winches with a maximum load of 150 kg (**Directive 2006/42/CE**).

Can be easily integrated on the leg of the Tracpode Pro, with a dedicated bracket.

Allows to secure an operator up to 150 kg, equipped with his tools. Can also be used for lifting materials with a capacity of 150 kg.

- Rescue winch.
- Lifting material winch.
- 150 kg capacity for materials handling
- 5 mm galvanised \varnothing cable length available in 20 m.
- Rotation-resistant wire rope
- Can be used for work in suspension, if you use a second safety fall arrest conforming to EN 360
- The winch cable is guided by equipped pulleys with an anti-jump cable fixed on the head of tracpode.

Model	Weight (kg)	Product Code	Price
Carol R TS winch	13.4 kg	299249	€885.00
Bracket for Carol R Pro 20	3.8 kg	218468	€145.00
PPE pulley	0.75	218408	€70.00
Lifting pulley	0.75 kg	218418	€70.00

FABA A12 system

Rail-mounted fall arresters for sewer access



The FABA A12 System has been on the market since 1995. It is a logical evolution of the FABA A11 System but a lighter and smaller version. The design of the safety rail and carriages is asymmetrical and guarantees that the carriages are always used in the right direction.

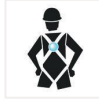
- Dimensions rail profile: 48 x 32 x 3 mm
- Material: Hot-dipped galvanised steel or stainless steel (1.4571)
- Design: Ladder with central upright or just rail
- Spacing in between stops: 40 mm
- Spacing in between rungs: 280 mm
- Rungs: Straight and welded on the back of the rail
- Width of the ladder: 380 mm
- Primary lengths: 5600 and 2800 mm
- Adjustment lengths: 560, 840, 1120, 1400, 1680, 1960, 2240, 2520, 3080, 3360, 3640, 3920, 4200, 4480, 4760, 5040 and 5320 mm
- Maximum distance between fixings: 1400 mm for the ladder and 1960 mm for the rail.



"Confined space" range

Harness HT55 Confined Space

EN 361



Comfort	<div style="width: 100%; height: 10px; background-color: #90EE90;"></div>
Frequency of use	<div style="width: 100%; height: 10px; background-color: #90EE90;"></div>
Integrated options	<div style="width: 100%; height: 10px; background-color: #90EE90;"></div>

The HT55 harness can be used for confined space. It is particularly suited for use with a respiratory system which slides easily onto the belt.

Enhanced comfort is ensured by the back XPad, the mountaineering-type thigh straps, and the linkage between the shoulder straps and thigh straps by connecting buckles.

The harness is very easy to slip on as it opens fully at the front with the X-Pad preserving the harness form.

- Universal and very comfortable harness, automatic with extra comfort for long periods of work
- 1 dorsal with a big forged D anchorage to eliminate the

risk of carabiner disconnection

- 1 sternal anchorage
- 1 special belt for respiratory system
- 1 comfort sub-pelvic strap
- Sliders for strap adjustment. Cannot be removed for security reasons
- 3 adjustment points
- Independent mountain leg strap High-comfort
- X-pad comfort back pad: Breathable and flexible - it gives the harness shape to make it easier to put on.
- Fall indicator in each anchorage
- Label holder

	S	M	XL	Price
HT55 A BS - Quick release buckles	83902	83912	83922	€210.00



Harness for rescue

Harness HT22R

EN361 - EN1497

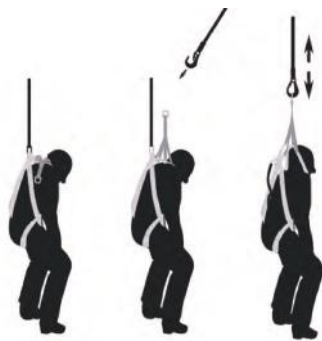


Universal harness with standard buckles and rescue straps.

The HT22R is a harness specifically designed to rescue an operator working in a confined space. It is equipped with an emergency strap attached to the shoulder straps. This strap allows the operator to be raised in a perfect vertical position which facilitates the exit of the body through the manhole.

- 1 dorsal anchor point.
- 1 sternal anchorage point in textile loop.
- 1 sub-pelvic strap.
- 5 adjustment loops.

	S	M	XL	Price
HT22R	44952	44962	44972	€80.00



HT9 Evacuation triangle

EN1497



Special harness for evacuation operations, easy to install, even with a person lying on the ground.

Due to its 3 adjustment settings, the HT9 can be used with both children and adults.

- EN 1497.

This product comes equipped with [Tracinfo](#), an online service that simplifies the way you access product documentation. With [Tracinfo](#), you can get instant access to manuals, certificates, and more with just a few clicks.



Model	Product Code	Price
HT9 Evacuation Harness	17622	€147.00

● Bestel producten op dag 1, worden uiterlijk op dag 2 verzonden.

● Bestel producten op dag 1, worden uiterlijk op dag 3 verzonden. Hiervoor gelden maximale hoeveelheden.

○ Op aanvraag verkrijgbaar. Informeer naar de levertijden van deze artikelen.

Tirope

Rescue winch



EN 1496 - EN1891/A - Machinery Directive 2006/42/CE

The Tirope winch is a compact traction and lifting device, very easy to set up and handle. It can be used to lift an operator for a rescue operation. It can also be used to lift equipment.

One of the rare solutions allowing you to tow a rope under tension very efficiently, specially designed to meet the needs and requirements of rescue professionals.

It is easy to use and simple to operate, enabling an operator to be evacuated or a load to be moved up in emergency situations where conventional lifting equipment is unavailable or unusable.

The operator moves the lever back and forth, two slides with a self-tightening jaw alternately block the braided rope to raise the load.

The Tirope is for 12.5 mm diameter Tractel Tirope braided rope with 50 m length and a maximum lifting capacity of 120 kg.

The braided rope is equal to steel in strength and use, the quality of grip and weight savings. It also offers excellent resistance to overheating, UV and abrasion.

Model	Weight (kg)	Length (m)	Size (Apparel)	Product Code	Price
Tirope winch	4.2		77 x 15 x 21	299029	€757.84
RLXD 12,5 10m-M15-A	1.317	10	Ø 300 x 100	87572	€100.49
RLXD 12,5 20m-M15-A	2.367	20	Ø 350 x 100	87582	€144.33
RLXD 12,5 40m-M15-A	4.467	40	Ø 350 x 200	87592	€227.24
RLXD 12,5 60m-M15-A	6.567	60	Ø 400 x 200	87602	€312.46

Different lengths available on request.

Model	Product Code	Price
Transport bag	100625	€158.00



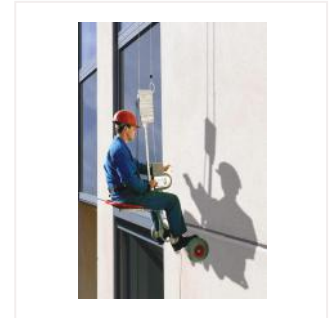
Subito, Evak

Subito

Manual one man seat.

- With its easy, efficient and safe operation, the subito was created specifically for working on façades (inspection, maintenance and cleaning).
- Designed for working at heights of up to 30 metres.
- When equipped with a scafor™ manual winch it is approved for lifting people.

Model	Product Code	Price
Subito	25429	€4,966.00
Support mount	28398	€234.00
10 m galvanised cable	53809	€231.00
20 m galvanised cable	53829	€280.00
30 m galvanised cable	53849	€335.00



Evak 500

Manual rope winch offering unlimited travel with a 500 kg capacity

- Specially designed for rescue operations
- Static braided rope of a diameter 12.5 mm

Model	Product Code	Price
Evak 500	23498	€1,462.00
Transport bag	100625	€158.00
Rope 12.5 mm, 20 m	46059	€179.00
Rope 12.5 mm, 40 m	46069	€330.00
Rope 12.5 mm, 60 m	46079	€471.00
Rope 12.5 mm, 80 m	46089	€622.00
Rope 12.5 mm, 100 m	46099	€774.00
Rope 12.5 mm, 200 m	46109	€1,688.00



Derope

The Derope descent system is an evacuation system with controlled descent speed. It can be used to evacuate one person (up to 150 kg) up to a height of 400 metres or 2 people (up to 225 kg) up to a height of 200 metres.

Both sides of the rope are equipped with a connector to connect a person and are suitable for descending with. The Derope allows multiple back and forth movements.



Derope STD

EN341

The Derope descent device is a controlled speed descent evacuation system. It can be used to evacuate either one person (up to 150 kg) at heights of up to 400 meters or 2 persons (up to 225 kg) at heights of up to 200 meters.

Standard Derope allows multiple descents, designed for downward evacuation. Descent only.

- Height 400m for max 150 kg
- Height 200m for max 225 kg

Model	Product Code	Price
Derope STD	279499	€1,145.00
Rope (1m)	50962	€5.00



Derope UPA

EN341 - EN1496

The derope descent device is a controlled speed descent evacuation system. It can be used to evacuate either one person (up to 150 kg) at heights of up to 400 meters or 2 persons (up to 225 kg) at heights of up to 200 meters.

The Derope UPA is equipped with a recovery winch

- Height 400m for max 150 kg
- Height 200m for max 225 kg

Model	Product Code	Price
Derope UPA	279509	€1,571.00
Rope (1m)	50962	€5.00



Derope

Evacuation system with controlled descent speed

Derope UPB

EN341 - EN1496

The Derope descent device is a controlled speed descent evacuation system. It can be used to evacuate either one person (up to 150 kg) at heights of up to 400 meters or 2 persons (up to 225 kg) at heights of up to 200 meters.

derope UP B with winch, equipped with a large mounting bracket for ladder.

The unit is mounted on two ladder treads. The mounting system must be secured by a lanyard.

- Height 400m for max 150 kg
- Height 200m for max 225 kg

Model	Product Code	Price
Derope UPB	279519	€1,555.00
Rope (1m)	18119	€1,080.00



Derope UPK

EN341 - EN1496

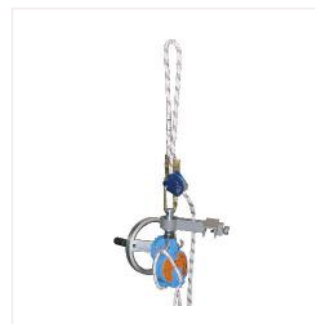
The Derope descent device is a controlled speed descent evacuation system. It can be used to evacuate either one person (up to 150 kg) at heights of up to 400 meters or 2 persons (up to 225 kg) at heights of up to 200 meters.

derope UP K with winch, equipped with a small mounting bracket for ladder.

The unit is mounted on a ladder tread.

- Height 400m for max 150 kg.
- Height 200m for max 225 kg

Model	Product Code	Price
Derope UPK	279529	€2,165.00
Rope (1m)	50962	€5.00



Drill attachment

The UP range is equipped with a drill attachment for use with a battery operated drill of 14 V, 300 W.

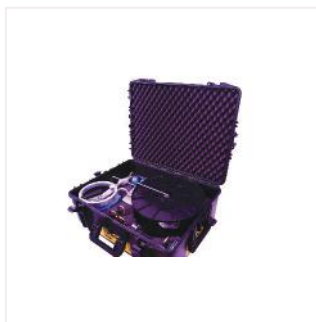
The Derope UP descender can be used with a battery powered drill, opening up many more applications for the product.

- The drill attachment enables the fast lifting of a person over a great height in a rescue operation or vertical displacement. It is recommended for companies that work in silos, tanker vats, drains, etc.
- The Derope UP descender can be used to move rope access technicians and raise them, effortlessly, to a greater height. It is ideal for window cleaners, bill stickers and aerial installers.



Derope evacuation kit

A complete set for evacuation at height



EN341 - EN1496

A complete kit for evacuation at heights.

Contents of the rescue kit:

- derope UP A for upwards and downwards evacuation
- 10.5 mm braided rope with a length of 85, 120 or 150 m and 3 M48 tri-lock karabiners
- 1 patented Tractel rope reel
- 1 braided rope protector
- 1 lanyard spreader device with connector to keep the rope from the structure
- 1 stopfor K to disconnect the fall arrest lanyard from the user
- 2 strap rings to connect the derope and the pulley onto the structure
- 1 pulley to position the braided rope in the optimal position during descent
- 4 M23 tri-lock connectors
- 1 waterproof box with shock absorbing foam

Advantages:

- Complete with derope UP A for fast and safe evacuation
- Complete equipment ready to use
- Strong and waterproof box
- Overpressure valve to protect against condensation
- Humidity indicator
- Humidity absorption bags
- Storage box seal lets you know if the kit has been opened
- If the seal is unbroken, the kit doesn't require inspection for 5 years

Specification:

- Dimensions (H x L x D): 225 mm x 200 mm x 165 mm
- Max load recovery: 150 kg (400 m) or 225 kg (200 m)
- Descent speed: 0.5 m/s - 2 m/s

Model	Product Code	Price
Derope rescue kit 85 m	222949	€2,830.00
Derope rescue kit 120 m	222959	€3,205.00
Derope rescue kit 150 m	222969	€3,331.00

Pulleys / Descent / Climbing

LSF jumar lanyard

EN354 - CNB/P/11.062

Double webbing lanyard, 30 mm-wide strap made of polyester, without shock absorber.

The LSF Jumarlanyard is used for connecting rope acces accessories such as an ascent handle and a foot loop to the ombilical attachment point on the harness.

Model	Product Code	Price
LSF - Jumar	65772	€103.00



Standard S pulley

EN12278

- Pulley diameter : 27 mm
- Braided rope diameter : 11 mm max
- Material : light alloy
- Overall dimensions : 98 mm
- Weight 75 g

Model	Product Code	Price
Standard S pulley fixed flanges	40162	€19.00



Standard S pulley opening flanges

EN12278

- Pulley diameter : 27 mm.
- Braided rope diameter : 11 mm max
- Material : steel
- Overall dimensions : 74 mm x 52 mm
- Weight : 165 g

Model	Product Code	Price
Standard S pulley opening flanges	40172	€23.00



Pulleys / Descent / Climbing

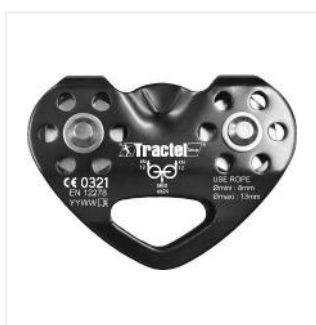


Standard M pulley opening flanges

EN12278

- Pulley diameter : 29 mm
- Braided rope diameter : 16 mm max
- Material : light alloy
- Overall dimensions : 110 mm x 82 mm
- Weight : 260 g

Model	Product Code	Price
Standard M pulley opening flanges	40102	€28.00



Double in-line pulley

EN12278

- Application : Tyrolienne (Rope bridge) evacuation.
- Pulley diameter : 25 mm
- Braided rope Ø 13 mm max.
- Overall dimensions : 113 mm x 86 mm
- Weight : 180 g

Model	Product Code	Price
Double in-line pulley	40092	€217.00



Double pulley opening flanges

EN12278

- Pulley diameter : 29 mm.
- Braided rope Ø 16 mm max
- Material : light alloy
- Overall dimensions : 110 mm
- Weight : 460 g.

Model	Product Code	Price
Double pulley opening flanges	40112	€33.50

Pulleys / Descent / Climbing

Mountain eight

- Manual descent device usable with 9 to 12 mm braided rope.
- Reliable and lightweight for rescue and quick evacuation.
- Weight : 75 g

Model	Product Code	Price
Mountain eight	20542	€23.50

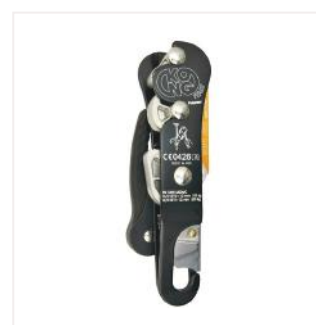


Double safety descent device

EN341 - EN12841-C

- Operates with diameter 9 to 12 mm braided rope.
- Fitted with a panic or emergency cut-out device system.
- Weight : 385 g.

Model	Product Code	Price
Double safety descent device	13572	€167.00



Ascent handle

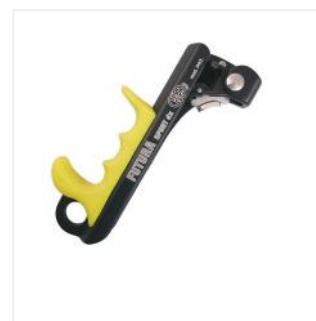
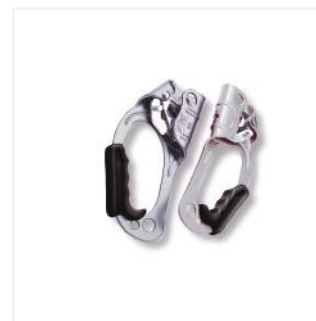
EN567

2 different kinds of handle, depending on your use. Both are compatible with kernmantel rope with a diameter between 8 and 12 mm.

A left and right traditional handles.

A compact handle fitting well in confined space applications.

Model	Product Code	Price
Right handle	20492	€127.00
Left handle	20502	€111.00
Ascent handled rope clamp	65742	€146.00



Pulleys / Descent / Climbing



Ascent foot clamp

For ascent during rope access operation.
Foot loop with adjustable strap.

Model	Product Code	Price
Ascender foot-loop	40122	€27.00



Anchor plate

EN795-B

- Operates with diameter 8 to 12 mm braided rope.
- Allows to remount on the cord in conjunction with right or left ascent handle.
- Weight : 106 g.

Model	Product Code	Price
Anchor plate	20512	€51.50



Sternal ascent rope clamp

EN567

Complies with EN 567 standard.

For rope climbing. Self-locking rope clamp for ropes with a diameter of 8 to 12 mm.
A dedicated version for use with the HT Access that can be installed by the user.

Model	Product Code	Price
Sternal ascent rope clamp	66112	€133.00
Sternal ascent rope clamp for HT Access	86552	€91.00



Rope protection

- Rope protection against sharp edges.
- Prevents fraying or cutting the rope
- Material : Aluminium

Model	Product Code	Price
Rope protection	72586	€174.00

Tools for tree surgeons

Anchor line for trees

EN354

Mobile anchor point for attaching the lanyard to a tree branch

Model	Product Code	Price
Anchor line for trees	40982	€55.00



Arborist braided rope

Tree surgeon lanyard fitted with a buckle at one end.

Model	Product Code	Price
Rope 20m	59512	€215.00
Rope 30m	59522	€251.00
Rope 40m	59532	€268.00
Rope 50m	69952	€349.00



Adjustable lanyard - LCM 03

EN358 - CNB/P/11.062

The work positioning lanyard LCM03 is a manually adjusted tensioner-reducer. This device works on a low-stretch rope with steel core diameter of 12.5 mm.

The LCM03 is compact and ergonomic and perfectly suited for work positioning.

The lanyard LCM03 is equipped with a compact, ergonomic jaw tensioning device. The device is made of high-strength aluminium. The jaw tensioning device LCM03 slides along the rope. In the event of a fall or loss of balance, the tensioner automatically locks.

The unit is supplied with rope with steel core diameter of 12.5 mm and length of 2m, 3m or 4m, equipped with a connector M10 on the tensioner and a connector M40 on the end of the rope

This lanyard is not a fall arrest.

Model	Length (m)	Product Code	Price
c - 2 m	2	85262	€231.00
LCM 03 - M41 M10T - 3 m	3	85272	€246.50
LCM 03 - M41 M10T - 4 m	4	85282	€262.00
LCM 03 - M42 M10T - 2 m	2	85292	€244.00
LCM 03 - M42 M10T - 3 m	3	85302	€260.00
LCM 03 - M42 M10T - 4 m	4	85312	€276.00
Sleeve	-	18192	€23.00



Tools for tree surgeons



Prusik knot

Self-locking knot enabling the tree surgeon to move along the arborist rope.

- length 0.6m

Model	Product Code	Price
Prusik knot	40992	€23.00



Throw bag

Bag for throwing the arborist rope over a branch to create an anchor point. 250 g

Model	Product Code	Price
Throw bag 250g	53842	€13.50
Throw bag 350g	59332	€16.50



50m rope throw line

For using with the throw bag.

Model	Product Code	Price
Rope (for saddle bag)	51922	€25.00



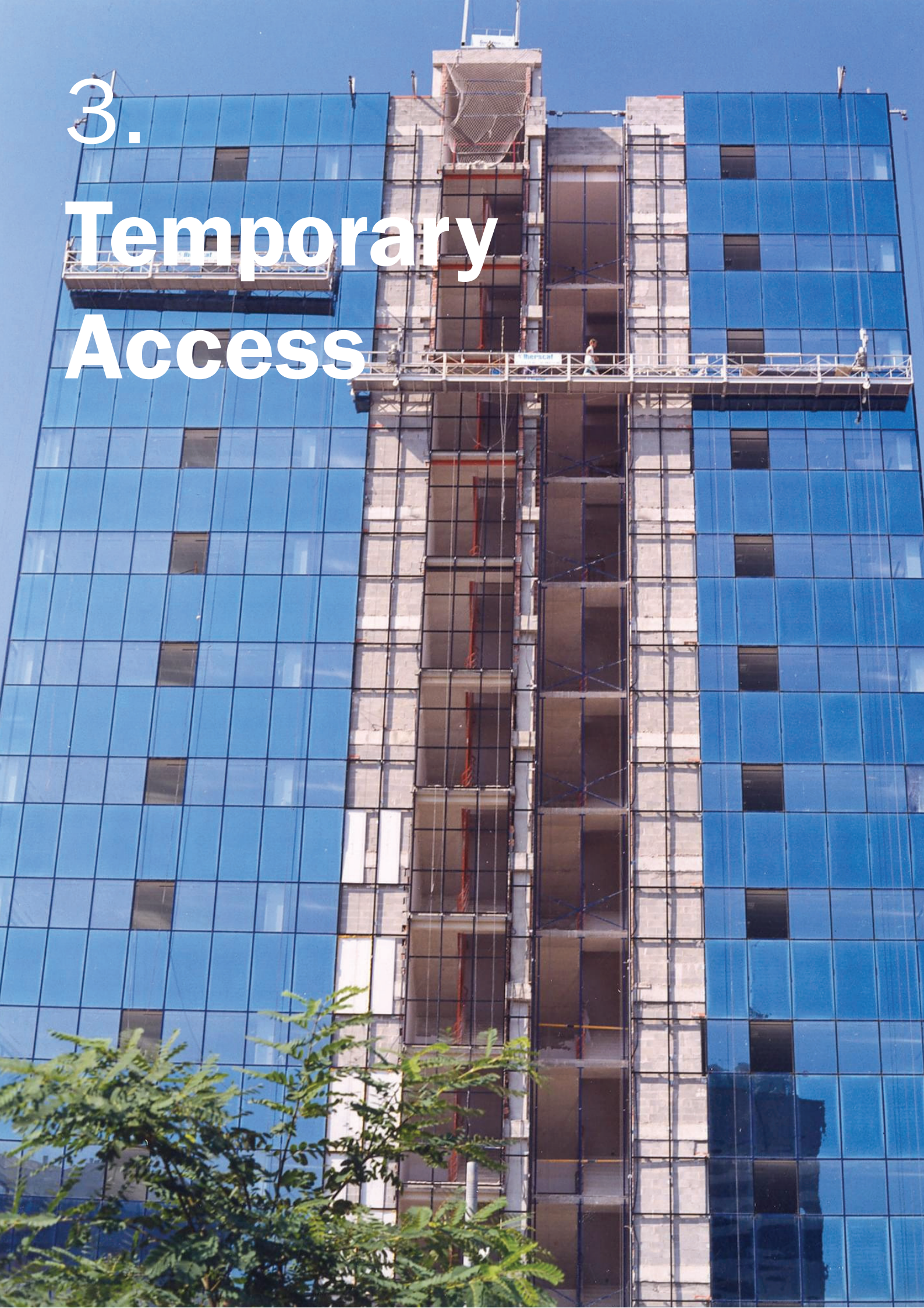
Bestel producten op dag 1, worden uiterlijk op dag 2 verzonden.

Bestel producten op dag 1, worden uiterlijk op dag 3 verzonden. Hiervoor gelden maximale hoeveelheden.

Op aanvraag verkrijgbaar. Informeer naar de levertijden van deze artikelen.

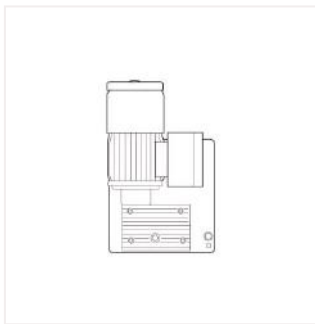
3.

Temporary Access





Manriding Tirak



Wherever you need to transport people, the highest safety standards are regulated by law. Certified by an independent notified body in accordance with EN1808, the Tirak meets all these requirements and forms the heart of many access systems.

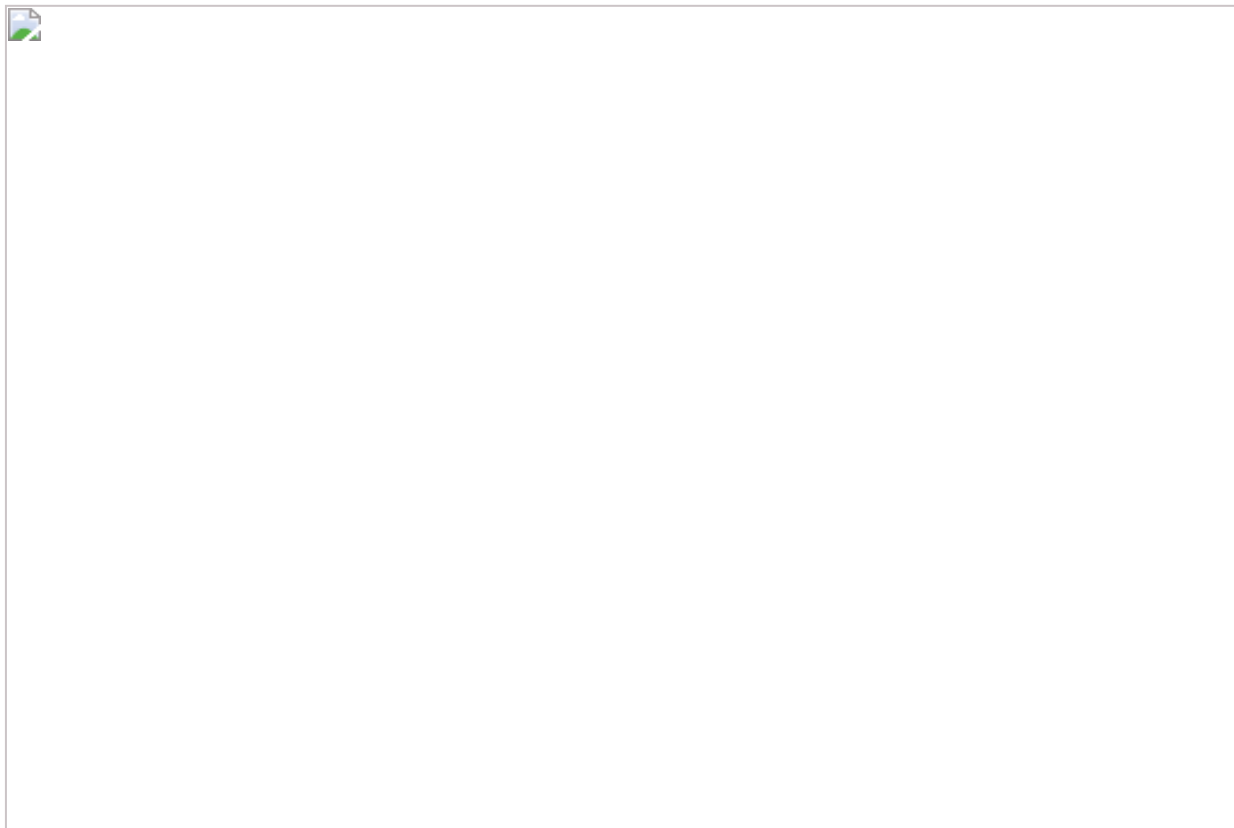
Advantages of the Tirak hoist:

- Universal use and ideally wherever systems with persons have to be lifted
- Compact dimensions and low weight make simple handling possible and simplify the integration of the Tirak into your own applications to increase productivity and efficiency.
- The low weight of the Tirak enables a higher payload of the system.

A complete range of Tirak models offers payloads from less than 300kg up to 2000kg for Manriding applications.



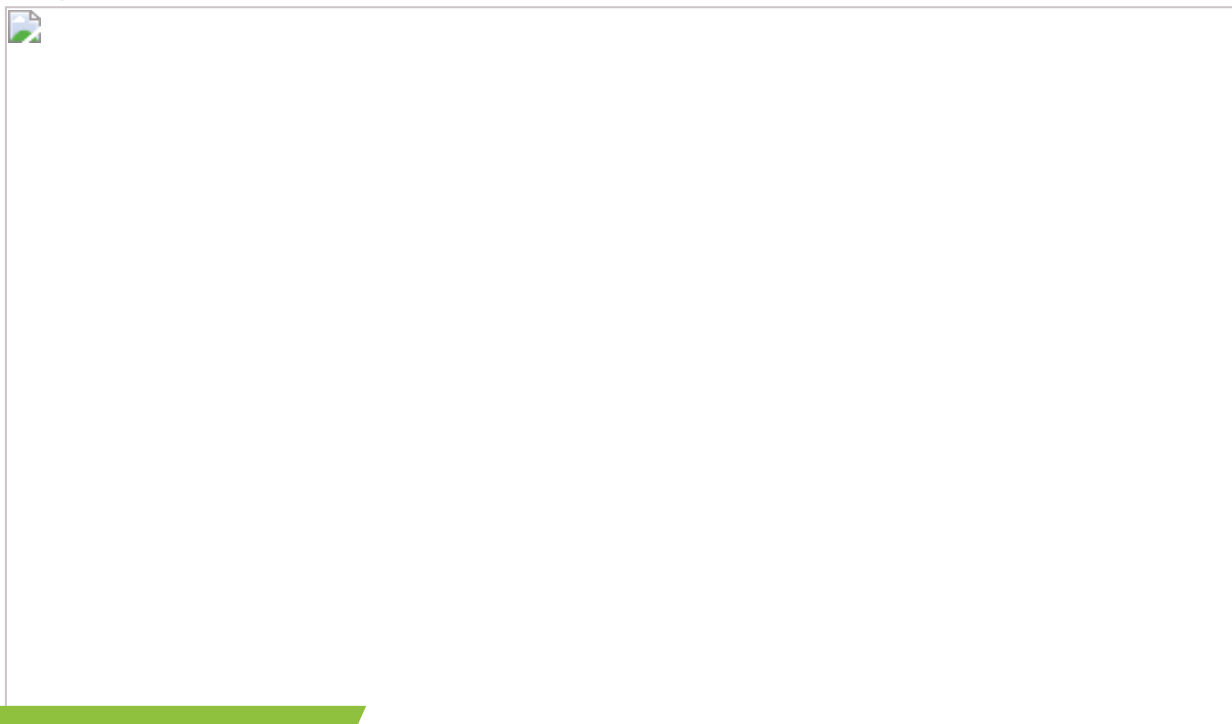
Tirak application & codes



TYPE CODING STRUCTURE, INFINITE POSSIBILITIES

CUSTOMISATION

- Each Tirak is assembled and produced in accordance with customer requirements. We will be happy to advise and support you while assembling the optimal Tirak for your application.
- Type coding structure



Tirak manriding hoist with pendant control

WLL 300kg

Model	Wire Rope Diameter (mm)	Forward Speed (m/min)	Voltage (V)	Frequency (Hz)	Current (A)	Weight (kg)	Description	Product Code	Price
X300P	8	9	400	50	2	28	hard-wired pendant control	290899	€9,139.00
X300P	8	9	400	50	2	28	pluggable pendant control	290909	€10,172.00
X301P	8	9	230	50	5	29	hard wired pendant control	290919	€10,019.00
X301P	8	9	230	50	5	29	pluggable pendant control	290929	€10,578.00
X302P	8	18	400	50	3,0	28	hard wired pendant control	290939	€10,185.00
X302P	8	18	400	50	3,0	28	pluggable pendant control	290949	€10,341.00

WLL 400kg

Model	Wire Rope Diameter (mm)	Forward Speed (m/min)	Voltage (V)	Frequency (Hz)	Current (A)	Weight (kg)	Description	Product Code	Price
X400P	8	9	400	50	2,5	29	hard wired pendant control	290959	€9,136.00
X400P	8	9	400	50	2,5	29	pluggable pendant control	290969	€10,167.00
X401P	8	9	230	50	6,1	38	hard wired pendant control	290979	€9,686.00
X401P	8	9	230	50	6,1	38	pluggable pendant control	290989	€10,858.00
X402P	8	18	400	50	3,8	32	hard wired pendant control	290999	€8,914.00
X402P	8	18	400	50	3,8	32	pluggable pendant control	291009	€10,468.00
X403P	8	9/18	400	50	2,2/4,5	37	hard wired pendant control	291019	€10,291.00
X403P	8	9/18	400	50	2,2/4,5	37	pluggable pendant control	291029	€10,415.00

WLL 500kg (see next page for remainder)

Model	Wire Rope Diameter (mm)	Forward Speed (m/min)	Voltage (V)	Frequency (Hz)	Current (A)	Weight (kg)	Description	Product Code	Price
L500P	8	9	400	50	2,5	29	hard wired pendant control	291039	€10,515.00
L500P	8	9	400	50	2,5	29	pluggable pendant control	291049	€10,669.00
X500P	8	9	400	50	3,1	41	hard wired pendant control	291059	€9,993.00
X500P	8	9	400	50	3,1	41	pluggable pendant control	291069	€11,261.00
X501P	8	9	230	50	7,6	49	hard wired pendant control	291079	€11,101.00
X501P	8	9	230	50	7,6	49	pluggable pendant control	291089	€12,286.00

For Tirak accessories please see page 332

Additional information:

- Complete machine delivered with a CE declaration,
- Delivered with 1m power supply cable,
- Ultimate upper limit switch and upper limit switch (redundancy as per EN1808:2015) built on tirak and hard wired
- CE Logo on type label

Tirak manriding hoist with pendant control

WLL 500kg (see previous page for remainder)

Model	Wire Rope Diameter (mm)	Forward Speed (m/min)	Voltage (V)	Frequency (Hz)	Current (A)	Weight (kg)	Description	Product Code	Price
X502P	8	18	400	50	5,5	44	hard wired pendant control	291099	€11,477.00
X502P	8	18	400	50	5,5	44	pluggable pendant control	291109	€11,632.00
X503P	8	9/18	400	50	3,7/6,6	51	hard wired pendant control	291119	€10,798.00
X503P	8	9/18	400	50	3,7/6,6	51	pluggable pendant control	291129	€11,850.00

WLL 600kg

Model	Wire Rope Diameter (mm)	Forward Speed (m/min)	Voltage (V)	Frequency (Hz)	Current (A)	Weight (kg)	Description	Product Code	Price
X600P	8	9	400	50	4,3	53	hard wired pendant control	291139	€11,422.00
X600P	8	9	400	50	4,3	53	pluggable pendant control	291149	€11,463.00
X601P	8	9	230	50	10	58	hard wired pendant control	291159	€12,517.00
X601P	8	9	230	50	10	58	pluggable pendant control	291169	€12,670.00
X602P	8	18	400	50	4,8	57	hard wired pendant control	291179	€11,546.00
X602P	8	18	400	50	4,8	57	pluggable pendant control	291189	€11,700.00
X603P	8	9/18	400	50	4,5/8,7	66	hard wired pendant control	291199	€12,715.00
X603P	8	9/18	400	50	4,5/8,7	66	pluggable pendant control	291209	€12,838.00
X620P	9	9	400	50	4,3	53	hard wired pendant control	291219	€11,444.00
X620P	9	9	400	50	4,3	53	pluggable pendant control	291229	€11,598.00
X621P	9	9	230	50	10	58	hard wired pendant control	291239	€12,538.00
X621P	9	9	230	50	10	58	pluggable pendant control	291249	€12,691.00
X622P	9	18	400	50	4,8	57	hard wired pendant control	291259	€11,571.00
X622P	9	18	400	50	4,8	57	pluggable pendant control	291269	€11,724.00
X623P	9	9/18	400	50	4,5/8,7	66	hard wired pendant control	291279	€12,736.00
X623P	9	9/18	400	50	4,5/8,7	66	pluggable pendant control	291289	€12,859.00

For Tirak accessories please see page 332

Additional information

- Complete machine delivered with a CE declaration,
- Delivered with 1m power supply cable,
- Ultimate upper limit switch and upper limit switch (redundancy as per EN1808:2015) built on tirak and hard wired
- CE Logo on type label

Tirak manriding hoist with pendant control

WLL 800kg

Model	Wire Rope Diameter (mm)	Forward Speed (m/min)	Voltage (V)	Frequency (Hz)	Current (A)	Weight (kg)	Description	Product Code	Price
X820P	9	9	400	50	4,5	47	hard wired pendant control	291299	€11,472.00
X820P	9	9	400	50	4,5	47	pluggable pendant control	291309	€10,938.00
X823P	9	9/18	400	50	5,5/9,5	53	hard wired pendant control	291319	€12,731.00
X823P	9	9/18	400	50	5,5/9,5	53	pluggable pendant control	291329	€12,854.00

WLL 1000kg

Model	Wire Rope Diameter (mm)	Forward Speed (m/min)	Voltage (V)	Frequency (Hz)	Current (A)	Weight (kg)	Description	Product Code	Price
X1030P	10	9	400	50	5,6	47	hard wired pendant control	291339	€10,884.00
X1030P	10	9	400	50	5,6	47	pluggable pendant control	291349	€10,483.00
X1033P	10	9/18	400	50	5,4/10	58	hard wired pendant control	291359	€12,408.00
X1033P	10	9/18	400	50	5,4/10	58	pluggable pendant control	291369	€12,246.00

WLL 1150kg

Model	Wire Rope Diameter (mm)	Forward Speed (m/min)	Voltage (V)	Frequency (Hz)	Current (A)	Weight (kg)	Description	Product Code	Price
X1140P	11	9	400	50	5,6	47	hard-wired pendant control	295939	€11,886.00

WLL 2000kg

Model	Wire Rope Diameter (mm)	Forward Speed (m/min)	Voltage (V)	Frequency (Hz)	Current (A)	Weight (kg)	Description	Product Code	Price
X2050P	14	6	400	50	6	100	hard wired pendant control	291379	€17,995.00
X2050P	14	6	400	50	6	100	pluggable pendant control	291389	€18,003.00
X2052P	14	12	400	50	10,3	117	hard wired pendant control	291399	€19,759.00
X2052P	14	12	400	50	10,3	117	pluggable pendant control	291409	€20,167.00
X2058P	14	18	400	50	17	145	hard wired pendant control	291419	€22,131.00
X2058P	14	18	400	50	17	145	pluggable pendant control	291429	€22,049.00

For Tirak accessories please see page 332

Additional information:

- Complete machine delivered with a CE declaration,
- Delivered with 1m power supply cable,
- Ultimate upper limit switch and upper limit switch (redundancy as per EN1808:2015) built on tirak and hard wired
- CE Logo on type label

Tirak

with connection at central control box WLL 300kg

Model	Wire Rope Diameter (mm)	Forward Speed (m/min)	Voltage (V)	Frequency (Hz)	Current (A)	Weight (kg)	Product Code	Price
X300P	8	9	400	50	2	28	188189	€6,292.00
X301P	8	9	230	50	5,1	29	188139	€7,449.00
X302P	8	18	400	50	3	28	188199	€6,332.00

WLL 400kg

Model	Wire Rope Diameter (mm)	Forward Speed (m/min)	Voltage (V)	Frequency (Hz)	Current (A)	Weight (kg)	Product Code	Price
X400P	8	9	400	50	2,5	29	188259	€6,431.00
X401P	8	9	230	50	5,9	32	188329	€7,457.00
X402P	8	18	400	50	3,8	32	188279	€6,150.00
X403P	8	9/18	400	50	2,2/4,5	36	188299	POA

WLL 500kg

Model	Wire Rope Diameter (mm)	Forward Speed (m/min)	Voltage (V)	Frequency (Hz)	Current (A)	Weight (kg)	Product Code	Price
X500P	8	9	400	50	3	41	188379	€7,283.00
X501P	8	9	230	50	7,6	49	188439	€8,865.00
X502P	8	18	400	50	5,3	44	188389	€7,812.00
X503P	8	9/18	400	50	3,6/6,5	51	188419	€9,052.00
L500P	8	9	400	50	2,5	29	188349	POA

WLL 600kg

Model	Wire Rope Diameter (mm)	Forward Speed (m/min)	Voltage (V)	Frequency (Hz)	Current (A)	Weight (kg)	Product Code	Price
X620P	9	9	400	50	4,3	43	259709	POA
X621P	9	9	230	50	10	51	259719	POA
X622P	9	18	400	50	5	47	259729	POA
X623P	9	9/18	400	50	4,5/8,7	53	259739	POA

For Tirak accessories please see page 332

Additional information:

- Incomplete machine delivered with a Declaration of incorporation to be integrated in a complete system,
- Delivered with 1m power supply cable,
- No plugs available for path limitation switches, to be installed & hard wired on site,
- No CE logo on the type label.

Tirak

with connection at central control box WLL 800kg

Model	Wire Rope Diameter (mm)	Forward Speed (m/min)	Voltage (V)	Frequency (Hz)	Current (A)	Weight (kg)	Product Code	Price
X820P	9	9	400	50	4,5	47	188509	€8,128.00
X823P	9	9/18	400	50	5,3/9,3	53	188519	€9,314.00

WLL 1000kg

Model	Wire Rope Diameter (mm)	Forward Speed (m/min)	Voltage (V)	Frequency (Hz)	Current (A)	Weight (kg)	Product Code	Price
X1030P	10	9	400	50	5,3	47	188549	€7,355.00
X1033P	10	9/18	400	50	5,5/9,8	58	217149	POA

WLL 2000kg

Model	Wire Rope Diameter (mm)	Forward Speed (m/min)	Voltage (V)	Frequency (Hz)	Current (A)	Weight (kg)	Product Code	Price
X2050P	14	6	400	50	6,1	100	188569	€16,582.00
X2052P	14	12	400	50	10	117	188579	€16,474.00

For Tirak accessories please see page 332

Additional information:

- Incomplete machine delivered with a Declaration of incorporation to be integrated in a complete system,
- Delivered with 1m power supply cable,
- No plugs available for path limitation switches, to be installed & hard wired on site,
- No CE logo on the type label.



Accessories for Tirak manriding

Transport trolley for Tirak

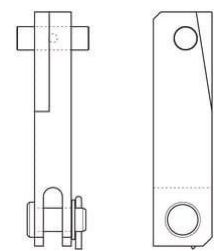
for Tirak series X500, X700, X800, X1000 & X1530

Model	Product Code	Price
transport trolley for Tirak	247329	€635.00

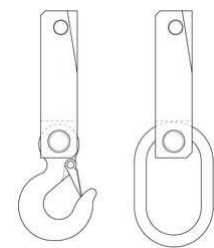


Suspension Adapters for Tirak Hoists

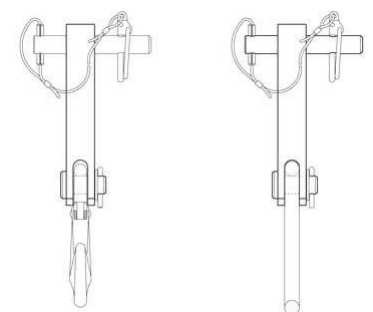
Model	Description	Product Code	Price
Type A	Suspension adapter for X500-X1530	48657	€109.00
Type B	Suspension adapter with hook. For X500-X1530	48727	€187.00
Type B	Suspension adapter with eye. For X500-X1530	48717	€118.60
Type C	Suspension adapter with removable hook. For X300/L500	180157	€154.00
Type C	Suspension adapter with removable eye. For X300/L500	180167	€142.40
Type C	Suspension adapter with removable hook. For X500-X1530	58527	€155.80
Type C	Suspension adapter with removable eye. For X500-X1530	58537	€144.00



Typ A



Typ B



Typ C

Tirak packaging

Model	Product Code	Price
wooden box for Tirak X300 / X400	26980	€117.00
wooden box for Tirak X500 / X800 / X1000	21450	€343.10
wooden box for Tirak T1000	21320	POA
wooden box for Tirak X1530	56010	POA
wooden box for Tirak X3000	56000	€347.00



Tirak accessoires

Maxiflex Wire Rope, Standard

The Maxiflex wire rope has been developed especially for optimal use guaranteed by Tractel, in combination with Tirak hoists, and can be used under the most extreme circumstances.

Upon request also available on a drum reel and in any required length.

- Developed especially for Tirak
- Supplied on a transport reel.
- Including certificate
- Standard version with tip and hook
- Hook with safety catch
- Also available on a drum reel (see image below) and available in any required length



Maxiflex wire rope is also available per metre. Ask our Customer Service for the possibilities.

Wire Rope Type	wire rope 8.3mm		wire rope 9.5mm		wire rope 10.2mm		wire rope 14.3mm	
genCode	46129		17389		352040		34429	
productModelName	wire rope 8.3mm		wire rope 9.5mm		wire rope 10.2mm		wire rope 14.3mm	
Length	Code	Price	Code	Price	Code	Price	Code	Price
20	46129	€251.00	17389	€275.00	352040	€288.00	34429	€568.00
30	46139	€321.00	17409	€352.00	352050	€369.00	34439	€693.00
40	46149	€337.00	17429	€431.00	352000	€446.00	34449	€932.00
50	46159	€390.00	17449	€502.00	352060	€527.00	34459	€1,012.00
60	46169	€449.00	17469	€577.00	352070	€609.00	34469	€1,420.00
70	46179	€504.00	17489	€653.00	352080	€693.00	34479	€1,754.00
80	46189	€556.00	17509	€730.00	352090	€773.00	34489	€1,903.00
90	46199	€608.00	17529	€799.00	352100	€856.00	34499	€1,916.00
100	46209	€660.00	17549	€885.00	352110	€941.00	34509	€2,324.00

Maxiflex Non-Rotating Wire Rope

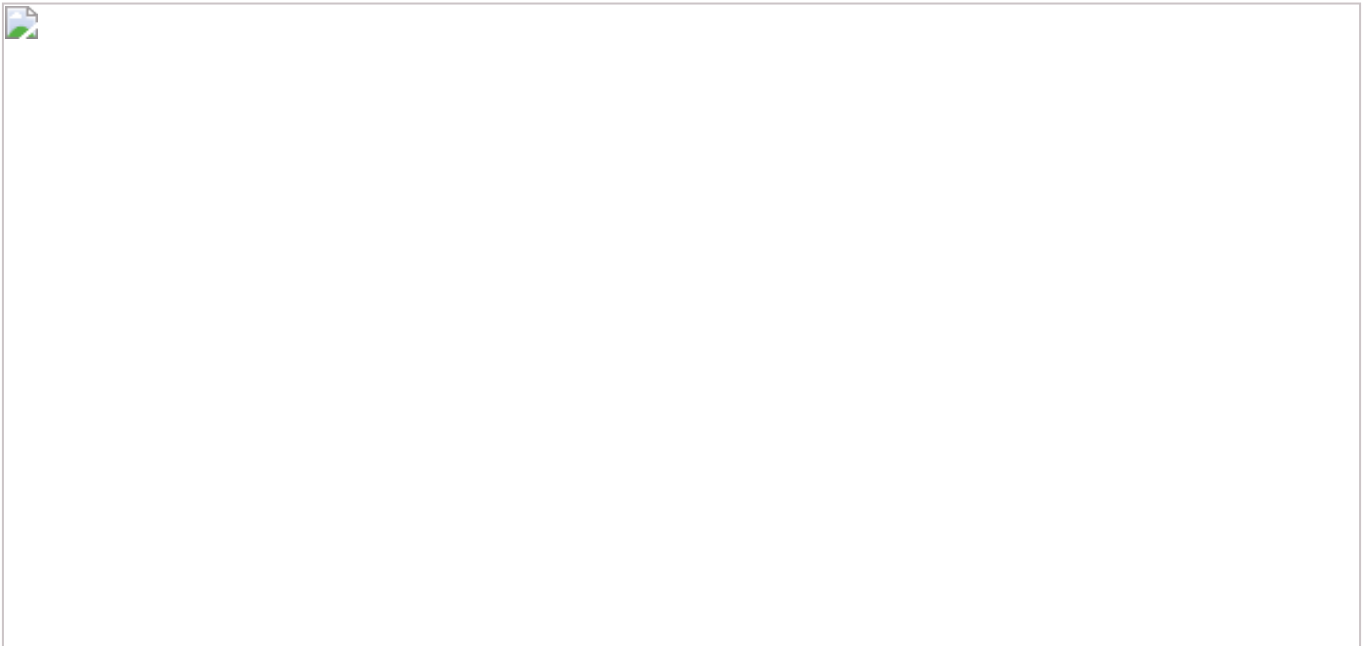
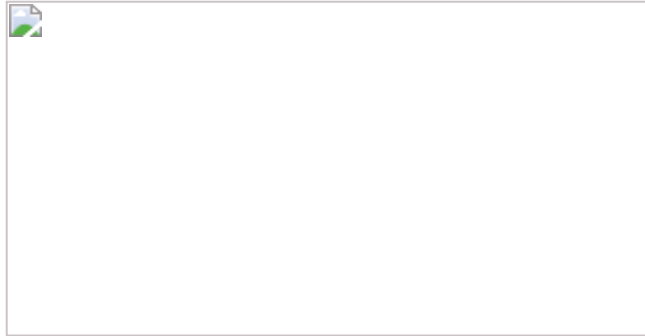
The Maxiflex non-rotating wire rope has been developed especially to prevent non-guided loads from rotating if they are suspended freely in the air. Upon request the non-rotating wire rope will be produced and manufactured especially for you. The Maxiflex wire rope is guaranteed by Tractel, in combination with Tirak hoists, and can be used under the most extreme circumstances.

- Non-rotating rope for non-guided loads
- Developed especially for Tirak
- Including certificate
- Available in any required length
- Standard version with tip and hook
- Hook with safety catch
- Also available on a drum reel and available in any required length

Model	Description	Price
Wire rope 8.3mm	Ordered per metre	POA
Wire rope 9.5mm	Ordered per metre	POA
Wire rope 10.2mm	Ordered per metre	POA
Wire rope 14.3mm	Ordered per metre	POA

Reels for Maxiflex wire rope

Model	Product Code	Price
reel No. 0 - small	889	€32.50
reel No. 1 - standard	909	€37.00
Reel No. 2 - medium	939	€52.00
reel No. 3 - double	899	€59.50
drum reel 200	878	€204.00
drum reel 300	868	€232.00
drum reel 400	858	€275.00



Order products on day 1, will be shipped no later than day 2



Order products on day 1, will be shipped no later than day 3. Maximum quantities apply for this service.



Available on request. Please enquire about delivery times of these items.

Manriding Tirfor

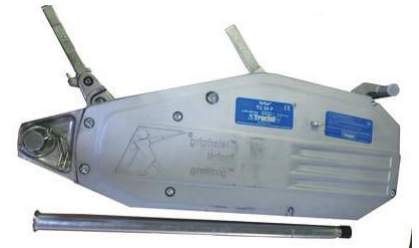
Tirfor TU P



Tirfor TU6 P



Tirfor TU12 P



Tirfor TU24 P

- Certified for man riding according to EN 1808
- Blocstop BSA on secondary safety rope
- Quick installation
- There is no limitation of rope length
- It is quickly installed in any location and can be used where there is no power supply
- Shear pin overload protection incorporated in the forward lever handle

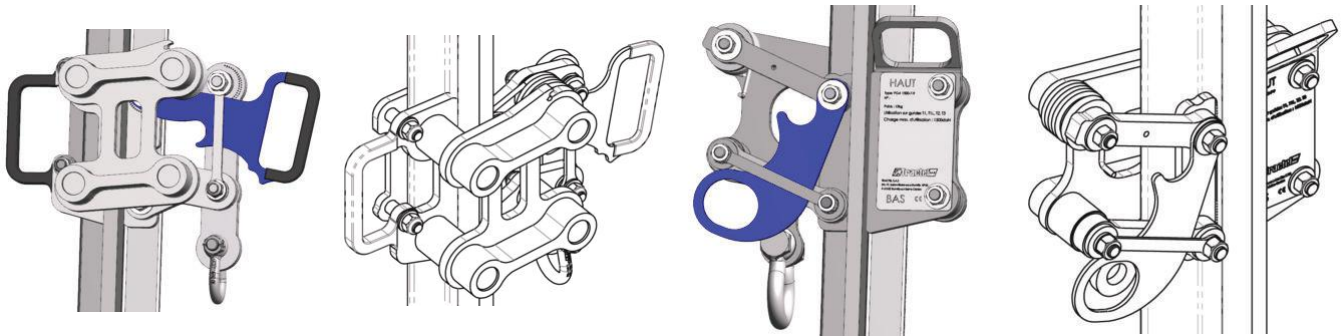
Model	WLL	Wire Rope Diameter (mm)	Length (cm)	Height (cm)	Depth (cm)	Weight (kg)	Product Code	Price
TU 6 P & BSA 15.301	600	8,3	527	265	108	13,4	24609	€1,599.00
TU 12 P & BSA 20.301	1,200	11,5	660	330	140	26,4	24619	€2,044.00
TU 24 P & BSA 35.30	2,400	16,3	676	330	156	39,1	24629	€3,197.00

For the material handling version of the Tirfor, please see page 8



Blocstop BSA

Safety parking clamp



The Safety parking clamps (SPC) are dedicated to securing lifting platforms used in the elevator industry by attaching the platform to the guiding rail. They are used as a secondary safety device, a primary safety device is mandatory.

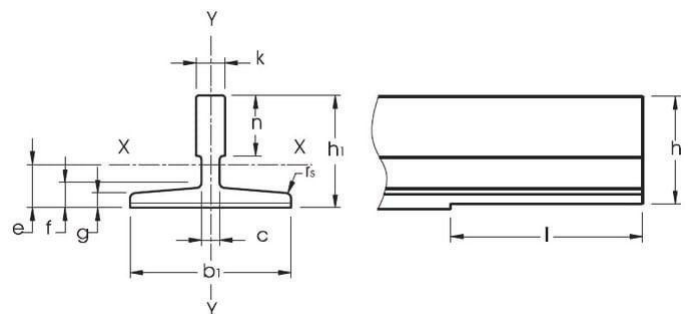
In case of breaking of the lifting cable, the platform will fall and will immediately be blocked by the clamp.

- The **back** Safety parking clamp (BSPC), is attached to the back of the guiding rail of the elevator platform.
- The back safety parking clamp has a wider range but, it requires enough free space at the back of the rail (110 mm without the shackle, ~120 mm with the shackle) to be installed, and is limited to 1.5t capacity.
- The **front** Safety parking clamp (FSPC) is attached to the front of the guiding rail of the elevator platform.
- The front safety parking clamp has a smaller range, is a bit lighter but has a higher capacity (2 t) and can be installed on every installation, since the required space behind the rail is very limited (20 mm minimum). It offers PVC covered handles to ease manipulation.

The safety parking clamps are designed to work on standard ISO 7465 rails, used for elevators. Other uses are forbidden.

Model	WLL	Weight (kg)	Product Code	Price
Front Safety Parking Clamp	2 t	9	212898	POA
Back Safety Parking Clamp	1.5 t	10.4	212928	

Product Code	T75-3	T82	T89	T90	T125	T127-1	T127-2	T140-1	T140-2	T140-3
212898	V	V	V	-	-	-	-	-	-	-
212928	V	V	V	V	V	V	V	V	-	-



Manriding trolleys



Corso push trolley for manriding

Unique in its kind: Suitable for man-riding applications in accordance with the EN1808 standard.

The Corso push trolley range can be quickly and easily assembled onto a steel beam, with both a straight and sloping flange, creating a reliable anchor point.

For additional safety, the push trolley has an integrated brake to park the trolley in a fixed position. An extension stick is available as an accessory for remotely tightening the brake.

- Suitable for man-riding applications
- In accordance with the EN1808 -2006/42/EC directive
- Range 500 to 3,000 kg
- With integrated brake
- Perfect stability
- Suspension eye
- Simple adjusting device

Model	WLL manriding	Weight (kg)	Flange Width (mm)	Min.Radius (mm)	Product Code	Price
PT 0,5	500	8.5	62 - 220	900	183019	€820.00
PT 0,5	500	10	220 - 300	900	183029	€1,163.00
PT 1,0	1000	10.5	58 - 220	1000	183039	€684.00
PT 1,0	1000	14	220 - 300	1000	183049	€1,109.00
PT 2,0	2000	18	68 - 220	1200	183059	€857.00
PT 2,0	2000	21.6	220 - 300	1200	183069	€1,030.00
PT 3,0	3000	32	74 - 220	1300	183079	€1,167.00
PT 3,0	3000	35	220 - 300	1300	183089	€1,424.00



Corso beam clamp for manriding


Unique in its kind: Suitable for man-riding applications in accordance with the EN1808 standard.


The Corso spindle beam clamp range can be quickly and easily assembled onto a steel beam, creating


a reliable anchor point. To be used in combination with the Tirak or Tirfor man-riding applications.

- Man-riding transport
- Range 1,000 to 7,000 kg
- In accordance with the EN1808 - 2006/42/EC directive
- Perfect stability
- Suspension eye
- Simple adjusting device

Model	WLL manriding	Weight (kg)	Flange Width (mm)	Product Code	Price
LT-1B	1000	4.8	75 - 230	183209	€143.00
LT-2B	2000	5.6	75 - 230	183219	€164.00
LT-3B	2500	11	80 - 330	183229	€229.00
LT-5B	3000	12.3	80 - 330	183329	€302.00
LT-10B	7000	21	80 - 320	183249	€756.00

 Order products on day 1, will be shipped no later than day 2,

 Order products on day 1, will be shipped no later than day 6. Maximum quantities apply for this service.

 Available on request. Please enquire about delivery times of these items.

Manriding trolleys

Corso manual/geared trolley for manriding

Unique in its kind: Suitable for man-riding applications in accordance with the EN1808 standard.

The Corso manual/mechanical trolley can be quickly and easily assembled onto a steel beam, with both a straight and sloping flange, creating a reliable anchor point. For additional safety, the trolley has an integrated brake to park the trolley in a fixed position.

An extension stick is available as an accessory for remotely tightening the brake. Equipped with a galvanized manual chain 5x24 mm, operating height 3m.

- Suitable for man-riding applications
- In accordance with the EN1808 -2006/42/EC directive
- Range 1,000 to 3,000 kg
- With integrated brake
- Perfect stability
- Suspension eye
- Simple adjusting device

Model	WLL manriding	Weight (kg)	Flange Width (mm)	Min.Radius (mm)	Product Code	Price
DT 1,0	1000	19,8	58 - 220	1000	183099	€830.00
DT 1,0	1000	20.5	220 - 300	1000	183109	€997.00
DT 2,0	2000	22.5	66 - 220	1200	183119	€968.00
DT 2,0	2000	24	220 - 300	1200	183129	€1,374.00
DT 3,0	3000	37.5	74 - 220	1300	183139	€1,517.00
DT 3,0	3000	39	220 - 300	1300	183149	€1,972.00



Order products on day 1, will be shipped no later than day 2,



Order products on day 1, will be shipped no later than day 6. Maximum quantities apply for this service.

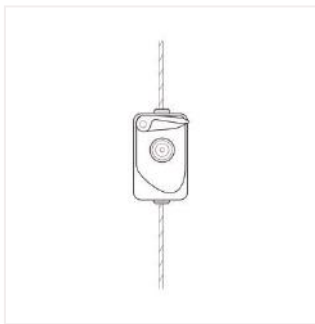


Available on request. Please enquire about delivery times of these items.





Fall arrest device Blocstop



An additional safety system in accordance with DIN EN 1808 is mandatory in man riding applications. The system is used to secure the work basket or the platform on which personnel are working against falling.

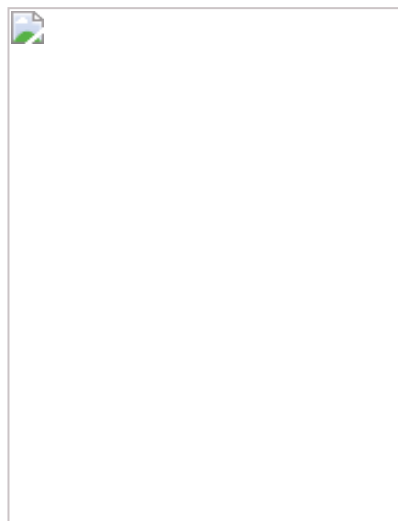
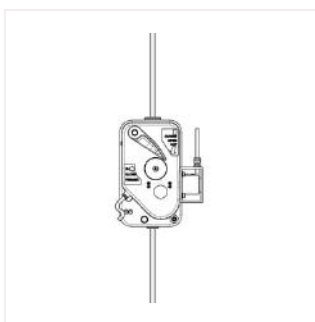
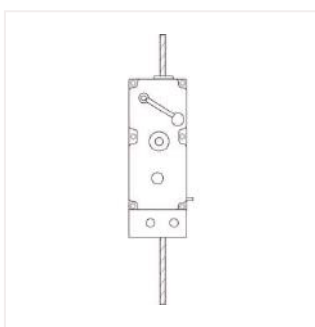
That is precisely what our Blocstop BSO does. It is small, light and compact and attached to the working platform where the safety rope runs through it.

If the movement of the safety rope exceeds a specified speed then the BSO triggers automatically and securely catches the load. The safety rope is held between the clamping jaws, preventing the rope from slipping any further. However, the surface of the clamping jaws is large enough to prevent damage to the rope. The Blocstop is designed in such a way that the clamping jaws grip tighter, the higher the load on the rope.

Furthermore, the Blocstop has been tested using many times the nominal load in order to ensure an extremely large safety margin.

All of the BSO models can be equipped with an electric switch which immediately switches off the Tirak if triggered, for example.

This option increases safety in the event of an emergency stop as it prevents rope slack above the platform.



Fall arrest Blocstop

An additional safety system in accordance with EN 1808 is mandatory in man riding applications. The system is used to secure the work basket or platform against falling.

That is precisely what our Blocstop does. They are small, light and compact and attached to the working platform where the safety rope runs through it.

BSO – Blocstop for the detection of overspeed:

If the movement of the safety rope exceeds a specified speed, then the BSO triggers automatically and securely catches the load. The safety rope is held between the clamping jaws, preventing the rope from slipping any further. However, the surface of the clamping jaws is large enough to prevent damage to the rope. The Blocstop BSO is designed in such a way that the clamping jaws grip tighter, the higher the load on the rope.

Furthermore, the Blocstop BSO has been tested using many times the nominal load in order to ensure an extremely large safety margin.

We are constantly working to improve our products. With the 2021 generation of BSO, we were able to reduce the shock factor in case of a fall.



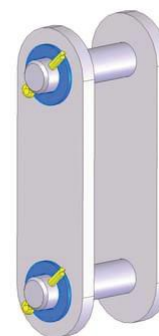
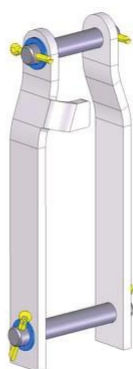
Model	Forward Speed (m/min)	Wire Rope Diameter (mm)	WLL manriding	Description	Product Code	Price
BSO 500 P	30	8	600	-	291569	€1,395.00
BSO 500E P	30	8	600	with limit switch and 2m cable fitted with plug for tirak connection	291579	€1,511.00
BSO 520 P	30	9	600	-	291589	€1,499.00
BSO 520E P	30	9	600	with limit switch and 2m cable fitted with plug for tirak connection	291599	€1,497.00
BSO 1020 P	30	9	800	-	291609	€1,997.00
BSO 1020E P	30	9	800	with limit switch and 2m cable fitted with plug for tirak connection	291619	€2,272.00
BSO 1020EFA P	30	9	800	with remote triggering of the BSO	291629	€4,858.00
BSO 1030 P	30	10	1000	-	291639	€2,043.00
BSO 1030E P	30	10	1000	with limit switch and 2m cable fitted with plug for tirak connection	291649	€2,449.00
BSO 1030EFA P	30	10	1000	with remote triggering of the BSO	291659	€5,333.00
BSO 1040 P	30	11	1200	-	291669	€2,033.00
BSO 1040E P	30	11	1200	with limit switch and 2m cable fitted with plug for tirak connection	291679	€2,262.00
BSO 1040EFA P	30	11	1200	with remote triggering of the BSO	291689	€5,090.00
BSO 2050 P	30	14	2000	-	291699	€4,742.00
BSO 2050E P	30	14	2000	with limit switch and 2m cable fitted with plug for tirak connection	291709	€5,844.00
BSO 2050EFA P	30	14	2000	with remote triggering of the BSO	291719	€7,264.00

Fall arrest Blocstop BSO

Model	Forward Speed (m/min)	Wire Rope Diameter (mm)	WLL manriding	Description	Product Code	Price
BSO 2460 P	30	16	2400	-	291789	€2,578.00
BSO 2460E P	30	16	2400	with limit switch and 2m cable fitted with plug for tirak connection	291799	€3,958.00

Set of straps

Model	Product Code	Price
straps for BSO 510 - 1044	42517	€136.80
straps for BSO 2050 - 3060	198247	€132.40

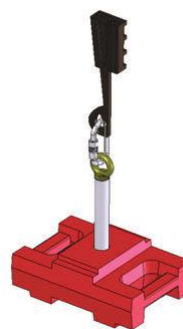


Counterweights

Model	Product Code	Price
Counterweight for BSO 510-1044	21488	€86.50
Counterweight for BSO 2050-3060	199487	€1,009.00



Counterweight for BSO 510 - 1044



Counterweight for BSO 2050 - 3060

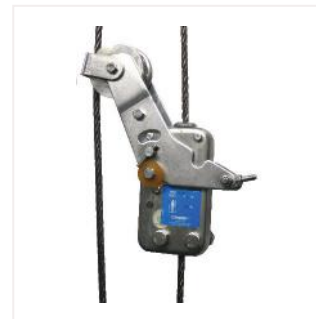
The Blocstop family includes two additional models: the BSA and the BS.

In contrast to the BSO, the BSA's clamping jaws are not triggered by excessive speed but rather by monitoring the suspension rope. The BSA is held open by a lever which is supported on the suspension rope by a roller. If the suspension rope breaks then this support stops and the BSA closes. In precisely the same way as the BSO, the clamping jaws clamp the safety rope and prevent the load or the platform from falling.

On platforms with two suspension points, arranging the suspension and safety ropes in parallel enables the system to monitor the tilt of the platform. If one side of the platform descends then the BSA closes on the lower side, catching the platform before the tilt reaches a critical angle.

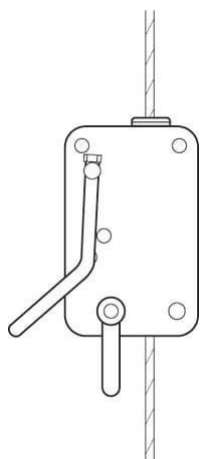
Fall arrest Blocstop BSA

Model	WLL manriding	WLL	Wire Rope Diameter (mm)	Product Code	Price
BSA 15.301	600	600	8,3	3279	€739.00
BSA 20.300	600	600	8,3	15939	€802.00
BSA 15.303	800	800	9.5	6019	€895.00
BSA 20.303	800	800	9.5	15949	€915.00
BSA 20.304	1000	1,000	10.2	6039	€906.00
BSA 20.301	1200	1,200	11.5	15049	€974.00
BSA 35.304	2000	2,000	14.3	35329	€1,159.00
BSA 35.30	2400	2,400	16.3	17999	€821.00

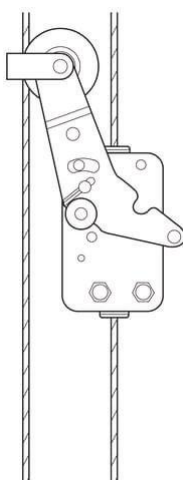


Blocstop BS load arrester

Model	WLL	Wire Rope Diameter (mm)	Product Code	Price
BS 15-301	800	8,3	3219	€755.00
BS 20-300	800	8,3	15929	POA
BS 20-303	1,000	9,5	3239	€768.00
BS 20-301	1,600	11,5	3129	€780.00
BS 35-304	3,000	14,3	35319	€851.00
BS 35-300	3,200	16,3	3149	€811.00



Blocstop BS



Blocstop BSA



Order products on day 1, will be shipped no later than day 2.



Order products on day 1, will be shipped no later than day 6. Maximum quantities apply for this service.



Available on request. Please enquire about delivery times of these items.

Platforms

Rotorblade maintenance platform UVM10L

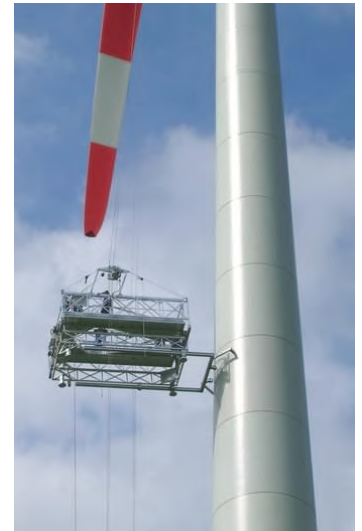
The Blade Maintenance Platform UVM10L is used as a rotor blade traversing system for the temporary inspection of rotor blades in wind energy systems fitted on circular steel or concrete towers. The UVM10L is an easy to install solution to reach most of the installed blades of about 2MW turbines.

UVM10L consists of three main functional groups and it is made entirely from welded aluminium:

- Two asymmetric working half-platforms connected to the base frame by an undercarriage. They can be moved apart or closer together separately or at the same time in order to adjust them precisely to different rotor blade cross-sections.
- One base support frame with side mounted trapezoids, on which the hoist parallelograms plus Tirak rope hoists (X1030 P) and Blocstop fall arrest devices (BSO 1030 EFA) are fitted
- An electric positioning frame with adjustable bumper rollers ensures a stable ascent and descent along the turbine mast

UVM10L main safety features among many others are:

- Automatic triggering of the Blocstop fall arrest device in case of inclination of the platform and overspeed
- Emergency Power Supply: if power supply fails an emergency descent is always possible
- Sliding clutches : the gear motors for the two platform halves are fitted with sliding clutches to prevent damage if any of the components are blocked during intentional movement
- The parallelogram inclination can be adjusted using the Bravo lever hoists and this ensures that the platform's centre of gravity can be re-aligned at anytime. Monitoring of the wind speed and visual alarm for the operators.



Model	Lifting Height (m)	Frequency (Hz)	Voltage (V)	Product Code	Price
UVM10L 50Hz 130m	130	50	400	282009	€124,637.00
UVM10L 50Hz 150m	150	50	400	282029	€125,305.00
UVM10L 50Hz 130m asym	130	50	400	282049	€126,019.00
UVM10L 50Hz 150m asym	150	50	400	282069	€126,687.00

Accessories for UVM 10L

Model	Product Code	Price
Transport trailer SP 3502	188335	€41,210.00
Counterweight for trailer	187687	POA
tower support 1,6 m	202127	€3,205.00
tower support 2,0 m	229337	POA
tower support 3,0 m	229347	POA
Protection bush for rope through	200765	€115.00
Limit switch adjustment for external overload	196427	POA
Hoisttrapezoid 1000 kg	196397	POA
Hoisttrapezoid 1250 kg	196407	POA
Blade support	202147	POA
Control set 50 Hz 2,4 GHz	240067	POA
Control Set 60 Hz 2,4 GHz	240077	POA

Platform C5 & CT5

C5 & CT5 platforms have been especially developed to be used inside or outside for temporary inspection of wind energy systems (e.g. on round steel or concrete towers of wind turbines or chimneys). The platform are designed to be compact. The maximum lifting capacity of the C5 platform is 240kg.

Main advantages:

- Proven Tirak technology,
- Low weight,
- No assembly time,
- Low installation height.

C5-1L

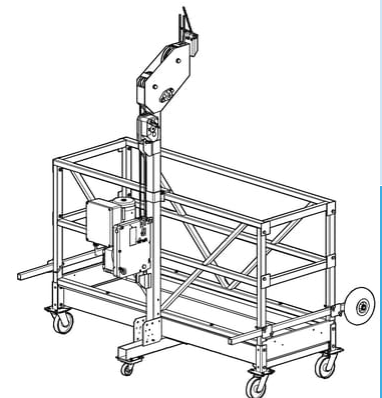
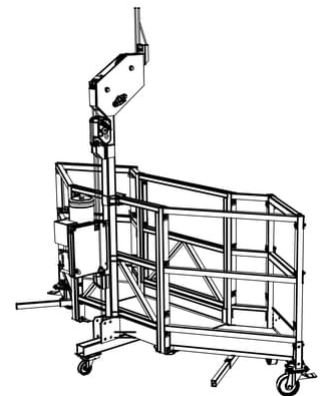
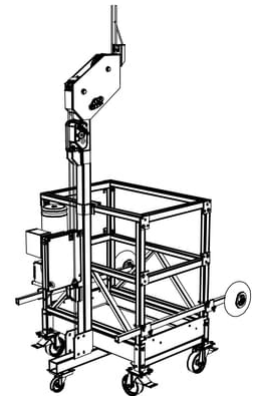
Model	Voltage (V)	Frequency (Hz)	Wire Rope Diameter (mm)	WLL manriding	Product Code	Price
C5 1L	400	50	8	240	259459	POA
C5 1L	690	50	8	240	259559	POA
C5 1L	400	50	9	240	110269	POA
C5 1L	690	50	9	240	259619	POA
C5 1L2W	400	50	8	240	212699	€29,940.00
C5 1L2W	690	50	8	240	259569	POA
C5 1L2W	400	50	9	240	259509	POA
C5 1L2W	690	50	9	240	259629	POA

C5-1L2W

Model	Voltage (V)	Frequency (Hz)	Wire Rope Diameter (mm)	WLL manriding	Product Code	Price
C5 2L	690	50	8	240	259549	POA
C5 2L	400	50	9	240	110279	POA
C5 2L	690	50	9	240	259609	POA
CT5 1L	400	50	8	300	212689	€21,617.00
CT5 1L	400	50	9	300	212749	POA
CT5 1L	690	50	8	300	212799	POA
CT5 1L	690	50	9	300	212859	POA
CT5 1L2W	400	50	8	300	259469	POA

C5-2L

Model	Voltage (V)	Frequency (Hz)	Wire Rope Diameter (mm)	WLL manriding	Product Code	Price
CT5 1L2W	690	50	8	300	212809	POA
CT5 1L2W	400	50	9	300	110289	€31,552.00
CT5 1L2W	690	50	9	300	212869	POA
CT5 2L	400	50	8	300	212649	€22,839.00
CT5 2L	690	50	8	300	212789	POA
CT5 2L	400	50	9	300	212739	€23,087.00
CT5 2L	690	50	9	300	212849	POA



Order products on day 1, will be shipped no later than day 2,



Order products on day 1, will be shipped no later than day 6. Maximum quantities apply for this service.

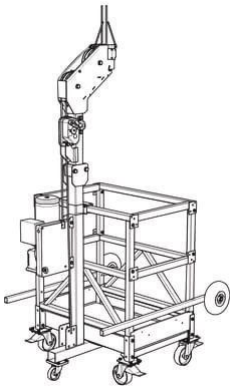


Available on request. Please enquire about delivery times of these items.

Platform CT5

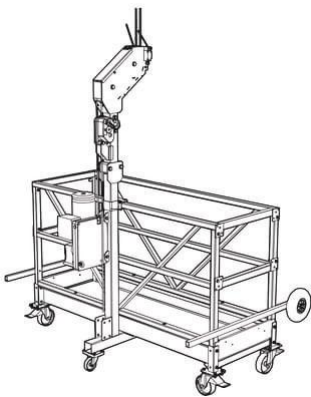
In addition to the C5 platform advantages and features, the CT5 platforms include a foldable support frame easing the transportation.

CT5-1L



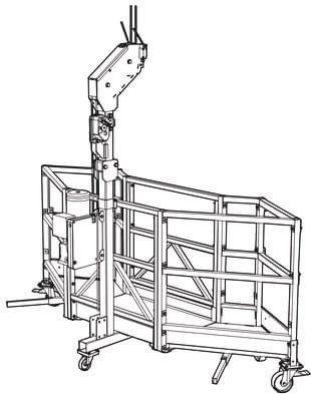
Model	Voltage (V)	Frequency (Hz)	Wire Rope Diameter (mm)	WLL manriding	Product Code	Price
CT5 1L	400	50	9	300	212749	POA
CT5 1L	690	50	8	300	212799	POA
CT5 1L	690	50	9	300	212859	POA
CT5 1L2W	400	50	8	300	259469	POA

CT5-1L2W



Model	Voltage (V)	Frequency (Hz)	Wire Rope Diameter (mm)	WLL manriding	Product Code	Price
CT5 1L2W	690	50	8	300	212809	POA
CT5 1L2W	400	50	9	300	110289	€31,552.00
CT5 1L2W	690	50	9	300	212869	POA
CT5 2L	400	50	8	300	212649	€22,839.00

CT5-2L



Model	Voltage (V)	Frequency (Hz)	Wire Rope Diameter (mm)	WLL manriding	Product Code	Price
CT5 2L	690	50	8	300	212789	POA
CT5 2L	400	50	9	300	212739	€23,087.00
CT5 2L	690	50	9	300	212849	POA



Order products on day 1, will be shipped no later than day 2.



Order products on day 1, will be shipped no later than day 6. Maximum quantities apply for this service.



Available on request. Please enquire about delivery times of these items.

Suspension equipment

Portafix A

Model	Product Code	Price
Portafix A	61408	€3,658.00
Portafix B	61368	POA
Portafix C	61428	€5,192.00



Accessories for Portafix C


Model	Product Code	Price
Complement for portafix C	61328	€1,473.00
Counterweight 25kg	3378	€216.00
Front cross bar extension for Portafix C	71347	POA
Guying wire rope + anchor brackets for portafix	3278	€875.00
Mobile counterweight cross bar + locking system	61388	€786.00
Mobile front cross bar with height adjuster	61338	€453.00
Portafix counterweight table plate	84295	€24.50
Portafix assembly instructions plate	84615	€14.00
Rear castor wheel (without brake)	47836	€157.00
Rear height adjuster	3348	€297.00
Rear safety anchor assembly complete	3268	€298.00
Reinforcing bracket	7827	€470.00
Standard telescopic jib complete	3308	€1,067.00


Omega parapet clamp


OMEGA parapet clamp is a temporary access solution when the parapet is sufficiently strong (reinforced concrete etc), it can be directly attached on it. It is delivered ready for use, with rollers allowing easy transversal motion.

Model	Product Code	Price
Omega parapet clamp	8698	
Rear safety anchor assembly complete	3268	€321.00



 Order products on day 1, will be shipped no later than day 2,

 Order products on day 1, will be shipped no later than day 6. Maximum quantities apply for this service.

 Available on request. Please enquire about delivery times of these items.

Working baskets



Solo platform for temporary access

Solo work platform equipped with Tirak X-300P series electric hoist.

Supplied as a kit to be assembled.

Suspension wire ropes and electrical cable to be supplied separately.

Model	Product Code	Price
Solo with Tirak X-300P - 3PH - 50Hz	55609	€16,302.00
Solo with Tirak X-301P - 1PH - 50Hz	55619	€17,108.00



Solo components and accessories

Model	Product Code	Price
Ballast weight 9.5 kg	21488	€79.00
Buffer plate for limit switch	7488	€70.60
Foam facade protection roller dia. 145x 240 mm	7758	€598.00
Lower stirrup for Tirak X-300	27737	POA
Pneumatic facade protection wheel on sliding bar	3438	€293.50



Working seats

Solsit motorised work seat

The Solsit, motorised seat for inspection and maintenance, has been specifically designed for man riding applications.

The Solsit is suitable for many light jobs and is fitted with a Tirak X-300P series hoist (single or 3 PH, 50 or 60 Hz, on request).

The working height is limited only by the length of the wire rope supplied.

Supplied as an assembly including ballast weight, quality control and testing.

Suspension wire rope and electrical cable to be supply separately.



Model	Product Code	Price
Solsit with Tirak X-300P - 3PH - 50Hz	55649	€21,959.00
Solsit with Tirak X-301P - 1PH - 50Hz	55659	€22,521.00

Solsit components & accessories

Model	Product Code	Price
Set of 2 rubber roles	14828+A3326LA1:H3420	POA
Work seat with belt and handle, without tirak™/BSO and accessories	14798	€2,224.00

Subito manual work seat

The Subito seat is a one-man suspended work seat used for temporary work purposes such as inspection, maintenance and cleaning at height.

Supplied as an assembly including ballast weight, quality control and testing.


Suspension wire rope and electrical cable to be supply separately.


Model	Product Code	Price
Subito with Scafor	25429	€4,821.00




Subito components & accessories

Model	Product Code	Price
Scafor 406, 120 kg, Ø 6,5mm	16408	€2,651.00
Subito frame with wheels	28398	€217.00

 Order products on day 1, will be shipped no later than day 2.

 Order products on day 1, will be shipped no later than day 6. Maximum quantities apply for this service.

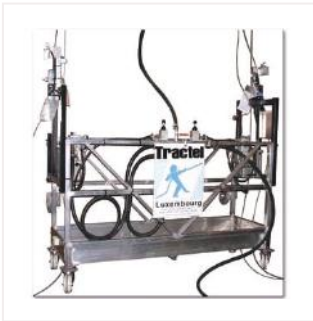
 Available on request. Please enquire about delivery times of these items.

Platform ALTA

Alta L and Alta S



ALTA L



ALTA S

The suspended working platform installation kit consists of

- Platform Alta L or Alta S equipped with electric winch Tirak or manual winch Scafor
- Wire ropes with Blocstop BSO fall protection attached to Portafix or Omega

Modular design.

The unique concept of these aluminium platforms consists in the fact that working platforms of 2 and 3 m, working platforms from 2 to 18 m in length can be constructed.

Robust and lightweight.

Weight is an important consideration and for this reason the platforms and railings are made of aluminium.

For safety reasons, the yokes and connecting components are made of galvanised steel.

These platforms are an excellent alternative to classic scaffolding as they can easily reach all places on the facade of a building. They are a good long-term investment as they are light, safe, easy to assemble and, most importantly, very durable and of high quality.

Two models available depending on the type of work to be carried out and demand:

Alta L

A model perfectly suited to lighter work such as painting, renovation, small installations or repairs or window cleaning.

Technical data:

- For 2 up to 6 users
- Length: up to 15 m
- Internal width: 0.6 m
- Maximum working load: 120kg/m

Alta S

Reinforced model for use during construction work, installation of stone facades, accessing chimneys and silos etc. It is perfect for hire.

Technical data:

- For 2 up to 8 users
- Length: up to 18 m
- Internal width: 0.68 m
- Maximum working load: 140kg/m

Three types of stirrups to meet the customers' requirements:

End stirrups

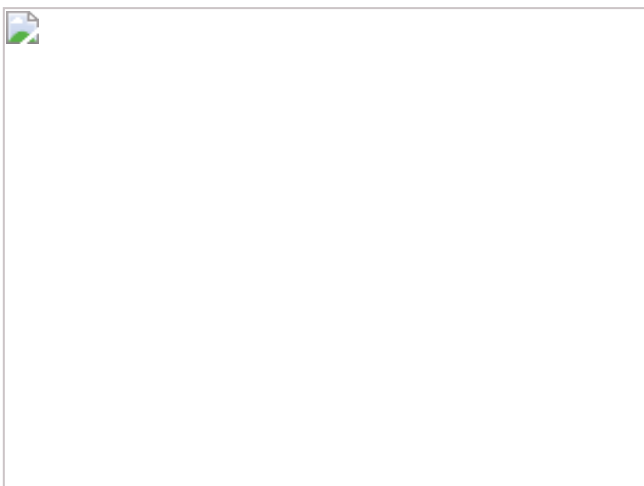
Economical and lightweight solution. Up to 12m for Alta L and up to 15m for Alta S.

Frame stirrups

Ends are clear and accessible. Upper part is compatible with the end stirrups. Maximum length are 15m for Alta L and 18m for Alta S.

Folding C stirrup

Placed at the rear of the platform, behind the workers. Ends are clear and easily accessible. Maximum length are 15m for Alta L and 18m for Alta S.



General conditions of use

Of Tractel Benelux B.V. (hereafter referred to as "Tractel") in BREDA.

Article 1 Applicability

Para 1 - These General Conditions apply to all offers from Tractel and all agreements with Tractel.

Para 2 - Any deviating arrangements will be effective only insofar as they have been confirmed by Tractel in writing.

Article 2 Offers and Agreement

Para 1 - The offers and quotations from Tractel are without any obligation, unless the opposite has been determined expressly in writing.

Para 2 - Where an order is placed by the customer without a prior offer by Tractel, an agreement will become effective only if Tractel confirms the order in writing within eight days of receipt or actually executes the order. If the agreement is concluded in writing, it will become effective on the day it is signed by Tractel.

Para 3 - Oral promises by and arrangements with employees of Tractel will be binding on Tractel if and insofar as they have been confirmed by a legally authorised representative of Tractel.

Article 3 Prices

Para 1 - Prices are ex VAT. If the cost factors (including the costs of wages and materials) are subject to an increase between the conclusion of the agreement and the date of delivery, Tractel will be entitled to increase the prices accordingly.

Article 4 Payments

Para 1 - Payments must be received by Tractel within 14 days of the invoice date at the latest, unless a different term has been agreed in writing. Payments must be made without any deduction or set-off and without suspension due to an alleged or actual nonconformity on the part of Tractel. The prices stated are in euros and ex VAT.

Para 2 - If payment does not take place within the term defined in paragraph 1, the customer will be in default without further notice of default, and will owe default interest at 1% a month from the invoice's due date, without prejudice to the other rights of Tractel.

Para 3 - Tractel is entitled to demand adequate security prior to delivery, irrespective of the agreed payment conditions. Where such security is not provided, Tractel will be entitled to suspend further performance of the agreement.

Para 4 - Any legal and other costs to be incurred by Tractel in order to ensure compliance with the payment obligation of the customer will be payable by the customer. Those costs are at least 15% of the outstanding amount, with a minimum of € 50, such without prejudice to Tractel's right to claim the higher, actual damages

Article 5 Retention of title

Para 1 - Any goods already delivered will remain the property of Tractel until the customer has complied in full with all its payment obligations arising from any agreement between parties, without prejudice to the customer's obligation to pay in good time. The customer will be liable for any damage done to the delivered goods, which have remained the property of Tractel under this provision.

Para 2 - If the customer fails to comply with its payment obligations or fails to do so in good time, Tractel will be irrevocably authorised to repossess the goods which are its property on the basis of the previous paragraph, without any notice of default or judicial intervention being required.

Para 3 - The customer will not be authorised to permit third parties to use the goods, to rent out, pledge or transfer the ownership of the goods, or to dispose of or encumber the goods in any other manner, until they have been paid for in full. However, the customer is entitled to sell, rent out or deliver the goods, in accordance with their purpose, within the context of its normal business activities.

Para 4 - The customer is not entitled to a right of retention or a right of suspension in respect of the delivered goods.

Article 6 Delivery dates

Para 1 - Delivery dates are stated to the best of Tractel's knowledge, but those dates will never be absolute deadlines. In the event of failure to deliver in time, the customer must demand delivery in writing, whereby Tractel will be given a reasonable extension of the delivery date of at least 14 days.

Para 2 - If the extended term referred to in paragraph 1 is also exceeded, the customer will be entitled to dissolve the agreement without written notice insofar as no delivery has as yet taken place, without Tractel being held to pay any damages in such case. Tractel will then be entitled to invoice that part of the agreement that has already been fulfilled separately, and the customer must pay those invoices as if they concerned a separate agreement.

Article 7 Delivery

Para 1 - The time when the goods leave Tractel's warehouse (ex warehouse) applies as the delivery time and the time when the risk is transferred to the customer.

Para 2 - Unless otherwise has been agreed in writing, dispatch will take place at the expense and risk of the customer. If delivery takes place from the company premises of a third party, dispatch will be at (the expense and) risk of the customer, from the moment when the goods have left the company premises of said third party. The provisions of this paragraph also apply where transport is organised by – whether or not at the expense of – Tractel.

Article 8 Force majeure

Para 1 - Any unforeseen circumstances, such as disruptions and impediments affecting the business operations of Tractel and/or the suppliers of Tractel, for example strike actions, lockouts, export and import bans or restrictions, attachments of any kind and for whatever reason, fire, accidents or new relevant legal provisions, constitute force majeure and entitle Tractel to suspend or cancel its delivery obligations in full or in part.

Article 9 Warranty

Para 1 - The warranty period for the delivered goods is 12 months, beginning at the time of delivery (see Art. 7).

Para 2 - If any defects as a consequence of manufacturing and/or material faults occur within the warranty period defined in paragraph , Tractel will repair those defects or make available the parts necessary for repair, replace the goods in question in full or pay a maximum of the invoice value of the goods, such to be decided by Tractel. Any call-out charges to be incurred by Tractel in that respect or any transport/ dispatch costs are not covered by the warranty.

Para 3 - Any goods returned in connection with a warranty can be accepted only if Tractel has agreed thereto in writing and if the receipt number or invoice number and date of the returned goods are included.

Para 4 - Any claims under a warranty must be reported (in writing) to Tractel within 8 days of the occurrence of the defect. In the absence of a timely claim, any entitlement under a warranty will no longer apply.

Para 5 - Not included in a warranty issued by Tractel are, in any case, any defects occurring in, or fully or partially the consequence of: failure to observe the user manual, operating instructions, etc., and/or any use other than the intended normal use; normal wear and tear; assembly/ installation or repair by third parties, the application of any government regulation concerning the nature or quality of the used materials; and any parts obtained by Tractel from third parties, insofar as those third parties have not issued a warranty to Tractel.

Para 6 - If the customer fails to comply with its contractual obligations, or fails to do so properly or in good time, Tractel will not be held to issue any warranty or pay any damages, of whatever description.

Article 10 Complaints

Para 1 - The customer must, at the risk of forfeiting all its rights, report to Tractel (in writing, stating a receipt or invoice number), any defects/faults that could be discovered or reasonably should have been discovered during a thorough inspection within 8 days of delivery. Where parties have agreed an inspection period and that period has lapsed without any written complaints about any defects/faults that have been identified or reasonably should have been identified, the good will be considered to have been accepted.

Para 2 - Any complaints about invoices must be submitted in writing within eight days of the date on the invoices.

Para 3 - Any deviations and differences in colour, size and weight that are minor and/or common in the sector can never provide a ground for complaints.

Article 11 Liability

Para 1 - Any liability on the part of Tractel for any damage arising from or relating to the execution of an agreement will always be limited to the amount paid in the relevant case under the product and professional indemnity insurance it has effected, increased by the amount of the excess which, according to the policy conditions, is not payable by the insurer.

Para 2 - If, for whatever reason, the provisions of para. 1 of this article do not apply, the liability of Tractel will always be limited to the amount that was charged for the agreement with regard to which the damage was inflicted, or in the event of a continuing performance contract, to an invoice amount over a max. period of six months. The compensation referred to in this para will never exceed € 25,000.

Para 3 - Tractel will never be liable for any consequential damage or for any damage that is the consequence of:

- incorrect and/or incomplete data and/or data not provided in time, originating from the customer;

- failure to observe the user manual / operating instructions and/or improper use.

Para 4 - The limitation of liability stipulated in this article does not apply if the damage is the consequence of intent or wilful recklessness on the part of Tractel and/or its – whether or not subordinate – supervisory staff.

Para 5 - After the lapse of one year after commencement of the day following that on which the customer became aware of the damage, or could reasonably been aware of this, any right of action on the part of the customer will cease.

Para 6 - The Seller shall not be liable for delay or failure to perform one of its obligations under the Agreement should the delay or failure be the direct or indirect result from circumstances which are beyond its reasonable control and independent from its will such as - but not limited to - disease outbreaks or pandemics (covid-19, etc.).

Para 7 - The Seller (Tractel) shall make its best efforts to determine which of its obligations it is being prevented from complying with, and when possible will give an estimate of the period during which it is likely that it shall be prevented from complying with the said obligation or obligations. The Parties undertake to get in contact before the end of such period to jointly determine the consequences on the timetable, the financial aspects and practicalities to resume works. In any case, the Purchaser will not be able to cancel any order, as long as the delays resulting from the said circumstances not exceed 3 months from its date of notice.

Article 12 Dissolution

Para 1 - In the event of the bankruptcy or suspension of payments of the customer, or any petitions to that effect, or an attachment is made of the customer's assets, Tractel will be entitled to dissolve the agreement by means of a written notification, without any notice of default or any judicial intervention being required.

Para 2 - If one or more of the situations mentioned in paragraph 1 occurs or occur, Tractel will be entitled to halt the (further) deliveries under a (partially completed) order, without any right arising from the agreement being invalidated as a result. Neither does continuation of the deliveries imply the relinquishment of any right.

Article 13 General

Para 1 - If it becomes evident that one or more provisions from these General Conditions are invalid, or if, for whatever reason, it is impossible to demand compliance with them, the other provisions of these General Conditions will remain in full force, and parties will consult with one another about the invalid provision or the provision with regard to which it is impossible to demand compliance, and discuss the way in which the purport of the relevant provision can be enforced in the best possible manner.

Article 14 Disputes

Para 1 - Any disputes relating to the offers issued by Tractel and/or agreements concluded with Tractel will be settled exclusively by the competent judge in the judicial district of the Zeeland - West-Brabant District Court in the Netherlands.

Para 2 - All offers and quotations from Tractel and agreements concluded with Tractel and all contracts arising from them are governed exclusively by Dutch law. The applicability of the Vienna International Sales Convention (CISG) and any other international sales conventions is excluded.

Article 15 Deposition

Para 1 - These General Conditions of Sale have been deposited with the Chamber of Commerce and Industry in Breda, the Netherlands, under no. 20086113. 20086113.

EP blocks
page 77



Tirope
page 318



Door anchor 150 kg
page 236



Tracpode Pro
page 311



Tractel office

Tractel Benelux B.V.

Paardeweide 38a-40

4824EH Breda

Tel.: +31 (0)76 543 5135

E-mail: sales.benelux.tractel@alimakgroup.com

www.tractel.com