



From 1t to 12.5t



0.5% accuracy



Powered 2 x Type C



Digits 30 mm height



ON/OFF, Tare, Units
& Peak functions



Infrared remote control



DESCRIPTION

The Dynascale is designed and manufactured by Tractel®. The Dynascale is a versatile and robust digital crane scale, used in various weighing on a crane. Based on the principle of strain gauge extension measurement, the sensor generates an electrical signal which is processed and analyzed by a built-in microprocessor, which transmits the information to the integrated display.

Available with two shackles as standard, or with hook on option, the Dynascale ensures a perfect implementation in your applications.

APPLICATIONS

- Overhead Weighing
- Force measurement testing
- Safety and lifting applications

FUNCTIONALITIES

The Dynascale is a complete autonomous digital crane scale with integrated functions:

- On/Off
- Tare
- Peak hold
- Units change (kg, daN, lbs)
- Automatic zeroing
- Automatic stop without load or variation (20 min). Removal of automatic stop available as option
- Infrared remote control (Off, Tare, Peak hold, Units change)

ACCESSORIES

The Dynascale is compatible with:

- Eye hook with safety latch
- Swivel hooks



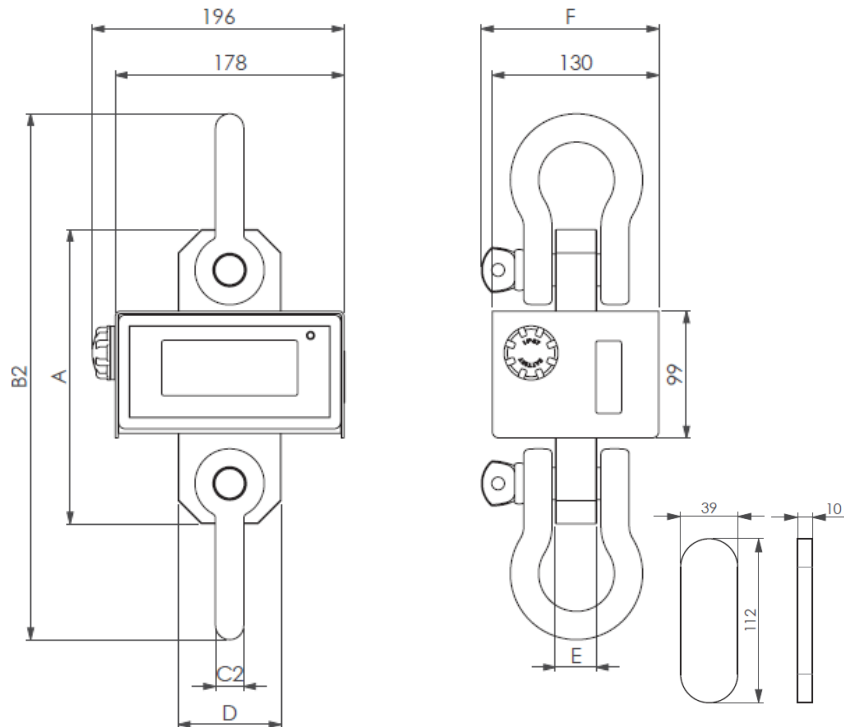
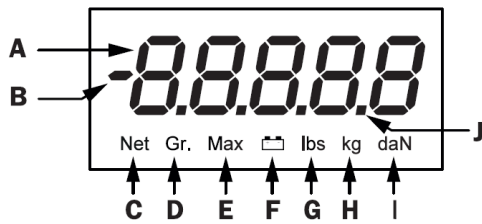
APPLICABLE STANDARDS

Machinery : 2006/42/CE
EMC : EN 61326-1 (2013) / IEC 61311 (2007)

CODES

Code	Description	EAN Code
299089	Dynascale 1t (incl. remote control)	3600232990895
299099	Dynascale 3.2t (incl. remote control)	3600232990994
299109	Dynascale 6.5t (incl. remote control)	3600232991090
299119	Dynascale 12.5t (incl. remote control)	3600232991199
299319	Infrared remote control	3600232993193
299289	Eye hook for Dynascale 1 and 3.2t	3600232992899
299299	Eye hook for Dynascale 6.5t	3600232992998
299309	Eye hook for Dynascale 12.5t	3600232993094

TECHNICAL CHARACTERISTICS



Letter	Designation
A	Strain value
B	Measurement sign
C	NET indicator (net value of the measurement)
D	GROSS indicator (gross value of measurement)
E	Peak Load Indicator
F	Battery Indicator
G	lbs unit indicator
H	kg Unit indicator
I	daN unit indicator
J	Decimal point

MODEL	Unit	Dynascale 1t	Dynascale 3.2t	Dynascale 6.5t	Dynascale 12.5t	Remote control
Purchasing code		299089	299099	299109	299119	299319
Maximum capacity WLL	t	1	3.2	6.5	12.5	
Safety coefficient		Minimum 4				
Minimum load		10% of WLL				
Precision	± %	0.5% at 21°C full scale				
	± kg	5	16	32.5	62.5	
Resolution	kg	1	2	5	10	
Sample rate	Hz	3 Hz - 32 Hz in "Peak Hold Mode"				
Maximum display	%	110% of WLL				
Digits height	mm	30				
Units		kg / daN / lbs				
Conversion factor		1kg = 0.98083 daN = 2.20462 lbs				

Battery life	h	50				
Net weight	kg	2.2	2.2	3	3.8	0.03
Weight including shackles	Kg	3.5	3.5	6.3	15.8	
IP Protection		IP 54				IP54
Working temperature	°C	-20°C to +50°C				
Body material		Aluminium and steel				Plastic
Type of battery		2x C				1 x CR2025
Dimensions						
A	mm	189.6	189.6	228.7	277.2	
B2		317	317	409	567.5	
C2		16.5	16.5	22	34.5	
D		43	43	80	80	
E		23	23	32	51	
F		111.5	111.5	138	193.5	