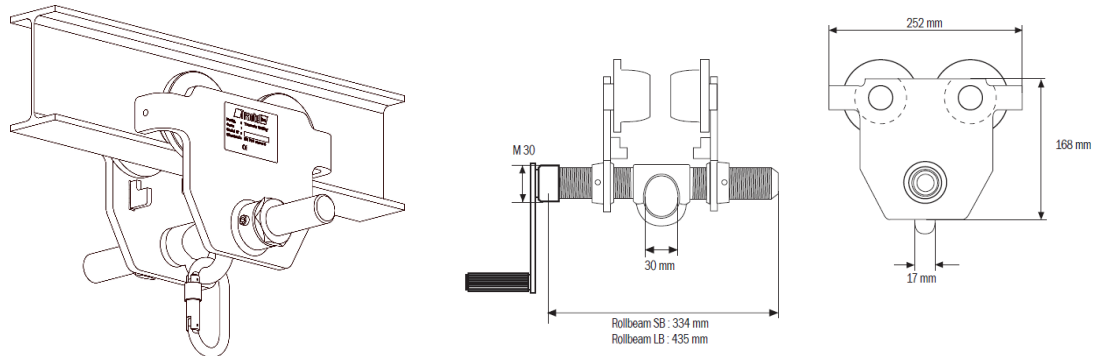


APPLICATIONS

The rollbeam anchorage device provides optimum safety against falls from height for people working under I-beams in H or T. The use of rollbeam on site or in industry as anchor point fall guaranteed to the operator a great ease of movement.



DESCRIPTION

The rollbeam anchoring device is intended exclusively for the docking of a personal protection system against falling heights, for example an energy absorbing lanyard or a retractable lanyard blocfor™. The rollbeam can be installed on the bottom flange of an I, H or T beam.

The rollbeam placement on the beam is easy thanks to the use of the removable crank provided with the equipment.

The rollbeam SB is intended to be installed on a beam I, H or T whose width is between 58 mm and 220mm

The rollbeam LB is intended to be installed on a beam I, H or T whose width is between 220 mm and 300 mm

FEATURES

The presentation characteristics of the rollbeam SB (standard anchor bare) and LB (long anchor bare) are:

- Four rollers mounted on ball bearings for ease of movement
- Anti-derailment device and safety nuts.
- Higher mechanical strength than the standard specifications.
- An anchor ring on the anchor bare compatible with a wide variety of connector for the operator connection.

APPLICABLE STANDARDS

Complies with CE EN 795 B/2012

Is compatible for a max operating load of 150kg

MAIN COMPONENTS

Code	Description	EAN Code	Weight (incl. packaging)	Packaging size
54369	rollbeam SB	3600230543697	11.7 kg	350x220x140
88559	rollbeam LB	3600230885599	12.7 kg	350x220x140